



US00D850620S

(12) **United States Design Patent** (10) **Patent No.:** **US D850,620 S**
Tyber (45) **Date of Patent:** **** Jun. 4, 2019**

- (54) **INTERVERTEBRAL IMPLANT**
- (71) Applicant: **Tyber Medical LLC**, Bethlehem, PA (US)
- (72) Inventor: **Jeffrey Tyber**, Landing, NJ (US)
- (73) Assignee: **Tyber Medical LLC**, Bethlehem, PA (US)
- (**) Term: **15 Years**
- (21) Appl. No.: **29/549,884**
- (22) Filed: **Dec. 29, 2015**

D553,742 S	10/2007	Park	
D580,552 S	11/2008	Cohen et al.	
D594,986 S	6/2009	Miles et al.	
D595,853 S	7/2009	Hanson et al.	
D599,019 S	8/2009	Pimenta et al.	
D611,147 S	3/2010	Hanson et al.	
D615,653 S	5/2010	Horton	
D616,546 S	5/2010	Vraney et al.	
D620,110 S *	7/2010	Courtney	D24/155
D620,112 S *	7/2010	Courtney	D24/155
D620,113 S *	7/2010	Courtney	D24/155
D620,116 S	7/2010	Pannu	
D621,509 S	8/2010	Lovell	
D623,747 S	9/2010	Horton	
D623,748 S	9/2010	Horton et al.	
D623,749 S	9/2010	Horton et al.	
D625,820 S	10/2010	Calverly et al.	
D627,467 S	11/2010	Pannu	
D627,468 S	11/2010	Richter et al.	
D629,104 S	12/2010	Calverly et al.	

Related U.S. Application Data

- (62) Division of application No. 29/514,420, filed on Jan. 13, 2015, now abandoned, which is a division of application No. 29/479,440, filed on Jan. 16, 2014, now Pat. No. Des. 724,213, which is a division of application No. 29/439,949, filed on Dec. 18, 2012, now Pat. No. Des. 700,332.

- (51) **LOC (11) Cl.** **24-03**
- (52) **U.S. Cl.**
USPC **D24/155**
- (58) **Field of Classification Search**
USPC D24/155
CPC A61F 2/4611; A61F 2/442; A61F 2/447;
A61F 2220/0025; A61F 2310/00023;
A61F 2310/00017; A61F 2002/4475;
A61F 2002/30841; A61F 2002/2835;
A61F 2002/30904; A61F 2002/30785;
A61F 2002/443; A61F 2002/30578
See application file for complete search history.

(56) **References Cited**

U.S. PATENT DOCUMENTS

6,245,108 B1 6/2001 Biscup
D533,277 S 12/2006 Blain

(Continued)

Primary Examiner — Charles D Hanson

(74) *Attorney, Agent, or Firm* — Joseph E. Maenner;
Maenner & Associates, LLC

(57) **CLAIM**

The ornamental design for an intervertebral implant, as shown and described.

DESCRIPTION

FIG. 1 is a top perspective view of an ornamental design of a first embodiment of an intervertebral implant showing my new design.

FIG. 2 is a bottom perspective view thereof.

FIG. 3 is a front view thereof.

FIG. 4 is a rear side view thereof.

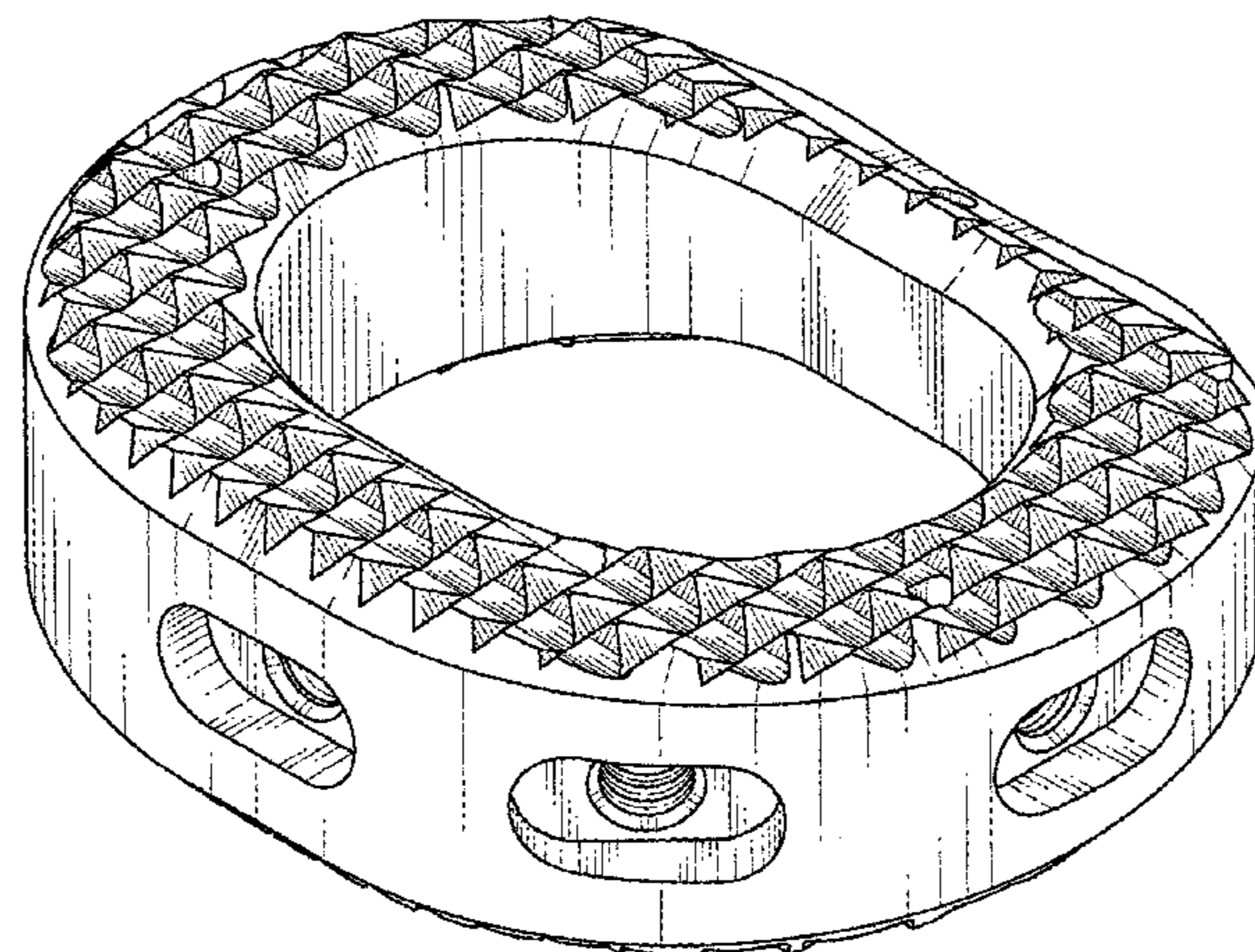
FIG. 5 is a top plan view thereof.

FIG. 6 is a bottom plan view thereof.

FIG. 7 is a left side view thereof; and,

FIG. 8 is a right side view thereof.

1 Claim, 5 Drawing Sheets



(56)

References Cited

U.S. PATENT DOCUMENTS

D629,108 S 12/2010 Richter et al.
 D630,749 S * 1/2011 Tornier D24/155
 D631,967 S 2/2011 Horton
 D637,721 S 5/2011 Horton
 D650,481 S 12/2011 Gottlieb et al.
 D653,757 S * 2/2012 Binder A61F 2/446
 D24/155
 D665,081 S * 8/2012 Hansell A61F 2/4465
 D24/155
 D671,645 S 11/2012 Curran et al.
 D674,092 S 1/2013 Lovell
 8,562,685 B2 10/2013 Ullrich et al.
 D700,332 S 2/2014 Tyber
 8,758,443 B2 6/2014 Ullrich et al.
 D708,747 S 7/2014 Curran et al.
 8,845,727 B2 9/2014 Gottlieb et al.
 D718,860 S * 12/2014 Farris D24/155
 8,900,310 B2 * 12/2014 Carlson A61F 2/446
 623/17.16
 D721,808 S 1/2015 Oi
 D722,695 S * 2/2015 Kaufmann D24/155
 D724,213 S 3/2015 Tyber

8,979,927 B2 * 3/2015 Huntsman A61F 2/4455
 623/17.11
 8,992,622 B2 5/2015 Ullrich et al.
 D731,063 S * 6/2015 VerHage D24/155
 D733,303 S * 6/2015 Peterson A61F 2/4465
 D24/155
 D735,336 S 7/2015 Lovell
 D737,446 S * 8/2015 Butler A61F 2/4455
 D24/155
 D741,488 S * 10/2015 Tohmeh D24/155
 9,198,774 B2 * 12/2015 Pisharodi A61F 2/447
 9,295,562 B2 * 3/2016 Lechmann A61F 2/3094
 D753,305 S * 4/2016 Butler A61F 2/4465
 D24/155
 9,320,610 B2 * 4/2016 Alheidt A61F 2/4611
 2002/0169508 A1 * 11/2002 Songer A61B 17/70
 623/17.11
 2003/0023306 A1 * 1/2003 Liu A61F 2/447
 623/17.11
 2003/0105528 A1 * 6/2003 Shimp A61F 2/28
 623/17.16
 2003/0125739 A1 7/2003 Bagga et al.
 2003/0139812 A1 * 7/2003 Garcia A61B 17/025
 623/17.11
 2006/0100705 A1 5/2006 Puno et al.

* cited by examiner

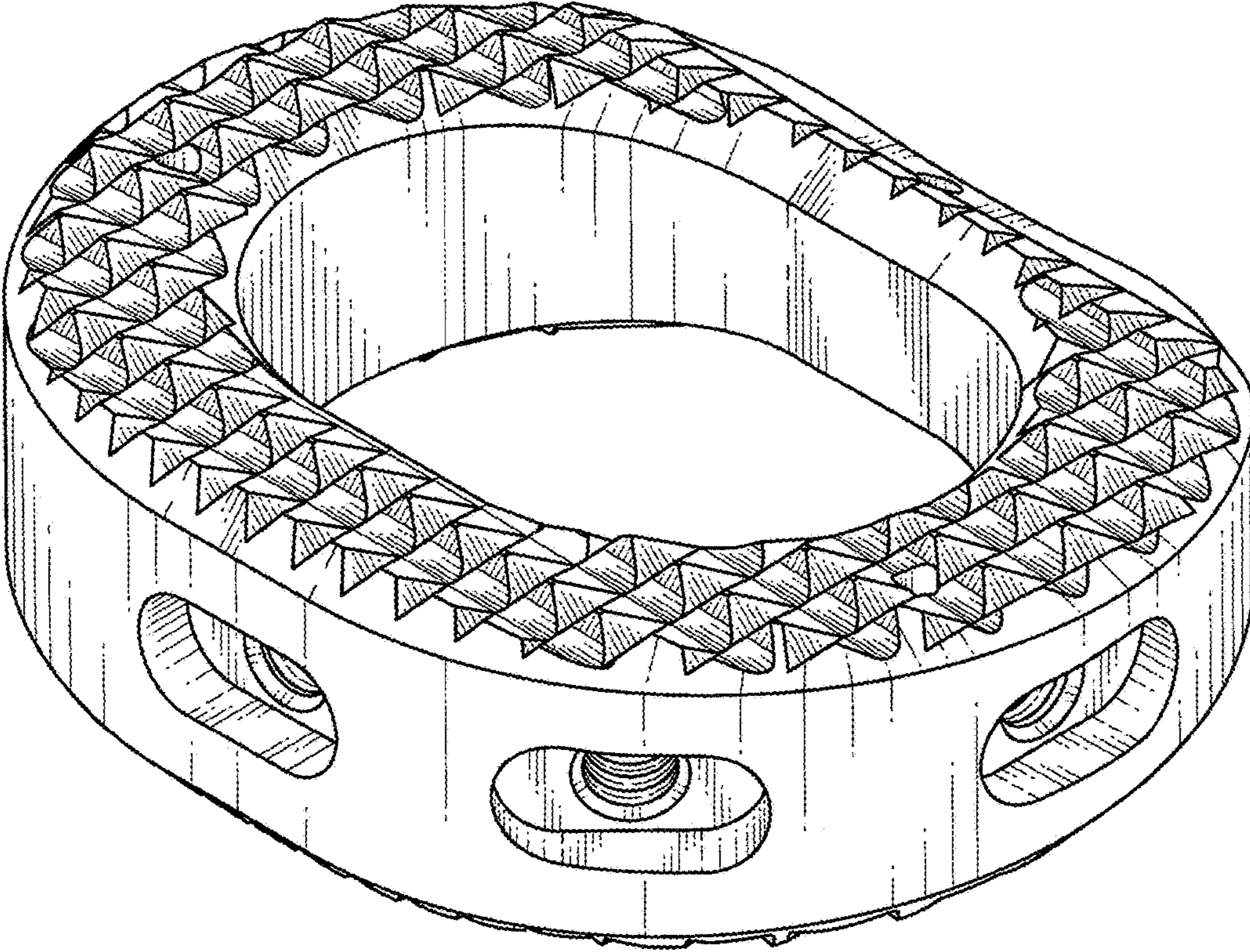


FIG. 1

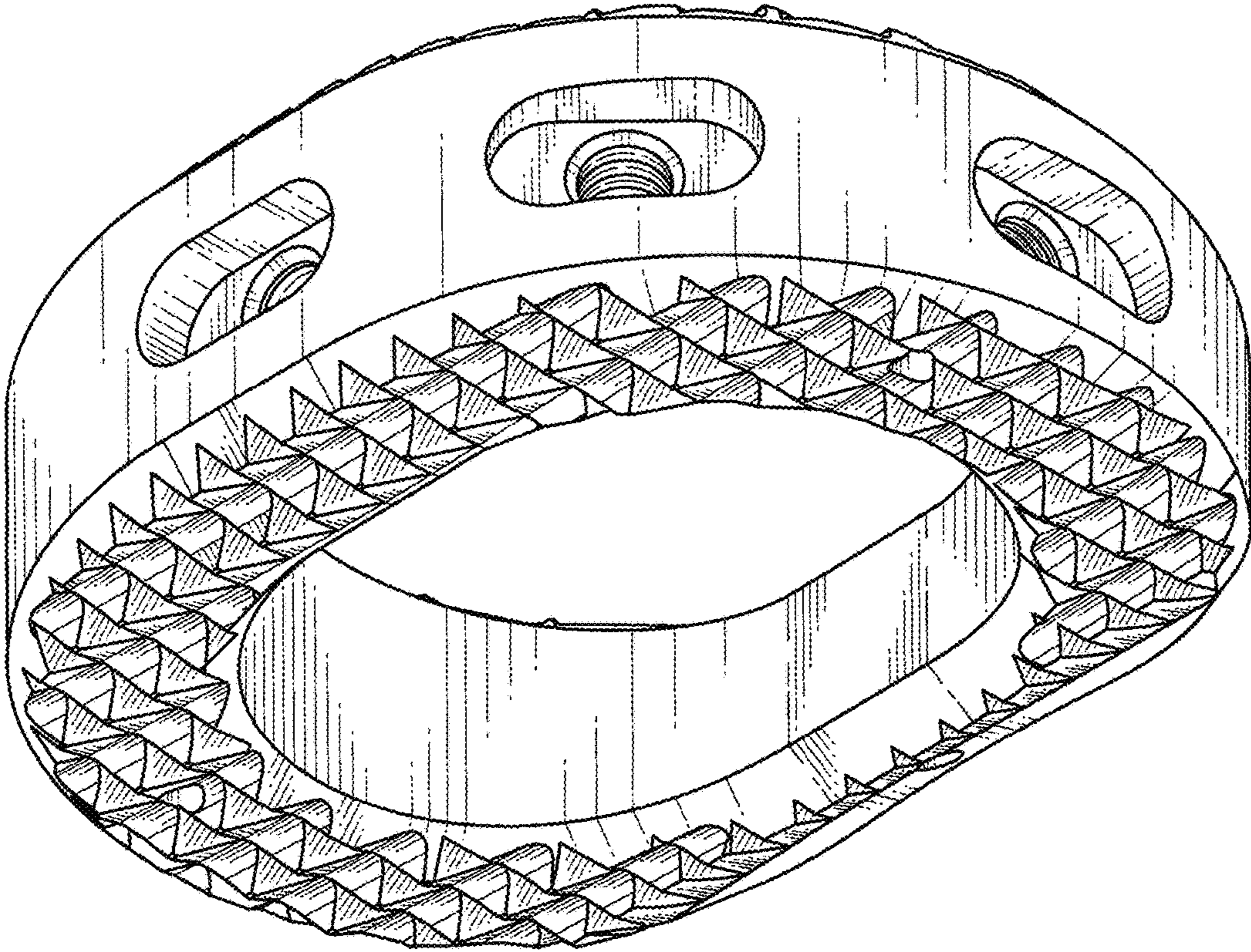


FIG. 2

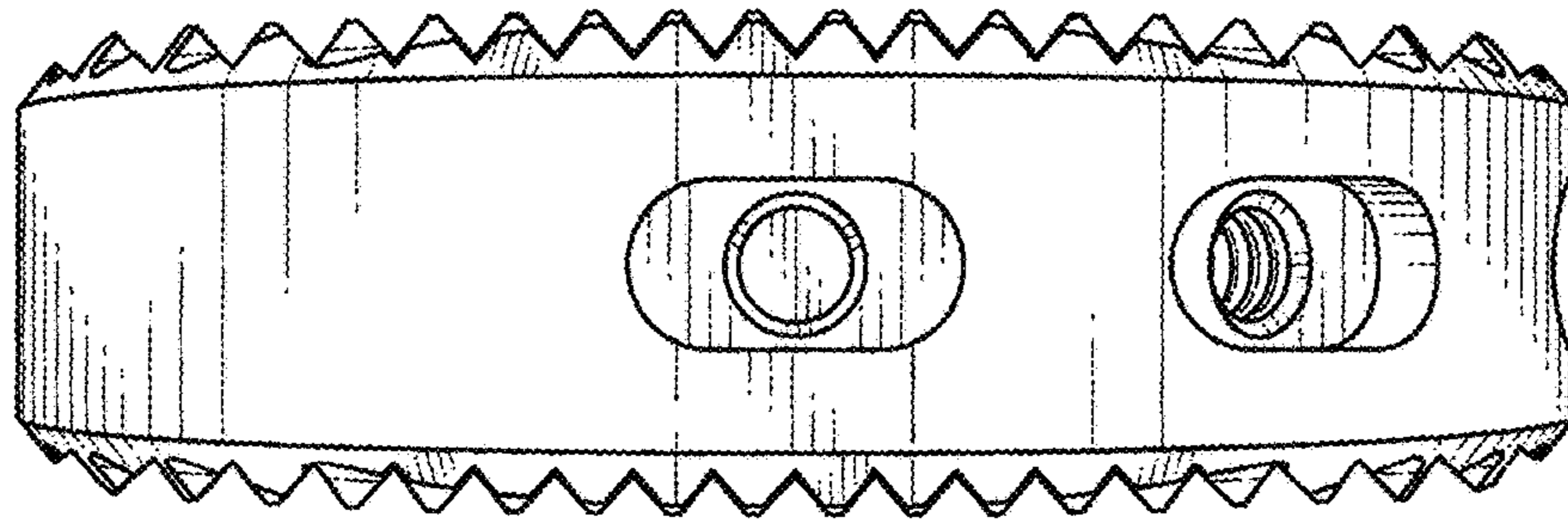


FIG. 3

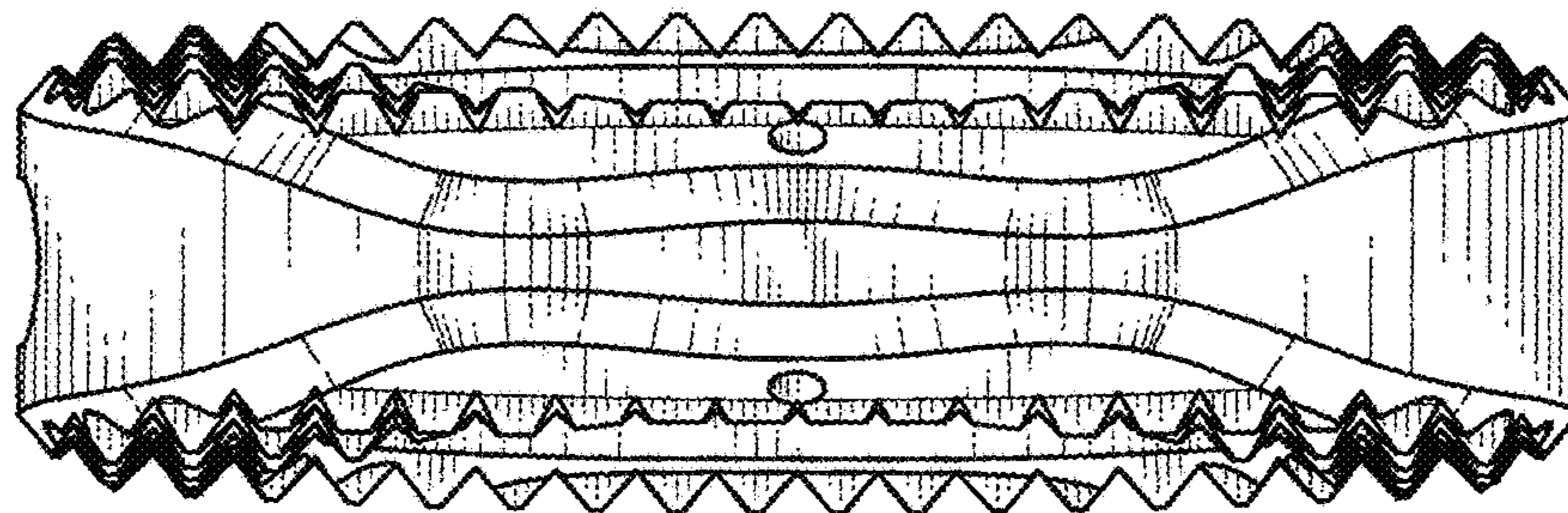


FIG. 4

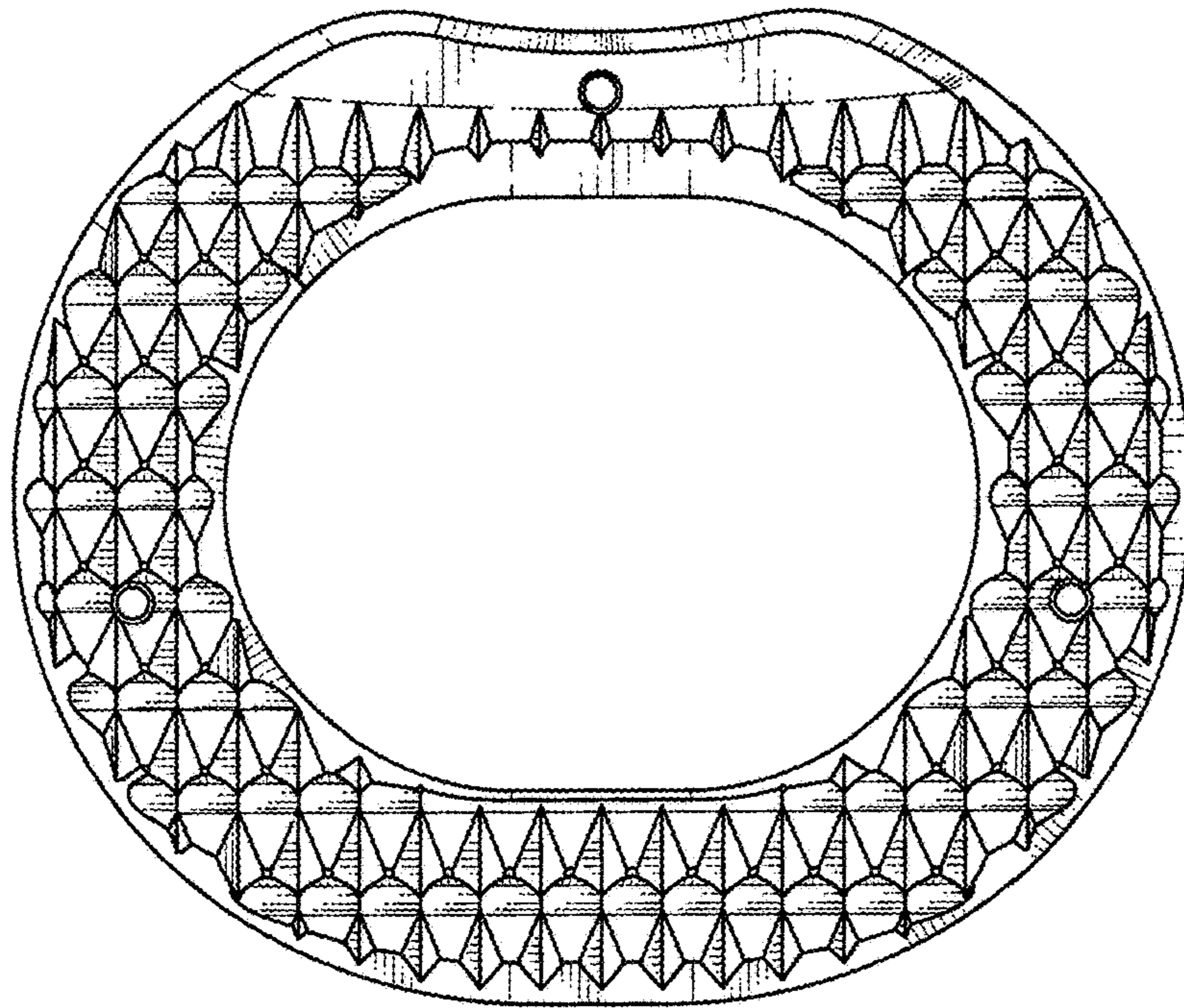


FIG. 5

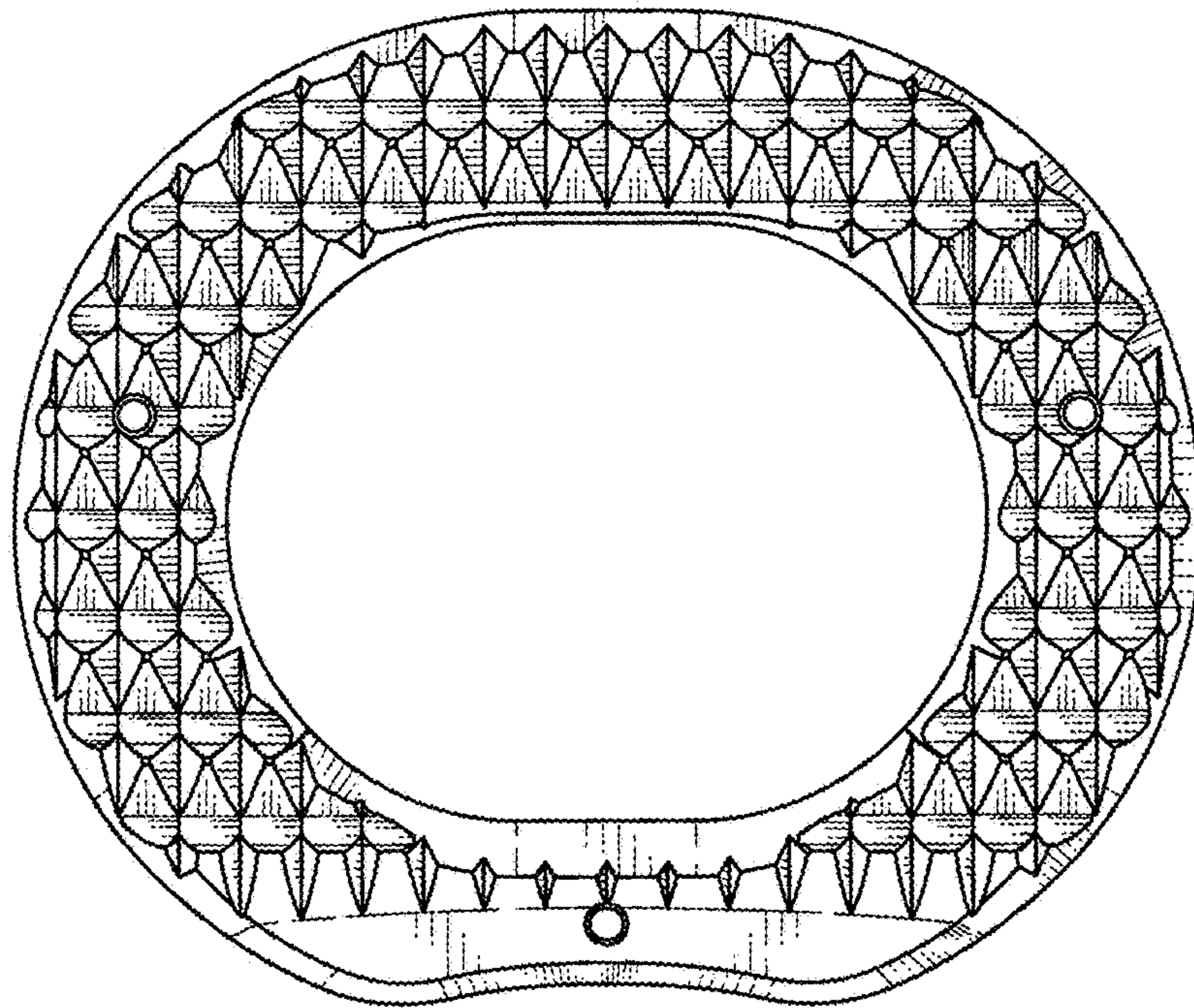


FIG. 6

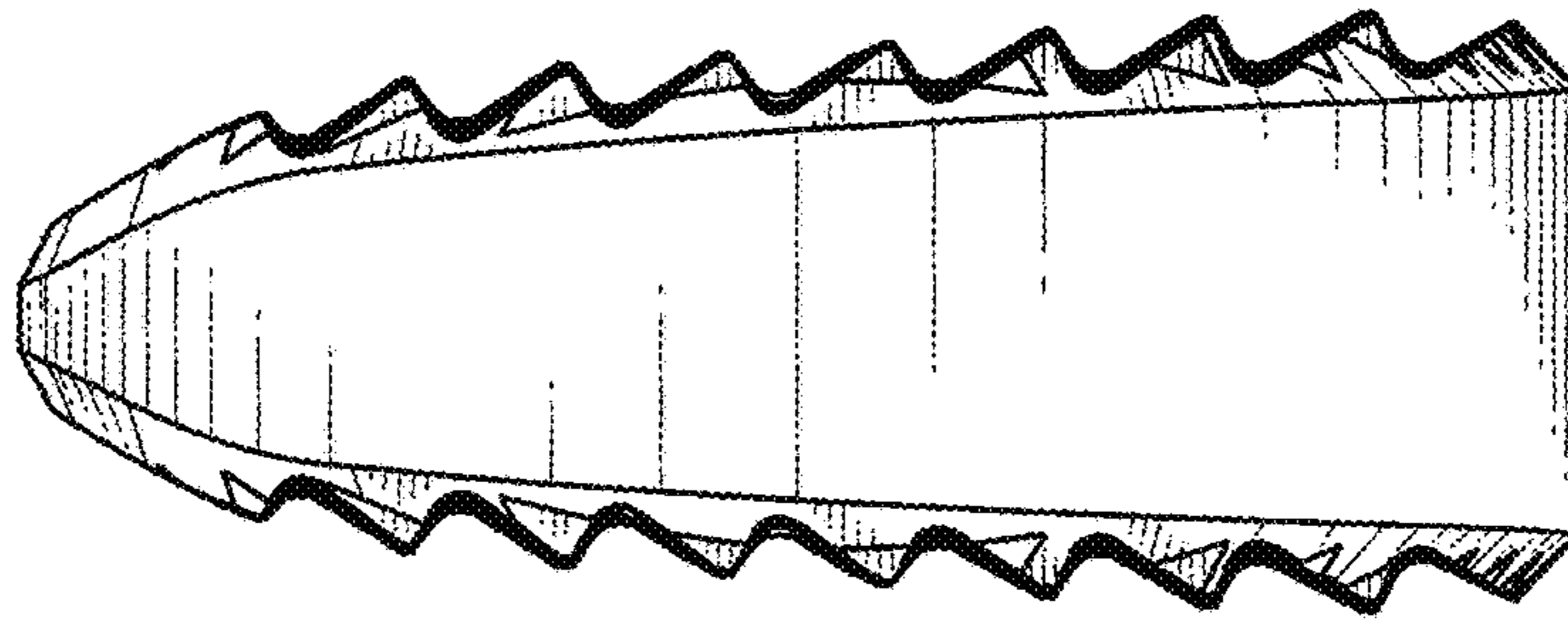


FIG. 7

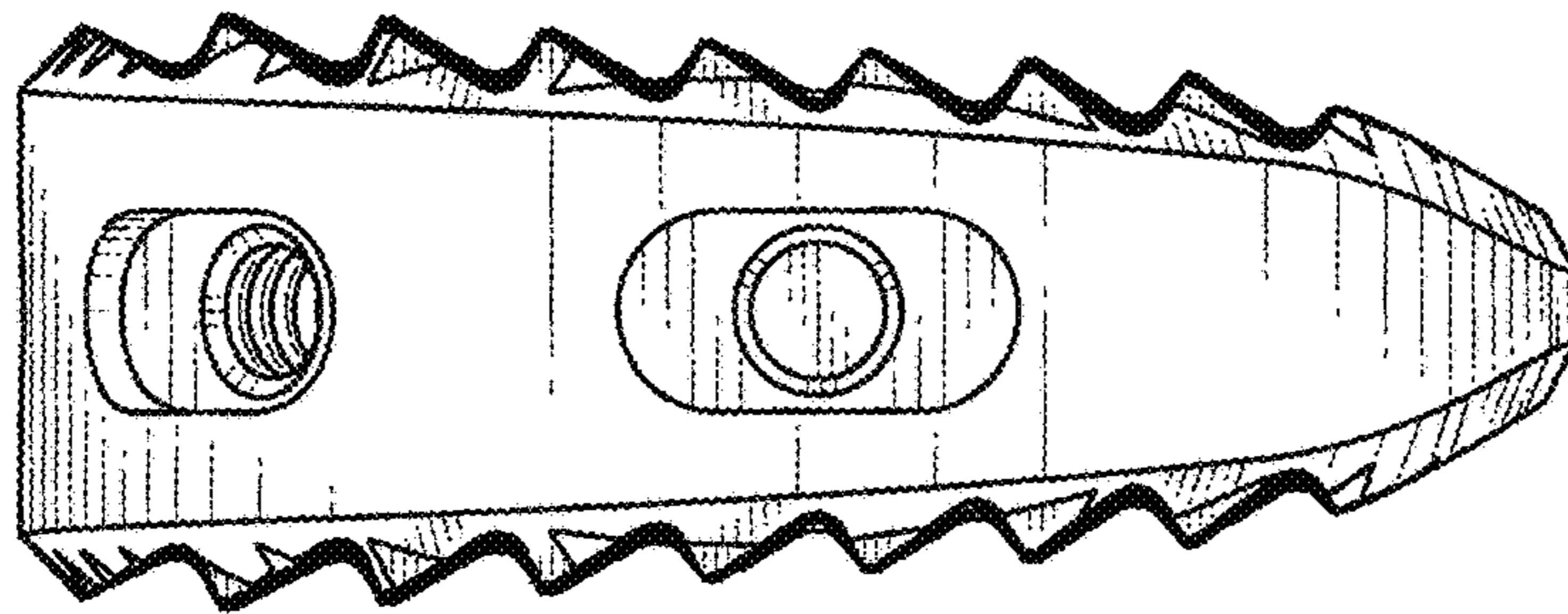


FIG. 8