



US00D850619S

(12) **United States Design Patent**
Saubers

(10) **Patent No.:** **US D850,619 S**
(45) **Date of Patent:** **** Jun. 4, 2019**

(54) **DENTAL TOOL**
(71) Applicant: **Nadine & Co., LLC**, Chula Vista, CA (US)
(72) Inventor: **Nadine Marie Saubers**, Chula Vista, CA (US)
(73) Assignee: **Nadine & Co., LLC**, Chula Vista, CA (US)
(**) Term: **15 Years**

8,062,030 B2 11/2011 Saubers
8,182,266 B2 * 5/2012 Creasman A61C 3/00
29/270
8,545,219 B2 10/2013 Saubers
9,119,689 B2 * 9/2015 Kabbani A61C 7/146
9,872,742 B1 * 1/2018 Albarakati A61C 7/02
D810,939 S * 2/2018 Albarakati D24/154

* cited by examiner

Primary Examiner — Wan Laymon

(74) *Attorney, Agent, or Firm* — John L. Rogitz

(21) Appl. No.: **29/634,883**
(22) Filed: **Jan. 25, 2018**
(51) **LOC (11) Cl.** **24-02**
(52) **U.S. Cl.**
USPC **D24/154; D24/149**
(58) **Field of Classification Search**
USPC D24/152, 154, 149, 147; D28/57, 64.4,
D28/65
CPC .. A61C 3/00; A61C 7/02; A61C 7/023; A61C
7/026; A61C 7/12; A61C 7/146
See application file for complete search history.

(57) **CLAIM**

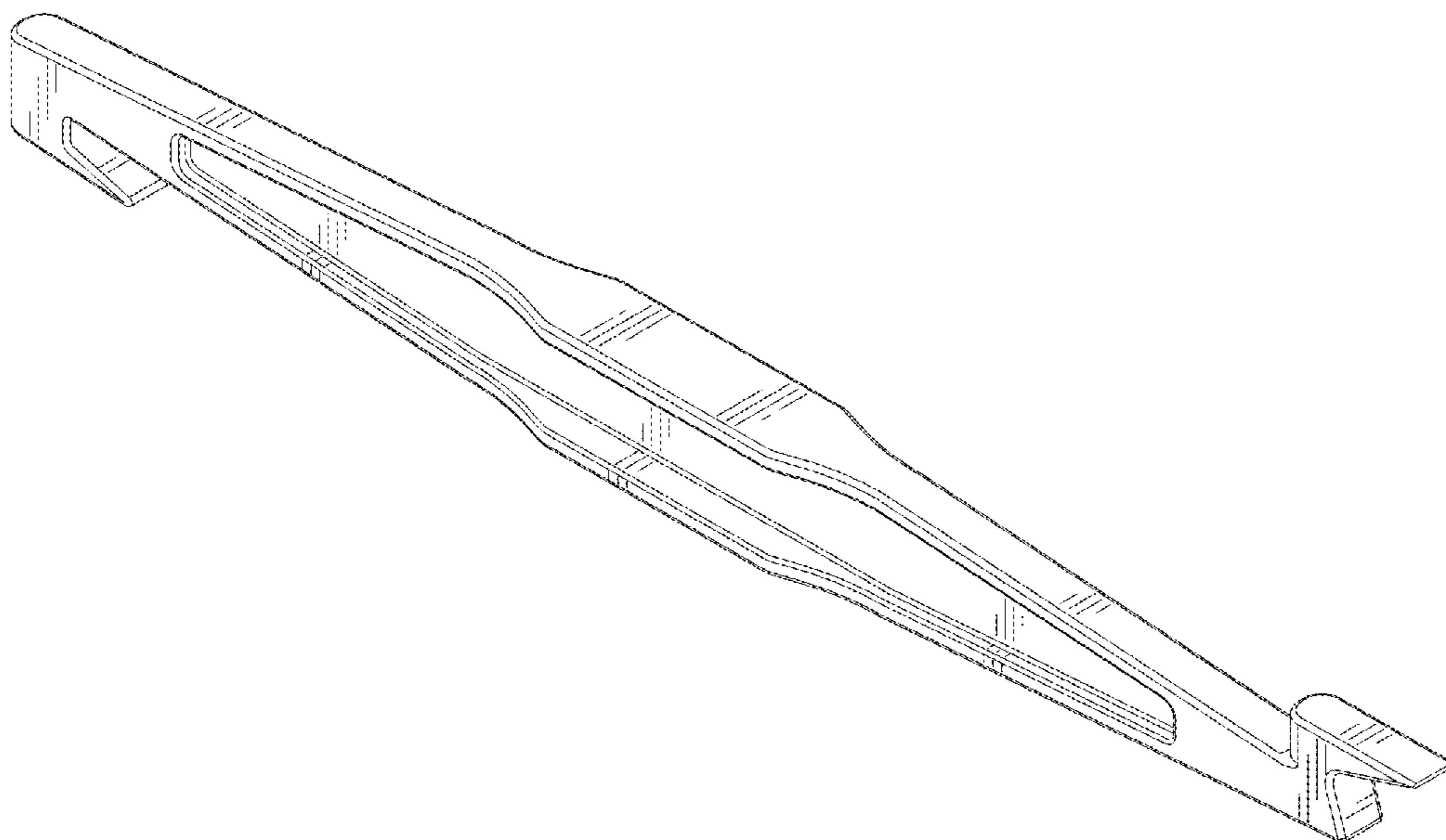
The ornamental design for the dental tool, as shown and described.

DESCRIPTION

FIG. 1 is a perspective view of the dental tool;
FIG. 2 is a first end elevational view of the dental tool;
FIG. 3 is a second end elevational view of the dental tool;
FIG. 4 is a first side elevational view of the dental tool;
FIG. 5 is a second side elevational view of the dental tool;
FIG. 6 is a bottom plan view of the dental tool; and,
FIG. 7 is a top plan view of the dental tool.

1 Claim, 5 Drawing Sheets

(56) **References Cited**
U.S. PATENT DOCUMENTS
D306,207 S * 2/1990 Hannan D24/149
4,904,183 A * 2/1990 Hannan A61C 7/02
433/3



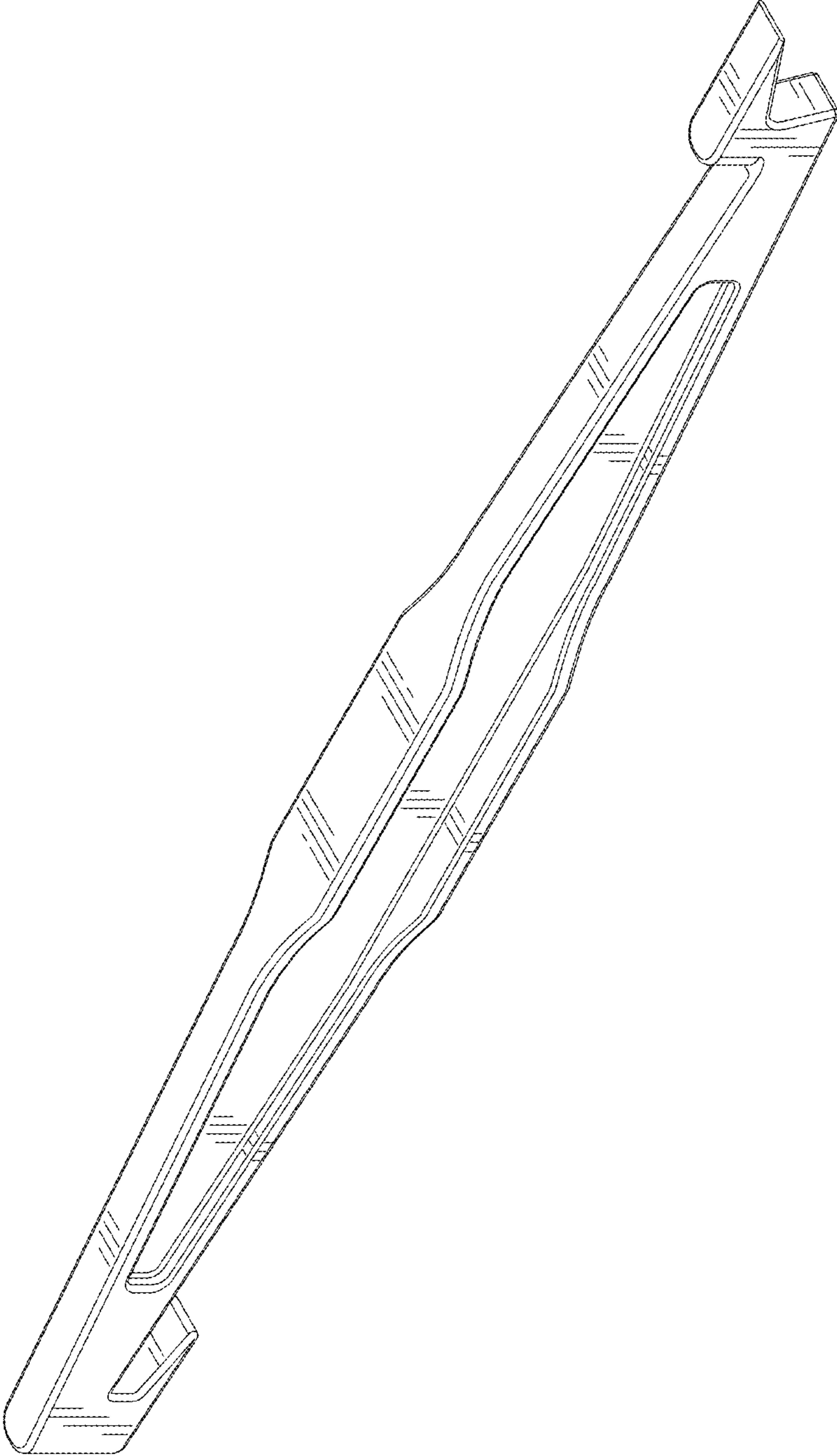


FIG. 1

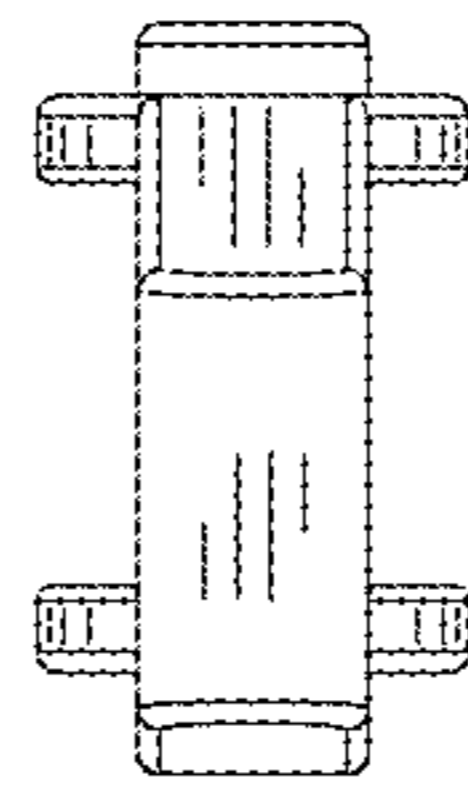


FIG. 2

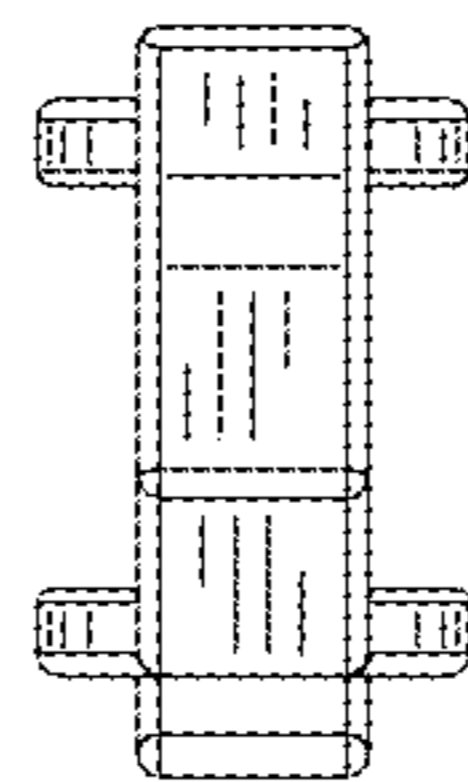


FIG. 3

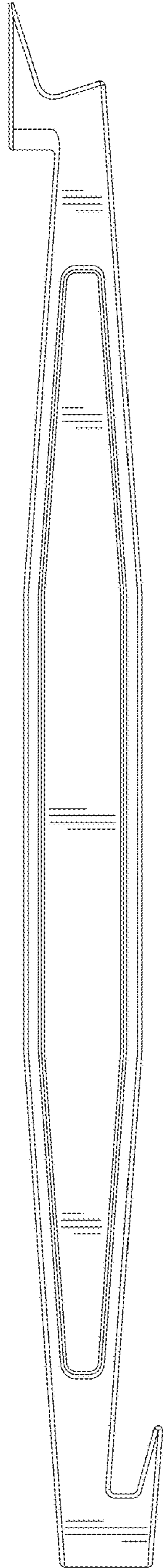


FIG. 4

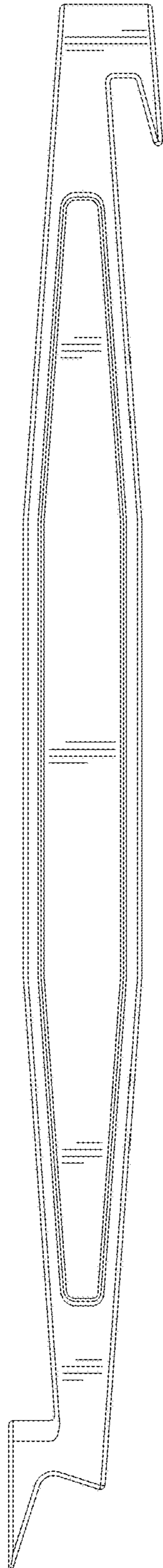


FIG. 5

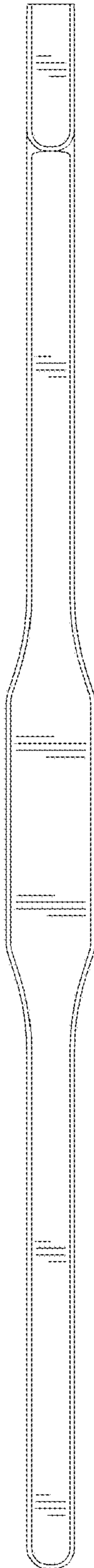


FIG. 6

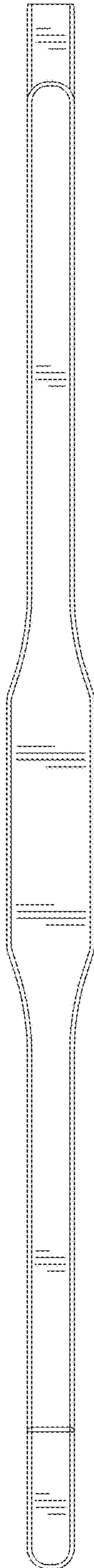


FIG. 7