



US00D850618S

(12) **United States Design Patent** (10) **Patent No.:** **US D850,618 S**  
**Elam et al.** (45) **Date of Patent:** **\*\* \*Jun. 4, 2019**

(54) **HANDPIECE**

(71) Applicant: **Perimetrics, LLC**, Los Angeles, CA (US)  
(72) Inventors: **John Michael Elam**, Woodland Hills, CA (US); **Lance Gordon Hussey**, Thousand Oaks, CA (US); **Shushuo Wu**, Rancho Santa Margarita, CA (US); **Jungwoo Choi**, Woodland Hills, CA (US)

(73) Assignee: **Perimetrics, LLC**, Newport Beach, CA (US)

(\*) Notice: This patent is subject to a terminal disclaimer.

(\*\*) Term: **15 Years**

(21) Appl. No.: **29/589,452**

(22) Filed: **Dec. 30, 2016**

(51) **LOC (11) Cl.** ..... **24-04**

(52) **U.S. Cl.**  
USPC ..... **D24/152**

(58) **Field of Classification Search**  
USPC ..... D24/127-131, 112-114, 133, 186, 152; 606/181, 185; 604/264, 523-528, 272, 604/187, 158, 164.01-164.11, 181, 184, 604/227; 600/101, 139, 143; 128/200.24, 207.14, 207.15  
CPC ..... A61M 25/00; A61M 39/00; A61M 27/00; A61M 25/0043; A61M 25/0067; A61M 25/0097; A61F 2/958  
See application file for complete search history.

(56) **References Cited**

U.S. PATENT DOCUMENTS

D351,227 S \* 10/1994 Patton ..... D24/112  
D381,076 S \* 7/1997 Thornton ..... D24/112

D384,743 S \* 10/1997 Chia ..... D24/133  
D391,361 S \* 2/1998 Evans ..... D24/133  
D526,411 S \* 8/2006 Easley ..... D24/133  
D531,308 S \* 10/2006 Bendek ..... D24/114  
D553,738 S \* 10/2007 Simonson ..... D24/133  
D612,044 S \* 3/2010 Scheibe ..... D24/130  
D626,648 S \* 11/2010 Ahlgren ..... D24/130  
8,591,480 B2 \* 11/2013 Marler ..... A61B 17/320016  
604/264  
D762,851 S \* 8/2016 Tegg ..... D24/130  
D779,059 S \* 2/2017 Nino ..... D24/133  
9,737,664 B2 \* 8/2017 Gardner ..... A61M 5/282

\* cited by examiner

Primary Examiner — David Muller

(74) Attorney, Agent, or Firm — Quan & Associates; Nancy N. Quan; Christopher Quan

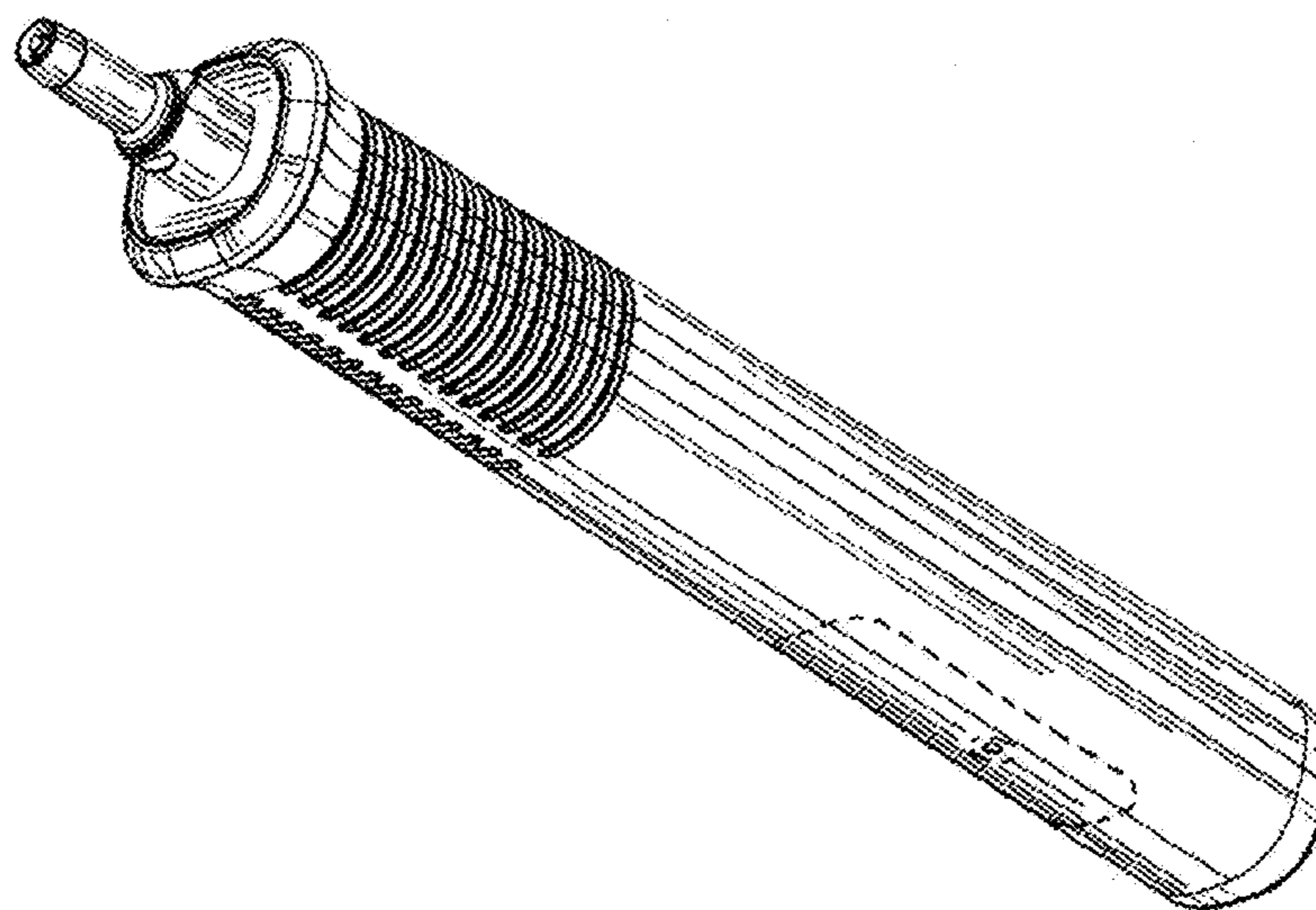
(57) **CLAIM**

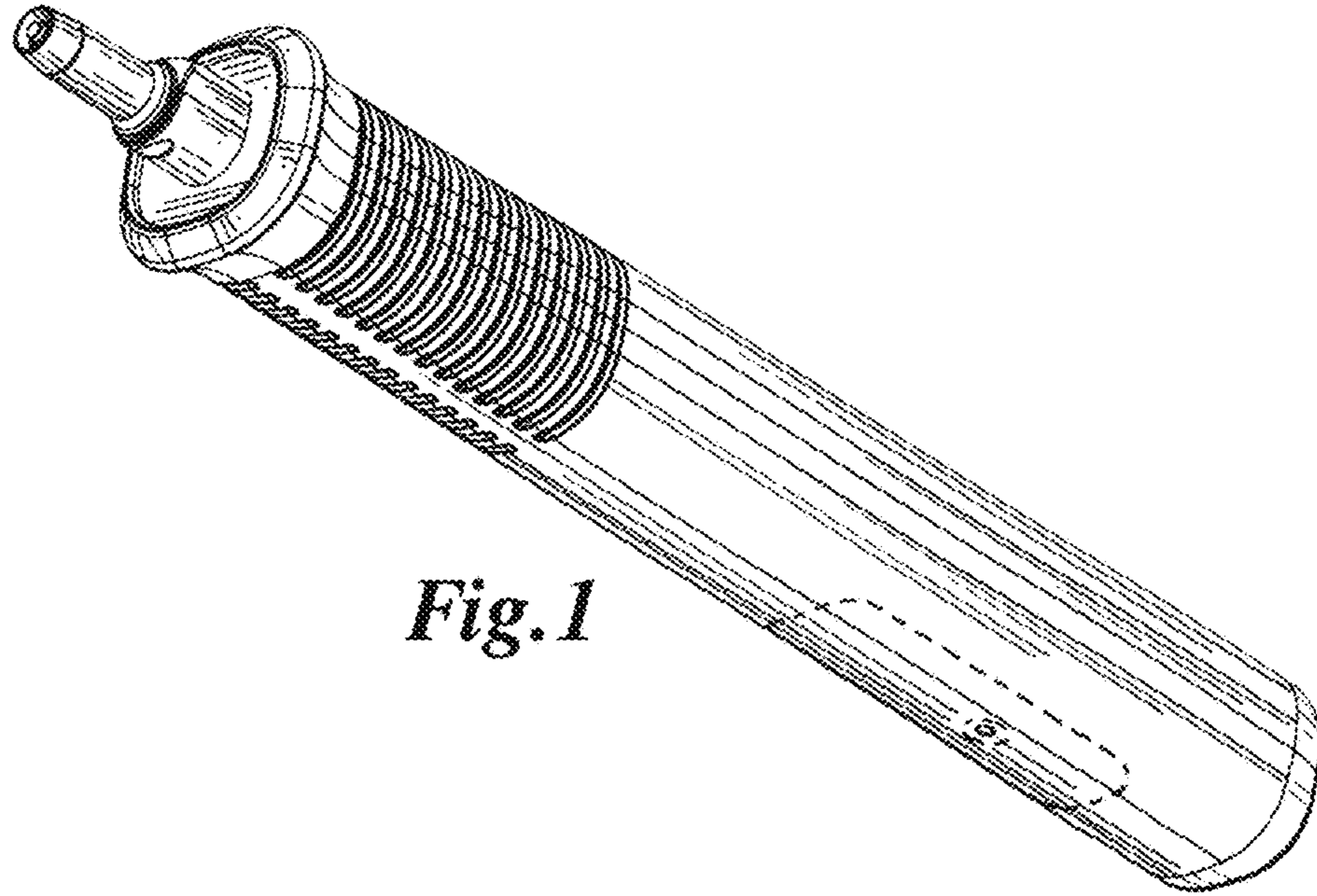
The ornamental design for a handpiece, as shown and described.

**DESCRIPTION**

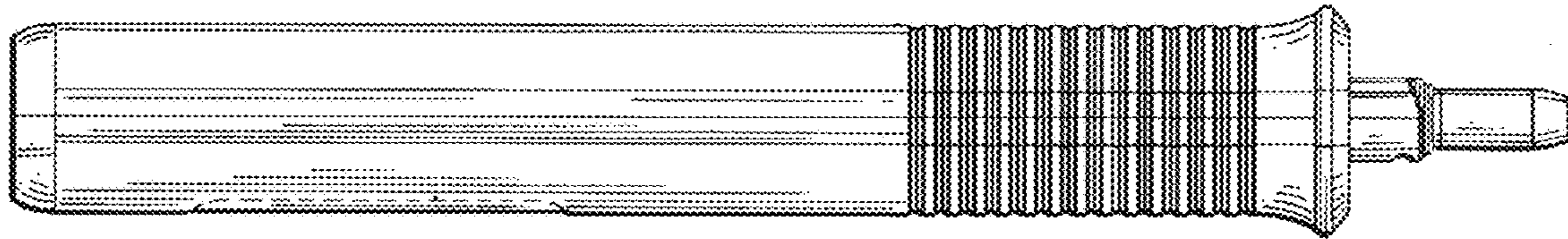
FIG. 1 is a front bottom perspective view of a handpiece embodying our new design;  
FIG. 2 is a right side view thereof;  
FIG. 3 is a left view thereof;  
FIG. 4 is a top view thereof;  
FIG. 5 is a bottom view thereof;  
FIG. 6 is a back view thereof;  
FIG. 7 is a front view thereof; and,  
FIG. 8 is a front top perspective view thereof.  
The broken line showing of access plates is for the purpose of illustrating environmental structure and forms no part of the claimed design.

**1 Claim, 3 Drawing Sheets**

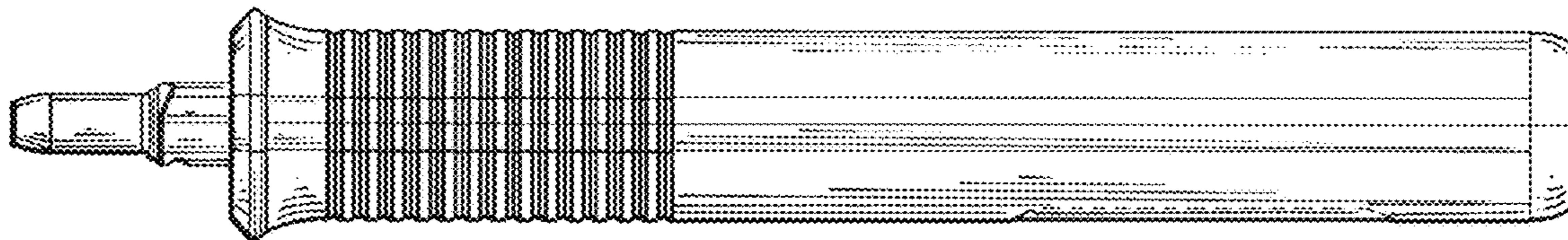




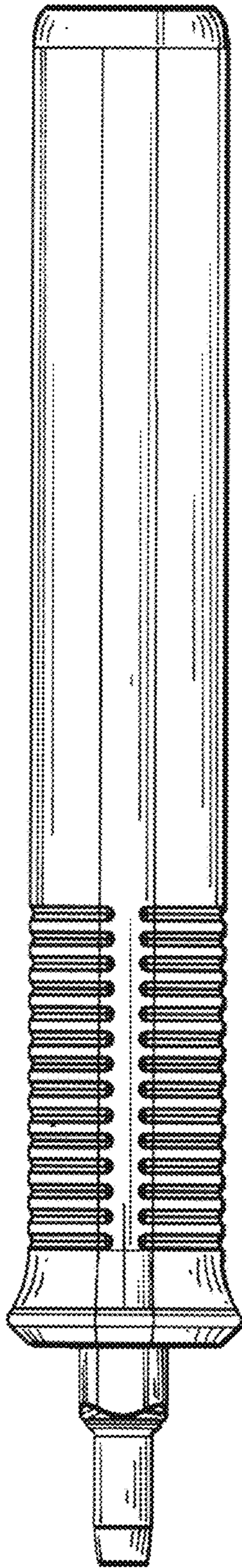
*Fig. 1*



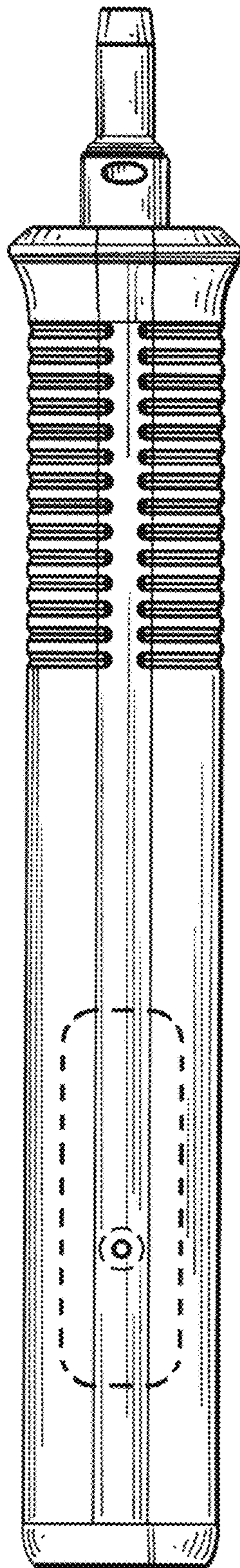
*Fig. 2*



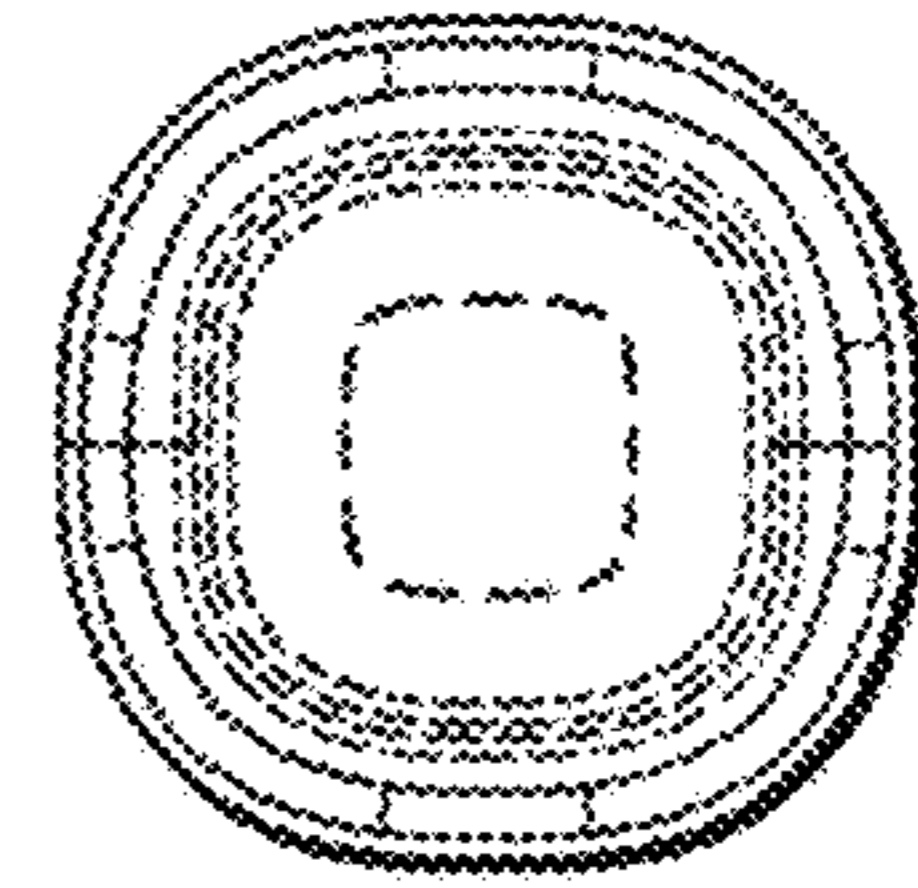
*Fig. 3*



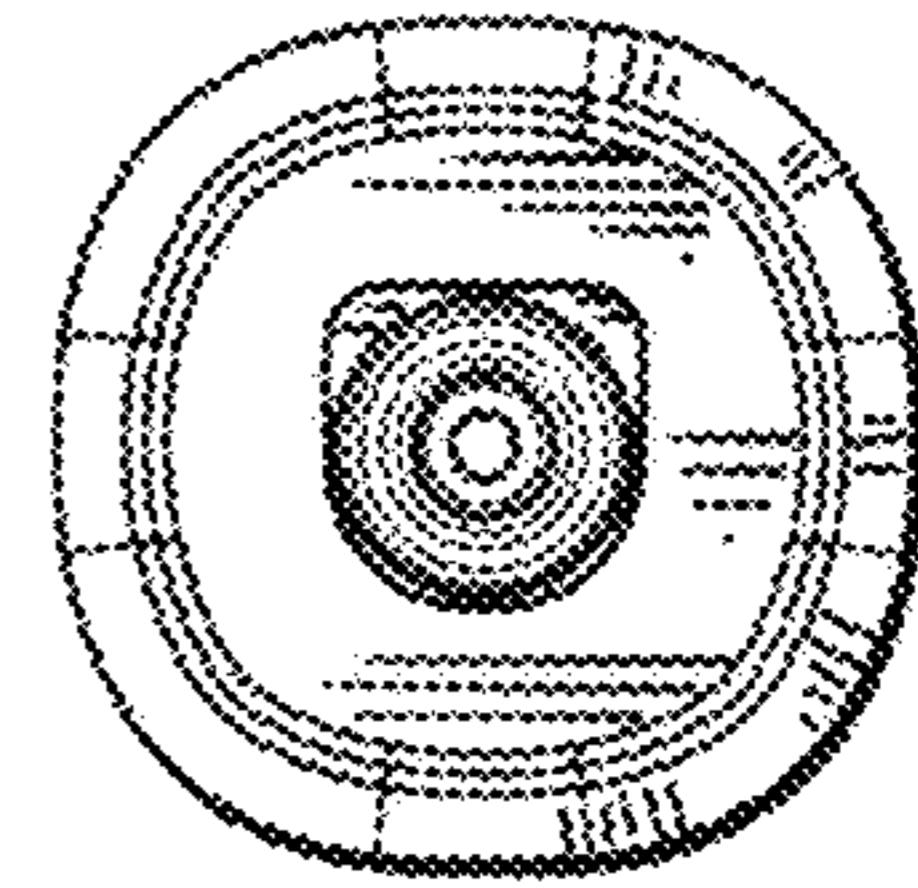
*Fig. 4*



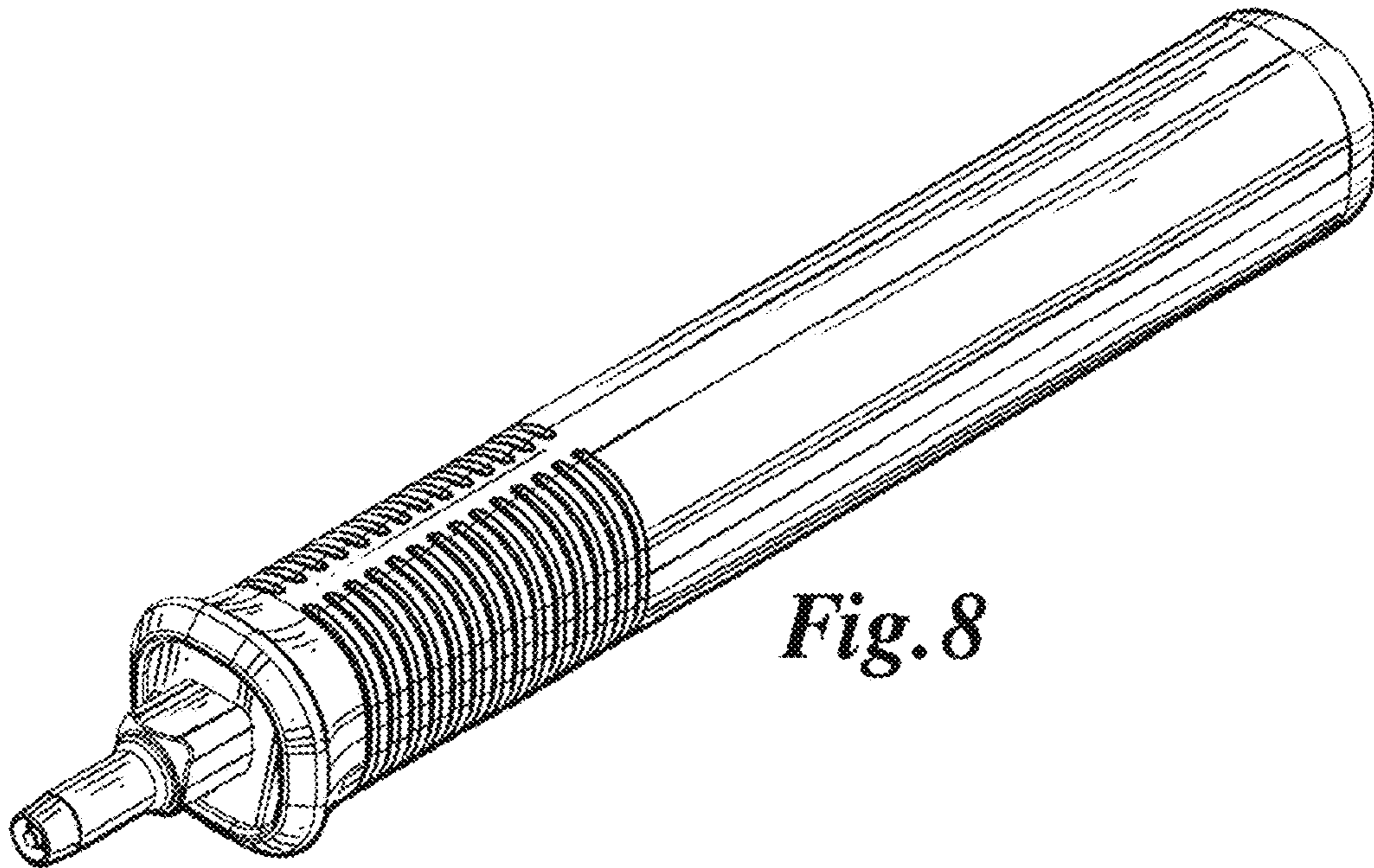
*Fig. 5*



*Fig. 6*



*Fig. 7*



*Fig. 8*