



US00D850615S

(12) **United States Design Patent** (10) **Patent No.:** **US D850,615 S**
Chung (45) **Date of Patent:** **** Jun. 4, 2019**

(54) **TUBE CONNECTOR**
(71) Applicant: **GI SUPPLY**, Camp Hill, PA (US)
(72) Inventor: **Terry Chung**, Kildeer, IL (US)
(73) Assignee: **GI SUPPLY**, Mechanicsburg, PA (US)
(**) Term: **15 Years**

(21) Appl. No.: **29/645,241**
(22) Filed: **Apr. 24, 2018**
(51) **LOC (11) Cl.** **24-01**
(52) **U.S. Cl.**
USPC **D24/129**
(58) **Field of Classification Search**
USPC D23/223, 259, 262, 263; D24/129, 127;
D8/349, 354, 382, 395
CPC A61M 2025/0004; A61M 25/0067; A61M
2025/0079; F16B 2012/403; F16B 12/44;
F16B 12/46; A47B 47/0008; A47B
47/0016; A47B 47/005
See application file for complete search history.

(56) **References Cited**
U.S. PATENT DOCUMENTS
3,486,771 A * 12/1969 Conlin F16L 19/065
285/133.11
D283,725 S * 5/1986 Mahoney D23/235
D297,043 S * 8/1988 Vander Wilt D23/263
D441,435 S * 5/2001 Patteson D23/262
D454,940 S * 3/2002 Hoenig D23/259
D578,214 S * 10/2008 Mosler D24/129
D600,780 S * 9/2009 Shishido D23/233
D607,090 S * 12/2009 Johnson D23/262
D634,819 S * 3/2011 Leroyer D23/263
D736,899 S * 8/2015 Courtois D23/263
D778,438 S * 2/2017 Smith D24/129
D785,170 S * 4/2017 Swisher D24/129
D792,585 S * 7/2017 Miller D24/129
D797,927 S * 9/2017 Schuessler D24/129

D802,124 S * 11/2017 Guala D24/129
D803,993 S * 11/2017 McCollum D23/262
D826,400 S * 8/2018 Nelson D24/129
2014/0207117 A1 * 7/2014 Ueda A61M 39/02
604/533
2015/0190627 A1 * 7/2015 Ueda A61M 39/02
604/256
2016/0089528 A1 * 3/2016 Schuessler A61M 39/10
604/535

* cited by examiner

Primary Examiner — Sandra S Snapp
Assistant Examiner — Ieisha N Price
(74) *Attorney, Agent, or Firm* — Marshall, Gerstein & Borun LLP

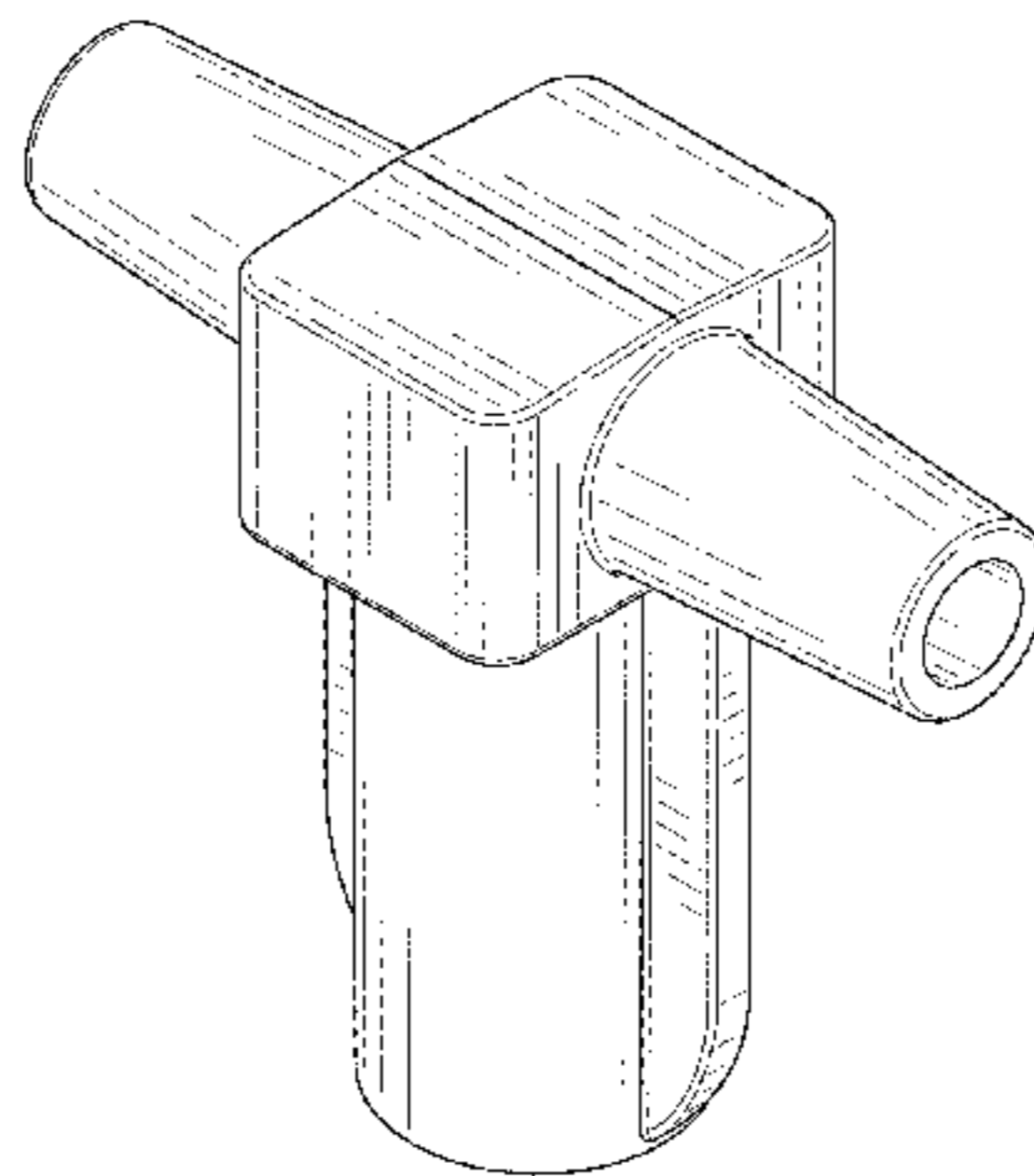
(57) **CLAIM**

The ornamental design for a tube connector, as shown and described.

DESCRIPTION

FIG. 1 is a front perspective view of a tube connector of the present invention;
FIG. 2 is a front elevation view of the invention illustrated in FIG. 1;
FIG. 3 is a rear elevation view of the invention illustrated in FIG. 1;
FIG. 4 is a right side view of the invention illustrated in FIG. 1;
FIG. 5 is a left side view of the invention illustrated in FIG. 1;
FIG. 6 is a top view of the invention illustrated in FIG. 1;
FIG. 7 is a bottom view of the invention illustrated in FIG. 1; and,
FIG. 8 is an environmental view of the invention illustrated in FIG. 1, in combination with a tubing system for a pump. The broken lines in the drawings illustrate environment, or portions of the tube connector, and form no part of the claimed design.

1 Claim, 5 Drawing Sheets



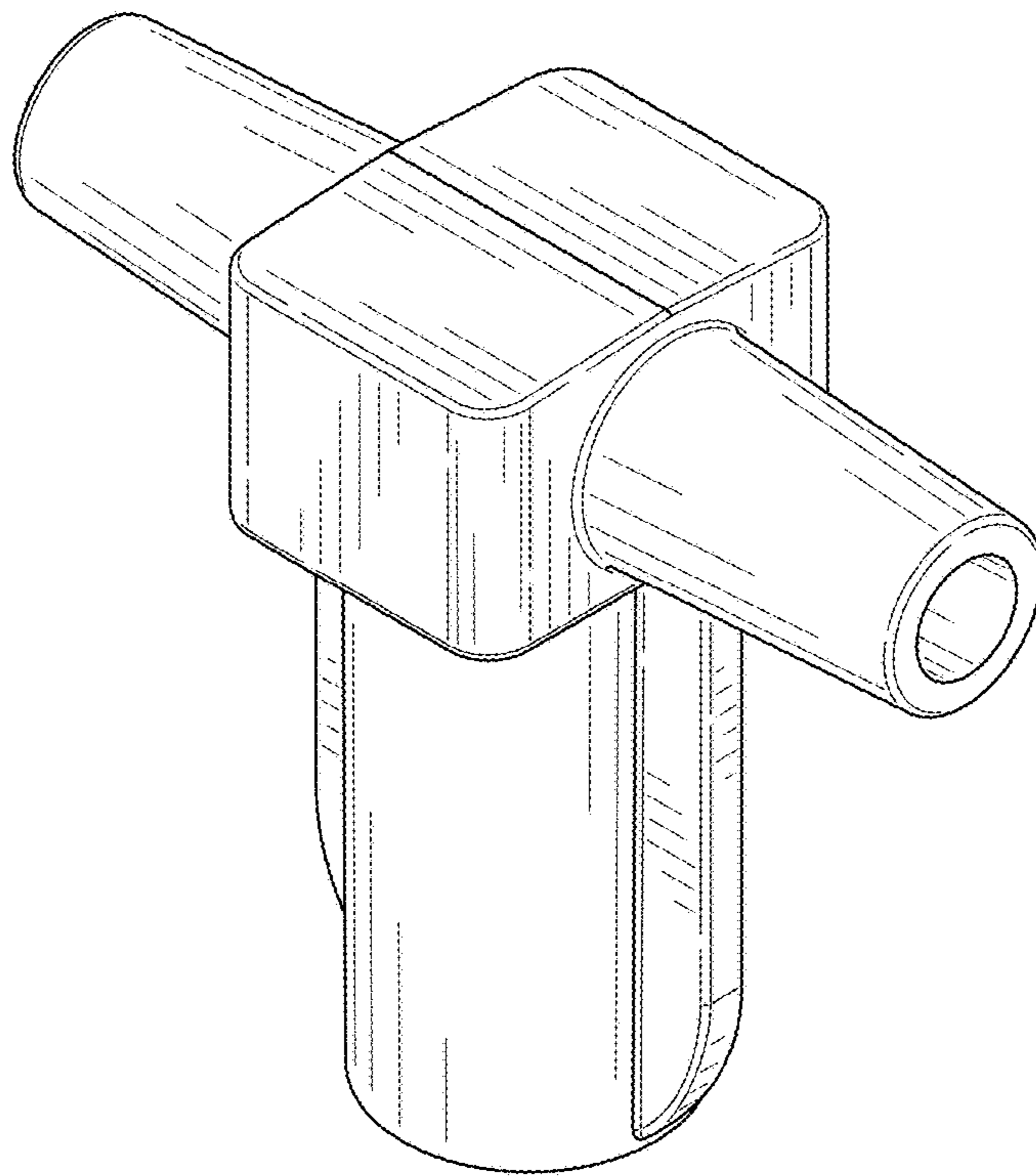


FIG. 1

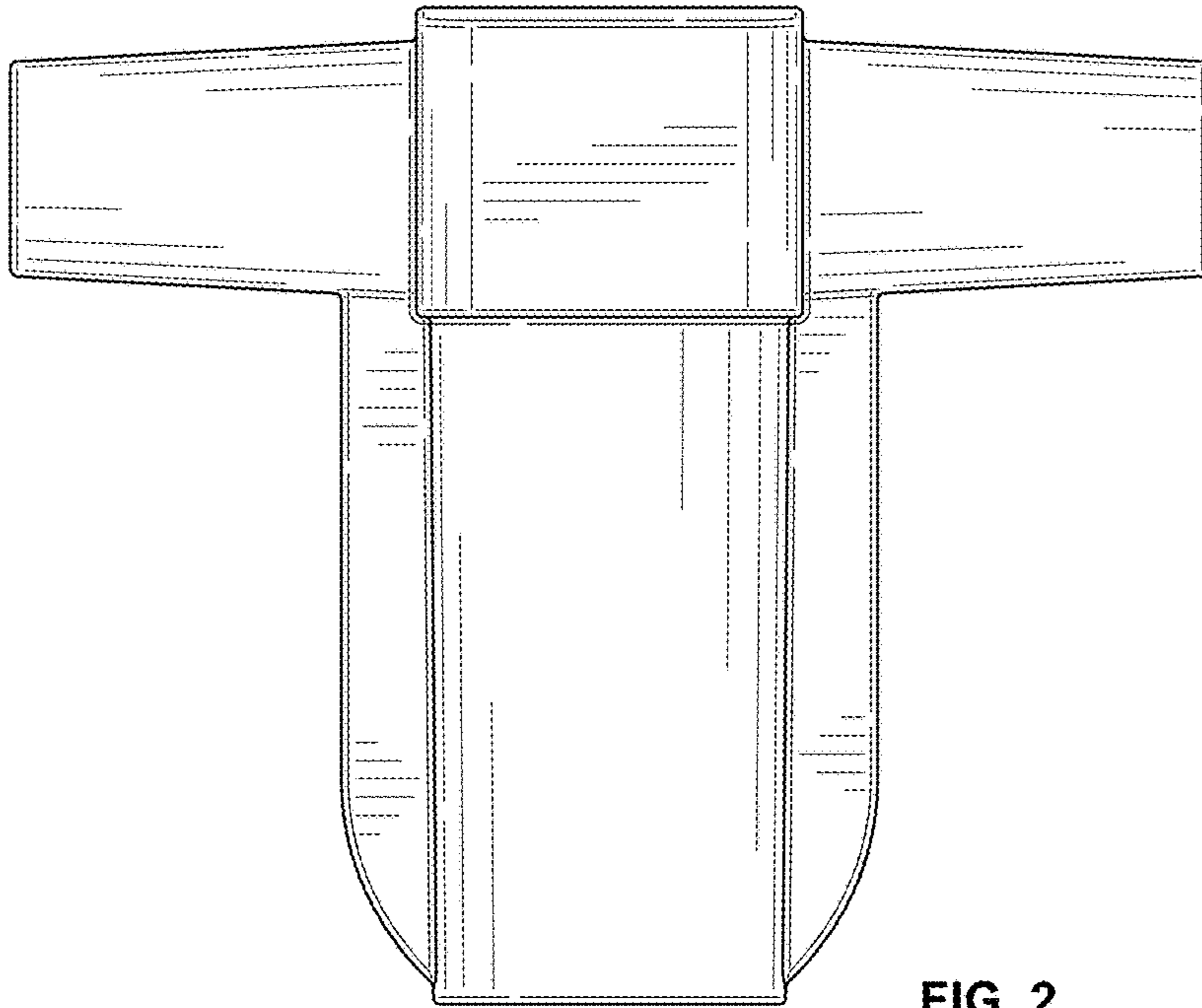


FIG. 2

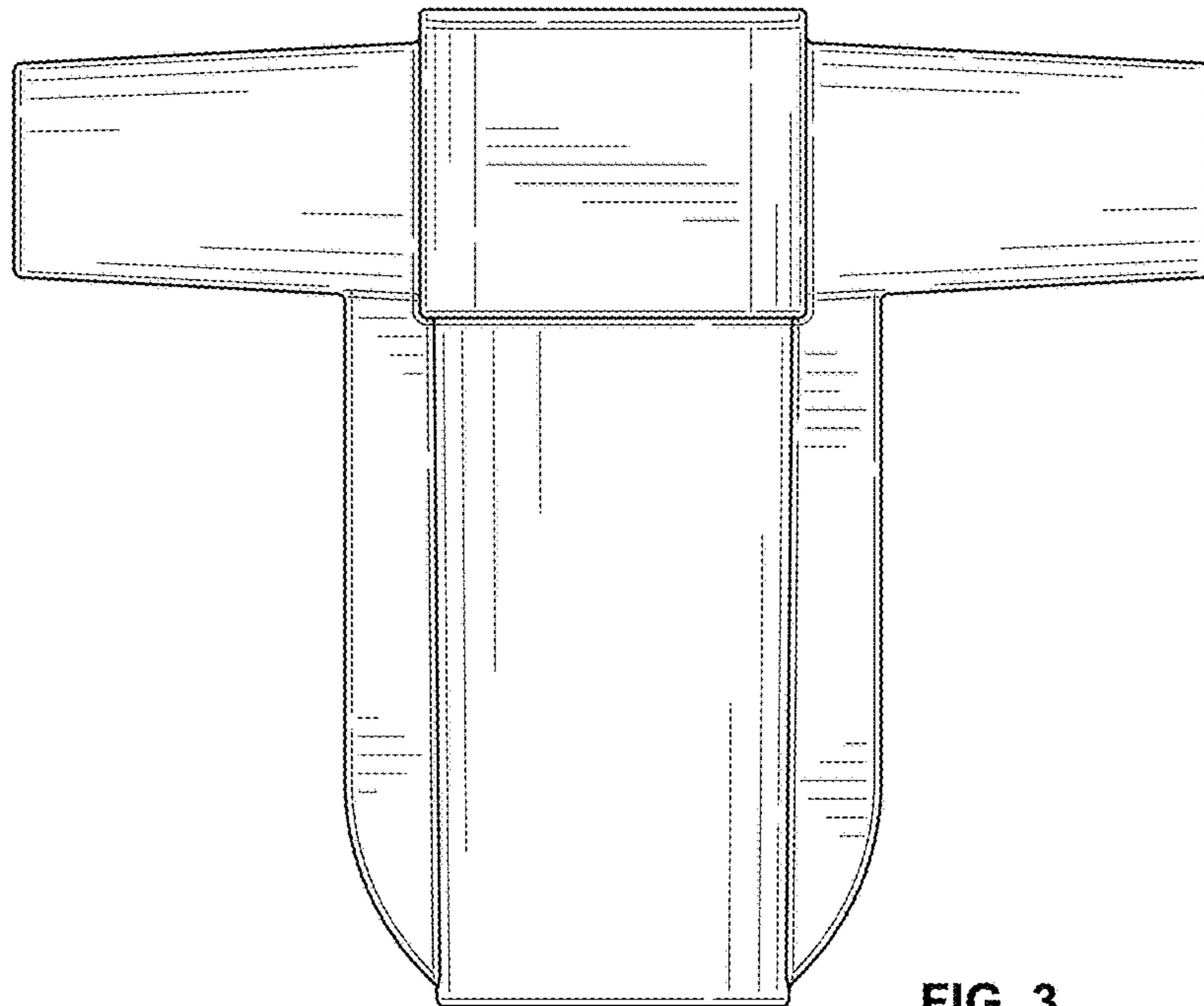


FIG. 3

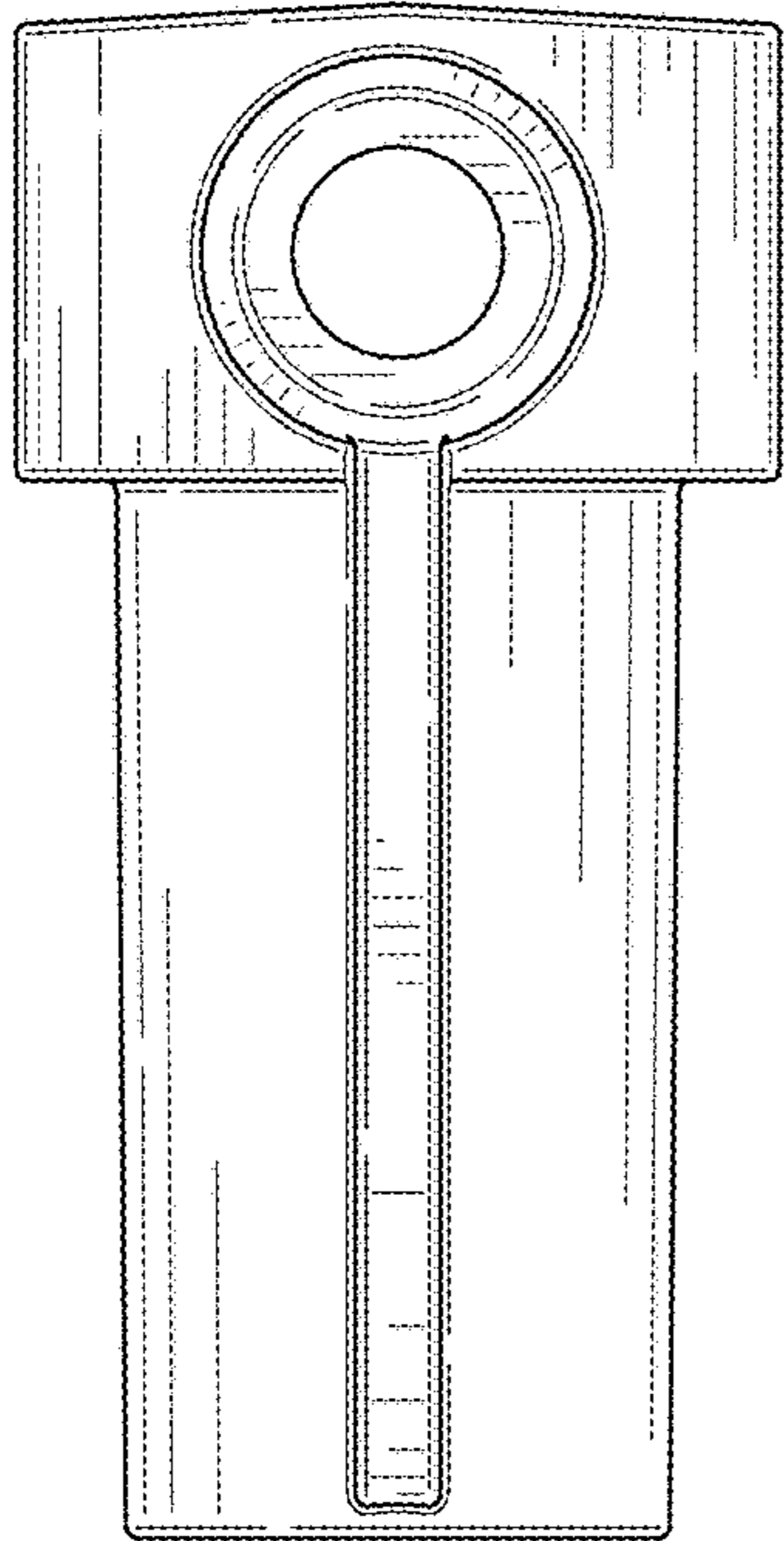


FIG. 4

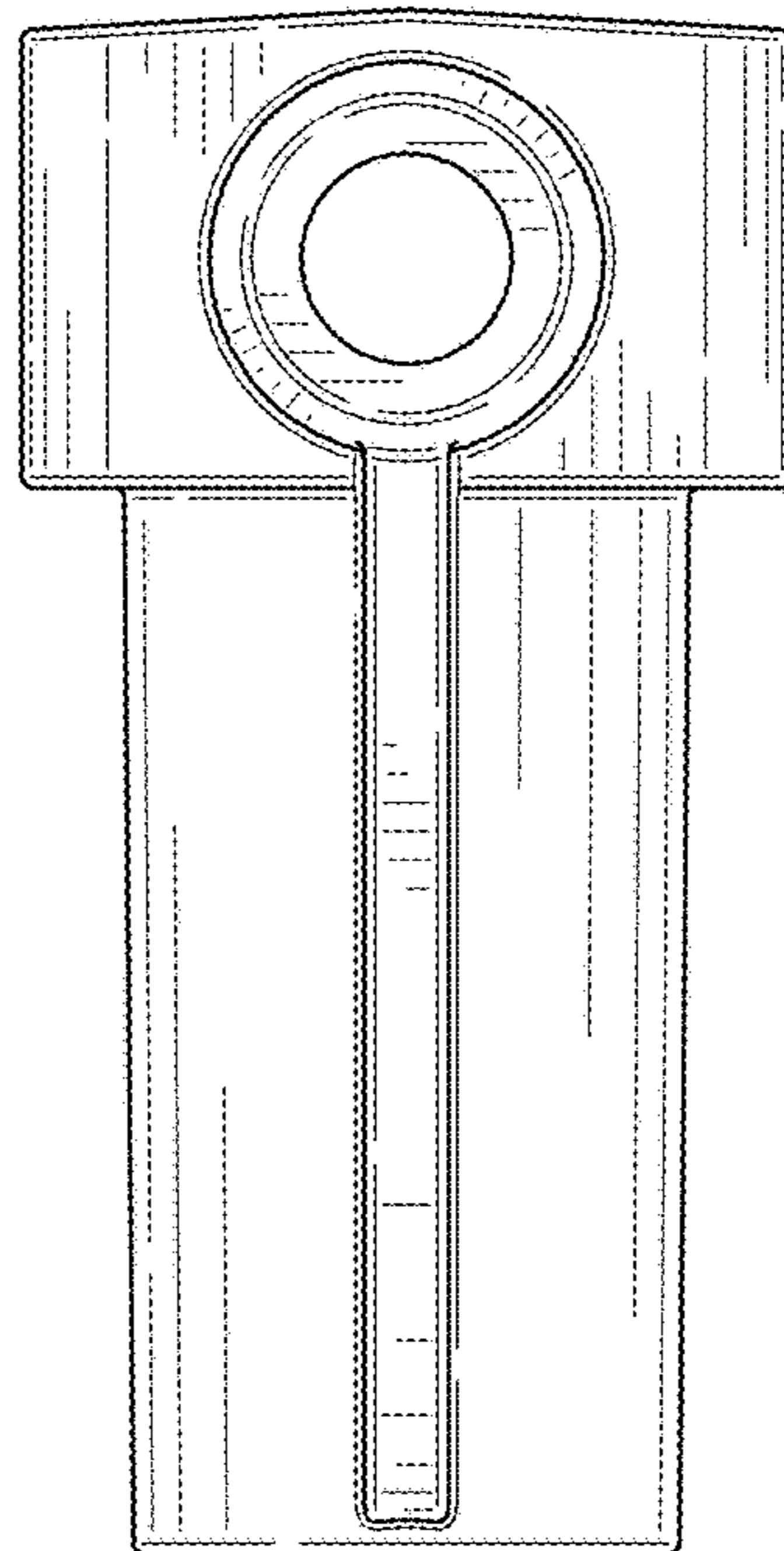


FIG. 5

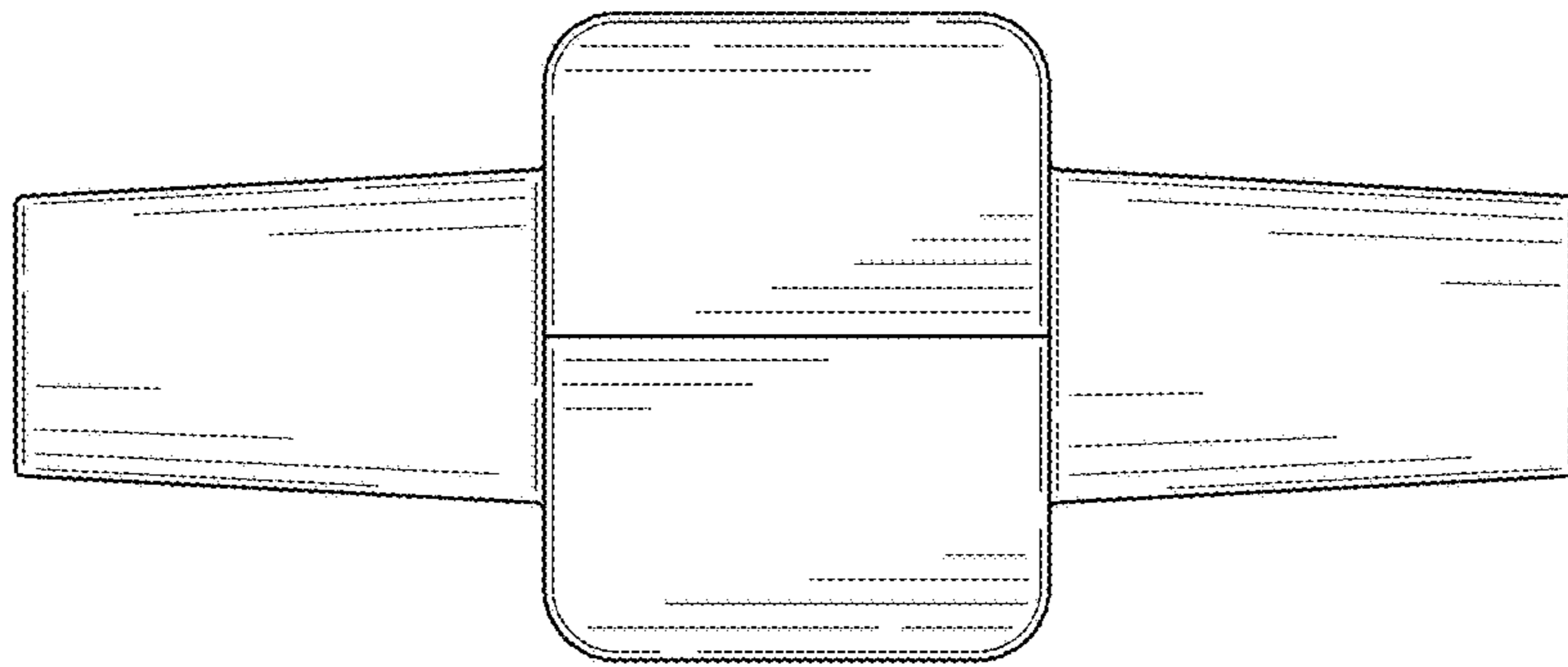


FIG. 6

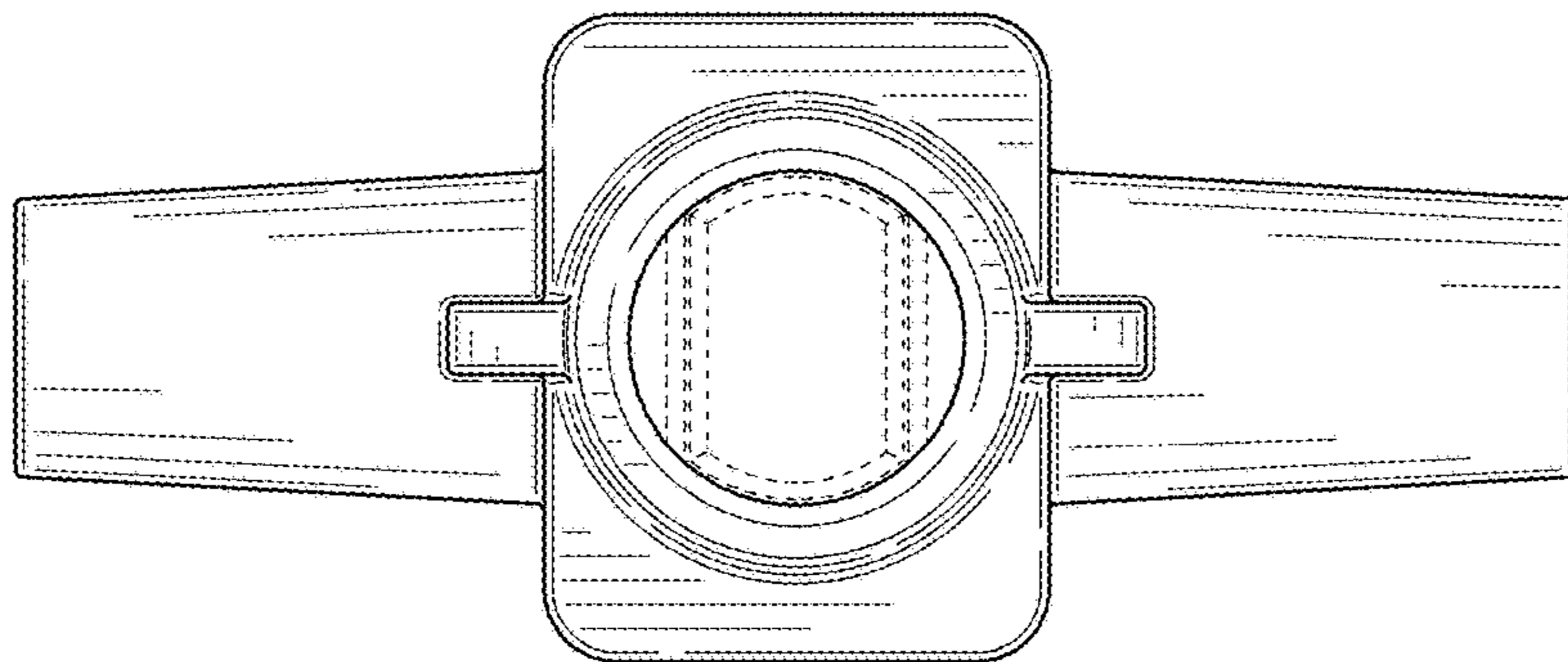


FIG. 7

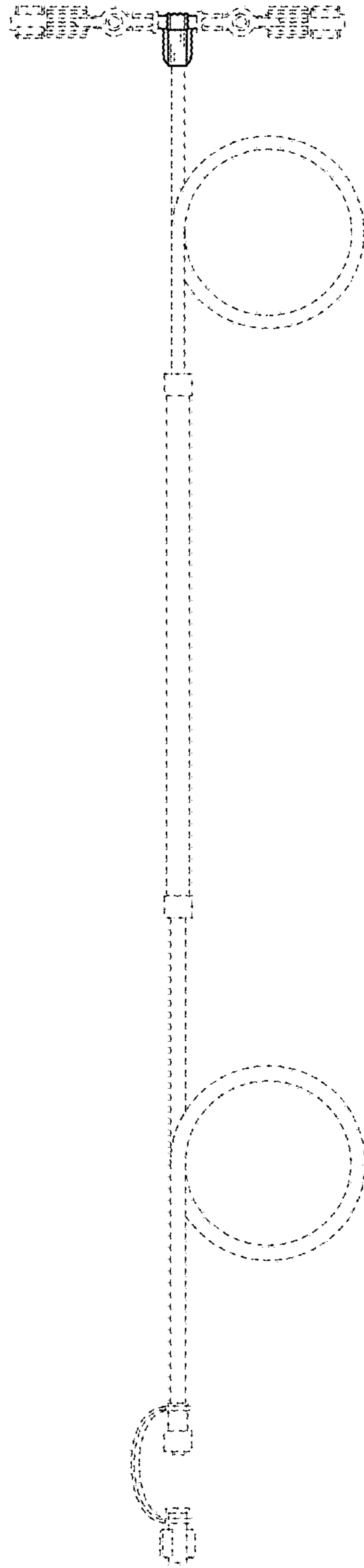


FIG. 8