



US00D850612S

(12) **United States Design Patent**
Glocker et al.

(10) **Patent No.:** **US D850,612 S**

(45) **Date of Patent:** **** Jun. 4, 2019**

(54) **INJECTION DEVICE**

2005/2407; A61M 2005/2411; A61M
2005/2414; A61M 2005/314; A61M
2005/3142

(71) Applicant: **Vetter Pharma-Fertigung GmbH & Co. KG**, Ravensburg (DE)

See application file for complete search history.

(72) Inventors: **Joachim Glocker**, Ravensburg (DE);
Roland Limbeck, Biberach (DE);
Tilman Roedle, Wolfegg (DE); **Sarah Kuehnle**, Friedrichshafen (DE); **Yossef Schvetz**, Sesto San Giovanni (IT);
Daniele Pesaresi, Reggio Emilia (IT)

(56) **References Cited**

U.S. PATENT DOCUMENTS

D476,734 S * 7/2003 Pavlu D24/112
8,945,051 B2 * 2/2015 Schriver A61M 5/007
604/131
10,117,999 B2 * 11/2018 Andersen A61M 5/20

(73) Assignee: **Vetter Pharma-Fertigung GmbH & Co. KG**, Ravensburg (DE)

* cited by examiner

Primary Examiner — Antoine Duval Davis

(**) Term: **15 Years**

(74) *Attorney, Agent, or Firm* — Muncy, Geissler, Olds & Lowe, P.C.

(21) Appl. No.: **29/615,989**

(57) **CLAIM**

(22) Filed: **Sep. 1, 2017**

The ornamental design for injection device, as shown and described.

(30) **Foreign Application Priority Data**

DESCRIPTION

Mar. 3, 2017 (EM) 003782416-0003

(51) **LOC (11) Cl.** **24-02**

(52) **U.S. Cl.**
USPC **D24/112**; D24/129

(58) **Field of Classification Search**
USPC D10/46; D24/108, 112, 129
CPC A61M 5/00; A61M 5/178; A61M 5/1782;
A61M 5/20; A61M 5/2033; A61M 5/24;
A61M 5/28; A61M 5/30; A61M 5/31;
A61M 5/3134; A61M 5/3135; A61M
5/3245; A61M 2005/2026; A61M
2005/206; A61M 2005/2403; A61M

FIG. 1 is a front perspective view of injection device according to the present invention.

FIG. 2 is a top view of the injection device of FIG. 1.

FIG. 3 is a bottom view of the injection device of FIG. 1.

FIG. 4 is a left side view of the injection device of FIG. 1.

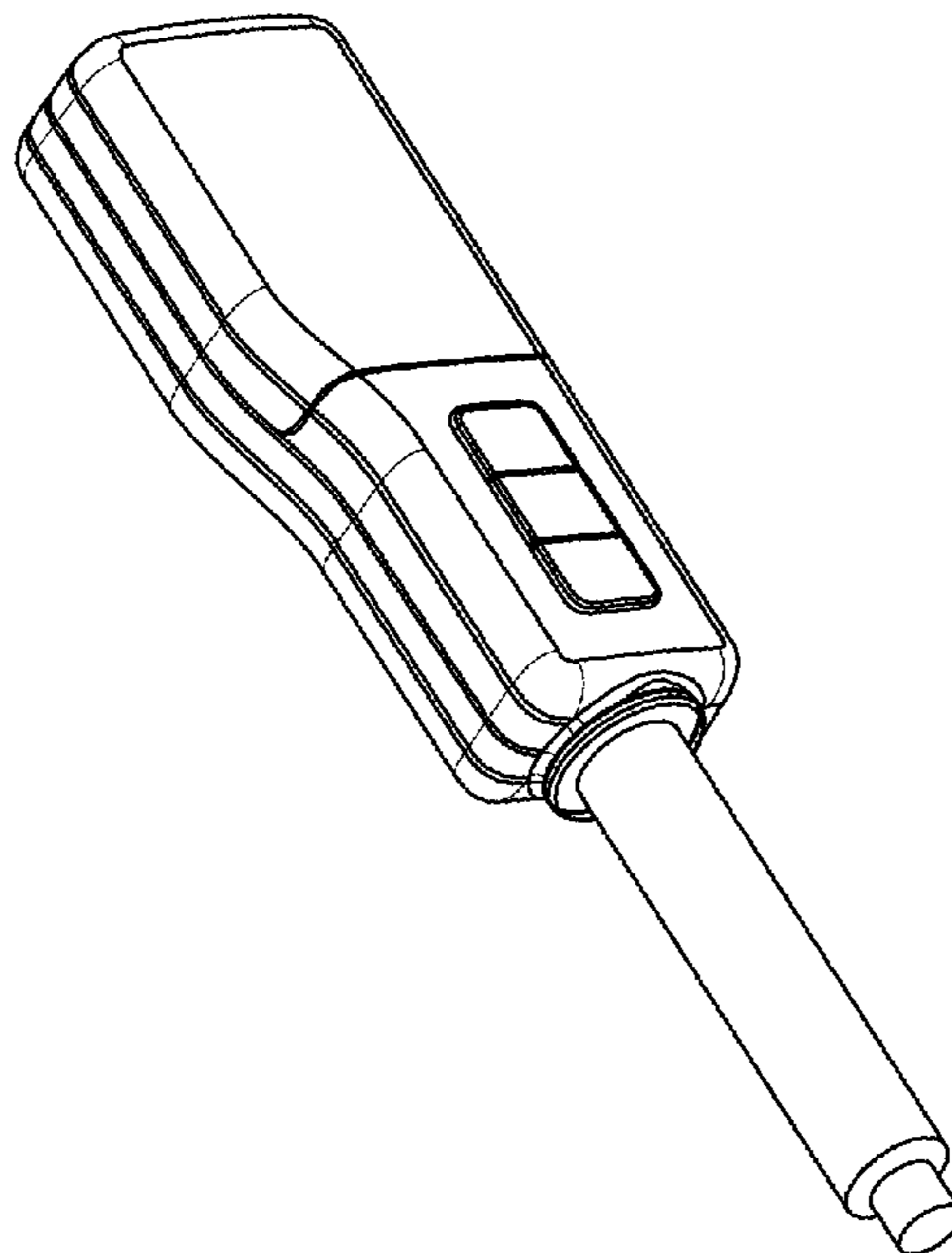
FIG. 5 is a right side view of the injection device of FIG. 1.

FIG. 6 is a rear view of the injection device of FIG. 1; and,

FIG. 7 is a front view of the injection device of FIG. 1.

The dashed lines illustrate environment that does not form a part of the present invention, and no claim is made to the material illustrated with dashed lines.

1 Claim, 7 Drawing Sheets



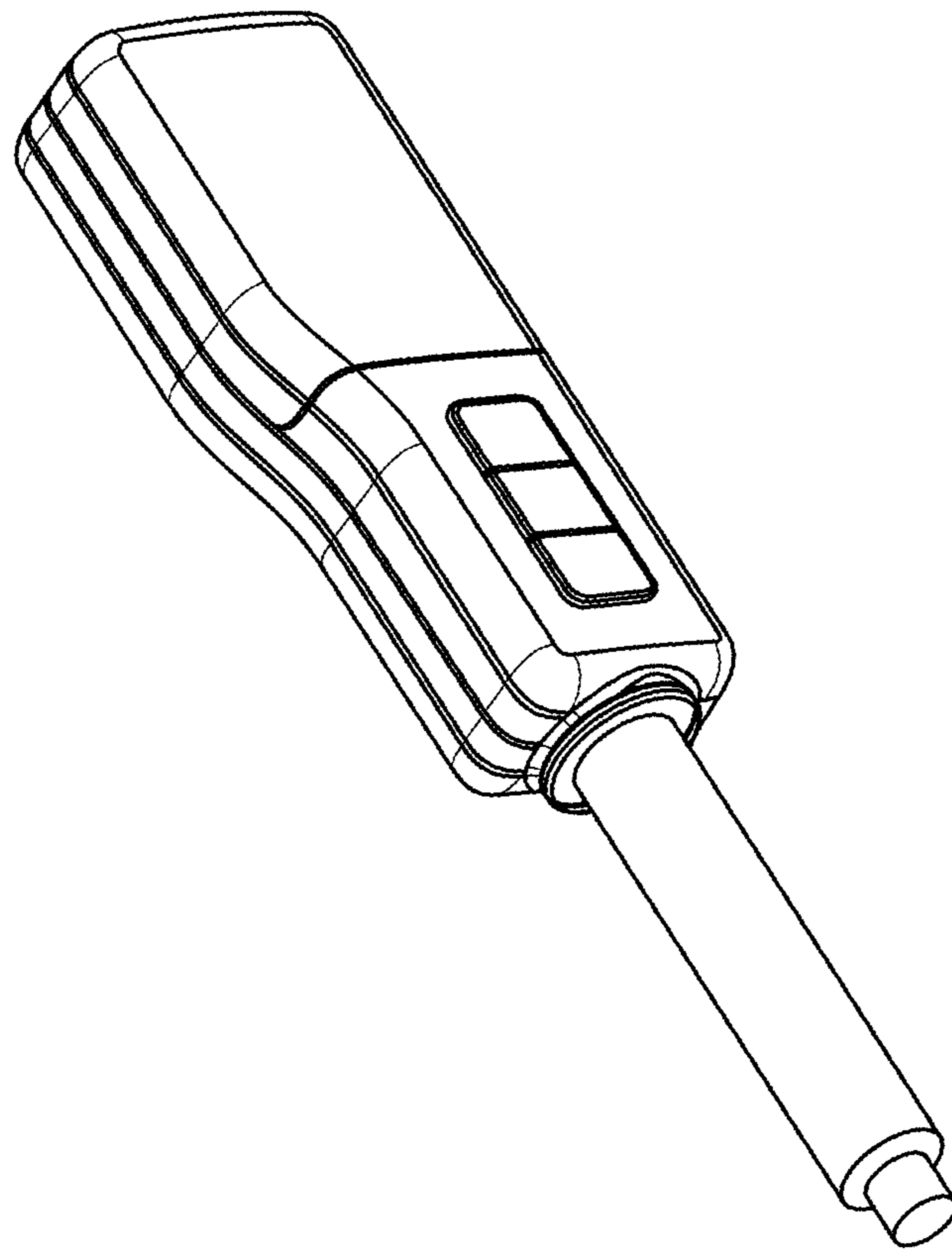


FIG. 1

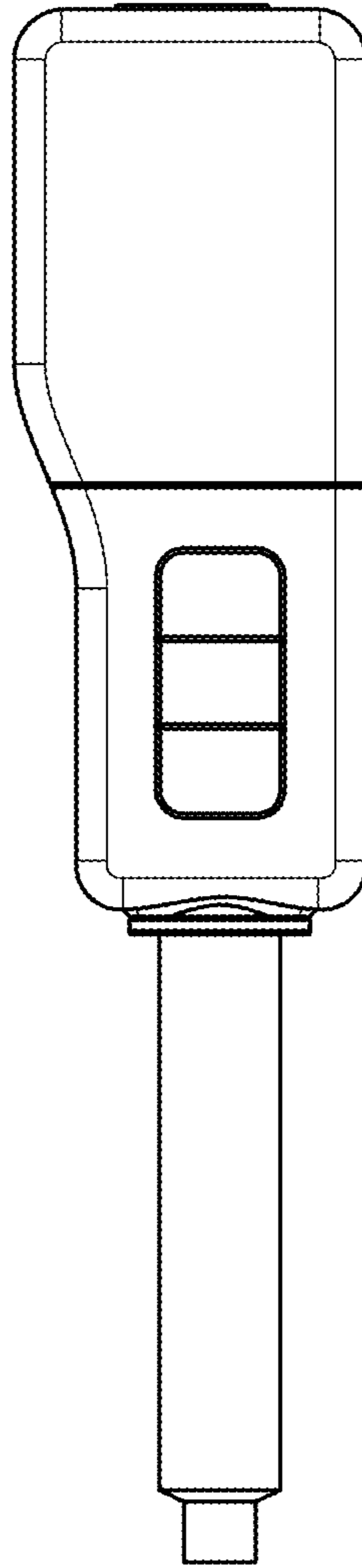


FIG. 2

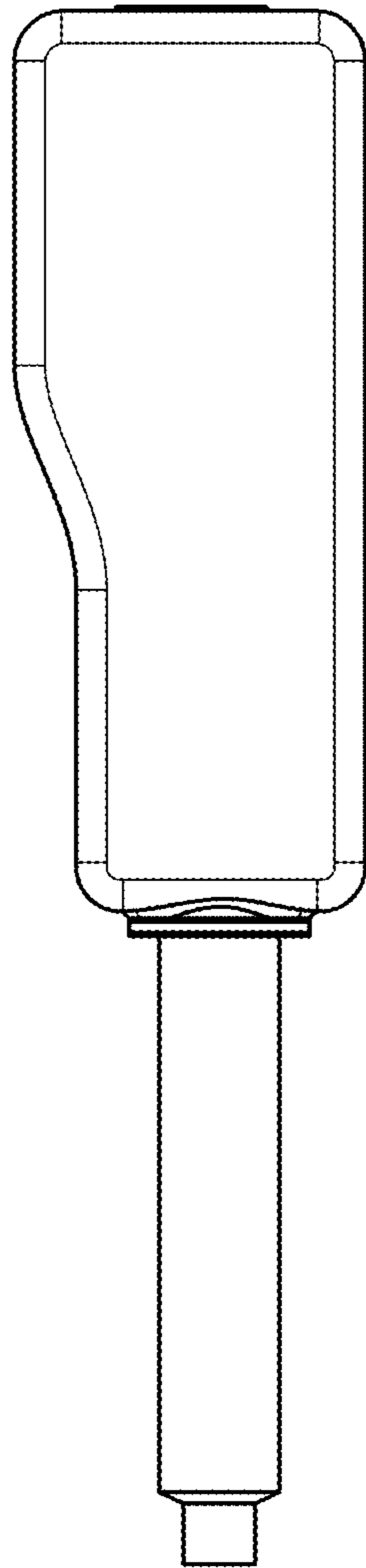


FIG. 3

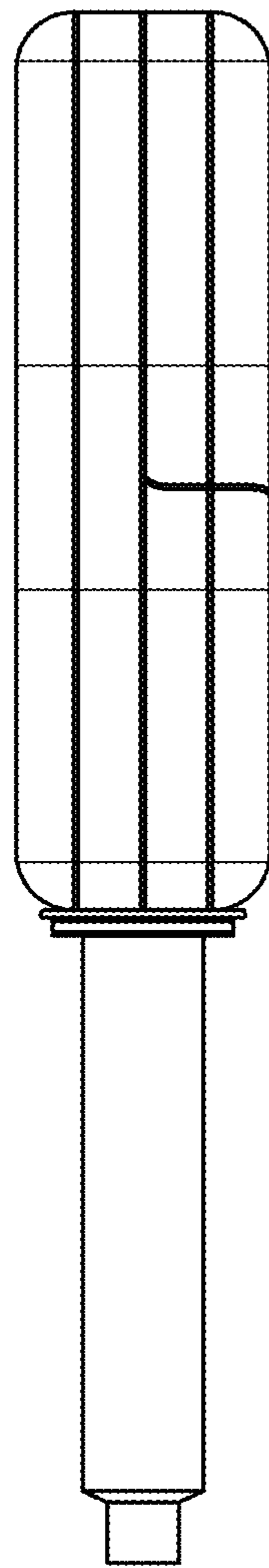


FIG. 4

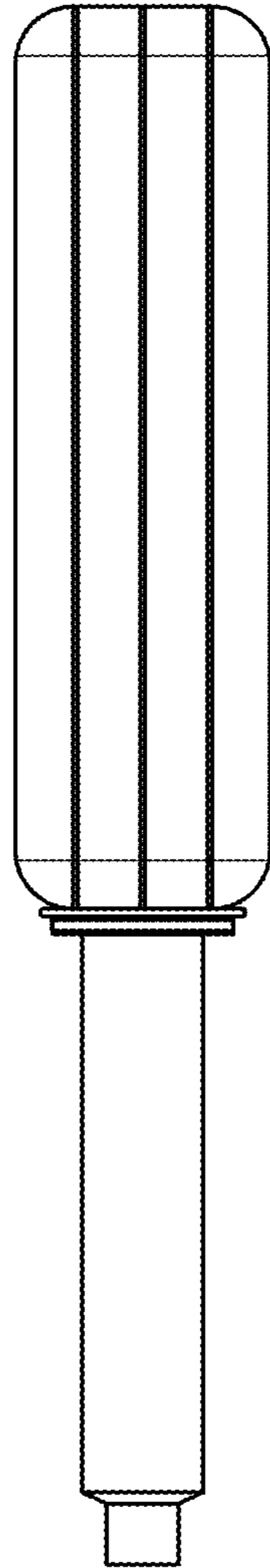


FIG. 5

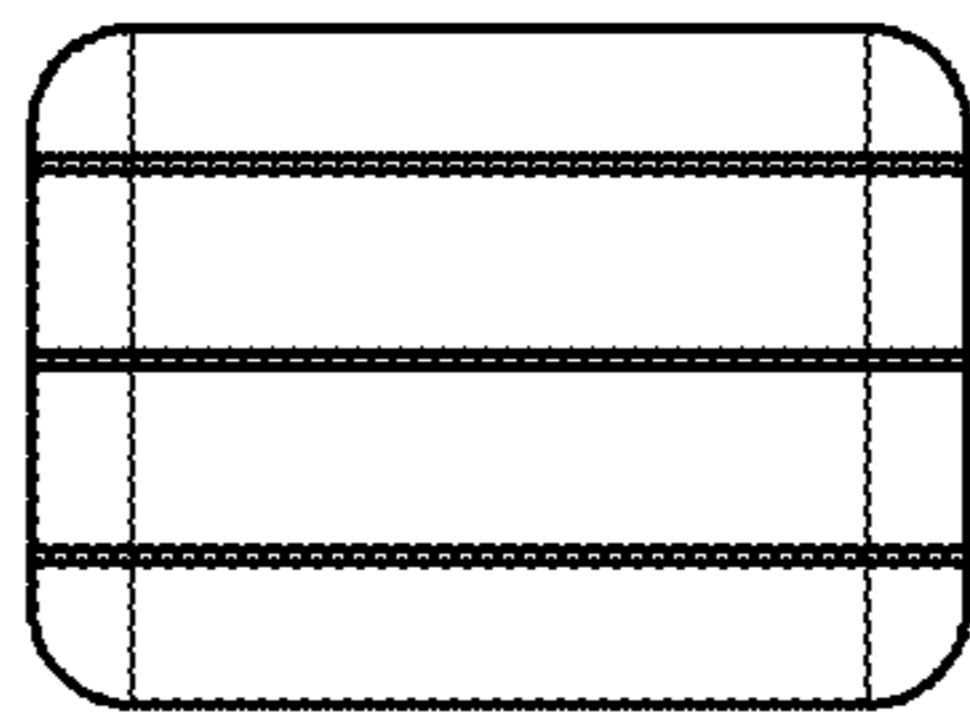


FIG. 6

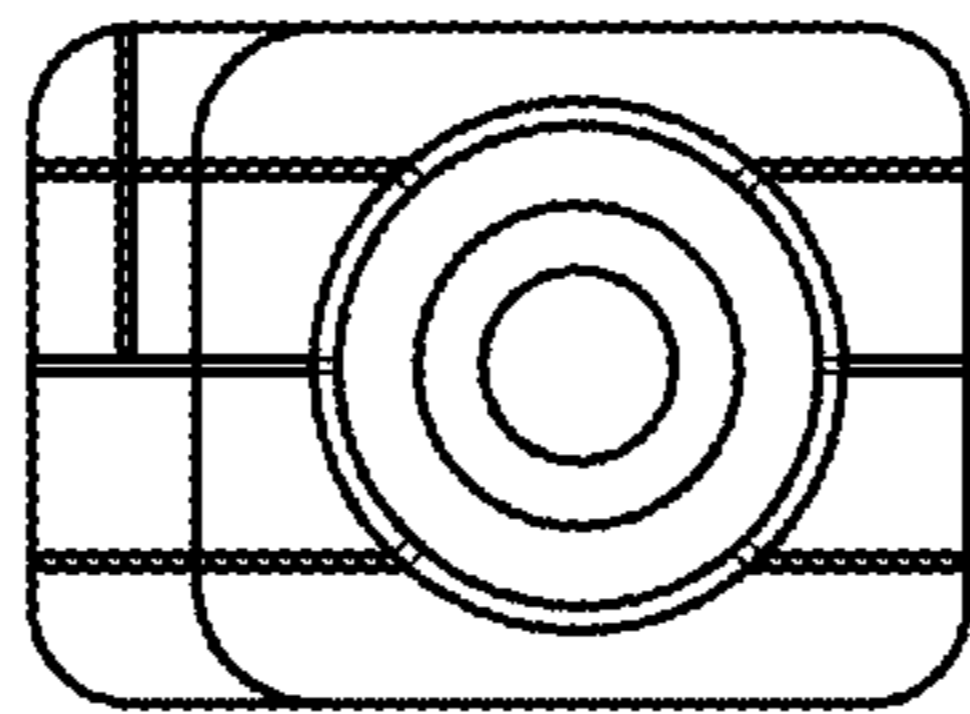


FIG. 7