

US00D850611S

(12) **United States Design Patent**  
**Hidalgo**

(10) **Patent No.:** **US D850,611 S**

(45) **Date of Patent:** **\*\* Jun. 4, 2019**

(54) **CEILING FAN HOUSING**

(71) Applicant: **Minka Lighting, Inc.**, Corona, CA  
(US)

(72) Inventor: **Rolando Hidalgo**, Yorba Linda, CA  
(US)

(73) Assignee: **Minka Lighting, Inc.**, Corona, CA  
(US)

(\*\*) Term: **15 Years**

(21) Appl. No.: **29/649,878**

(22) Filed: **Jun. 1, 2018**

**Related U.S. Application Data**

(63) Continuation-in-part of application No. 29/590,111,  
filed on Jan. 6, 2017, now abandoned.

(51) **LOC (11) Cl.** ..... **23-04**

(52) **U.S. Cl.**  
USPC ..... **D23/411**

(58) **Field of Classification Search**

USPC ..... D23/370-379, 385, 411; D26/59

CPC ..... F04D 25/088; F04D 25/06; F04D 29/00;

F24F 7/00; F04B 17/00

See application file for complete search history.

(56) **References Cited**

**U.S. PATENT DOCUMENTS**

D562,972 S \* 2/2008 Pickett ..... D23/411

D598,535 S \* 8/2009 Young ..... D23/411

D618,787 S *	6/2010	Hidalgo	.....	D23/411
D706,410 S *	6/2014	Pan	.....	D23/411
D782,025 S *	3/2017	Pickett	.....	D23/377
D783,145 S *	4/2017	Wang	.....	D23/411
D799,684 S *	10/2017	Wang	.....	D23/411
D805,182 S *	12/2017	Pickett	.....	D23/411
D821,009 S *	6/2018	Holmes	.....	D26/59
D825,051 S *	8/2018	Guthrie	.....	D23/411
D825,086 S *	8/2018	Holmes	.....	D26/59
D834,700 S *	11/2018	Hidalgo	.....	D23/411

\* cited by examiner

*Primary Examiner* — Janice Hallmark

(74) *Attorney, Agent, or Firm* — Joseph R. Lanser;  
Seyfarth Shaw LLP

(57) **CLAIM**

The ornamental design for a ceiling fan housing, as shown  
and described.

**DESCRIPTION**

FIG. 1 is a perspective view of a ceiling fan housing in  
accordance with my design;

FIG. 2 is a top plan view thereof;

FIG. 3 is a bottom plan view thereof;

FIG. 4 is a front elevation view thereof;

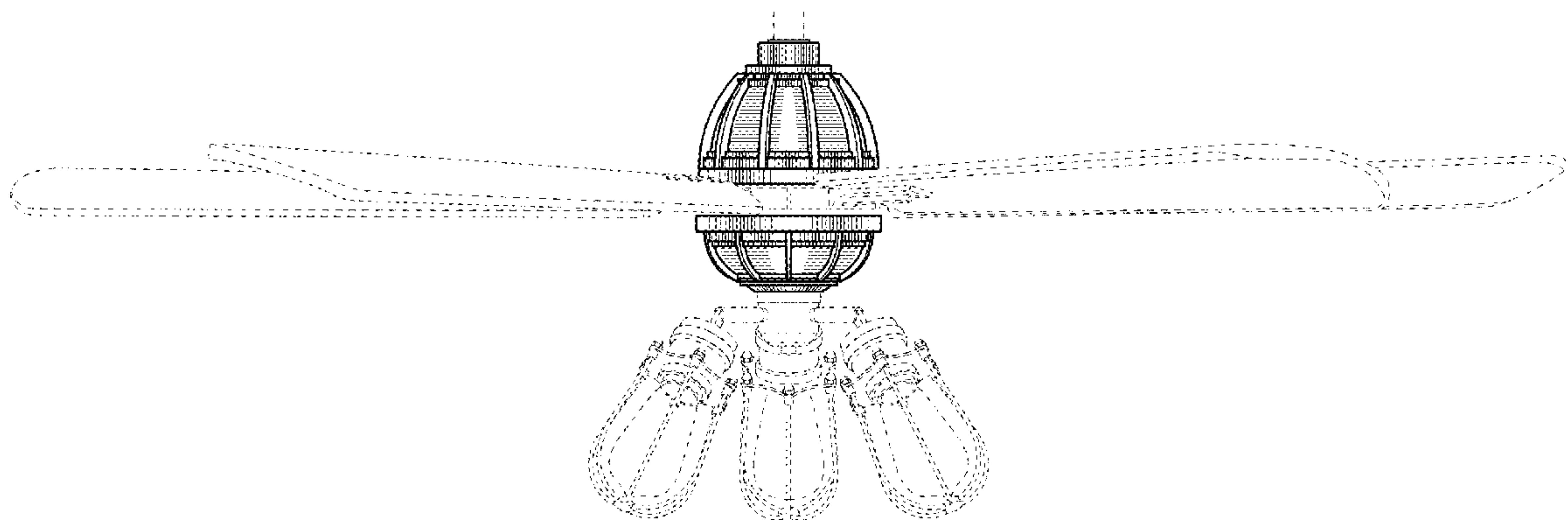
FIG. 5 is a rear elevation view thereof;

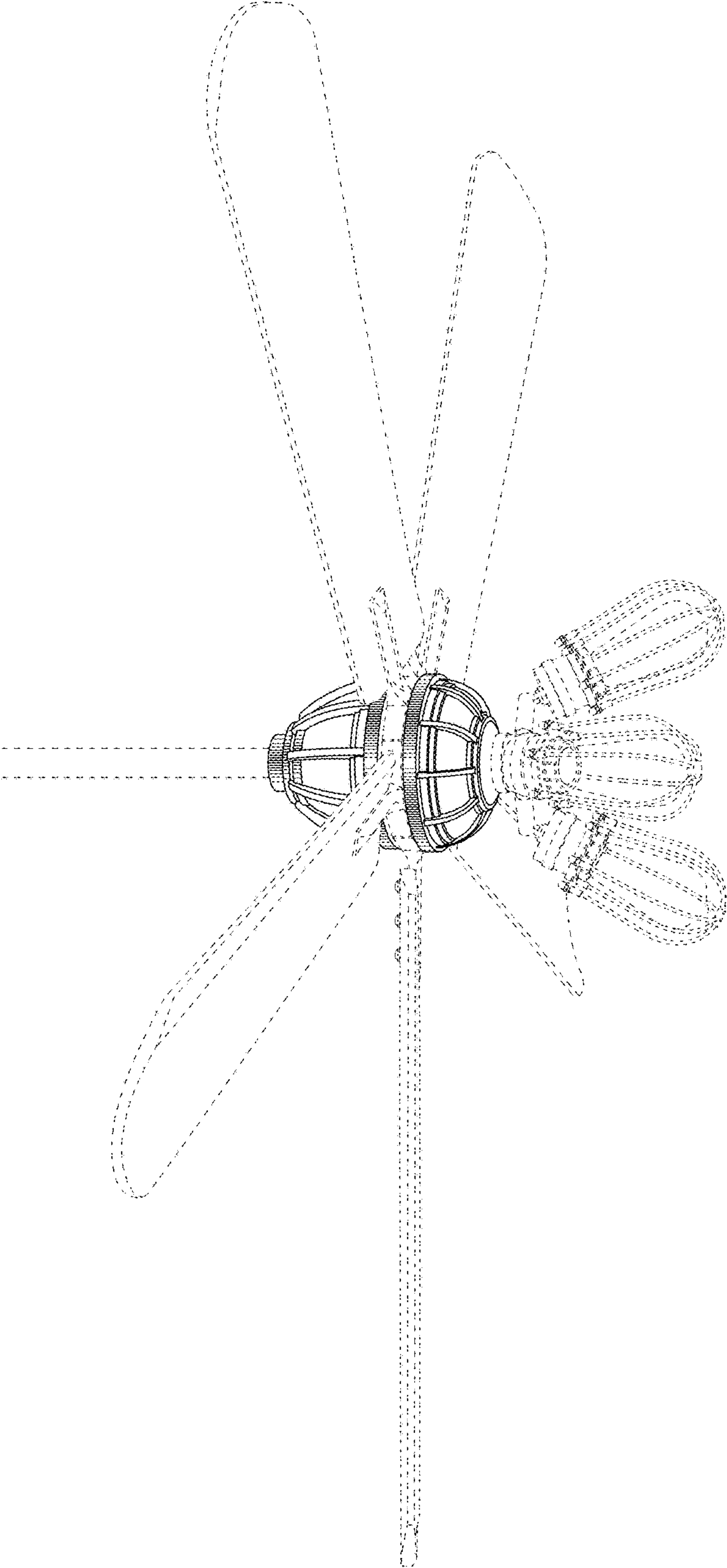
FIG. 6 is a left elevation view thereof; and,

FIG. 7 is a right elevation view thereof.

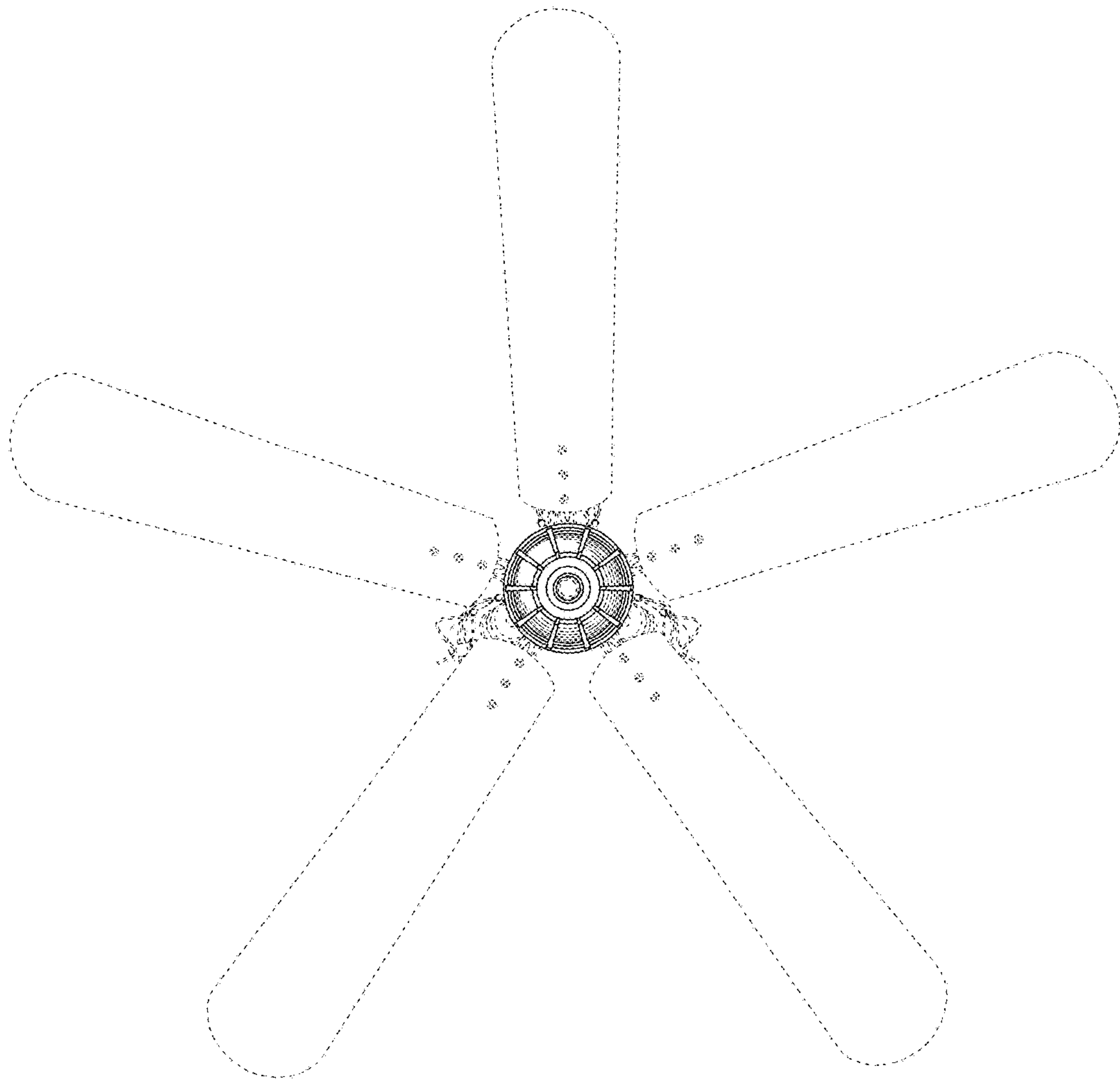
The broken lines in the drawings illustrate portions of the  
ceiling fan that form no part of the claimed design.

**1 Claim, 5 Drawing Sheets**

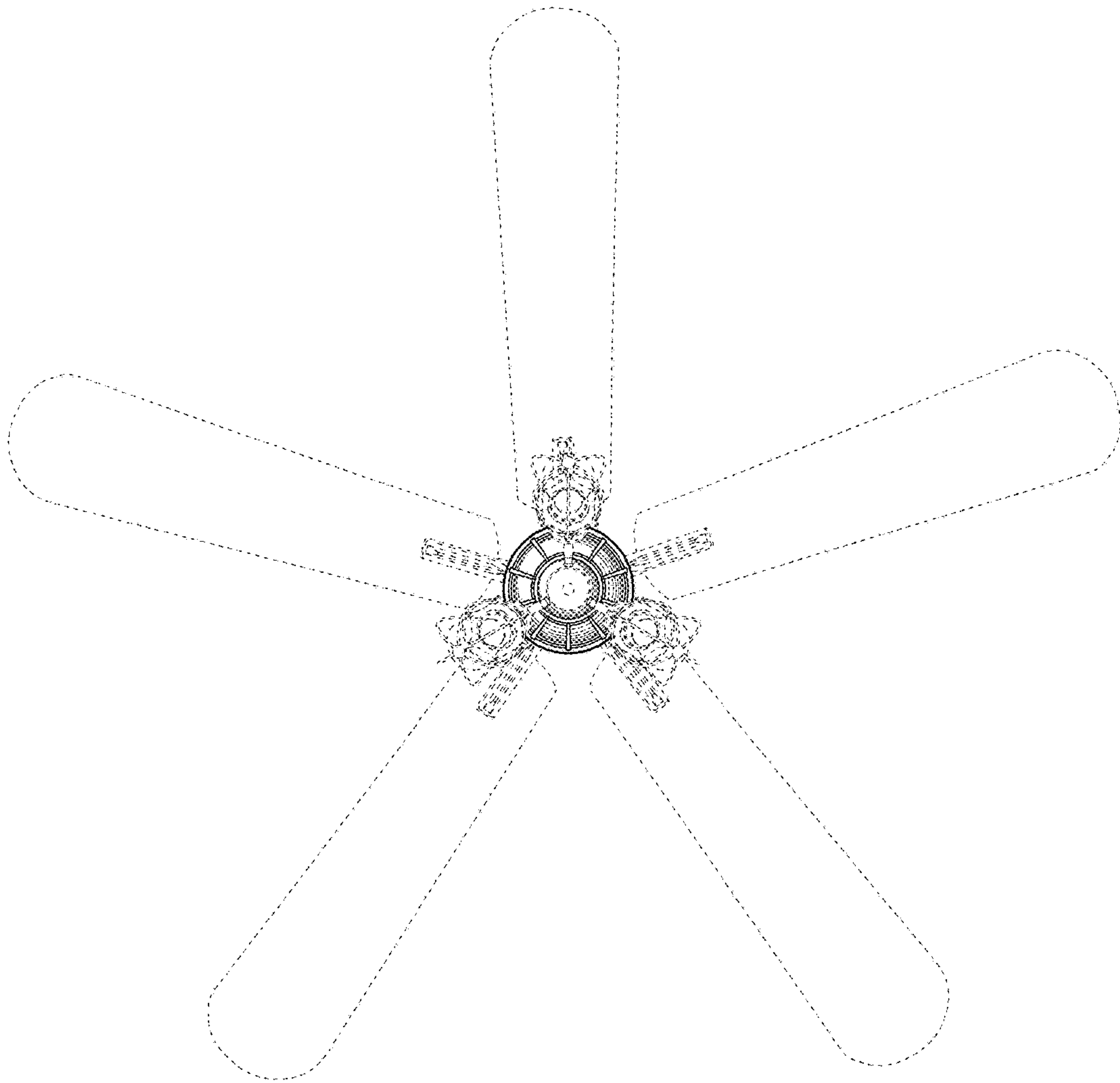




*Fig. 1*



*Fig.2*



*Fig.3*

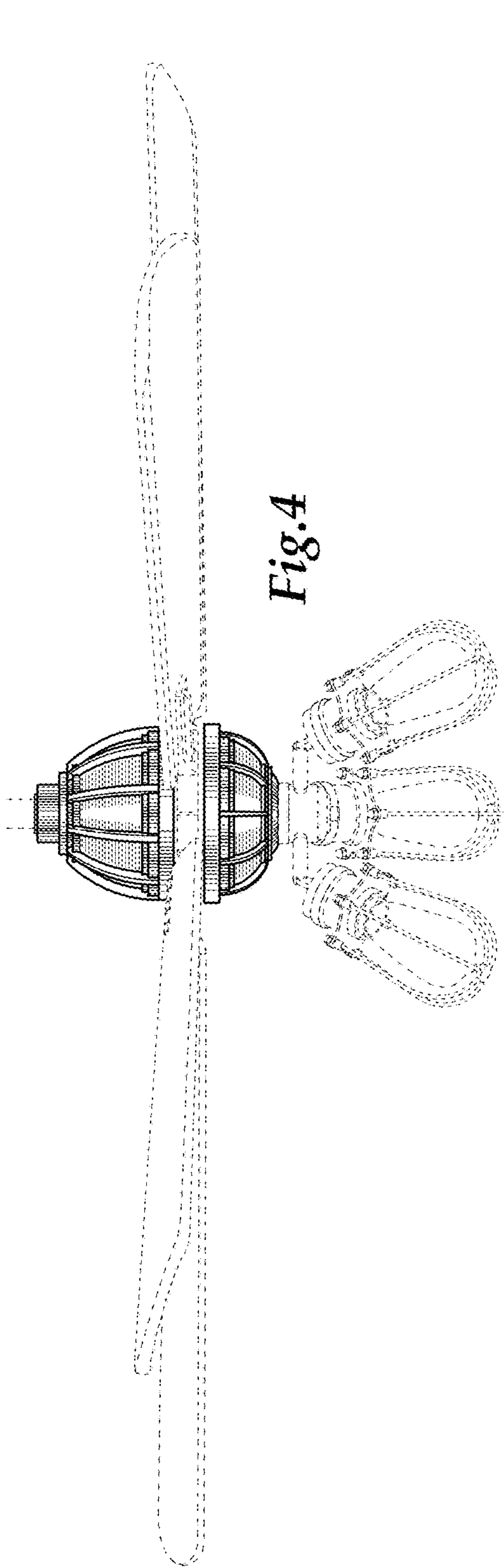


Fig. 4

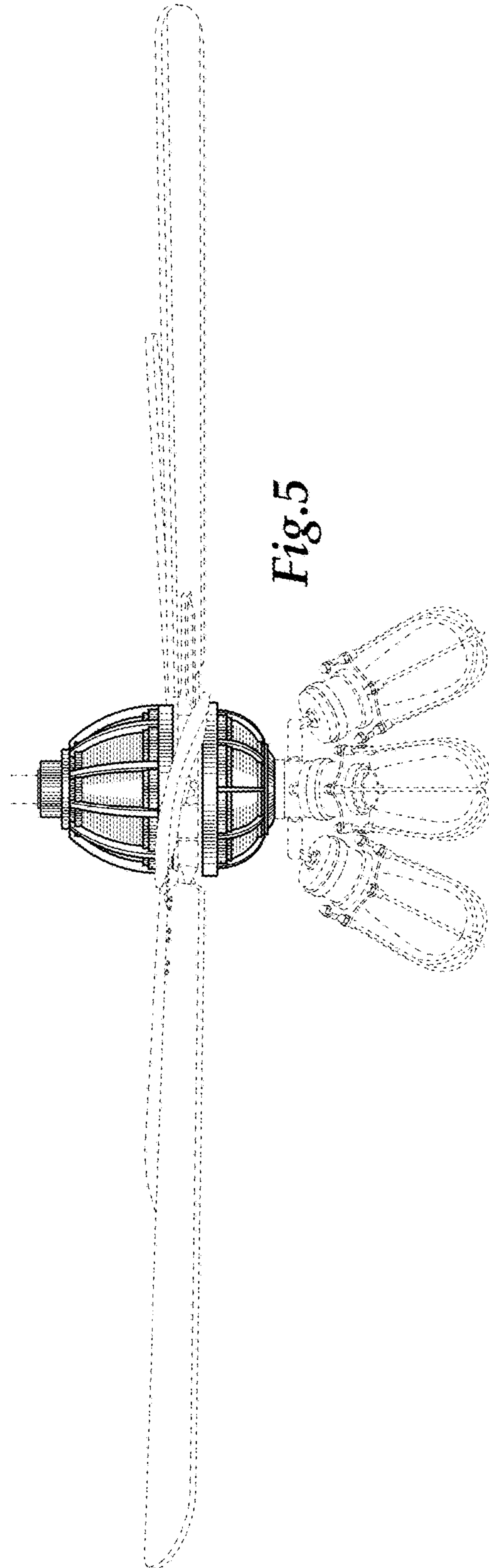


Fig. 5



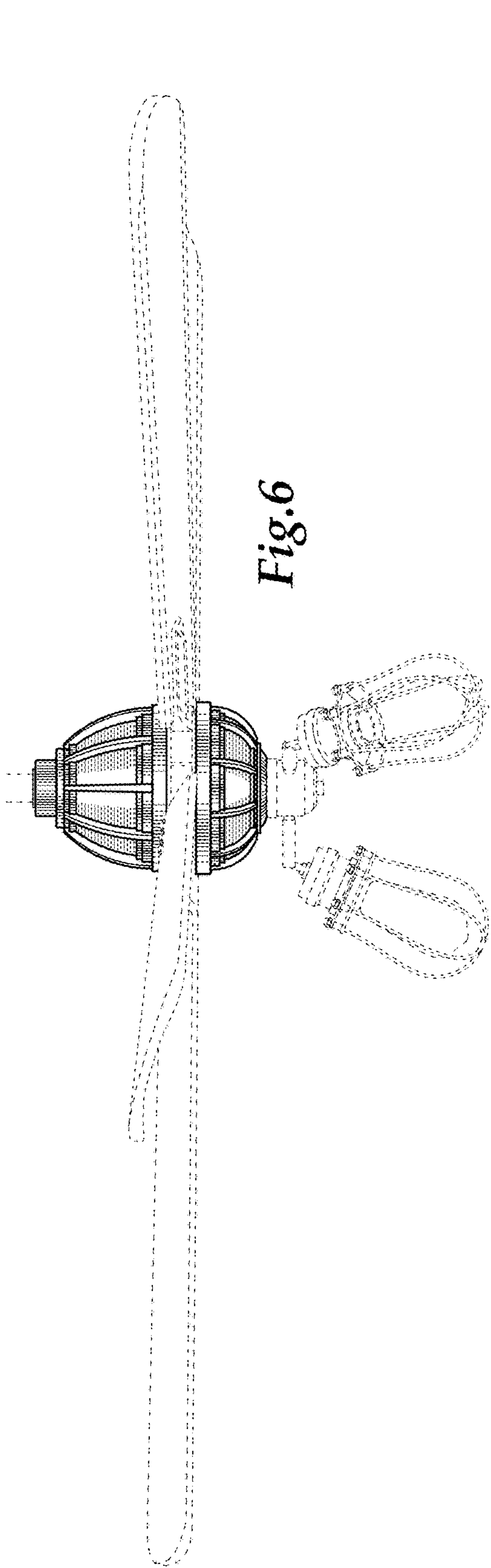


Fig. 6

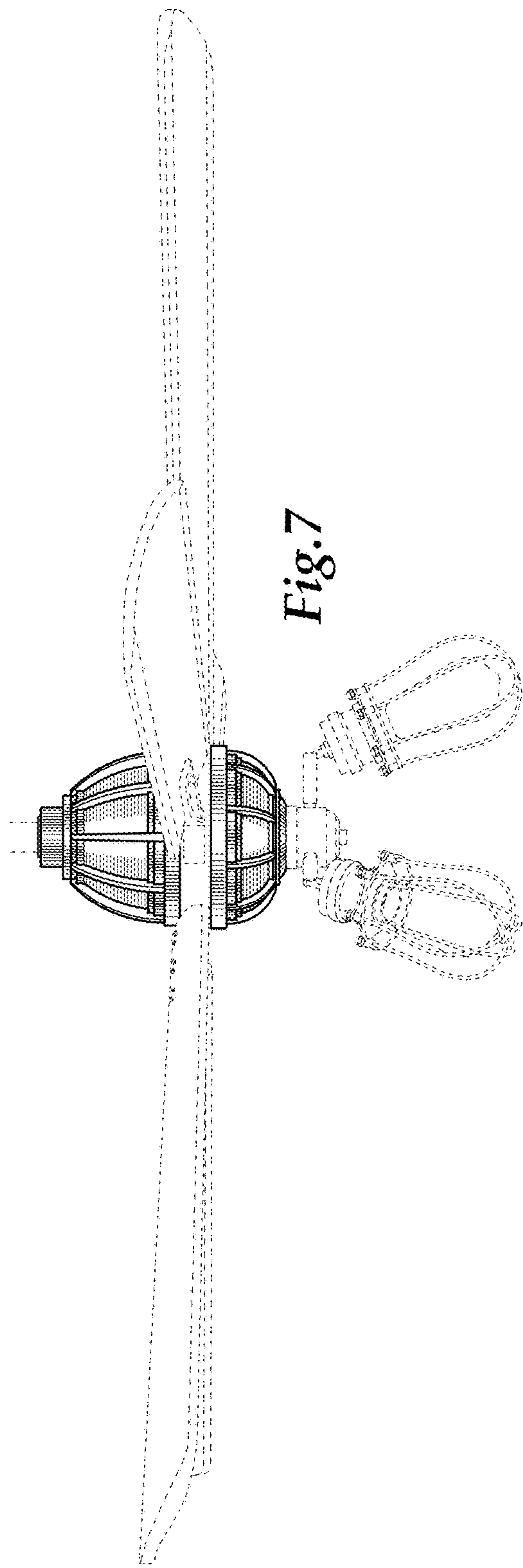


Fig. 7