



US00D850610S

(12) **United States Design Patent**
Drummond

(10) **Patent No.:** **US D850,610 S**
(45) **Date of Patent:** **** Jun. 4, 2019**

- (54) **VENTILATION DUCT INSERT**
- (71) Applicant: **Trevor Drummond**, Almonte (CA)
- (72) Inventor: **Trevor Drummond**, Almonte (CA)
- (**) Term: **15 Years**
- (21) Appl. No.: **29/554,938**
- (22) Filed: **Feb. 17, 2016**
- (30) **Foreign Application Priority Data**

Aug. 24, 2015 (CA) 164029

(51) **LOC (11) Cl.** **23-04**

(52) **U.S. Cl.**
USPC **D23/393**

(58) **Field of Classification Search**
USPC D23/387, 354, 393
CPC B60R 2011/0007
See application file for complete search history.

(56) **References Cited**

U.S. PATENT DOCUMENTS

- 1,709,650 A * 4/1929 Allen B60H 1/3407
237/46
- 4,457,215 A 7/1984 Vogt
- 5,919,582 A * 7/1999 Pedicini H01M 6/50
429/407
- 6,183,359 B1 * 2/2001 Klein F24F 13/082
454/259
- D683,441 S * 5/2013 Simone D23/393
- 2007/0015456 A1 1/2007 Lowtan
- 2010/0062704 A1 3/2010 Markovich

OTHER PUBLICATIONS

Examiner's Report dated Dec. 15, 2015 with respect to corresponding Canadian industrial design application (priority application) No. 164029.

* cited by examiner

Primary Examiner — Charles D Hanson
(74) *Attorney, Agent, or Firm* — Young Law Firm, P.C.

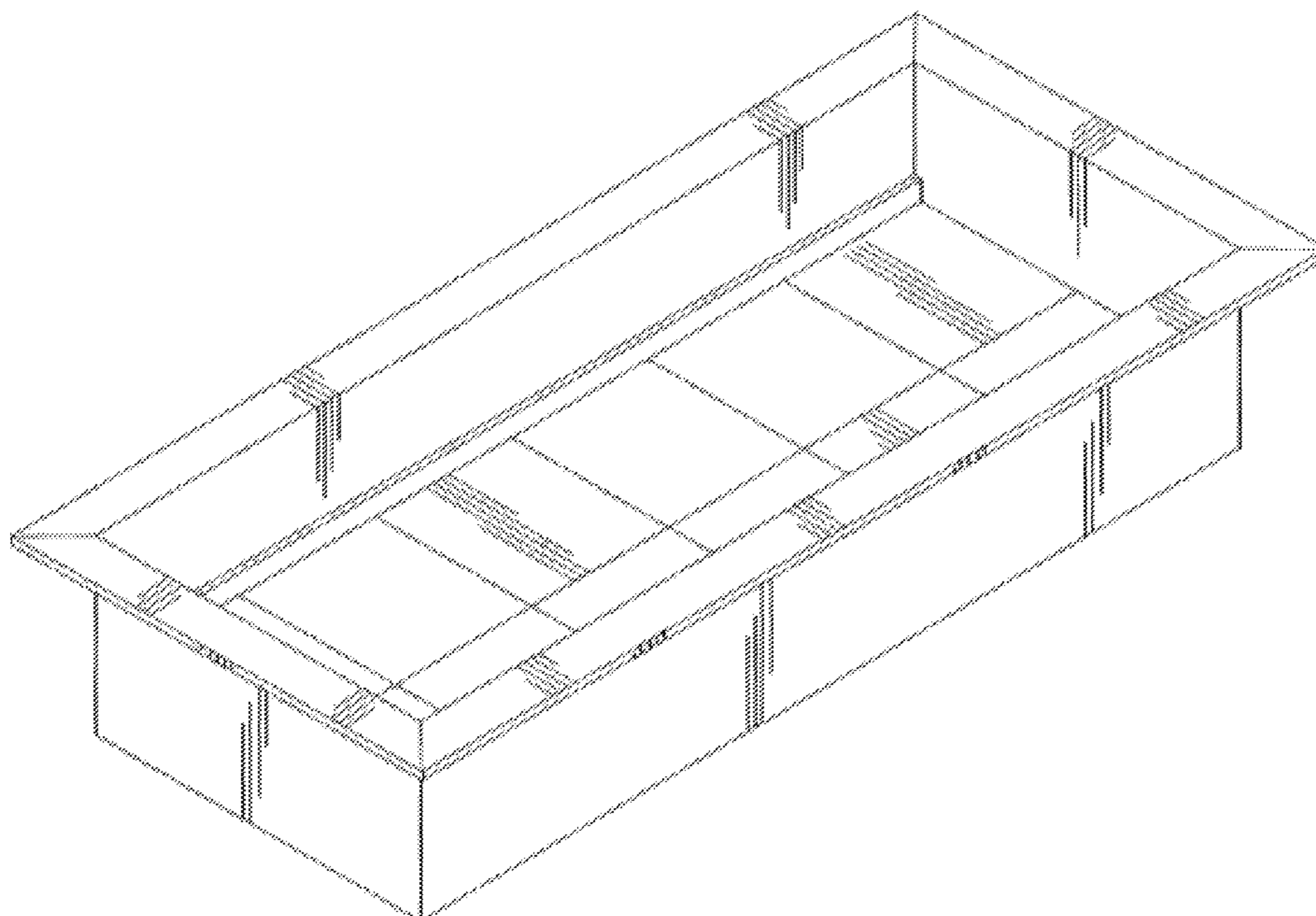
(57) **CLAIM**

The ornamental design for a ventilation duct insert, as shown and described.

DESCRIPTION

FIG. 1 is a perspective view of a ventilation duct insert, with the flaps closed;
 FIG. 2 is a top view of the ventilation duct insert of FIG. 1, with the flaps closed;
 FIG. 3 is a bottom view of the ventilation duct insert of FIG. 1, with the flaps closed;
 FIG. 4 is a left side view of the ventilation duct insert shown in FIG. 1;
 FIG. 5 is a right side view of the ventilation duct insert shown in FIG. 1;
 FIG. 6 is a front side view of the ventilation duct insert shown in FIG. 1;
 FIG. 7 is a rear side view of the ventilation duct insert shown in FIG. 1;
 FIG. 8 is a cross-sectional view through line 8-8 of the ventilation duct insert shown in FIG. 2;
 FIG. 9 is a cross-sectional view through line 9-9 of the ventilation duct insert shown in FIG. 2;
 FIG. 10 is a front perspective view of the ventilation duct insert of FIG. 1, with one flap open; and,
 FIG. 11 is a front perspective view of the ventilation duct insert as shown in FIG. 1, with all flaps open.

1 Claim, 8 Drawing Sheets



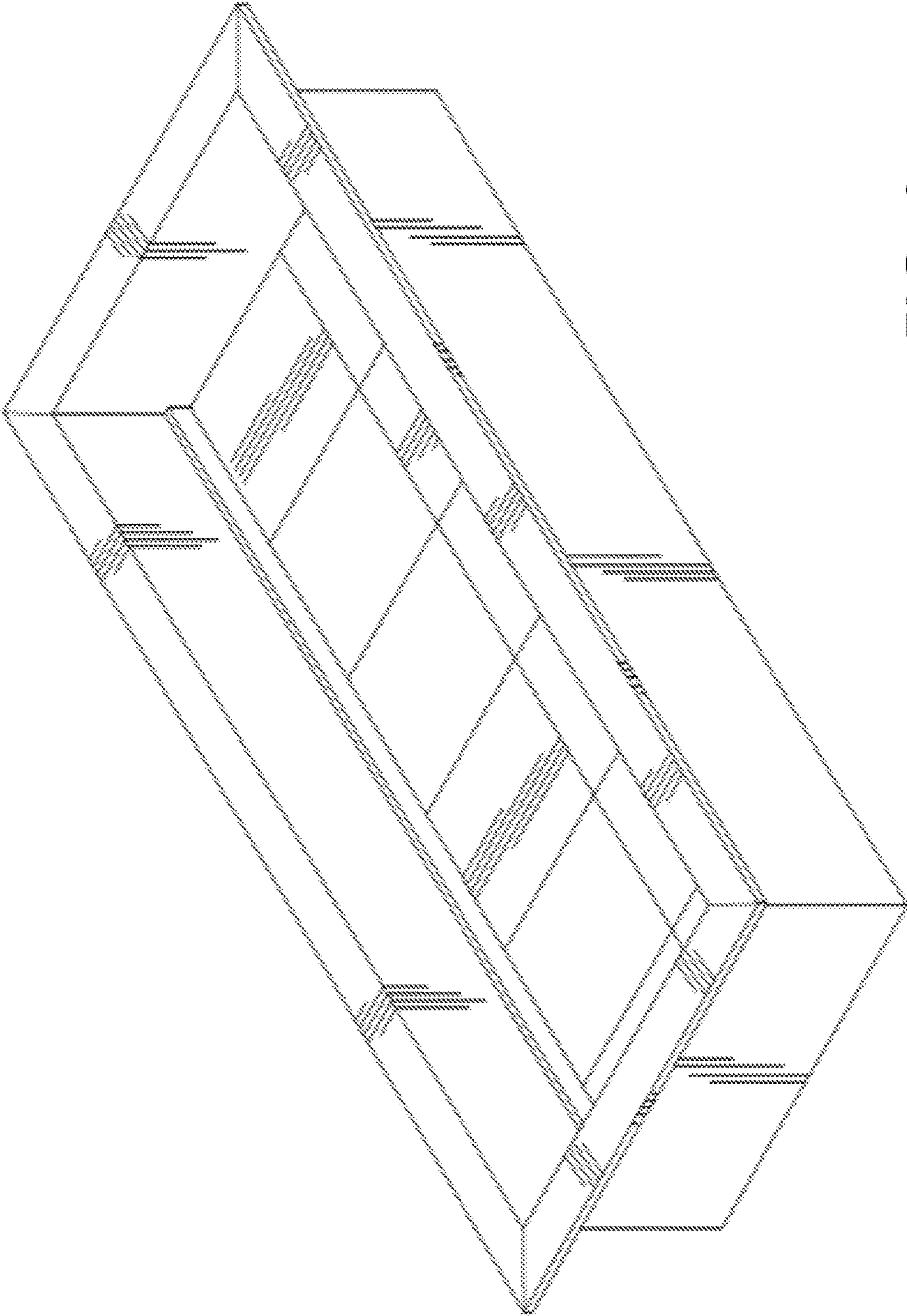


FIG. 1

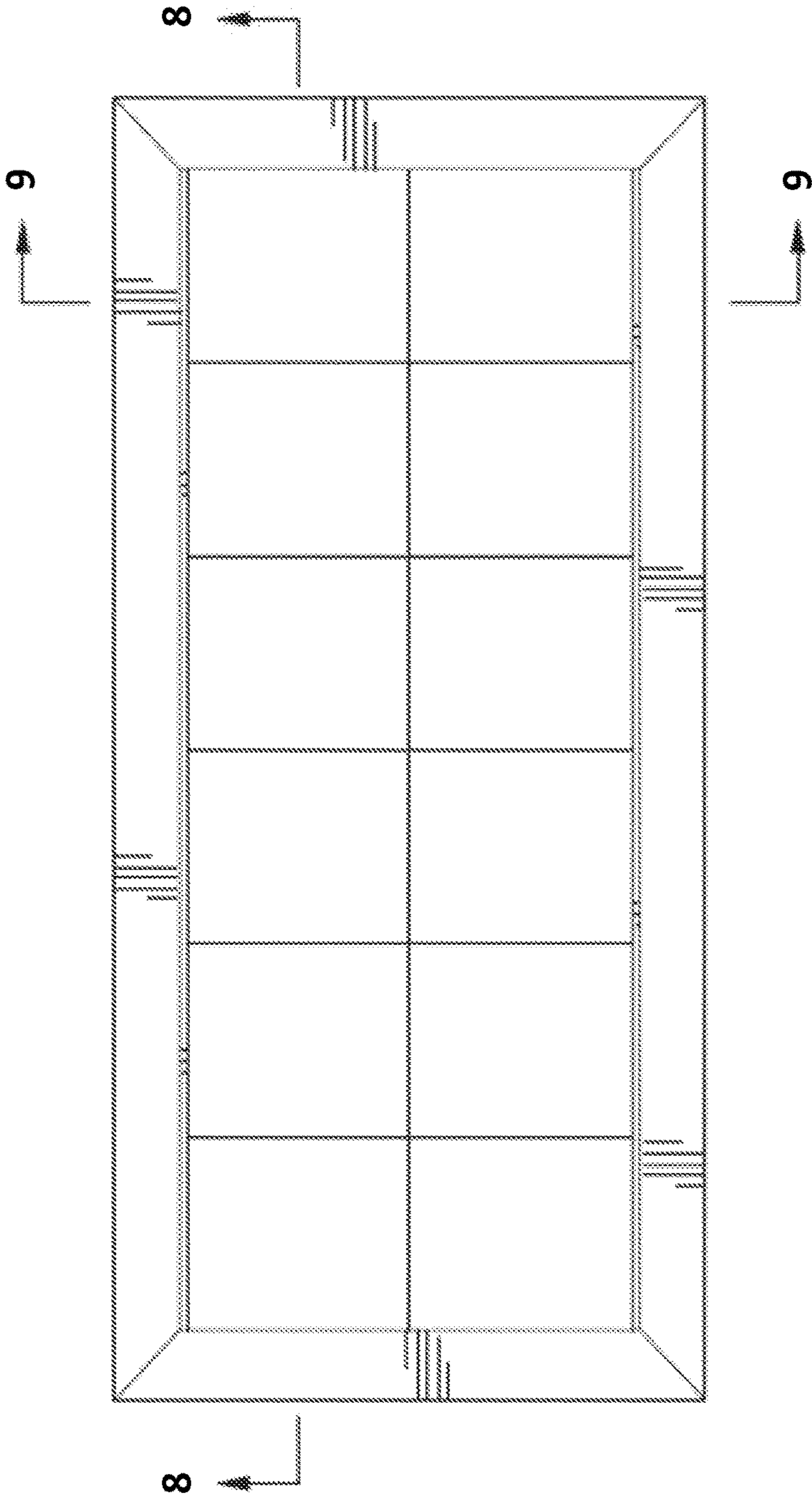


FIG. 2

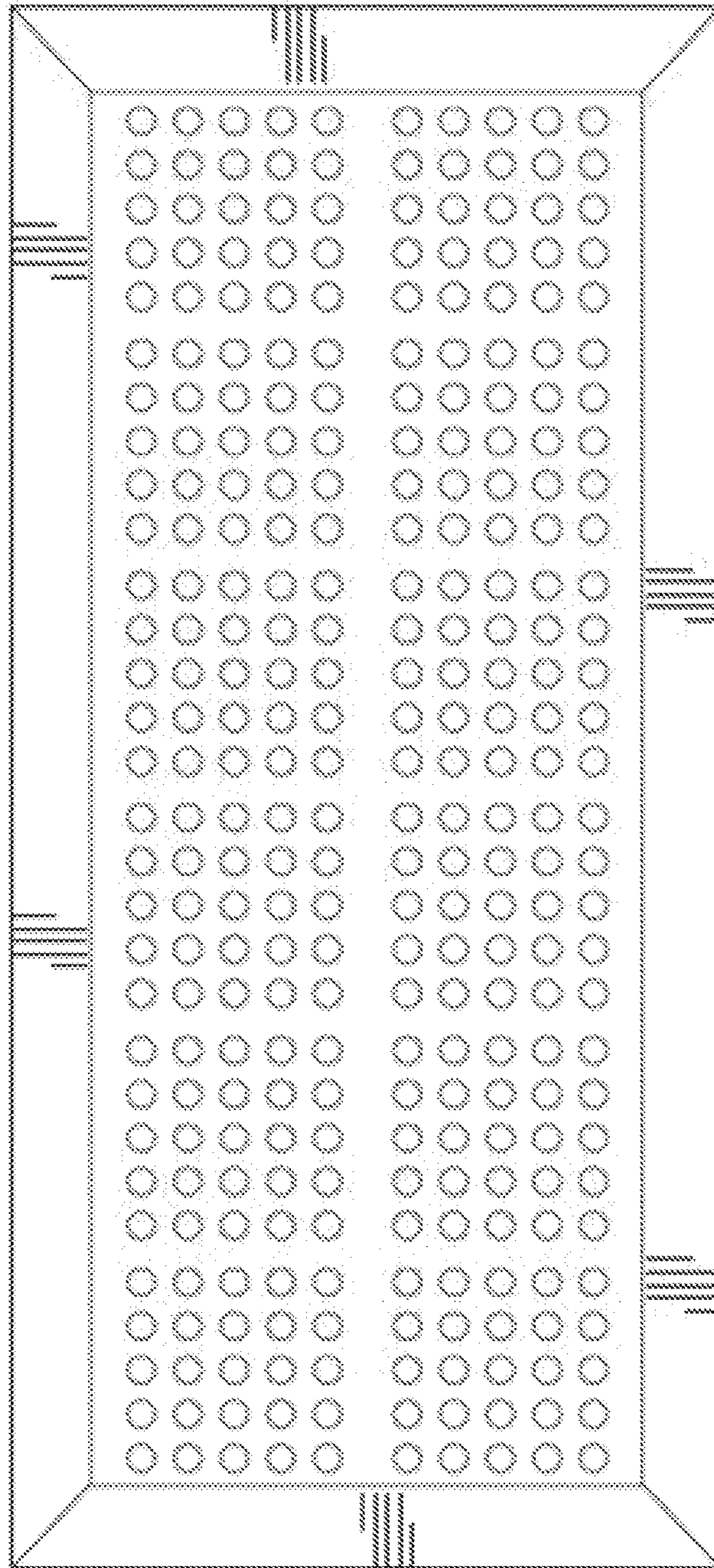


FIG. 3

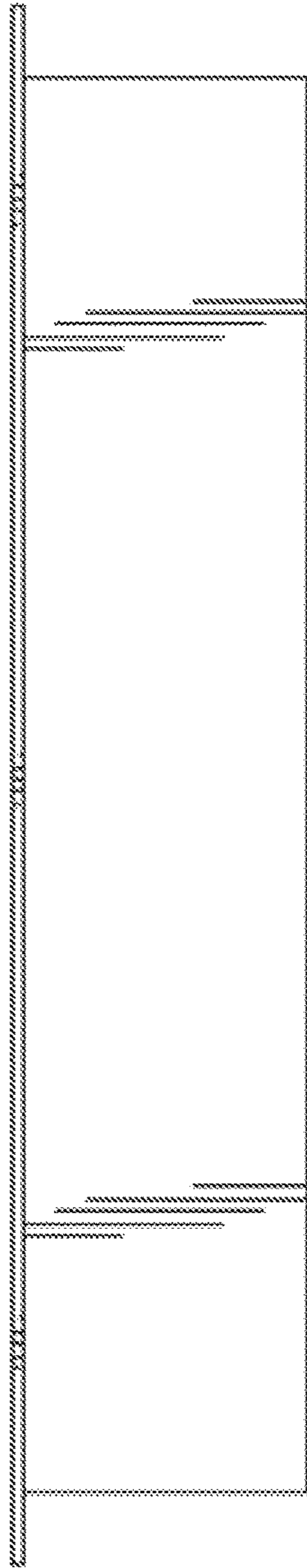


FIG. 4

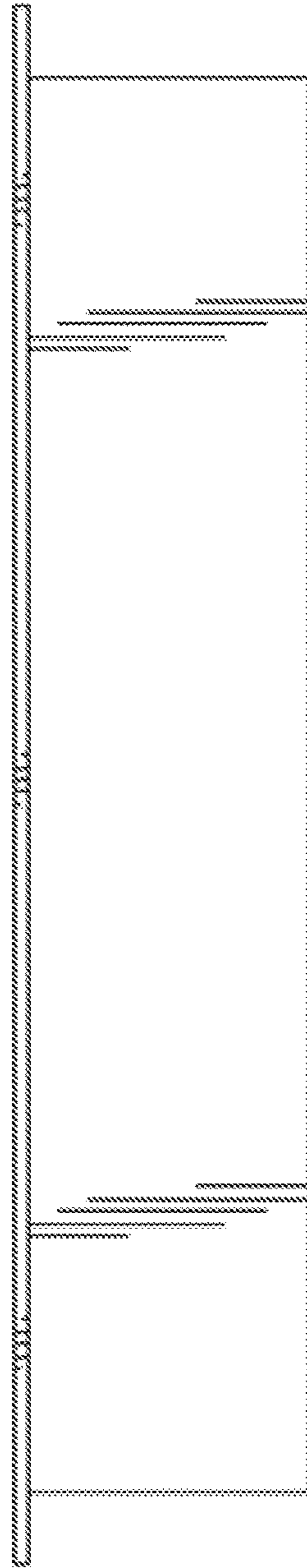


FIG. 5

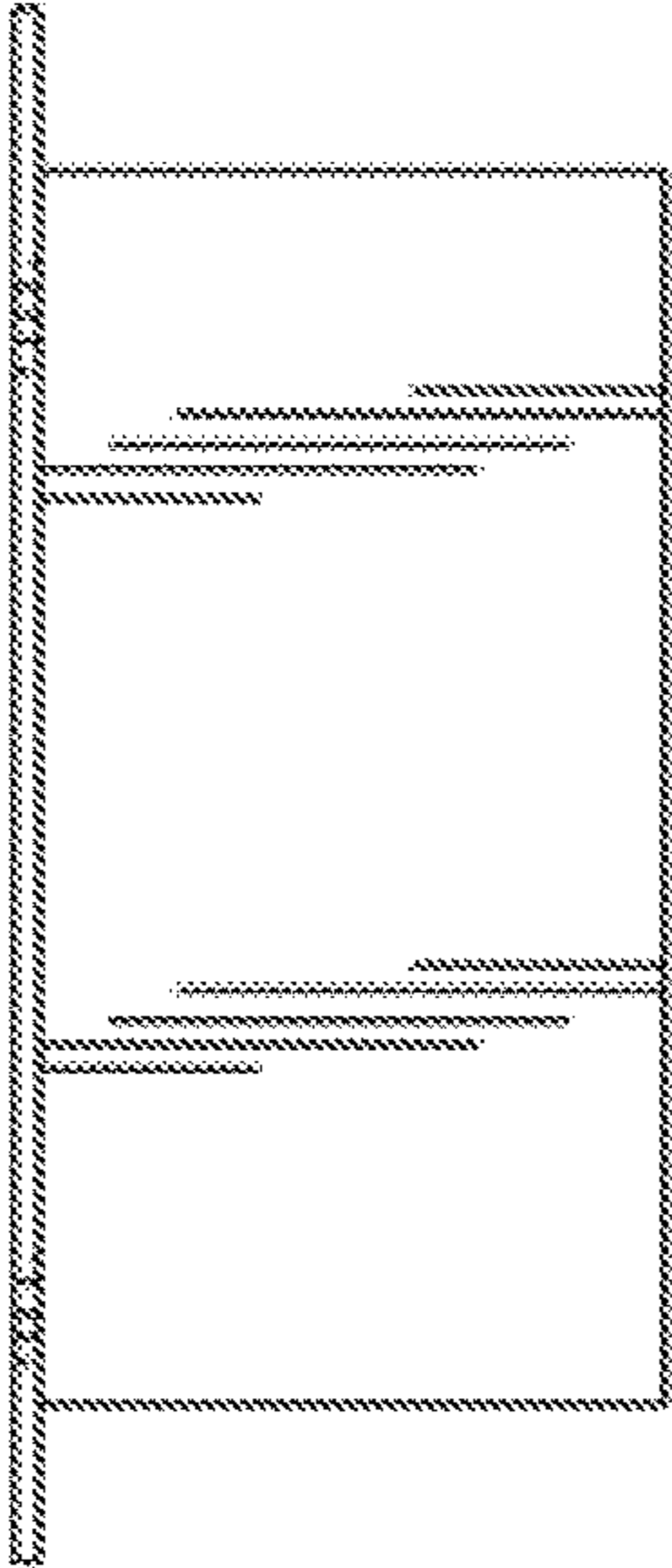


FIG. 6

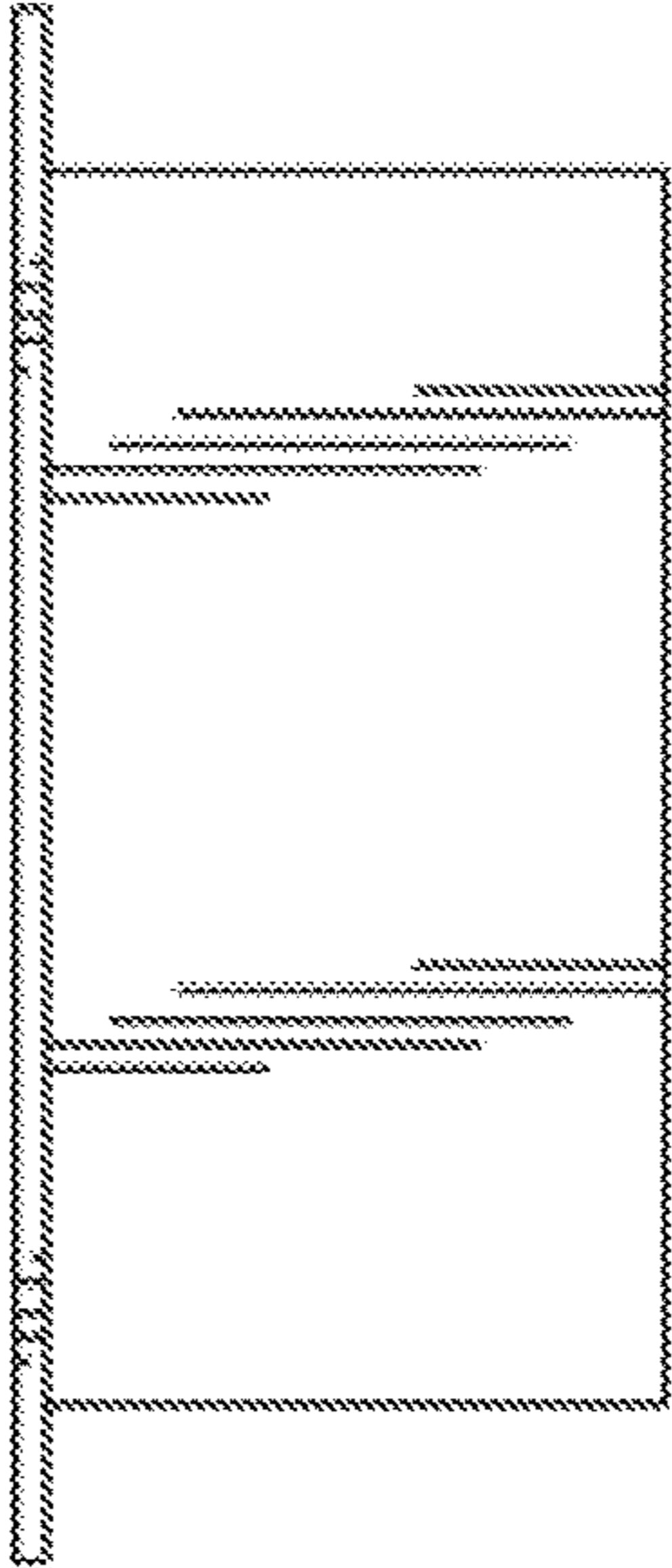


FIG. 7

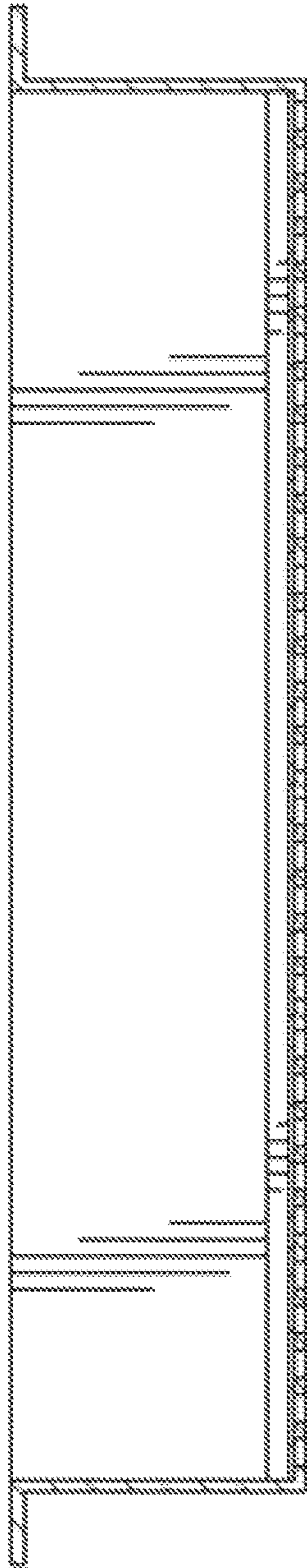


FIG. 8

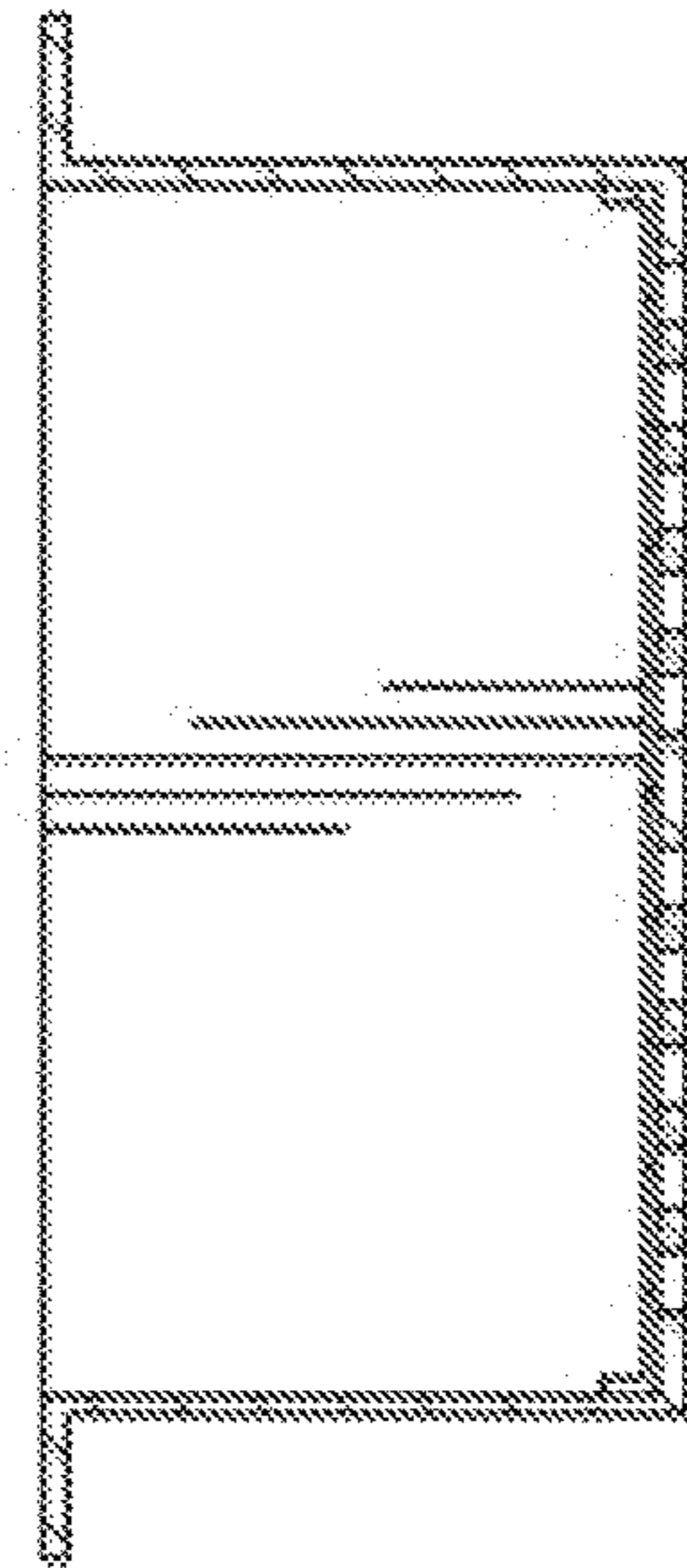


FIG. 9

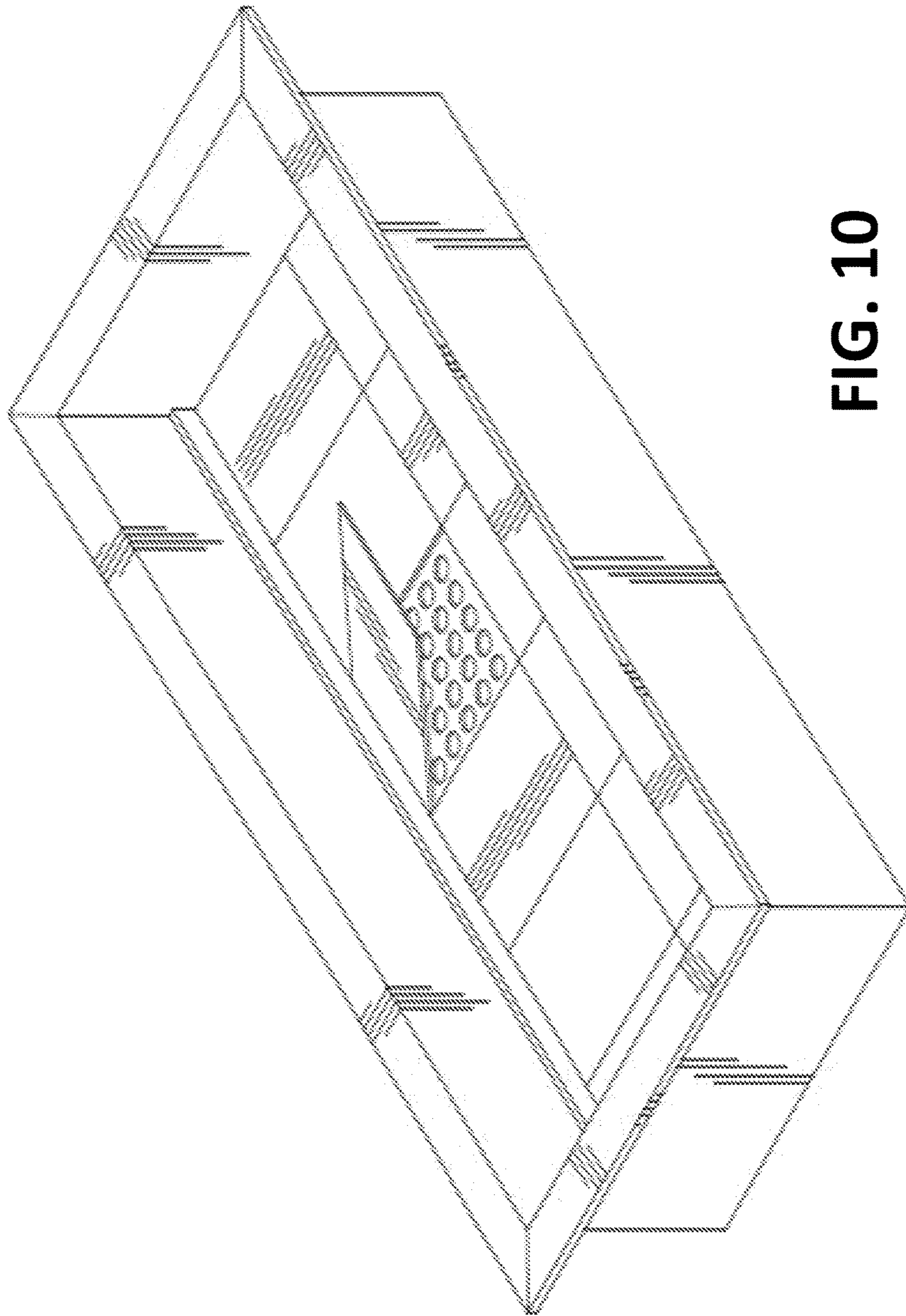


FIG. 10

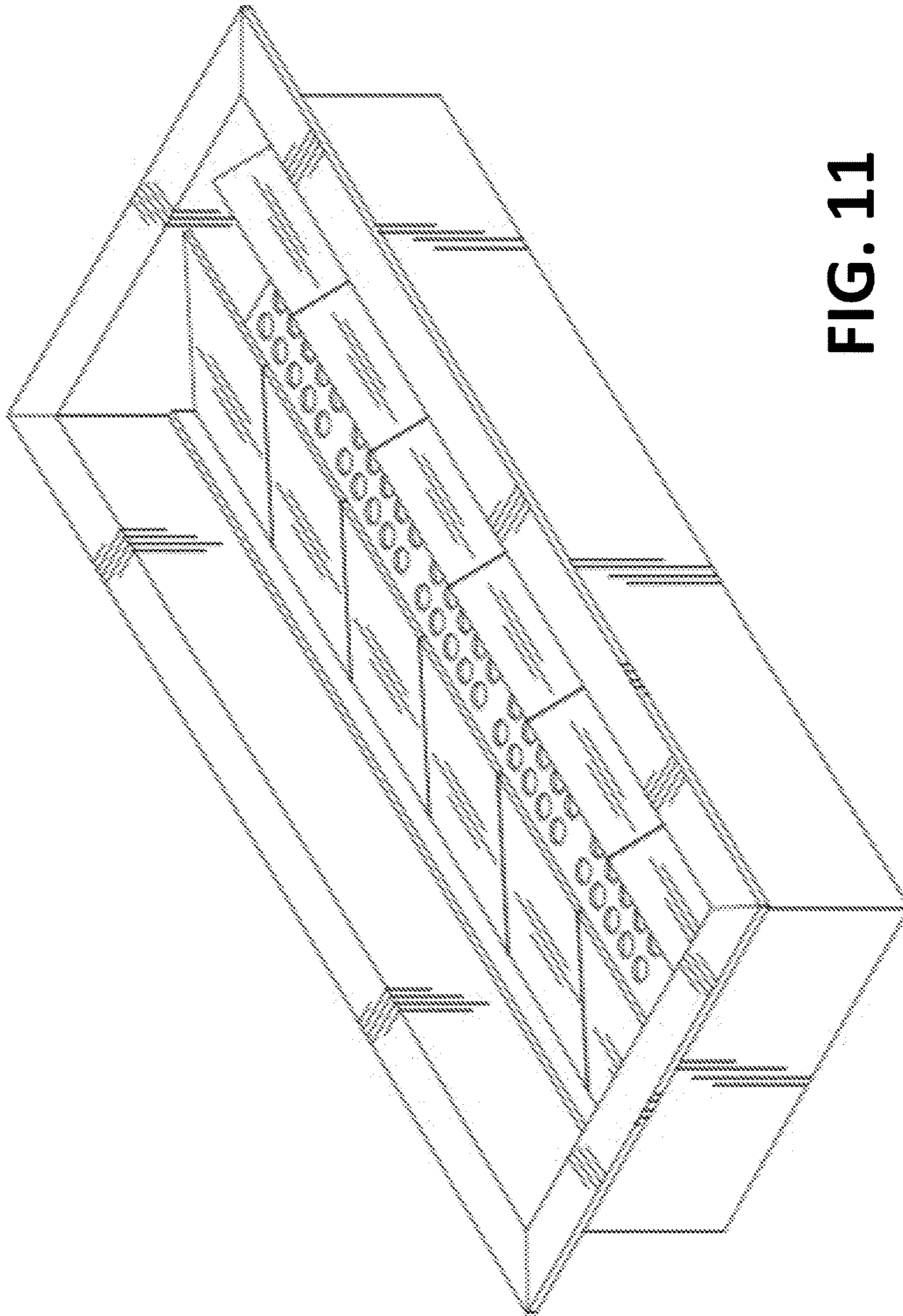


FIG. 11