



US00D850607S

(12) **United States Design Patent**
Krause

(10) **Patent No.:** **US D850,607 S**

(45) **Date of Patent:** **** Jun. 4, 2019**

(54) **FAN**

(71) Applicant: **MK Eletrodomesticos Mondial S.A.**,
Lauro de Freitas (BR)

(72) Inventor: **Jacques Ivo Krause**, Barueri (BR)

(73) Assignee: **MK Eletrodomesticos Mondial S.A.**,
Lauro de Freitas (BR)

(**) Term: **15 Years**

(21) Appl. No.: **29/606,698**

(22) Filed: **Jun. 7, 2017**

(51) **LOC (11) Cl.** **23-04**

(52) **U.S. Cl.**
USPC **D23/382**

(58) **Field of Classification Search**
USPC D23/370-379, 381-385, 411-414, 360,
D23/314, 335, 332; D26/59; D8/363,
D8/354
CPC F04D 5/00; F04D 27/00; F24H 3/04
See application file for complete search history.

(56) **References Cited**

U.S. PATENT DOCUMENTS

D386,565 S * 11/1997 Jane D23/378
D437,926 S * 2/2001 Shapiro D23/382

D466,604 S * 12/2002 Harris D23/382
D562,962 S * 2/2008 Li D23/382
D727,488 S * 4/2015 Hsu D23/382
D737,420 S * 8/2015 Yeung D23/382
D737,949 S * 9/2015 He D23/382
D737,950 S * 9/2015 He D23/382
D773,633 S * 12/2016 Wang D23/385
D799,676 S * 10/2017 Wong D23/382

* cited by examiner

Primary Examiner — Janice Hallmark

(74) *Attorney, Agent, or Firm* — McKee, Voorhees &
Sease, PLC

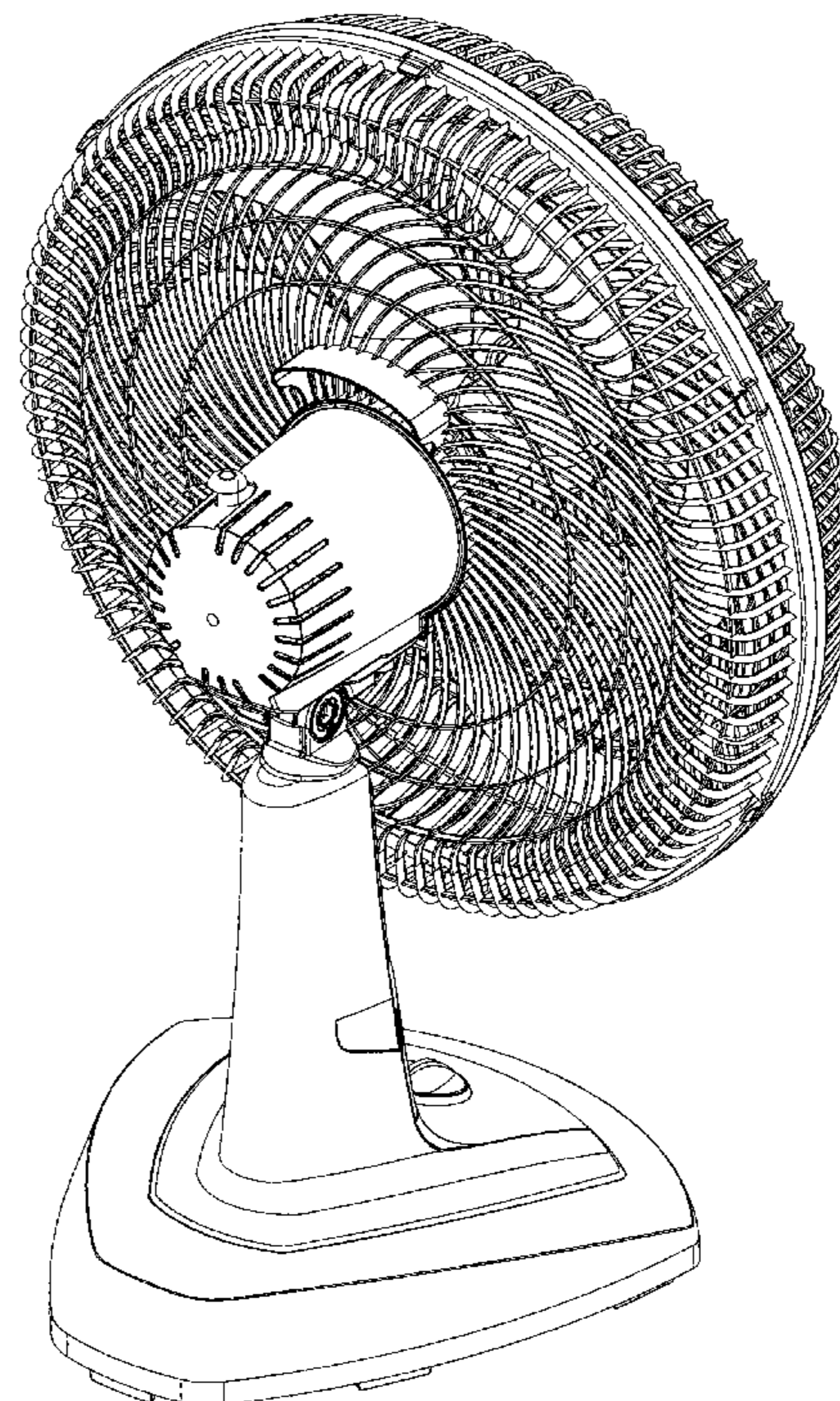
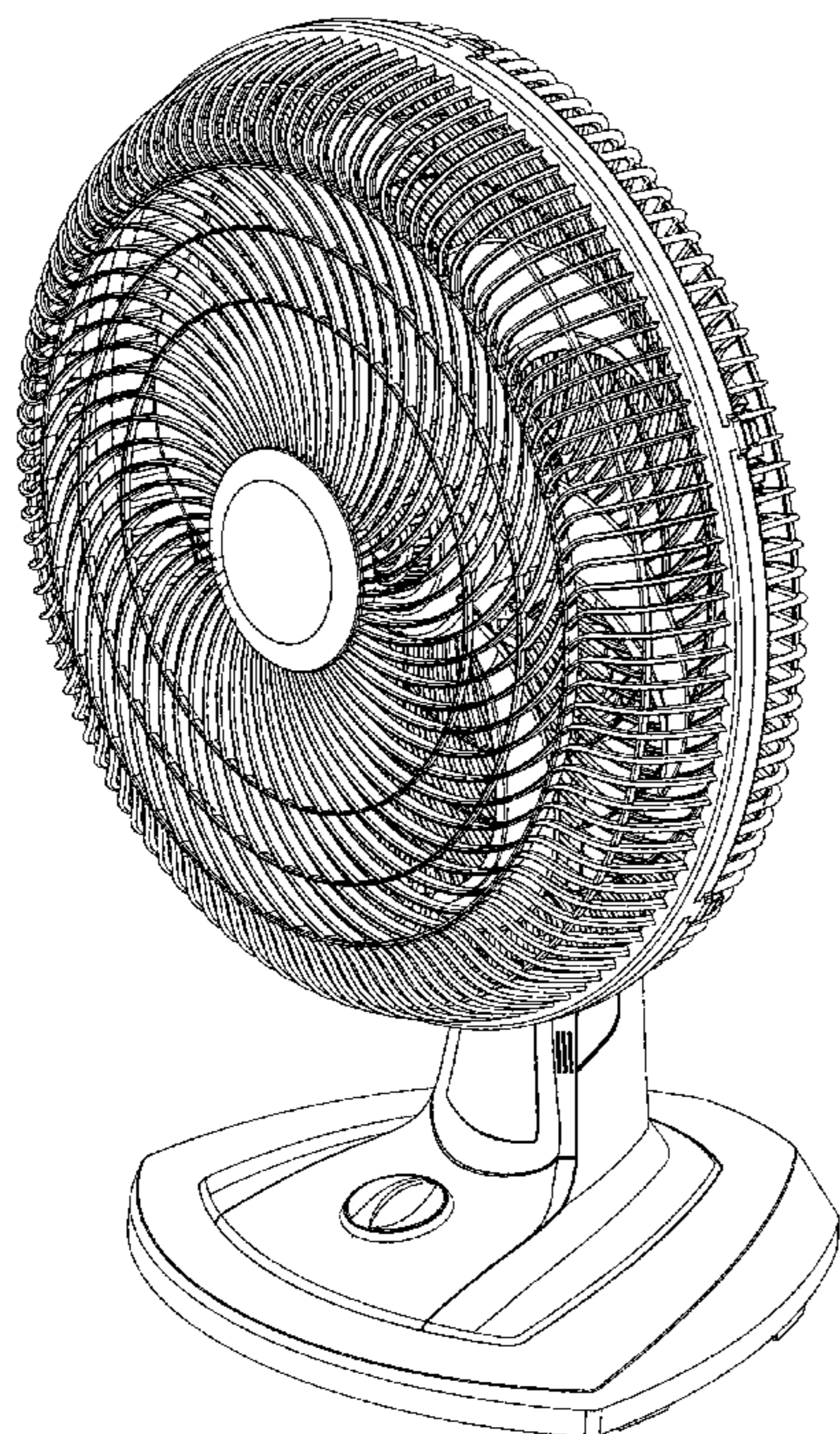
(57) **CLAIM**

I claim the ornamental design for a fan, substantially as shown.

DESCRIPTION

FIG. 1 is a right side elevation view of a fan.
FIG. 2 is a front side elevation view of a fan.
FIG. 3 is a top view of a fan.
FIG. 4 is a rear elevation view of a fan.
FIG. 5 is a left side elevation view of a fan.
FIG. 6 is a front isometric view from the right side of a fan;
and,
FIG. 7 is a rear isometric view of a fan.

1 Claim, 7 Drawing Sheets



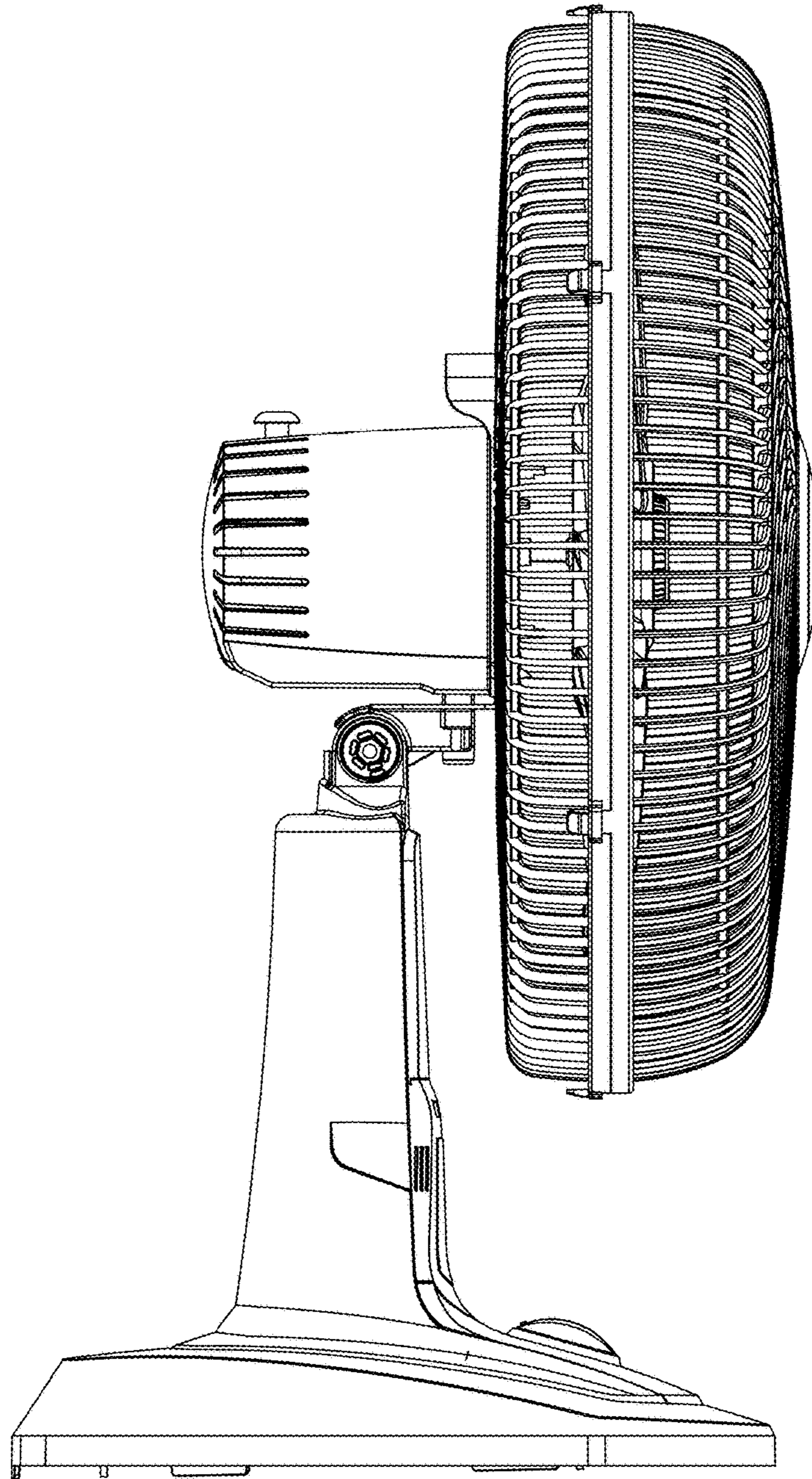


FIGURE 1

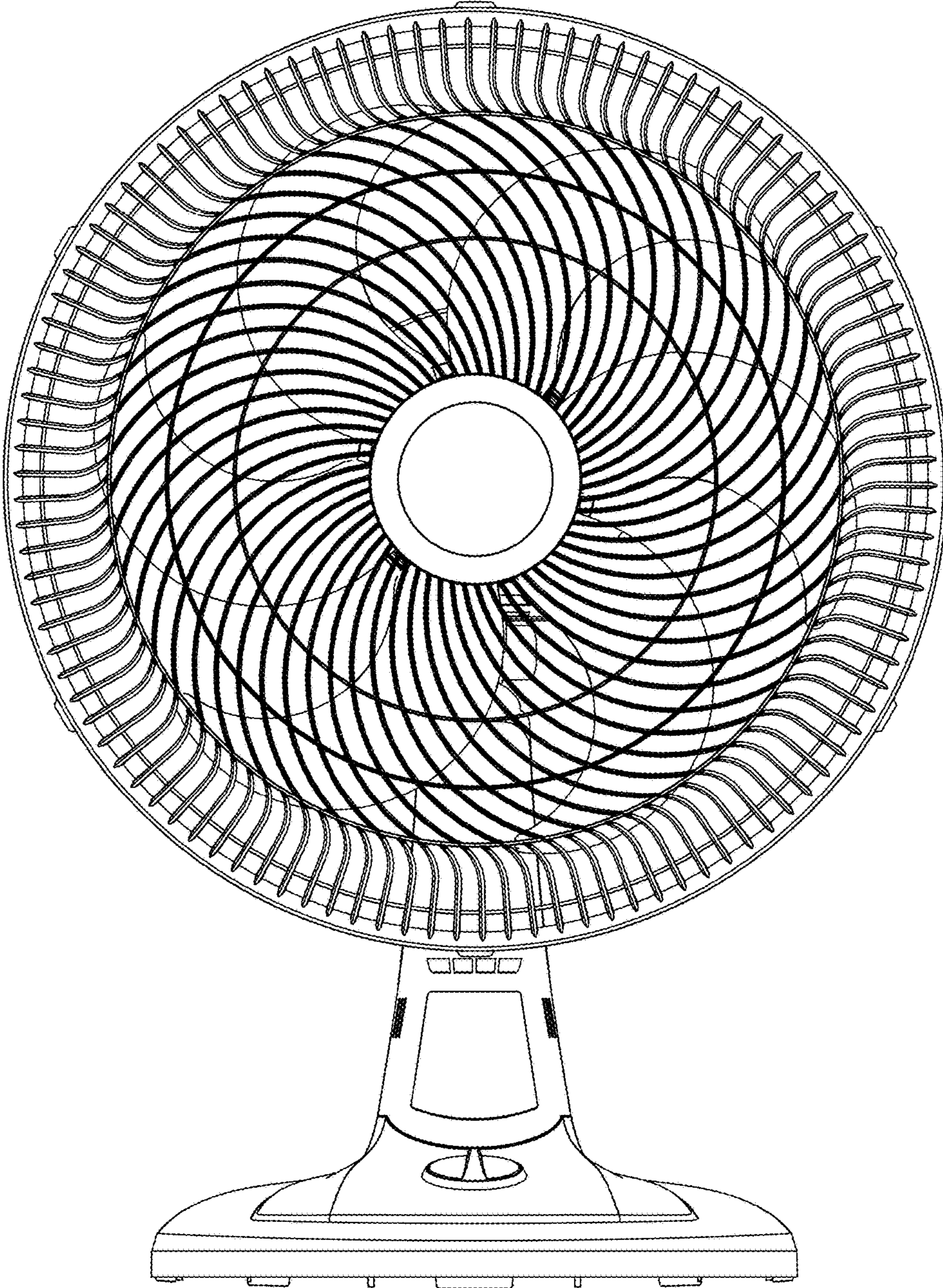


FIGURE 2

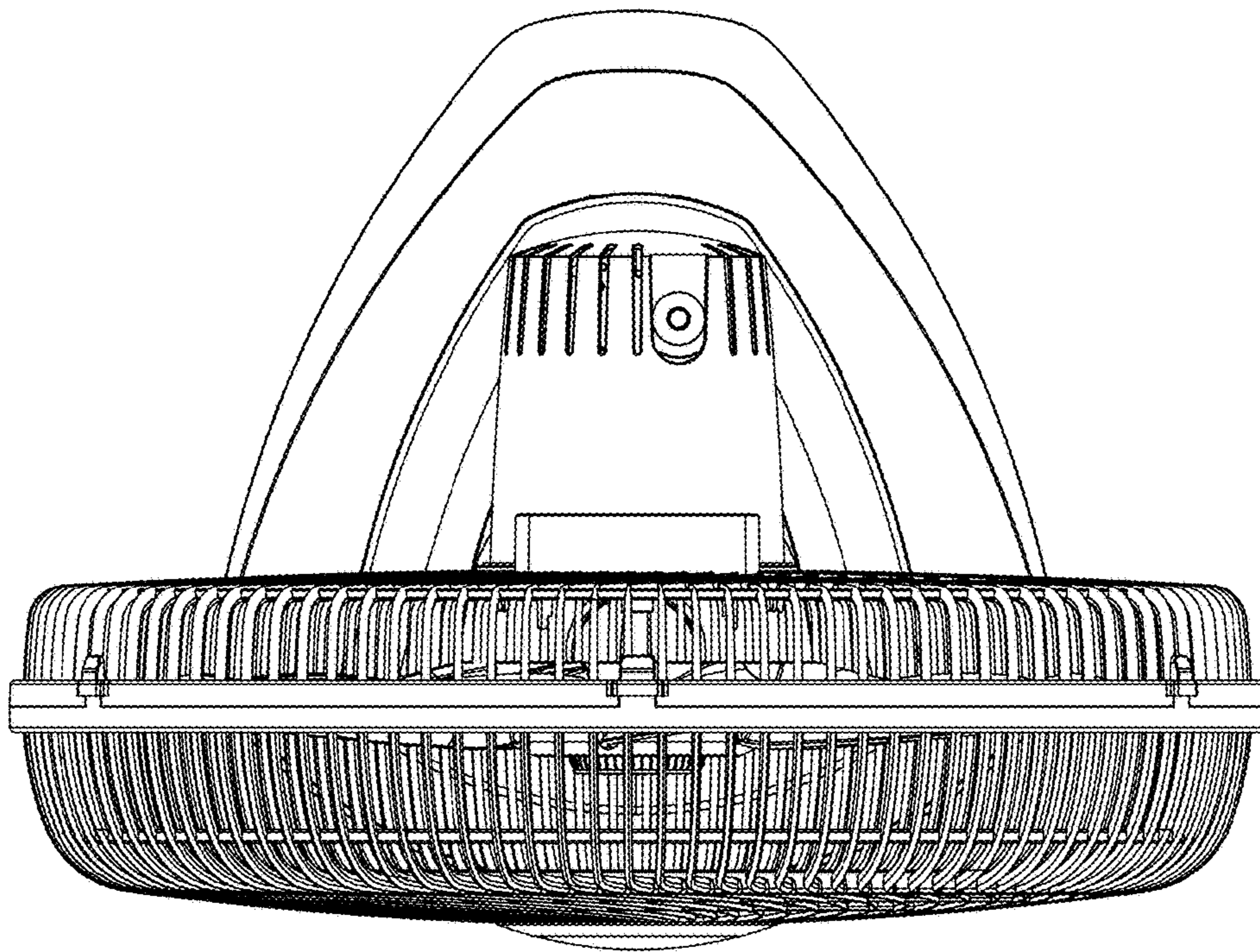


FIGURE 3

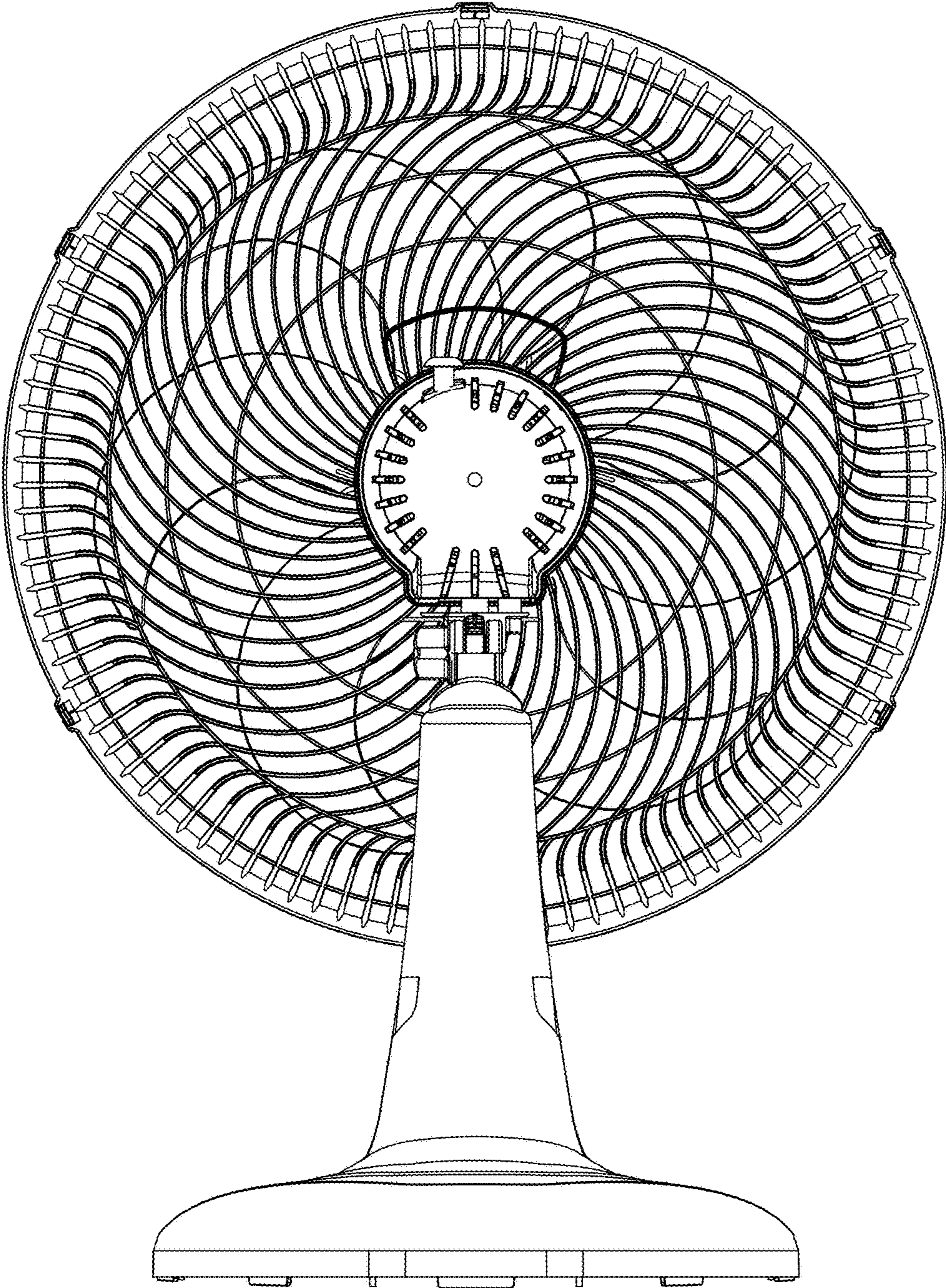


FIGURE 4

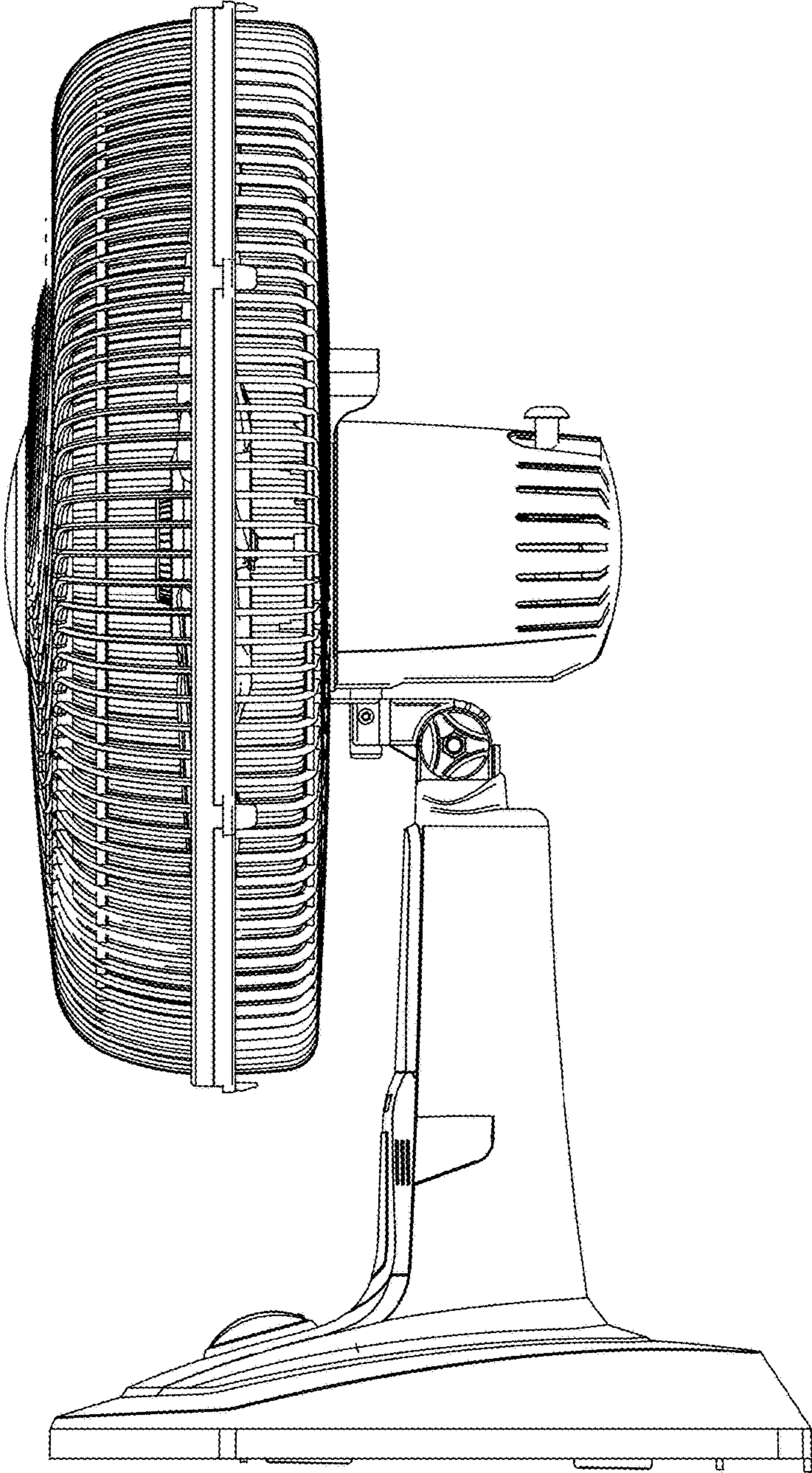


FIGURE 5

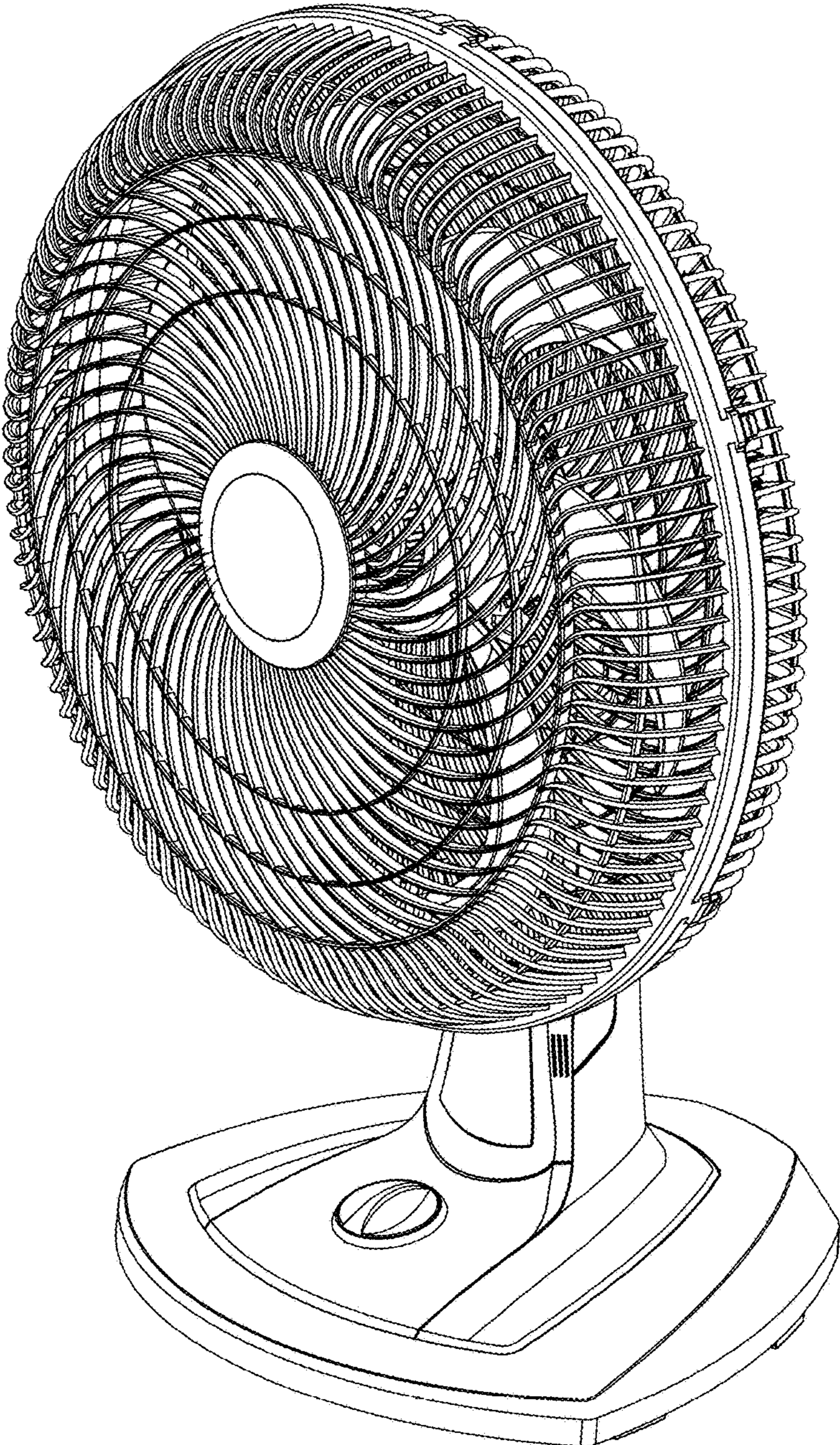


FIGURE 6

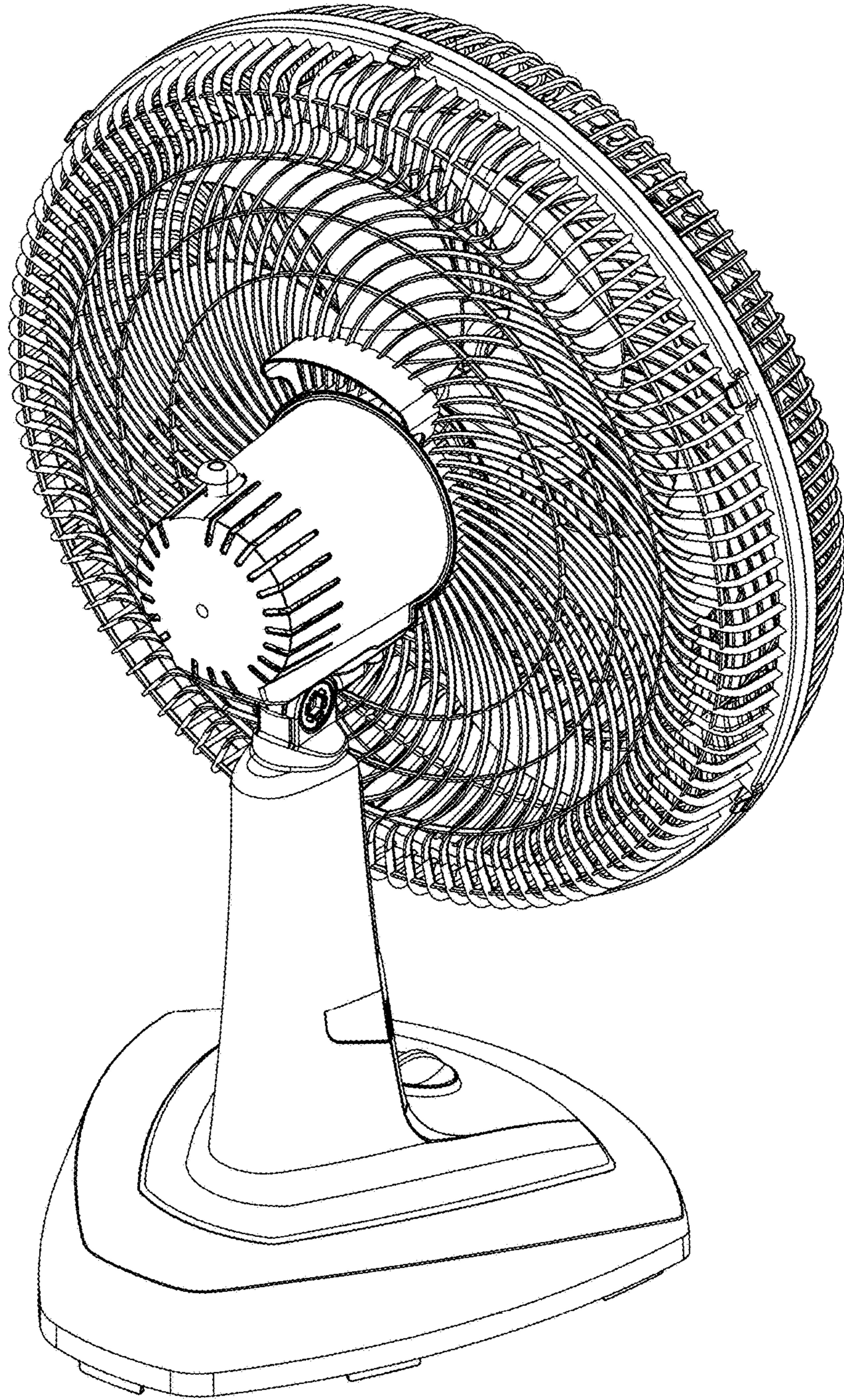


FIGURE 7