



US00D850605S

(12) **United States Design Patent** (10) **Patent No.:** **US D850,605 S**
Ertze (45) **Date of Patent:** **** Jun. 4, 2019**

- (54) **CEILING FAN**
- (71) Applicant: **YOUNGO LIMITED**, Hong Kong (HK)
- (72) Inventor: **Pablo J. Ertze**, Fontana, CA (US)
- (73) Assignee: **YOUNGO LIMITED**, Hong Kong (HK)
- (**) Term: **15 Years**
- (21) Appl. No.: **29/631,245**
- (22) Filed: **Dec. 28, 2017**
- (51) **LOC (11) Cl.** **23-04**
- (52) **U.S. Cl.**
USPC **D23/377; D26/59**
- (58) **Field of Classification Search**
USPC D23/377, 379, 385, 411-414, 351, 352, D23/354, 370, 371, 373-375, 381, D23/386-389, 393; D26/59, 88, 89
CPC F04D 25/088; F04D 29/38; F04D 29/384; F04D 29/386; F21V 33/0096
See application file for complete search history.

(56) **References Cited**

U.S. PATENT DOCUMENTS

D346,439 S *	4/1994	Liu	D23/377
D357,978 S *	5/1995	Young	D23/377
D400,667 S *	11/1998	Moody	D23/377
D453,563 S *	2/2002	Bogazzi	D23/377
D707,336 S *	6/2014	Pan	D23/377
D771,230 S *	11/2016	Jones	D23/377
D782,025 S *	3/2017	Pickett	D23/377
D785,156 S *	4/2017	Wang	D23/377
D791,928 S *	7/2017	Yang	D23/377
D799,684 S *	10/2017	Wang	D23/411

D800,288 S *	10/2017	Jones	D23/377
D800,891 S *	10/2017	McRoberts	D23/377
D809,691 S *	2/2018	Wang	D26/59

OTHER PUBLICATIONS

Emerson Ceiling Fans CF550DMBS Luxe Eco Modern Ceiling Fans With Light and Wall Control, date first available Jan. 24, 2012, site visited Feb. 14, 2019, Available from Internet, <<https://www.amazon.com/Emerson-Ceiling-CF550DMBS-Control-54-Inch/dp/B0071911CM>>.*

* cited by examiner

Primary Examiner — Cathron C Brooks

Assistant Examiner — Sharon S Oum

(74) *Attorney, Agent, or Firm* — Muncy, Geissler, Olds & Lowe, P.C.

(57) **CLAIM**

The ornamental design for a ceiling fan, as shown and described.

DESCRIPTION

FIG. 1 is a bottom perspective view of a ceiling fan, showing the new design;

FIG. 2 is a partial enlarged perspective view thereof;

FIG. 3 is a front elevational view of FIG. 1;

FIG. 4 is a rear elevational view thereof;

FIG. 5 is a left side elevational view thereof;

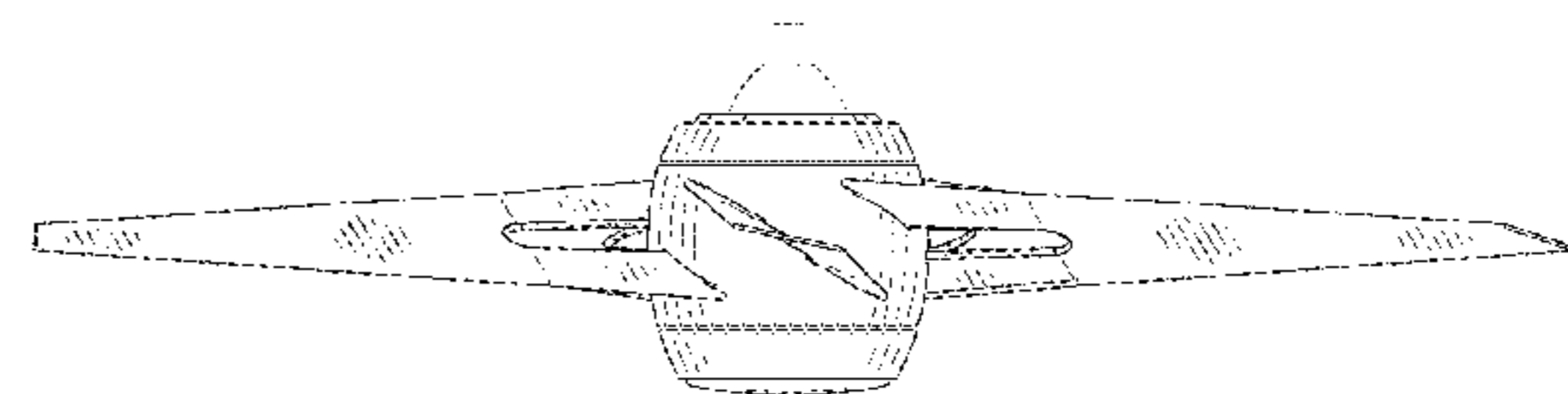
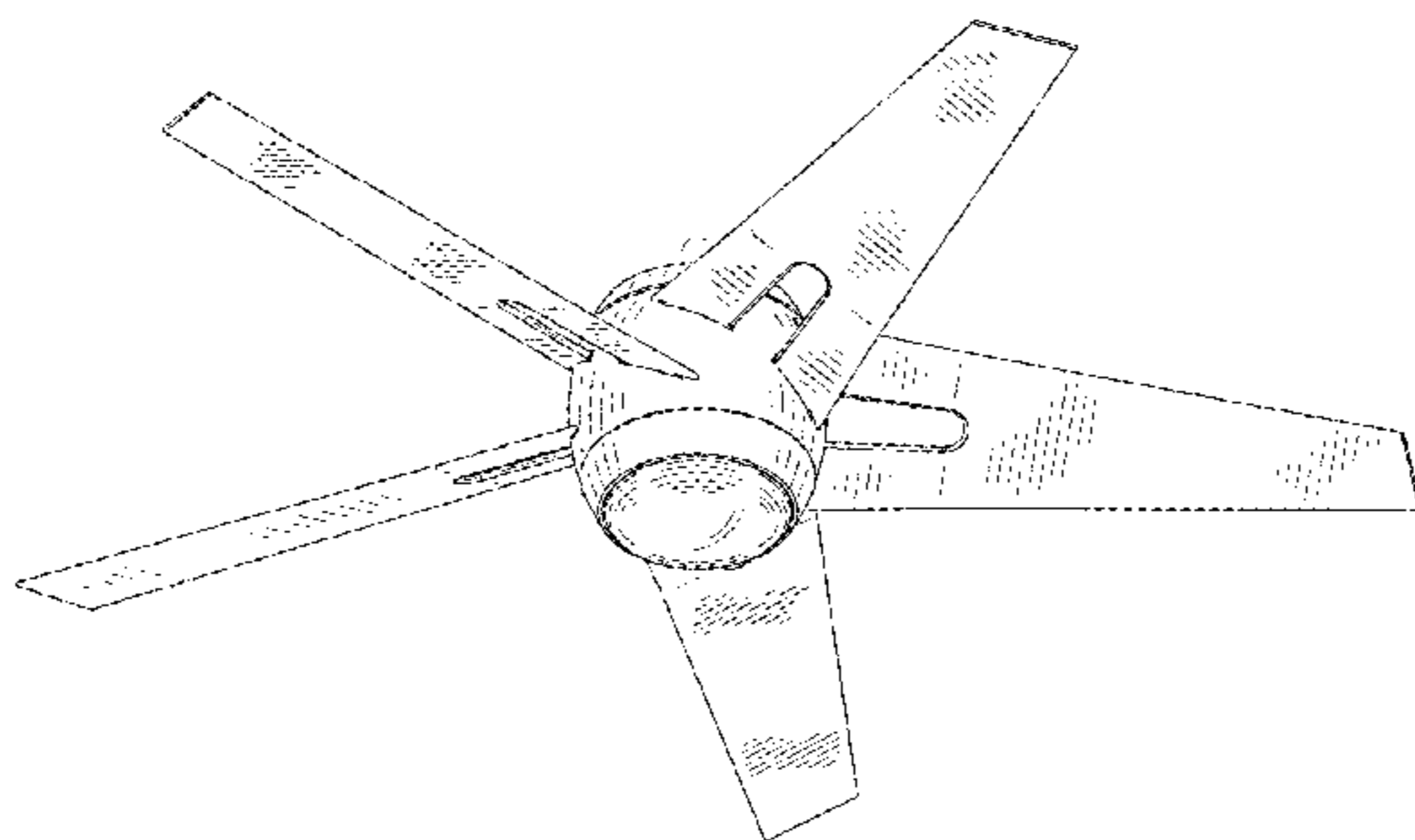
FIG. 6 is a right side elevational view thereof;

FIG. 7 is a top plan view thereof; and,

FIG. 8 is a bottom plan view thereof.

The broken lines shown in FIGS. 1-7 depict portions of the ceiling fan that form no part of the claimed design.

1 Claim, 8 Drawing Sheets



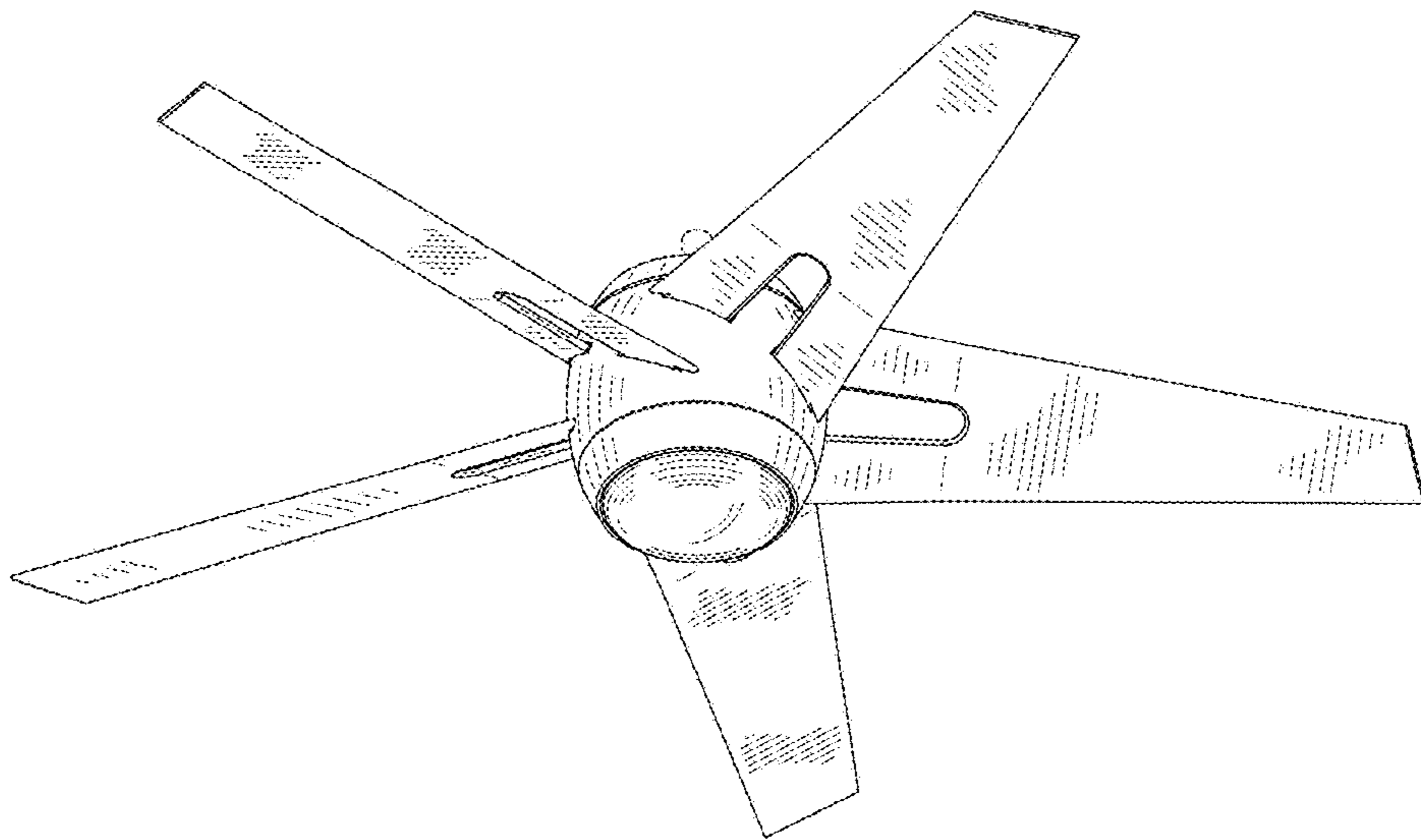


FIG. 1

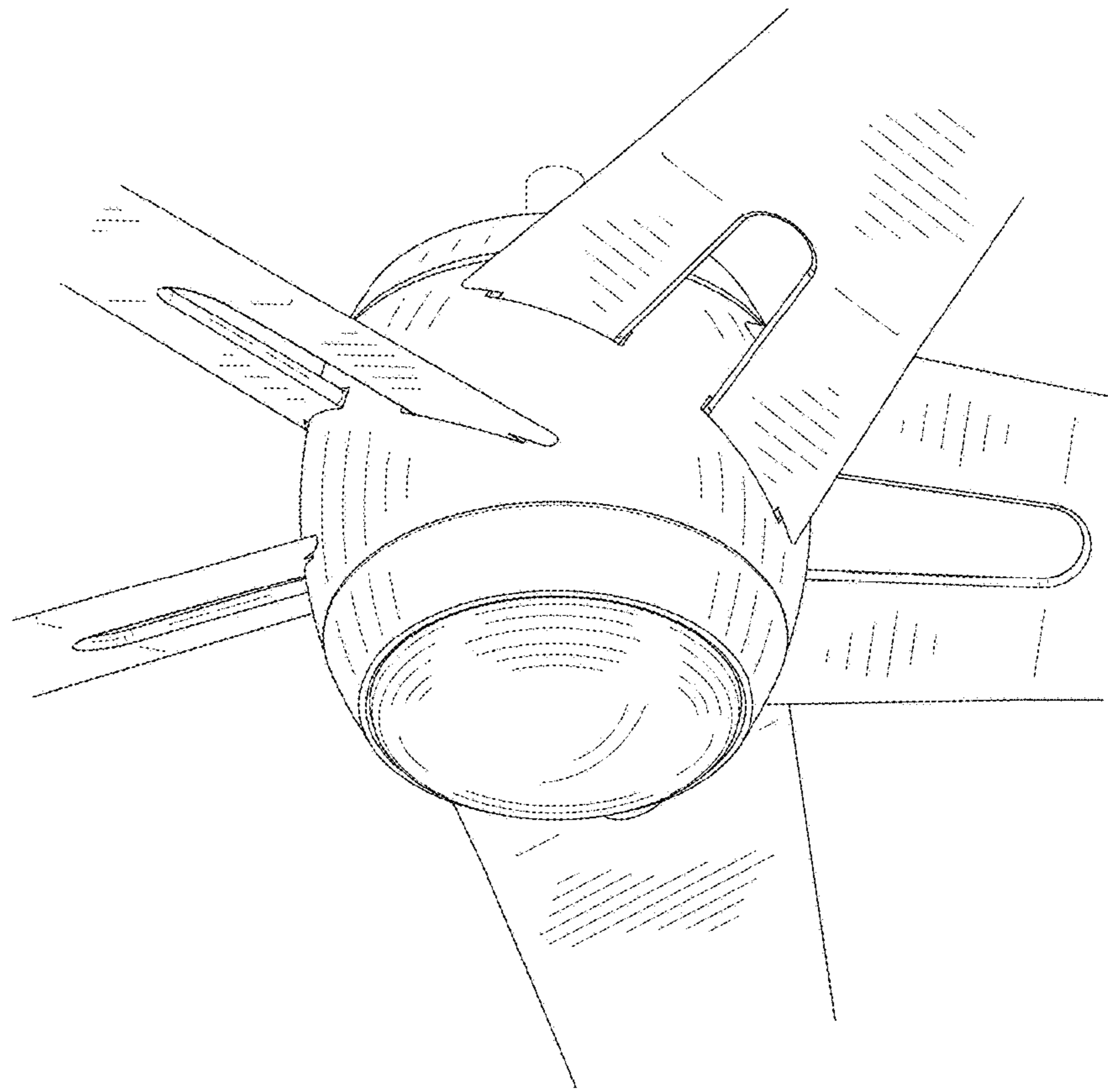


FIG. 2

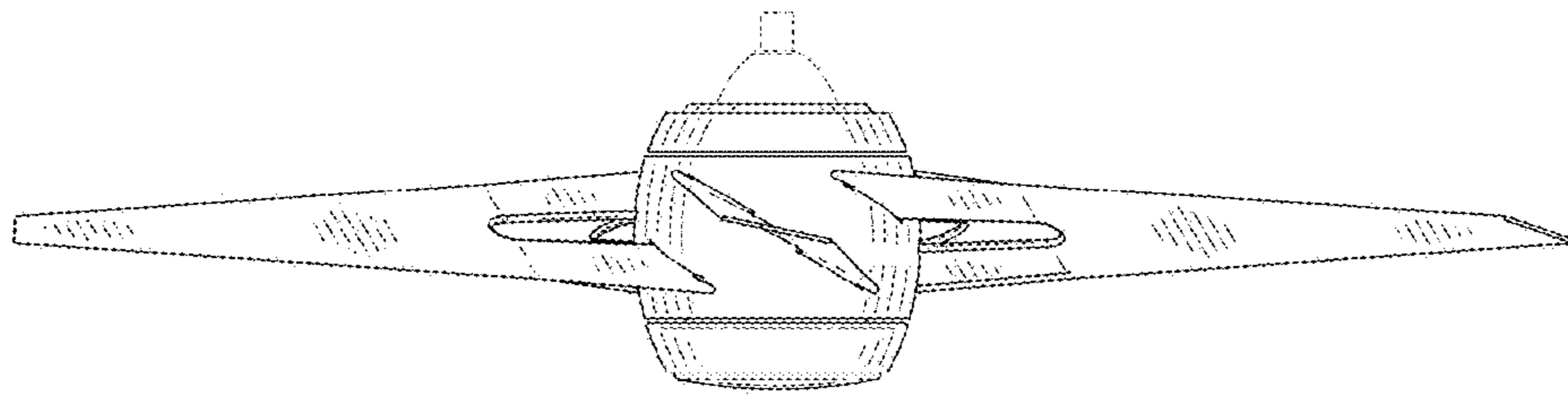


FIG. 3

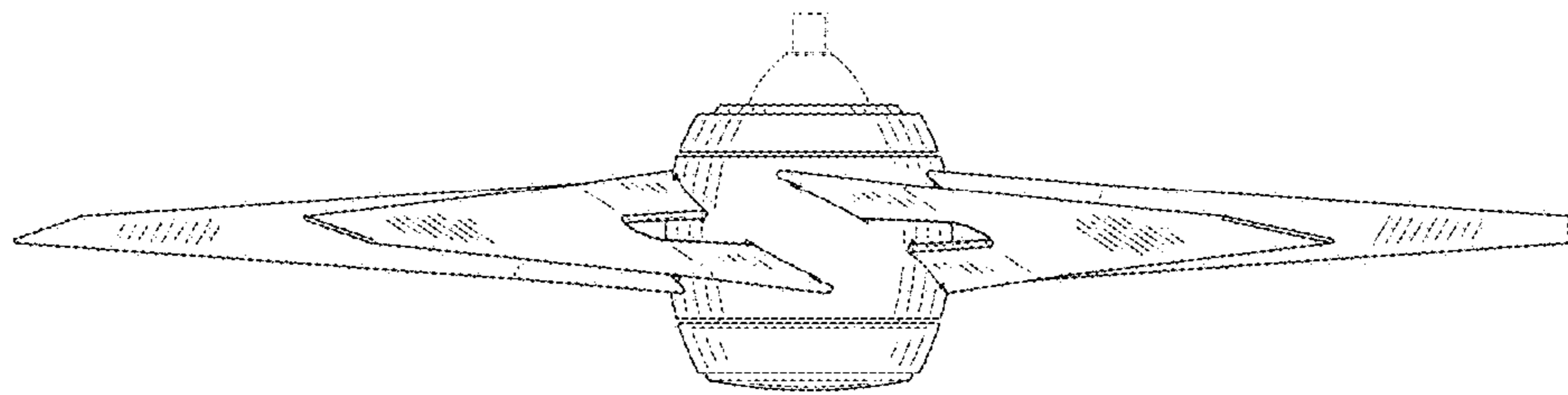


FIG. 4

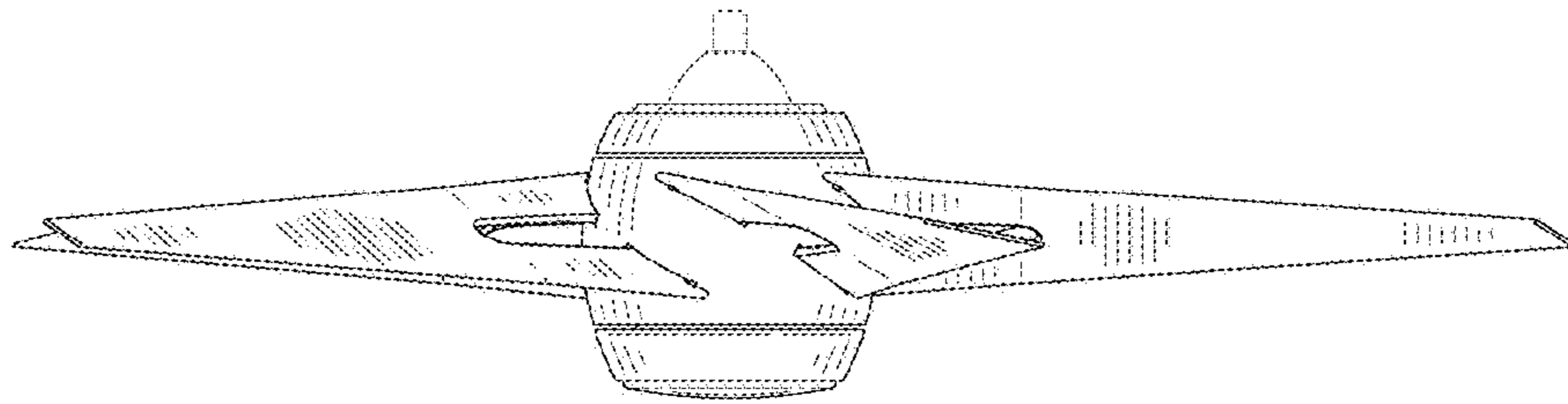


FIG. 5

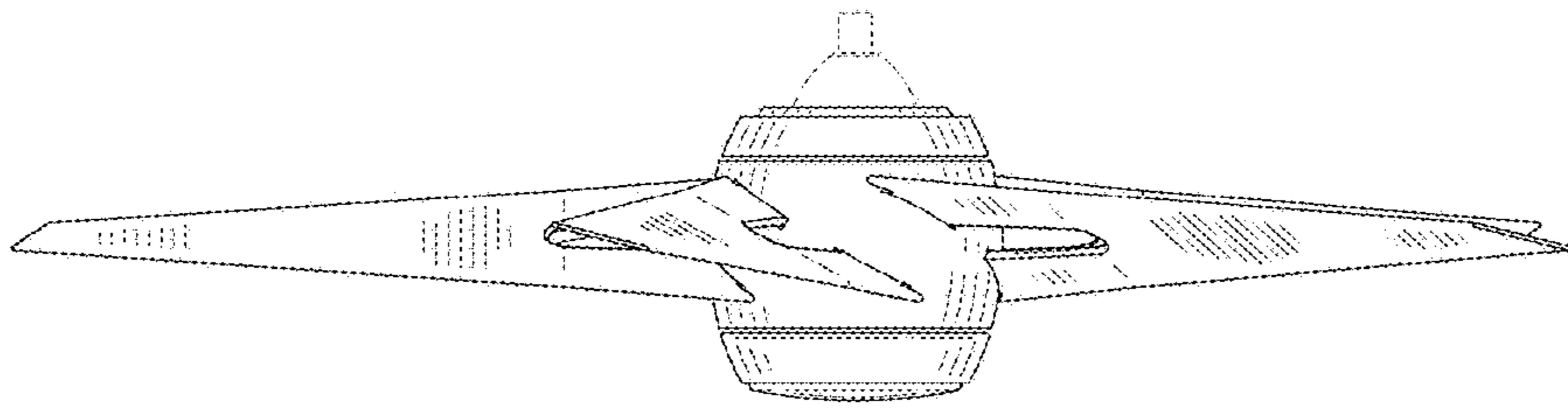


FIG. 6

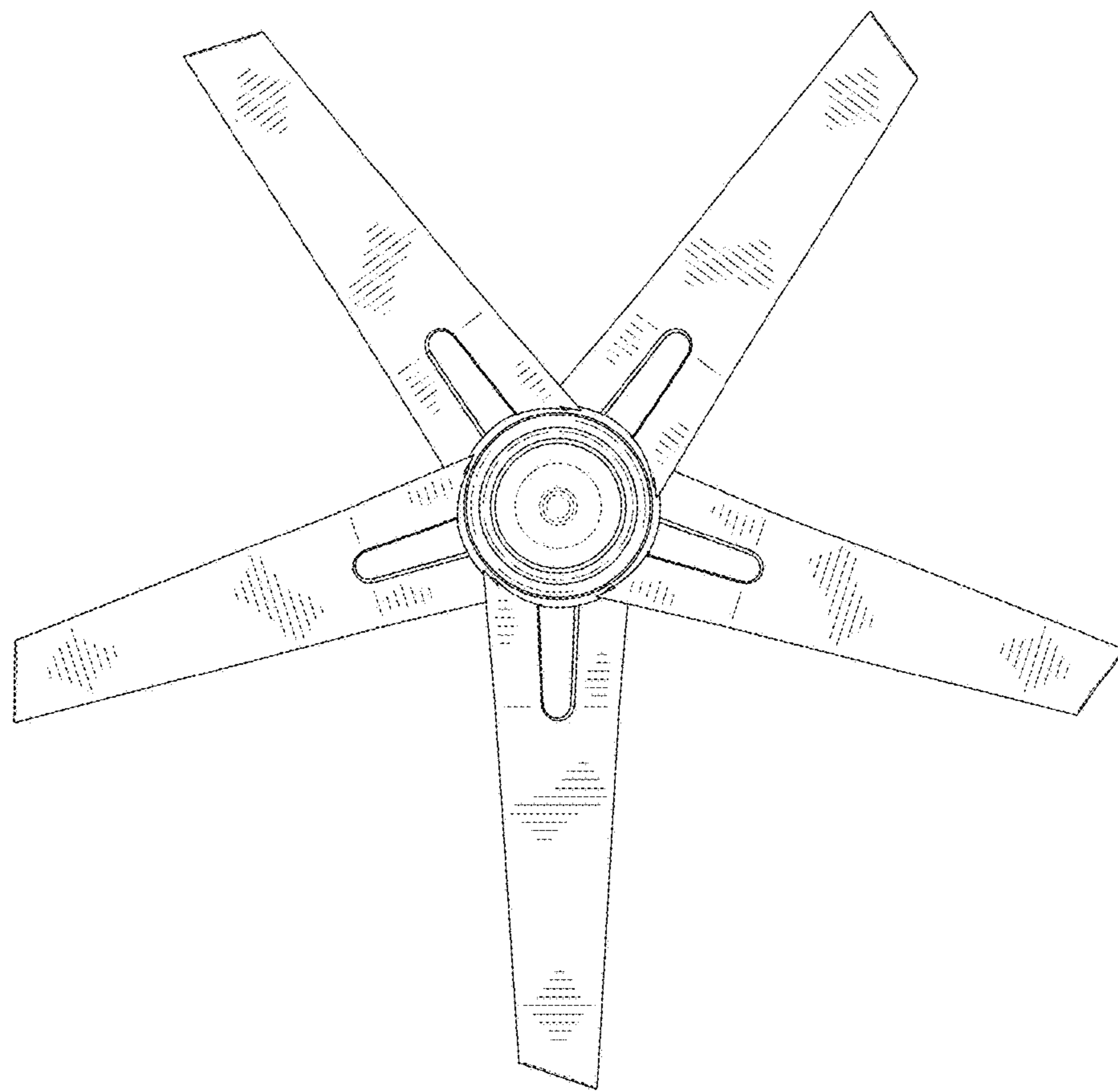


FIG. 7

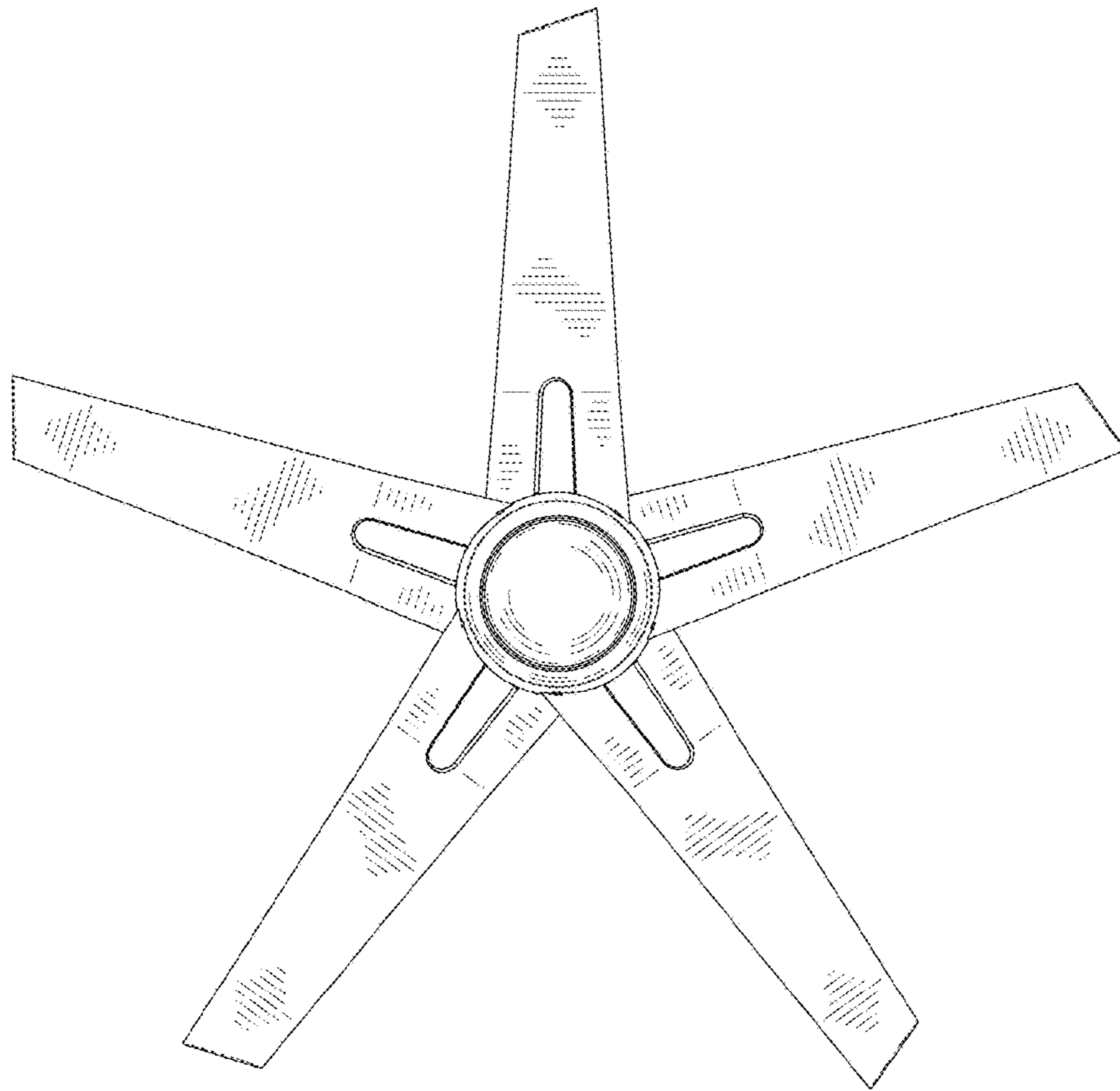


FIG. 8