



US00D850604S

(12) **United States Design Patent**
Gajewski

(10) **Patent No.:** **US D850,604 S**

(45) **Date of Patent:** **** Jun. 4, 2019**

(54) **COMBINATION CEILING FAN AND LIGHT FIXTURE**

(71) Applicant: **Minka Lighting, Inc.**, Corona, CA (US)

(72) Inventor: **Mark Gajewski**, Henderson, NV (US)

(73) Assignee: **Minka Lighting, Inc.**, Corona, CA (US)

(**) Term: **15 Years**

(21) Appl. No.: **29/625,666**

(22) Filed: **Nov. 10, 2017**

(51) **LOC (11) Cl.** **23-04**

(52) **U.S. Cl.**
USPC **D23/377; D23/385**

(58) **Field of Classification Search**
USPC D23/370, 377, 379, 385, 411; D26/59
CPC F04D 25/088; F04D 25/06; F04D 29/00;
F24F 7/00; F04B 17/00; H02K 11/001
See application file for complete search history.

(56) **References Cited**

U.S. PATENT DOCUMENTS

D396,530 S *	7/1998	Tai	D23/377
D417,496 S *	12/1999	Chang	D23/377
D510,621 S *	10/2005	Gajewski	D23/377
D513,316 S *	12/2005	Gajewski	D23/377
D572,814 S *	7/2008	Bucher	D23/377
D576,265 S *	9/2008	Bucher	D23/377
D590,489 S *	4/2009	Bucher	D23/377
D595,400 S *	6/2009	Young	D23/377
D599,461 S *	9/2009	Ertze	D23/377
D671,203 S *	11/2012	Wang	D23/377
D741,468 S *	10/2015	Ertze	D23/377
D750,213 S *	2/2016	Schulzman	D23/385
D799,669 S *	10/2017	Wang	D23/377
D800,291 S *	10/2017	Wang	D23/377
D807,490 S *	1/2018	Ruan	D23/377
D807,491 S *	1/2018	Hagggar	D23/377
D807,492 S *	1/2018	Hidalgo	D23/377
D828,535 S *	9/2018	Searle	D23/377

2006/0024165 A1*	2/2006	Gajewski	F04D 25/088 416/210 R
2008/0286105 A1*	11/2008	Gajewski	F24F 7/007 416/155
2015/0198180 A1*	7/2015	Gajewski	F04D 25/088 416/247 R

OTHER PUBLICATIONS

Monte Carlo Ceiling Fan Model 3TF24BS amazon.com 9 pgs Date First Available May 11, 2007. [Retrieved Jan. 12, 2018]. <https://www.amazon.com/Monte-Carlo-3TF24BS-Ceiling-Brushed/dp/B001CADO3M>.

Kichler Ceiling Fan Model 330150NI amazon.com 7 pgs Date First Available Oct. 31, 2016. [Retrieved Jan. 12, 2018]. <https://www.amazon.com/Kichler-330150NI-34%60%60-Ceiling-Fan/dp/B01M7WWWGM>.

Minka-Aire Spacesaver Ceiling Fan Model F510 amazon.com 10 pgs Date First Available Feb. 13, 2011. [Retrieved Jan. 12, 2018]. <https://www.amazon.com/Minka-Aire-F510-BS-Spacesaver-Ceiling-Brushed/dp/B004QMXIDE>.

* cited by examiner

Primary Examiner — Janice Hallmark

(74) *Attorney, Agent, or Firm* — Seyfarth Shaw LLP

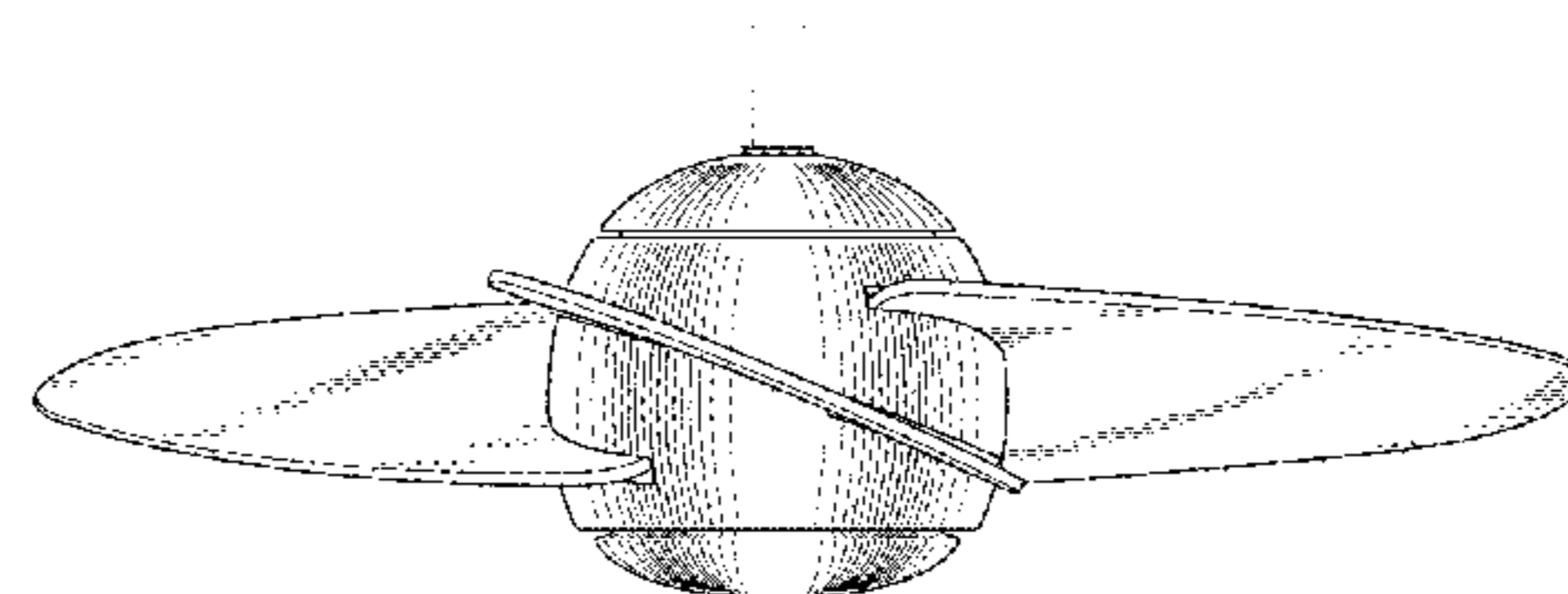
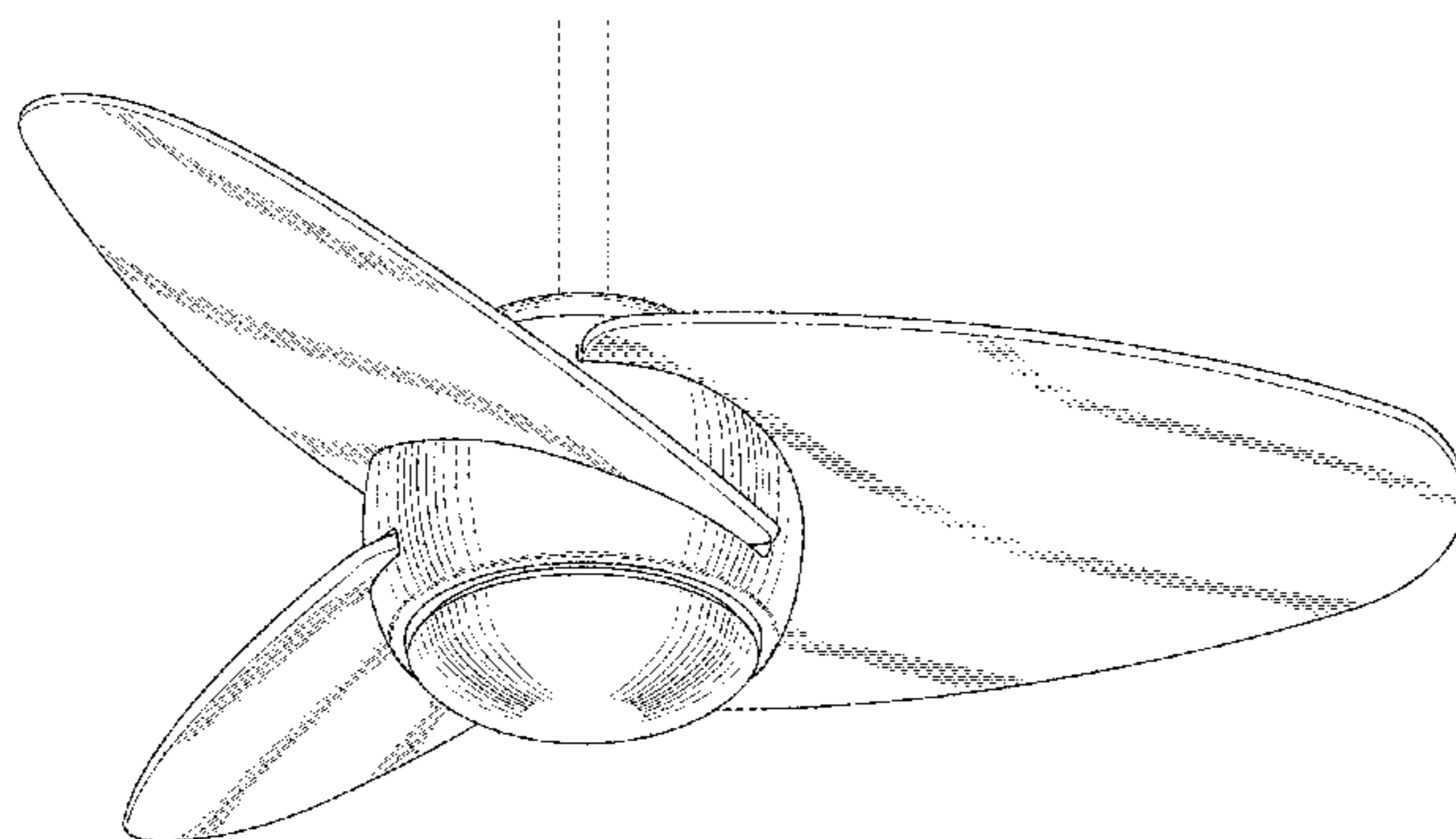
(57) **CLAIM**

The ornamental design for a combination ceiling fan and light fixture, as shown and described.

DESCRIPTION

FIG. 1 is a perspective view of a combination ceiling fan and light fixture in accordance with my design; FIG. 2 is a top plan view thereof; FIG. 3 is a bottom plan view thereof; FIG. 4 is a front elevation view thereof; FIG. 5 is a rear elevation view thereof; FIG. 6 is a left-side elevation view thereof; and, FIG. 7 is a right-side elevation view thereof. The broken lines in the drawings illustrate portions of the ceiling fan that form no part of the claimed design.

1 Claim, 5 Drawing Sheets



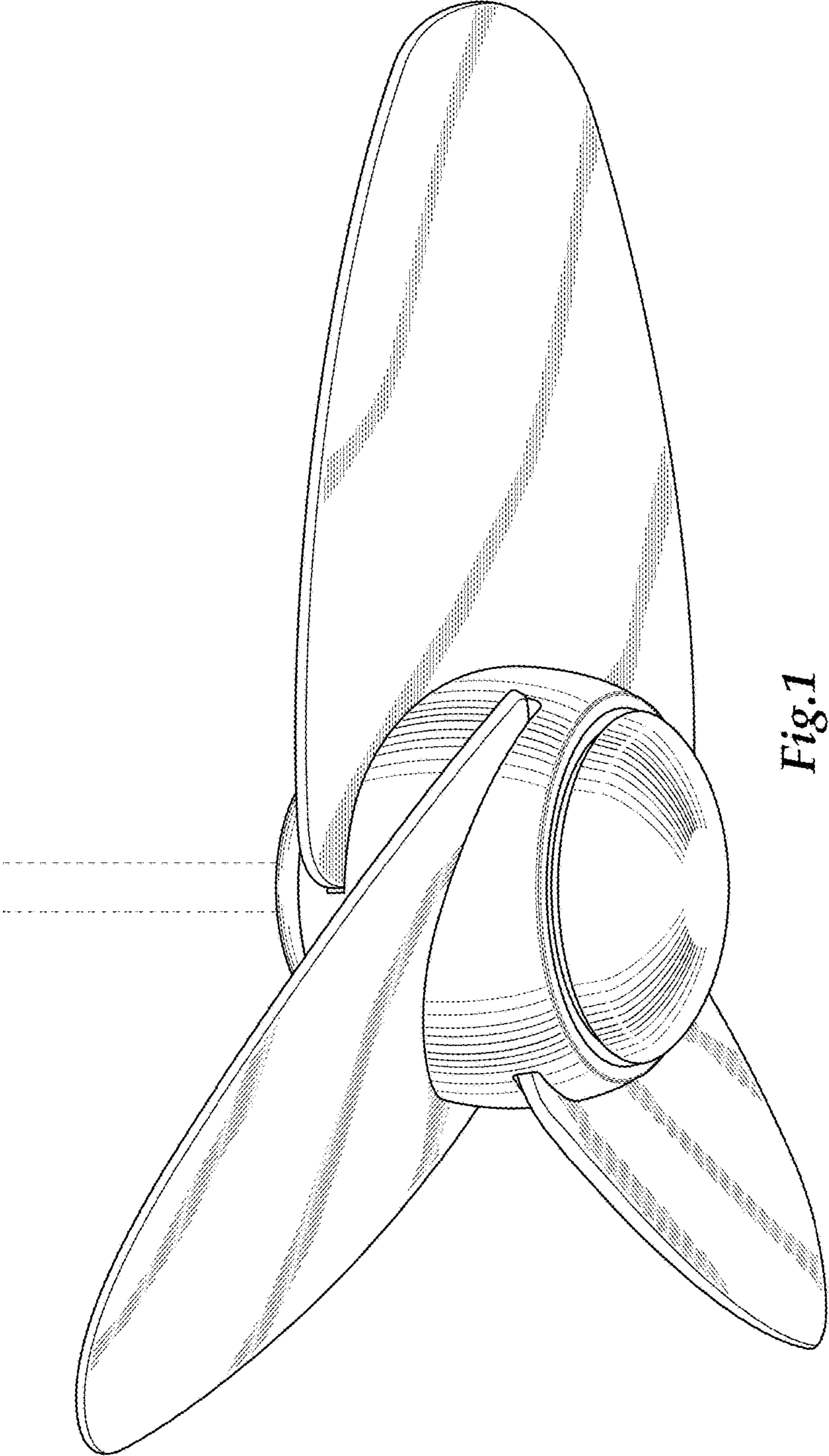


Fig. 1

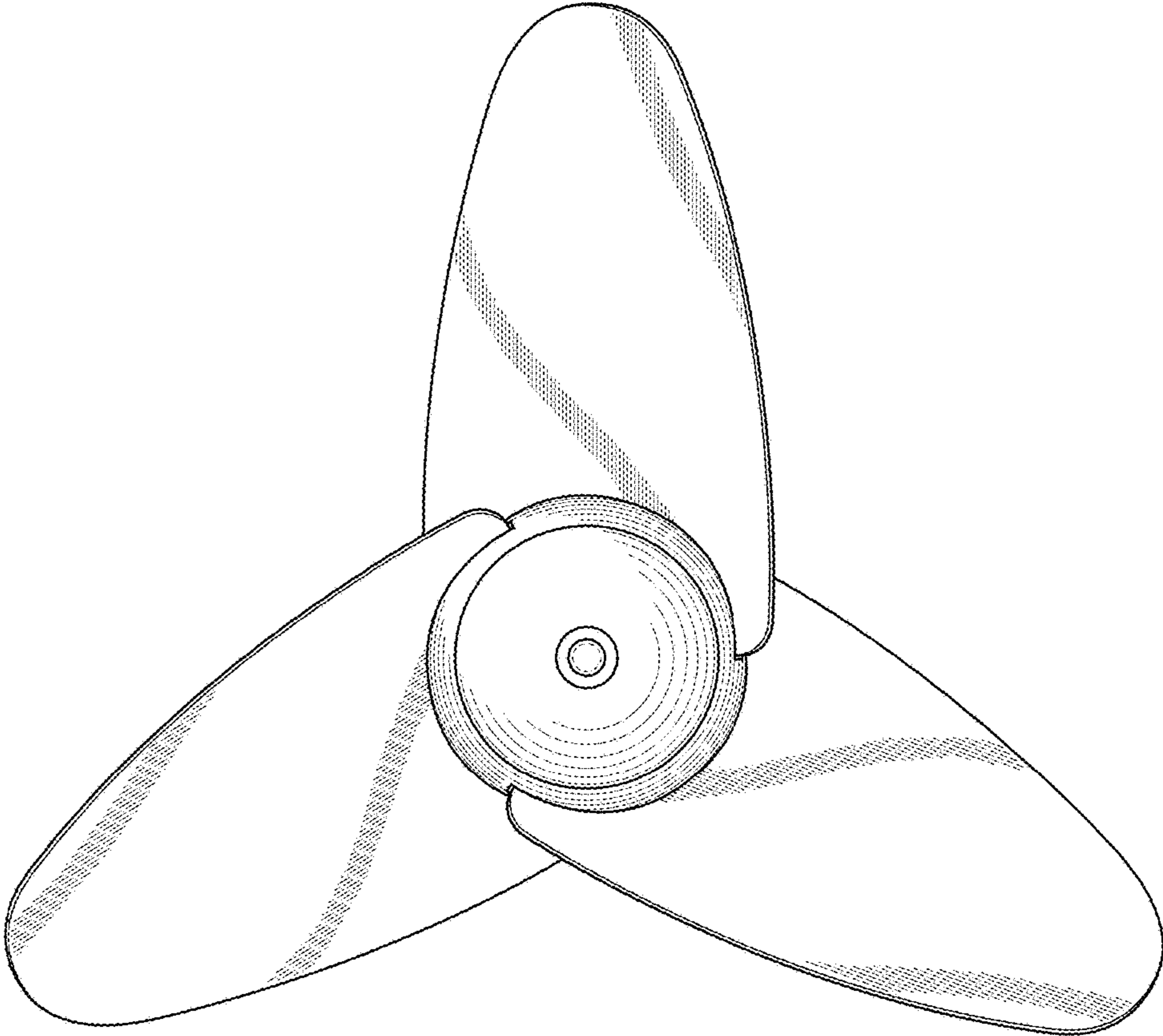


Fig.2

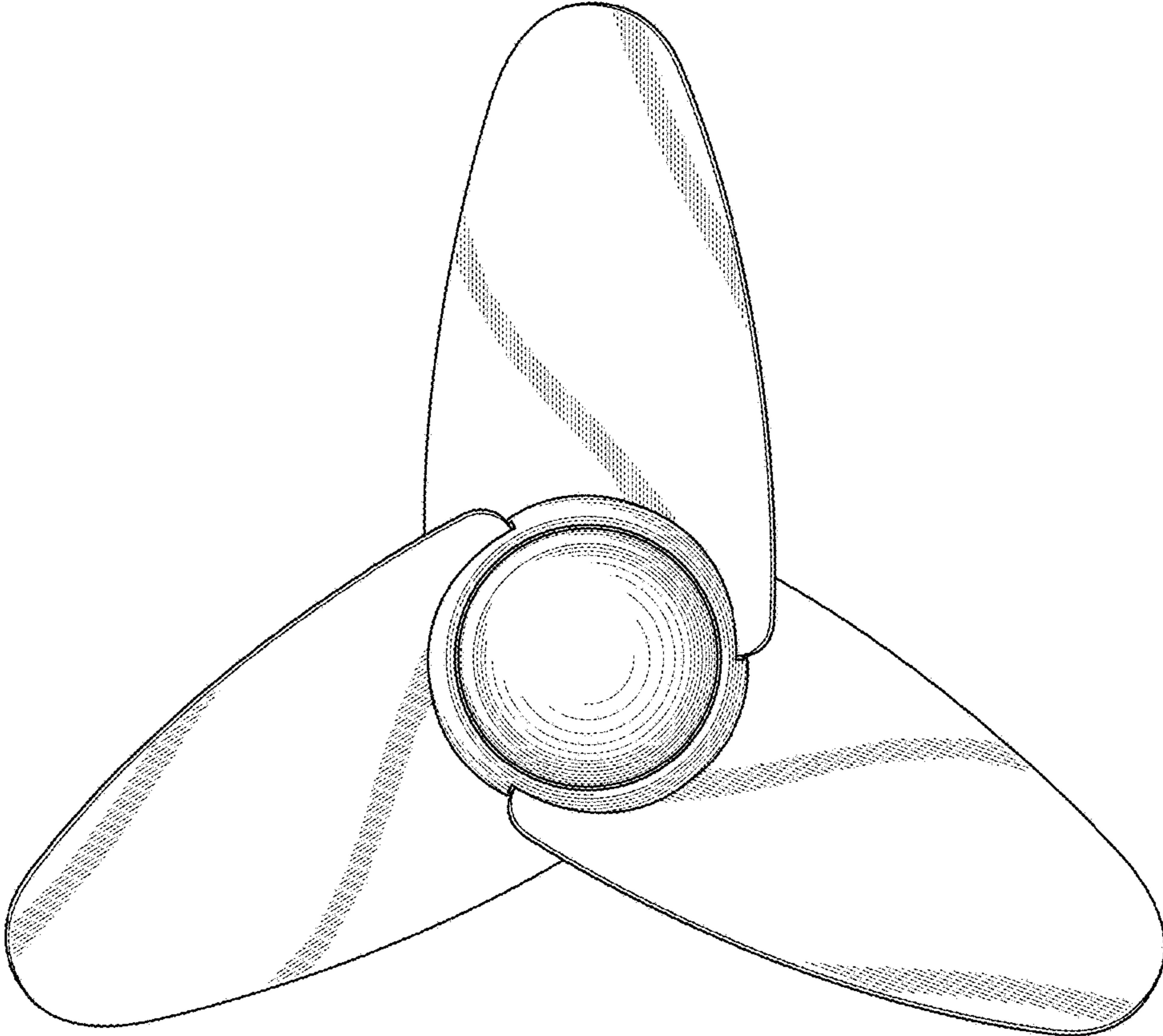


Fig.3

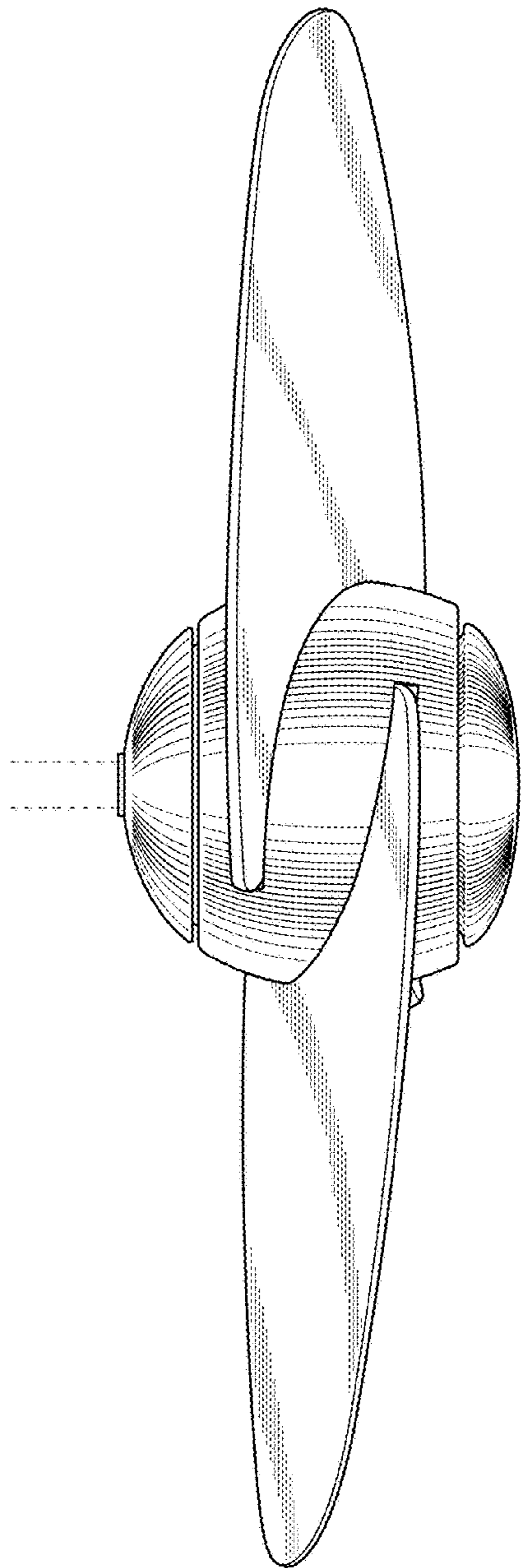


Fig.4

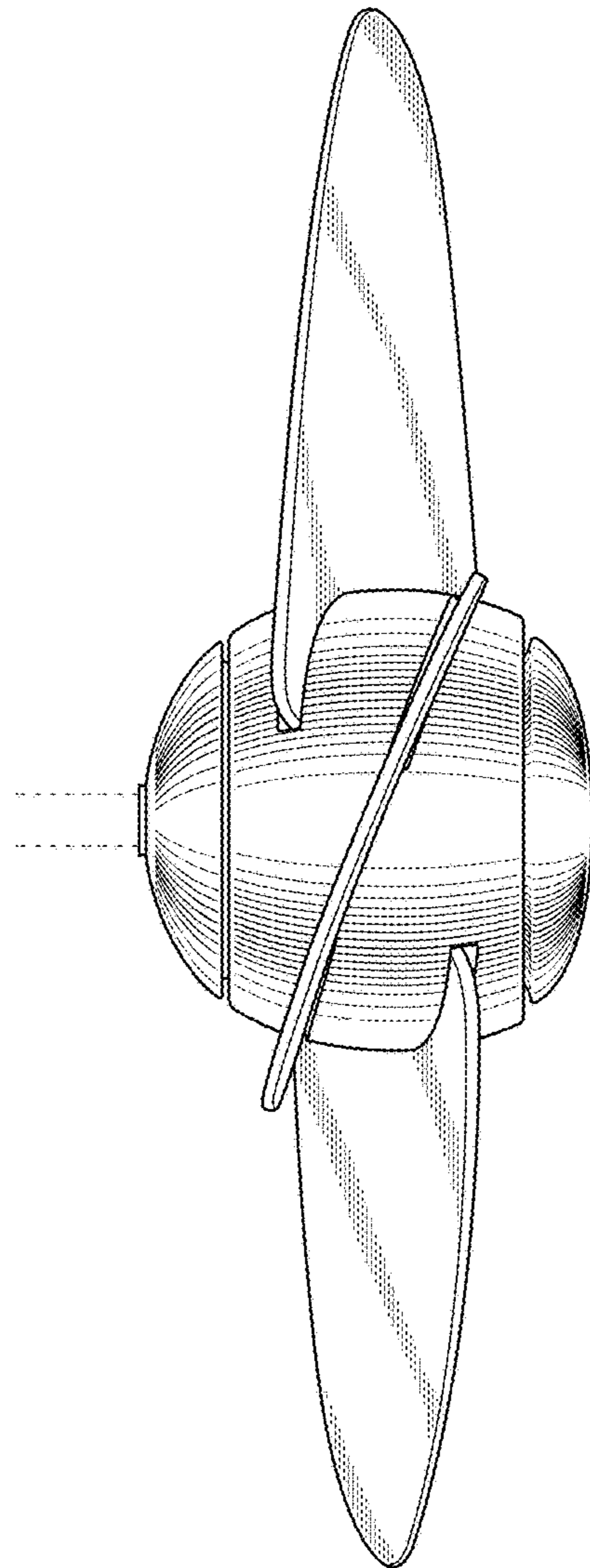


Fig.5

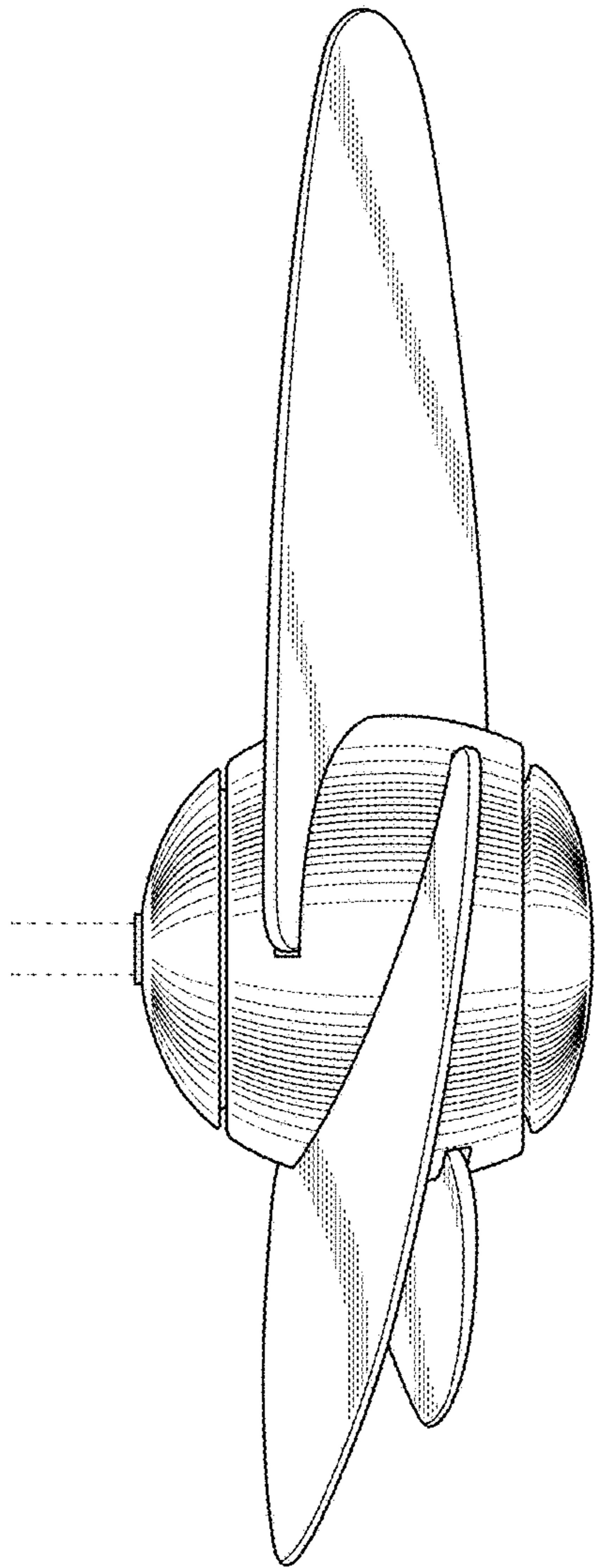


Fig. 6

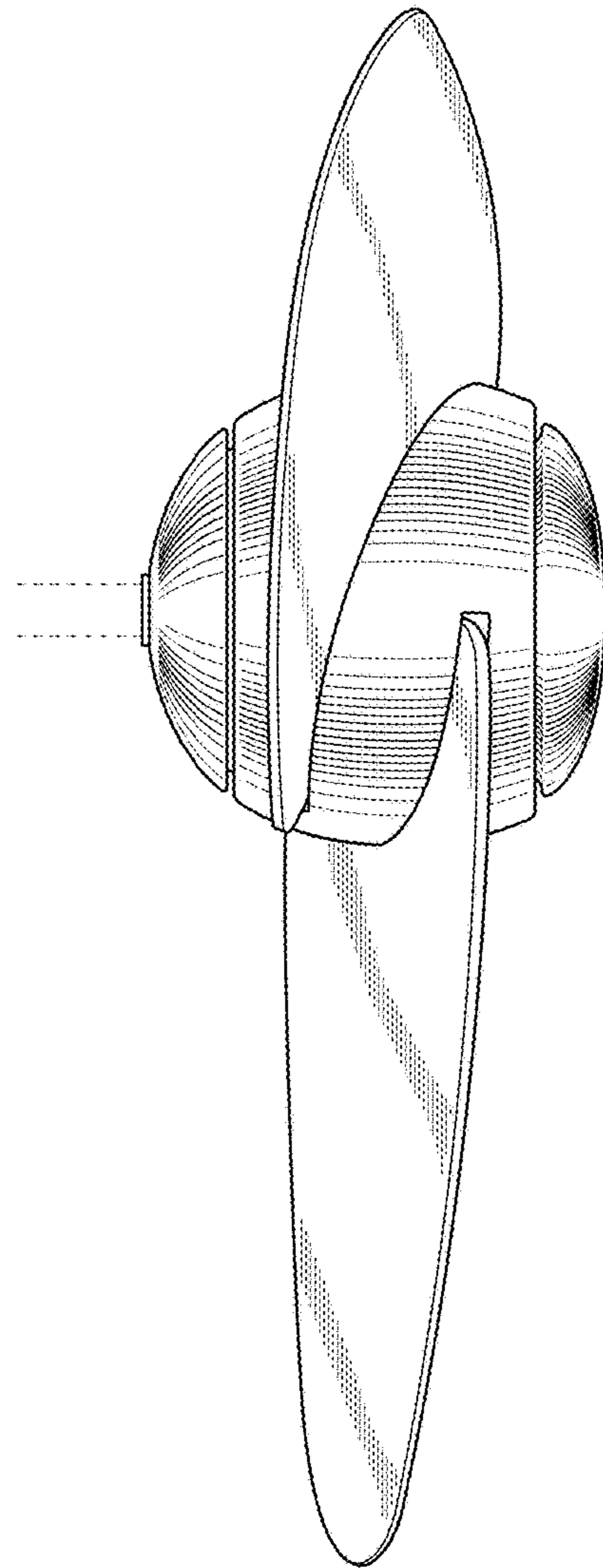


Fig. 7