



US00D850603S

(12) **United States Design Patent**
Wang

(10) **Patent No.:** **US D850,603 S**

(45) **Date of Patent:** **** Jun. 4, 2019**

(54) **CEILING FAN**

(71) Applicant: **AIR COOL INDUSTRIAL CO., LTD.**, Taichung (TW)

(72) Inventor: **Cliff Wang**, Taichung (TW)

(73) Assignee: **AIR COOL INDUSTRIAL CO., LTD.**, Taichung (TW)

(**) Term: **15 Years**

(21) Appl. No.: **29/613,391**

(22) Filed: **Aug. 9, 2017**

(51) **LOC (11) Cl.** **23-04**

(52) **U.S. Cl.**
USPC **D23/377; D26/59**

(58) **Field of Classification Search**
USPC D23/377, 379, 385, 411-414, 351, 352,
D23/354, 370, 371, 373-375, 381,
D23/386-389, 393; D26/59, 88, 89
CPC F04D 25/088; F04D 29/38; F04D 29/384;
F04D 29/386; F21V 33/0096
See application file for complete search history.

(56) **References Cited**

U.S. PATENT DOCUMENTS

| | | | | |
|--------------|---------|----------|-------|---------|
| D346,858 S * | 5/1994 | Lee | | D23/377 |
| D382,636 S * | 8/1997 | Yang | | D23/377 |
| D384,737 S * | 10/1997 | Gee, II | | D23/377 |
| D396,530 S * | 7/1998 | Tai | | D23/377 |
| D407,155 S * | 3/1999 | Liu | | D23/377 |
| D466,206 S * | 11/2002 | Gajewski | | D23/377 |
| D476,408 S * | 6/2003 | Hidalgo | | D23/411 |
| D476,728 S * | 7/2003 | Gajewski | | D23/377 |
| D503,472 S * | 3/2005 | Tai | | D23/413 |
| D634,053 S * | 3/2011 | Guercio | | D26/89 |

| | | | | |
|-------------------|---------|-----------|-------|----------------------|
| D707,336 S * | 6/2014 | Pan | | D23/377 |
| D744,633 S * | 12/2015 | Wang | | D23/411 |
| D774,176 S * | 12/2016 | Wang | | D23/385 |
| D785,156 S * | 4/2017 | Wang | | D23/377 |
| D789,511 S * | 6/2017 | Wang | | D23/377 |
| D794,768 S * | 8/2017 | Wang | | D23/377 |
| D796,659 S * | 9/2017 | Schulzman | | D23/377 |
| D800,291 S * | 10/2017 | Wang | | D23/377 |
| D804,629 S * | 12/2017 | McRoberts | | D23/377 |
| D809,691 S * | 2/2018 | Wang | | D26/59 |
| D817,472 S * | 5/2018 | Schulzman | | D23/377 |
| 2009/0129974 A1 * | 5/2009 | McEllen | | A61L 9/205 422/24 |

* cited by examiner

Primary Examiner — Cathron C Brooks

Assistant Examiner — Sharon S Oum

(74) *Attorney, Agent, or Firm* — Pai Patent & Trademark Law Firm; Chao-Chang David Pai

(57) **CLAIM**

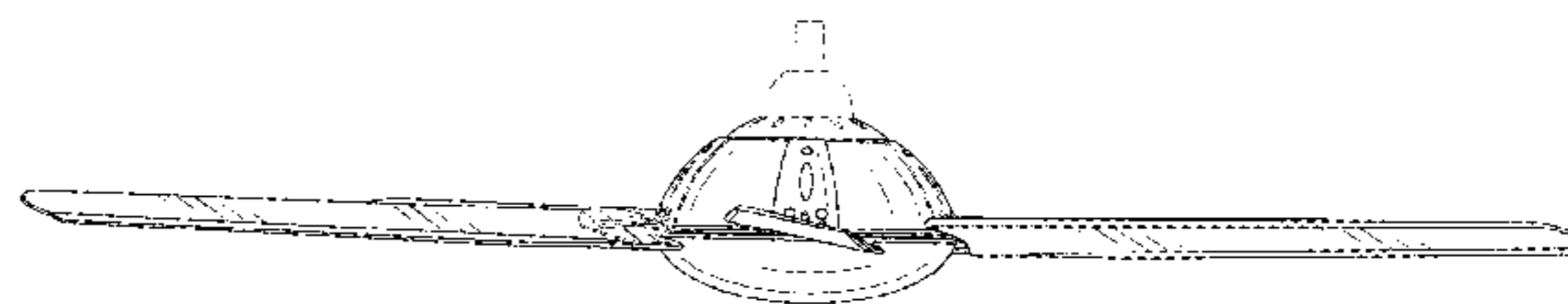
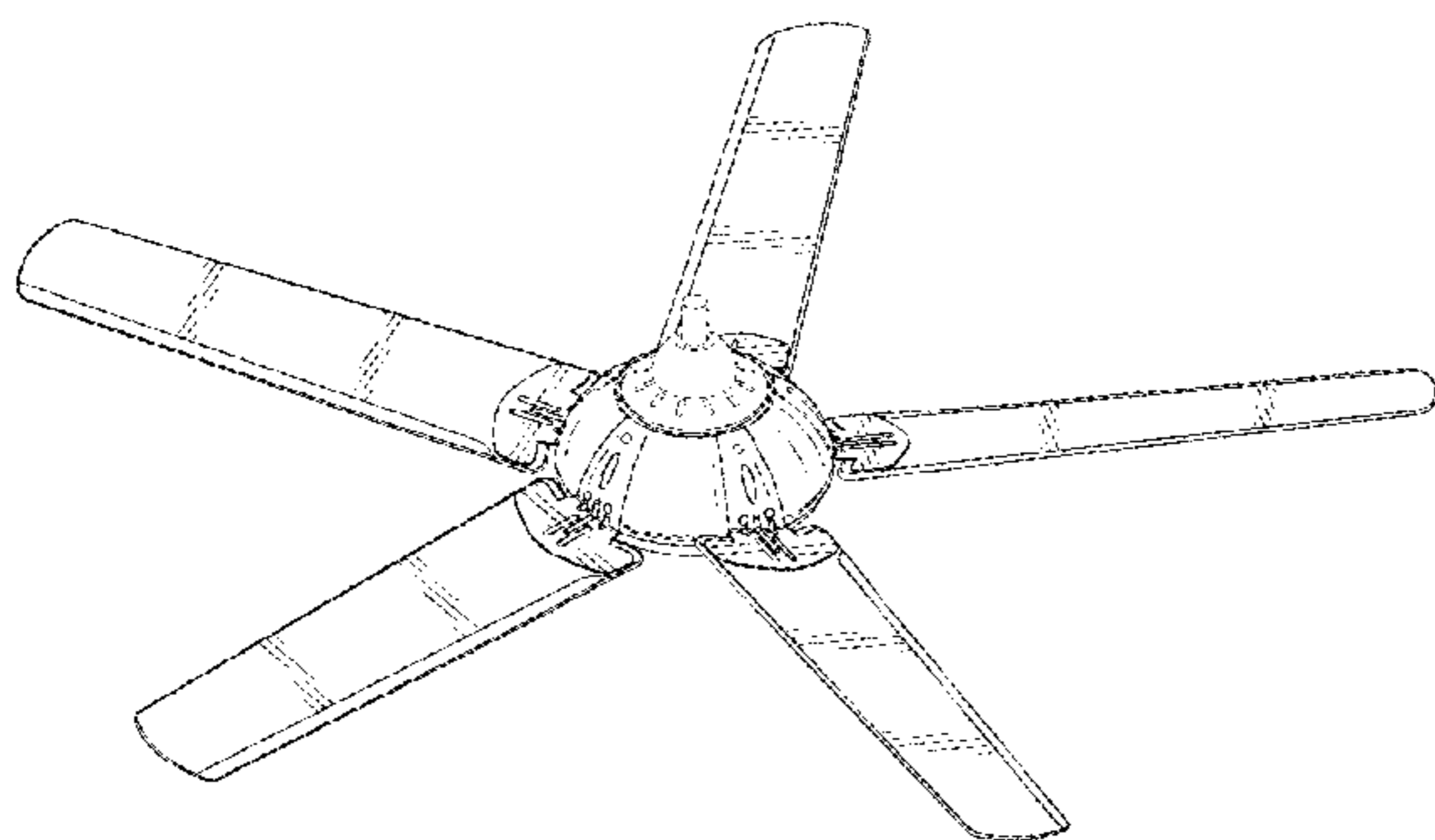
The ornamental design for a ceiling fan, as shown and described.

DESCRIPTION

FIG. 1 is a front top perspective view of a ceiling fan showing my new design;
FIG. 2 is a front elevational view thereof;
FIG. 3 is a rear elevational view thereof;
FIG. 4 is a left side elevational view thereof;
FIG. 5 is a right side elevational view thereof;
FIG. 6 is a top plan view thereof;
FIG. 7 is a bottom plan view thereof; and,
FIG. 8 is a front bottom perspective view thereof.

The broken lines illustrate portions of the ceiling fan and form no part of the claimed design.

1 Claim, 6 Drawing Sheets



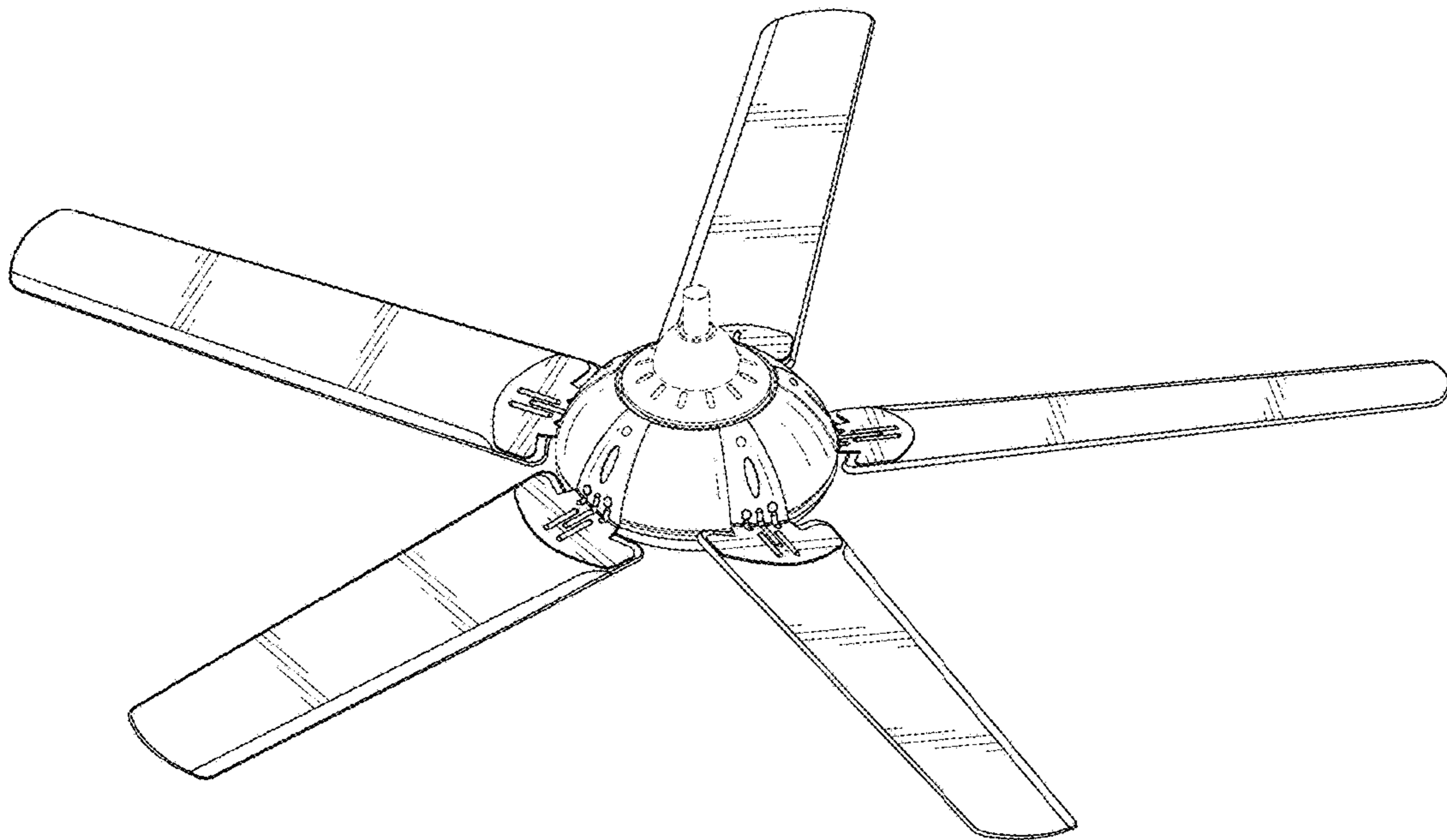


FIG. 1

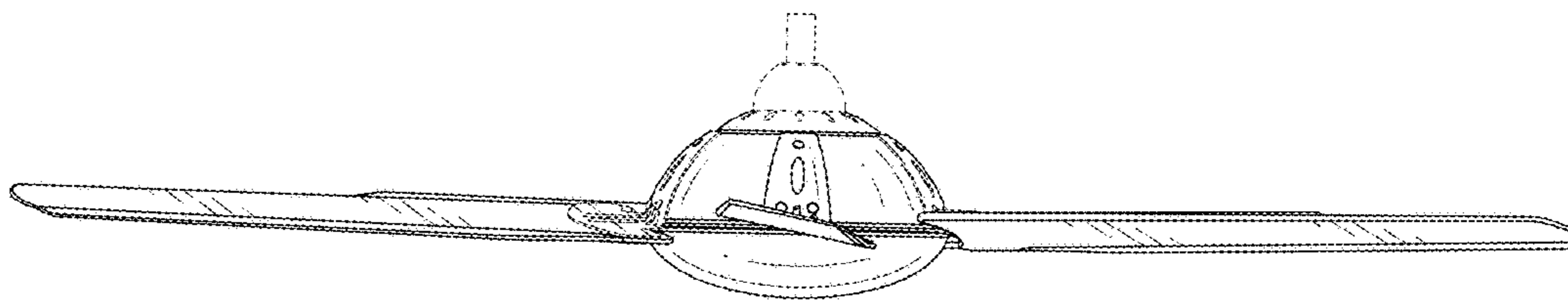


FIG. 2

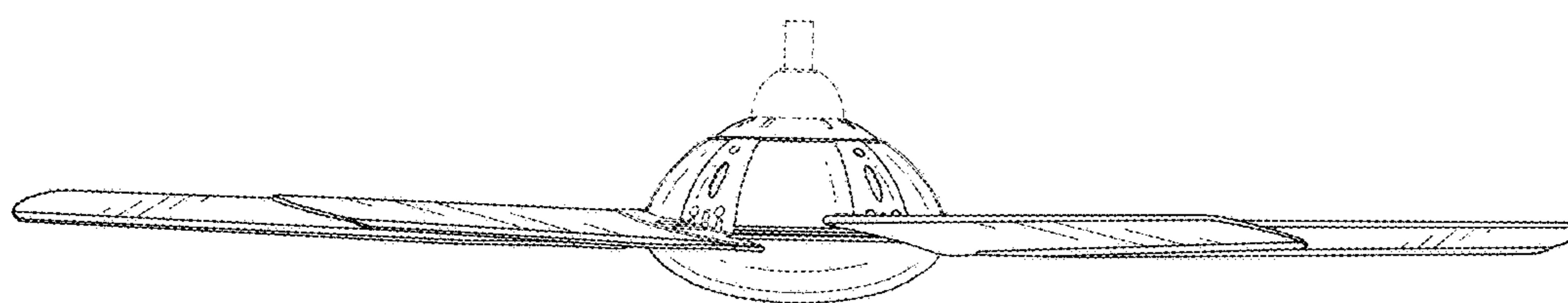


FIG. 3

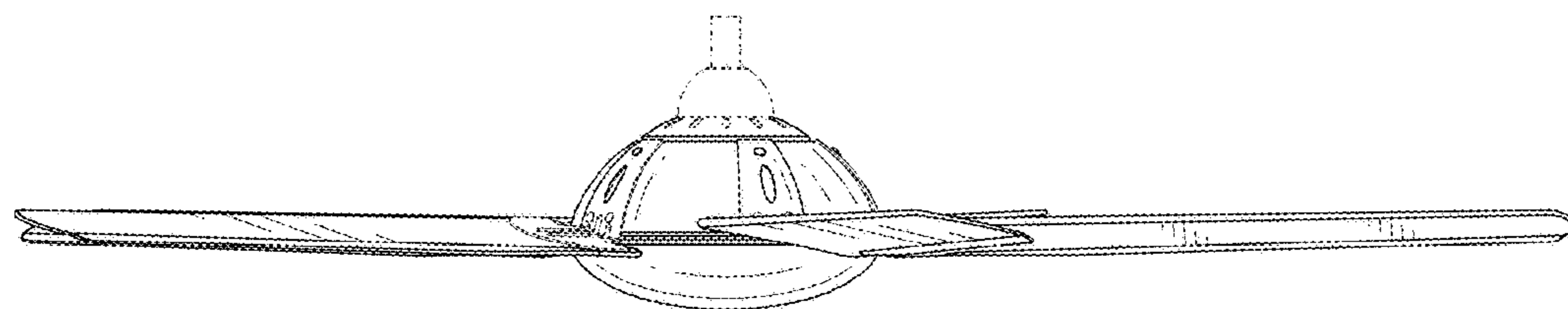


FIG. 4

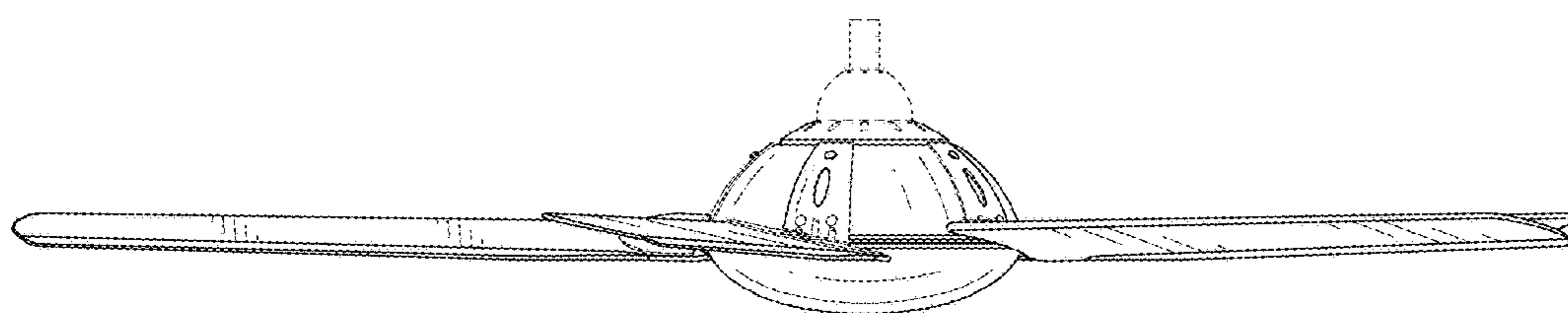


FIG. 5

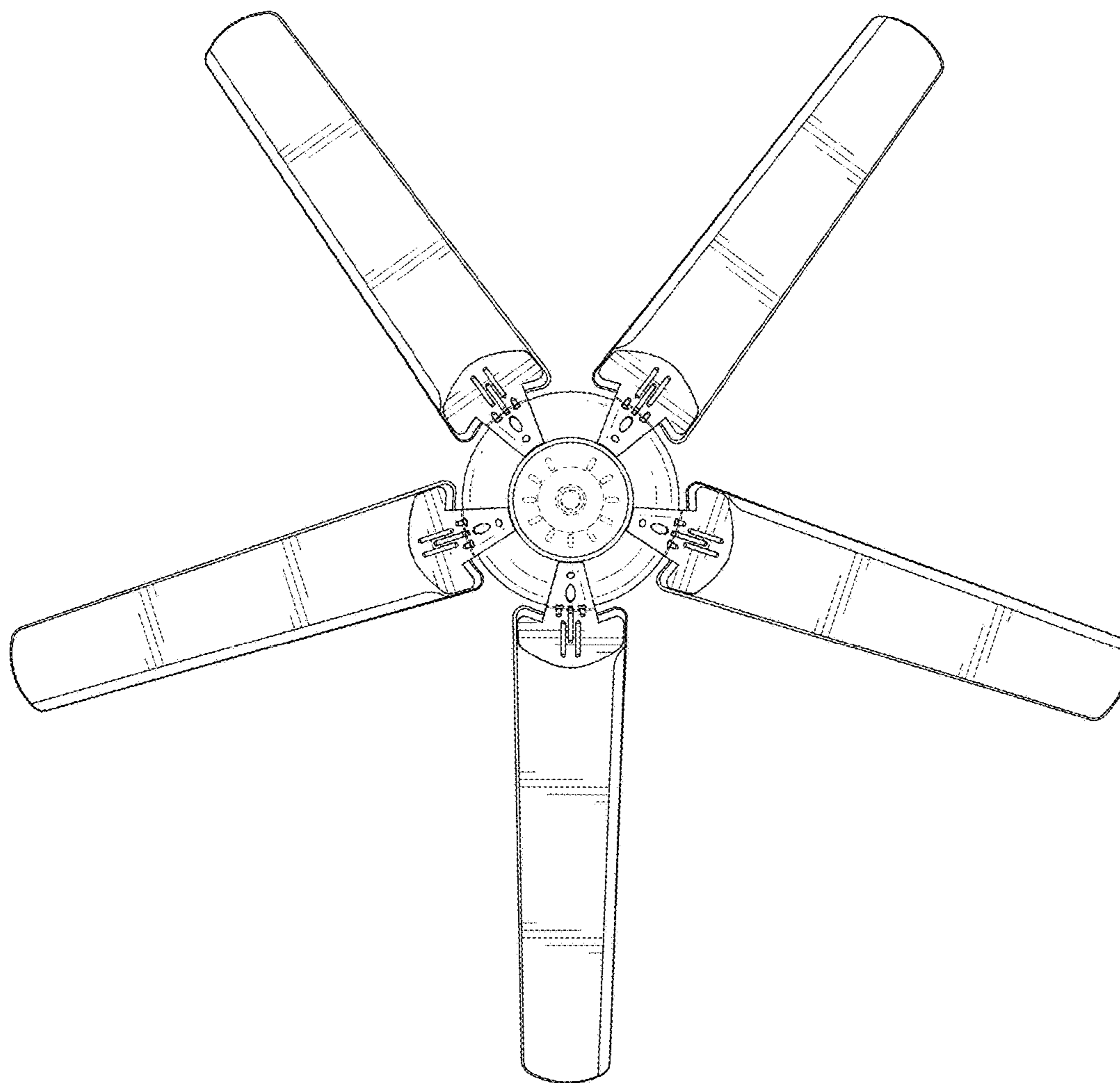


FIG. 6

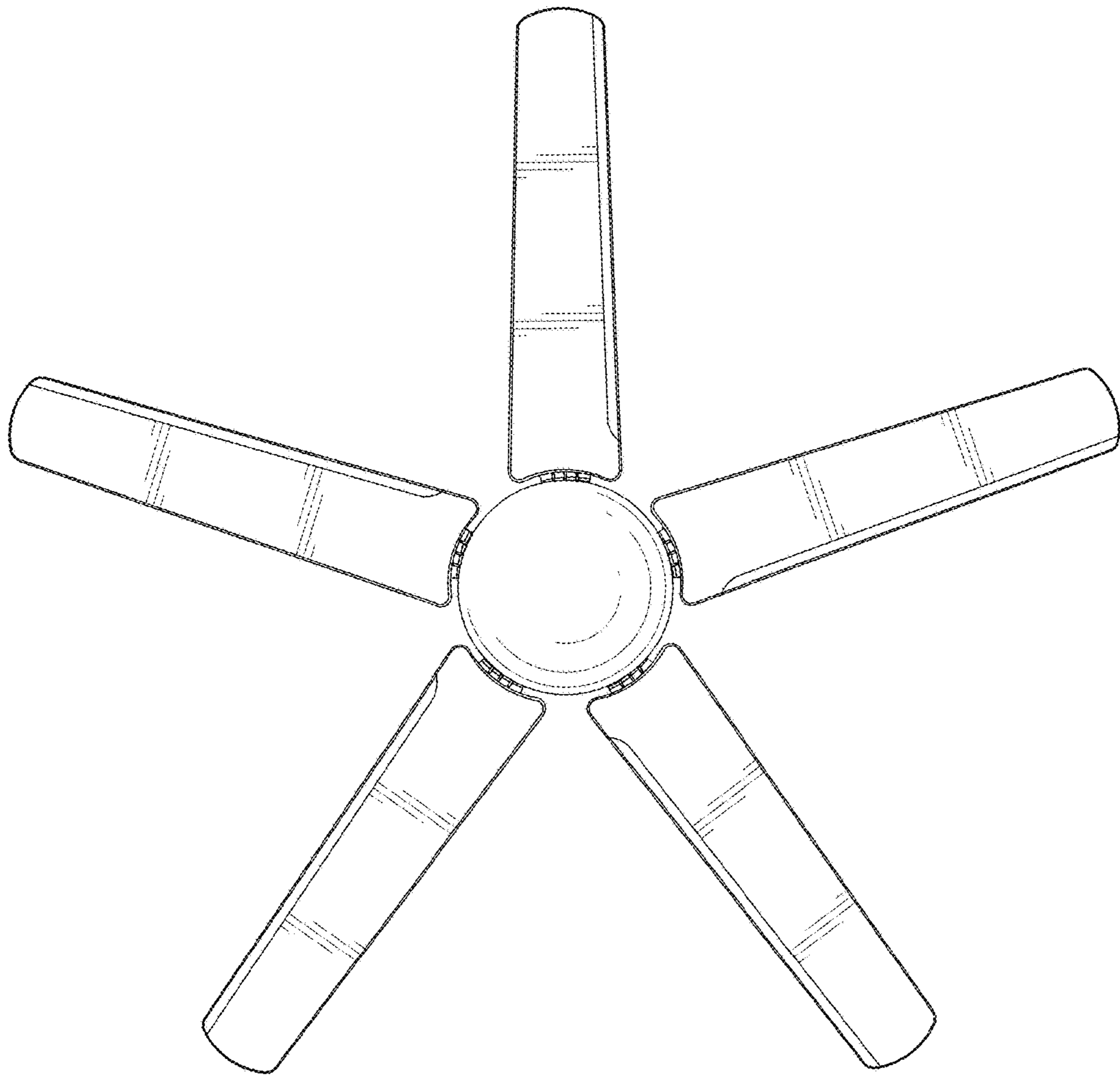


FIG. 7

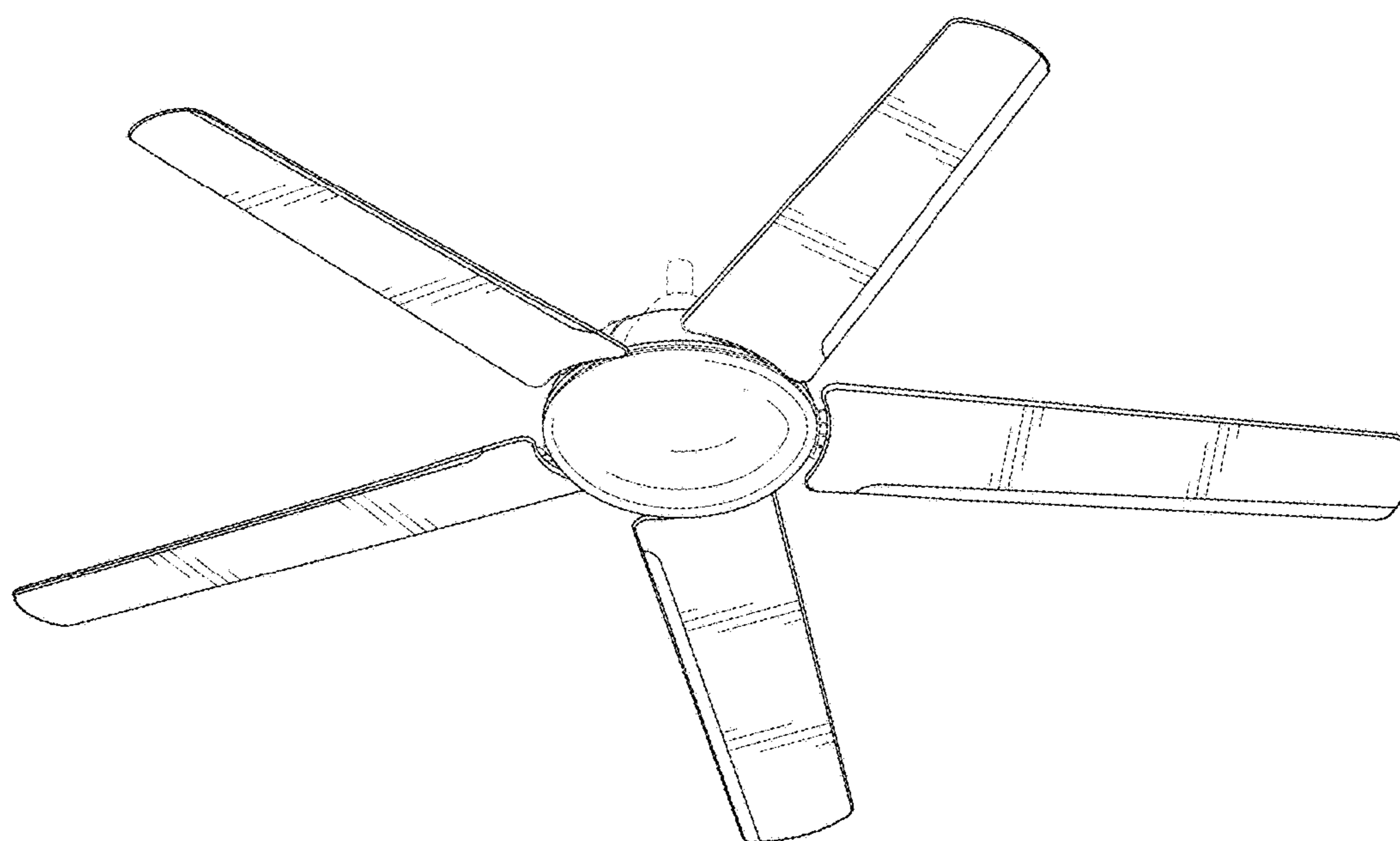


FIG. 8