



US00D850602S

(12) **United States Design Patent**  
**Flores**

(10) **Patent No.:** **US D850,602 S**  
(45) **Date of Patent:** **\*\* Jun. 4, 2019**

- (54) **CEILING FAN**
- (71) Applicant: **AIR COOL INDUSTRIAL CO., LTD.**, Taichung (TW)
- (72) Inventor: **Miguel Flores**, Reseda, CA (US)
- (73) Assignee: **AIR COOL INDUSTRIAL CO., LTD.**, Taichung (TW)
- (\*\*) Term: **15 Years**
- (21) Appl. No.: **29/609,975**
- (22) Filed: **Jul. 7, 2017**
- (51) **LOC (11) Cl.** ..... **23-04**
- (52) **U.S. Cl.**  
USPC ..... **D23/377; D26/59**
- (58) **Field of Classification Search**  
USPC ..... D23/377, 379, 385, 411-414, 351, 352,  
D23/354, 370, 371, 373-375, 381,  
D23/386-389, 393; D26/59, 88, 89  
CPC ..... F04D 25/088; F04D 29/38; F04D 29/384;  
F04D 29/386; F21V 33/0096  
See application file for complete search history.

(56) **References Cited**

U.S. PATENT DOCUMENTS

D191,707 S *	11/1961	Schlumbohm	.....	D23/370
D220,207 S *	3/1971	Edman et al.	.....	D26/67
D226,217 S *	1/1973	Anderson, Jr.	.....	D26/88
3,766,375 A *	10/1973	Edman	.....	F21V 5/00 362/309
D347,887 S *	6/1994	Liu	.....	D23/377
D376,008 S *	11/1996	Chan	.....	D23/377
D393,710 S *	4/1998	Gee, II	.....	D23/377
D394,103 S *	5/1998	Lee	.....	D23/377
D427,672 S *	7/2000	Lee	.....	D23/377
D478,974 S *	8/2003	Hidalgo	.....	D23/377

D536,438 S *	2/2007	Curtin	.....	D23/411
D593,672 S *	6/2009	Busta	.....	D23/377
D594,544 S *	6/2009	Pan	.....	D23/377
D628,687 S *	12/2010	Yao	.....	D23/377
D628,688 S *	12/2010	Pan	.....	D23/377
D632,381 S *	2/2011	Davenport	.....	D23/377
D705,921 S *	5/2014	Wang	.....	D23/385
D706,406 S *	6/2014	Wang	.....	D23/385
D716,991 S *	11/2014	Kitts	.....	D26/88
D738,558 S *	9/2015	Silver	.....	D26/88
D756,503 S *	5/2016	Wang	.....	D23/411
D759,799 S *	6/2016	Wang	.....	D23/385
D770,667 S *	11/2016	Orozco	.....	D26/135
D800,297 S *	10/2017	Wang	.....	D23/411
D800,370 S *	10/2017	Sonneman	.....	D26/89

\* cited by examiner

*Primary Examiner* — Cathron C Brooks

*Assistant Examiner* — Sharon S Oum

(74) *Attorney, Agent, or Firm* — Pai Patent & Trademark Law Firm; Chao-Chang David Pai

(57) **CLAIM**

The ornamental design for a ceiling fan, as shown and described.

**DESCRIPTION**

FIG. 1 is a front top perspective view of a ceiling fan showing my new design;

FIG. 2 is a front elevational view thereof;

FIG. 3 is a rear elevational view thereof;

FIG. 4 is a left side elevational view thereof;

FIG. 5 is a right side elevational view thereof;

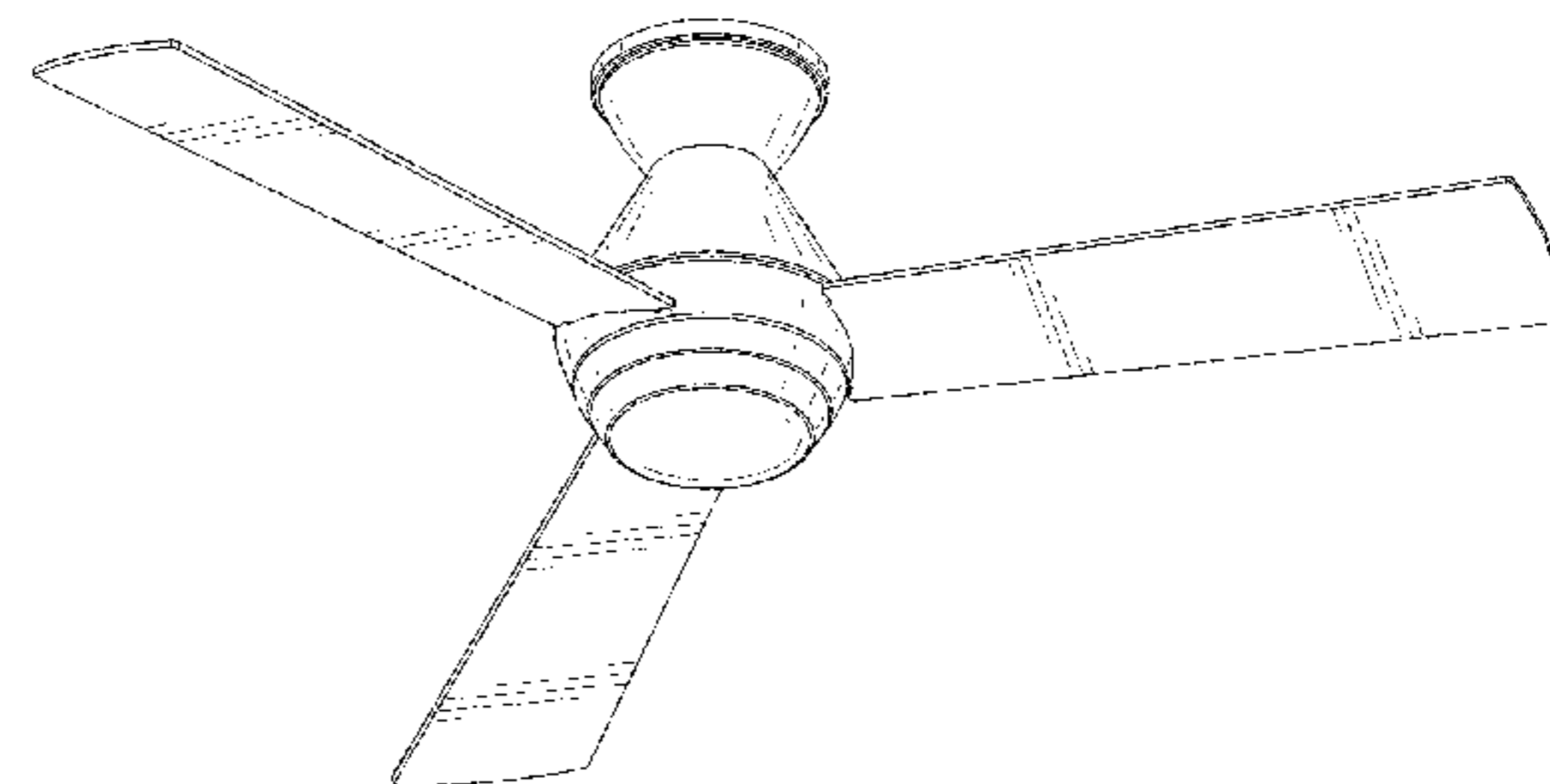
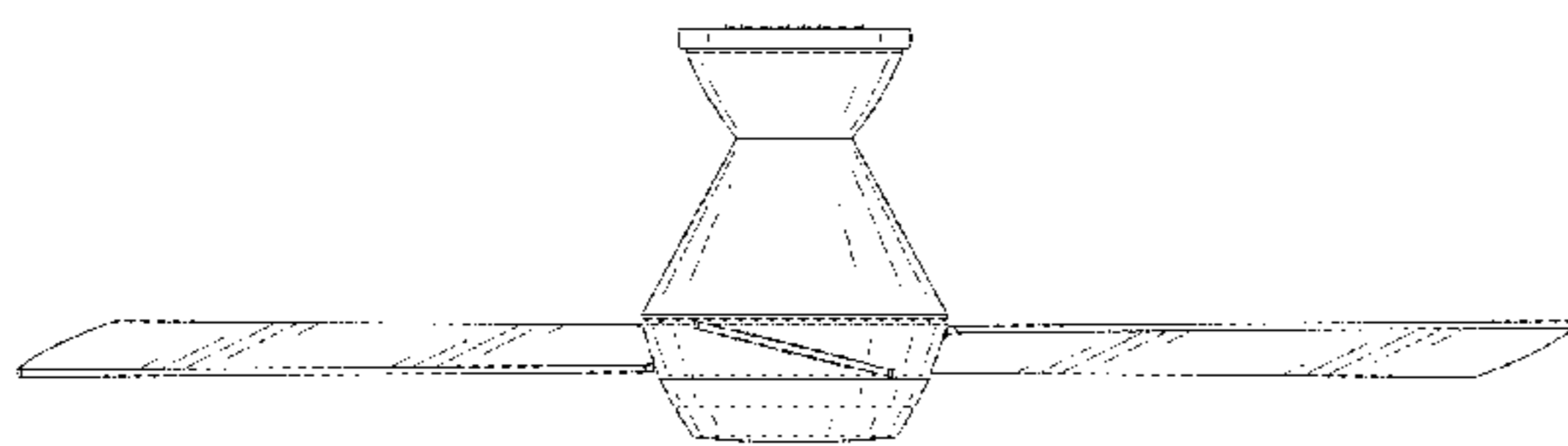
FIG. 6 is a top plan view thereof;

FIG. 7 is a bottom plan view thereof; and,

FIG. 8 is a front bottom perspective view thereof.

The broken lines illustrate portions of the ceiling fan and form no part of the claimed design.

**1 Claim, 6 Drawing Sheets**



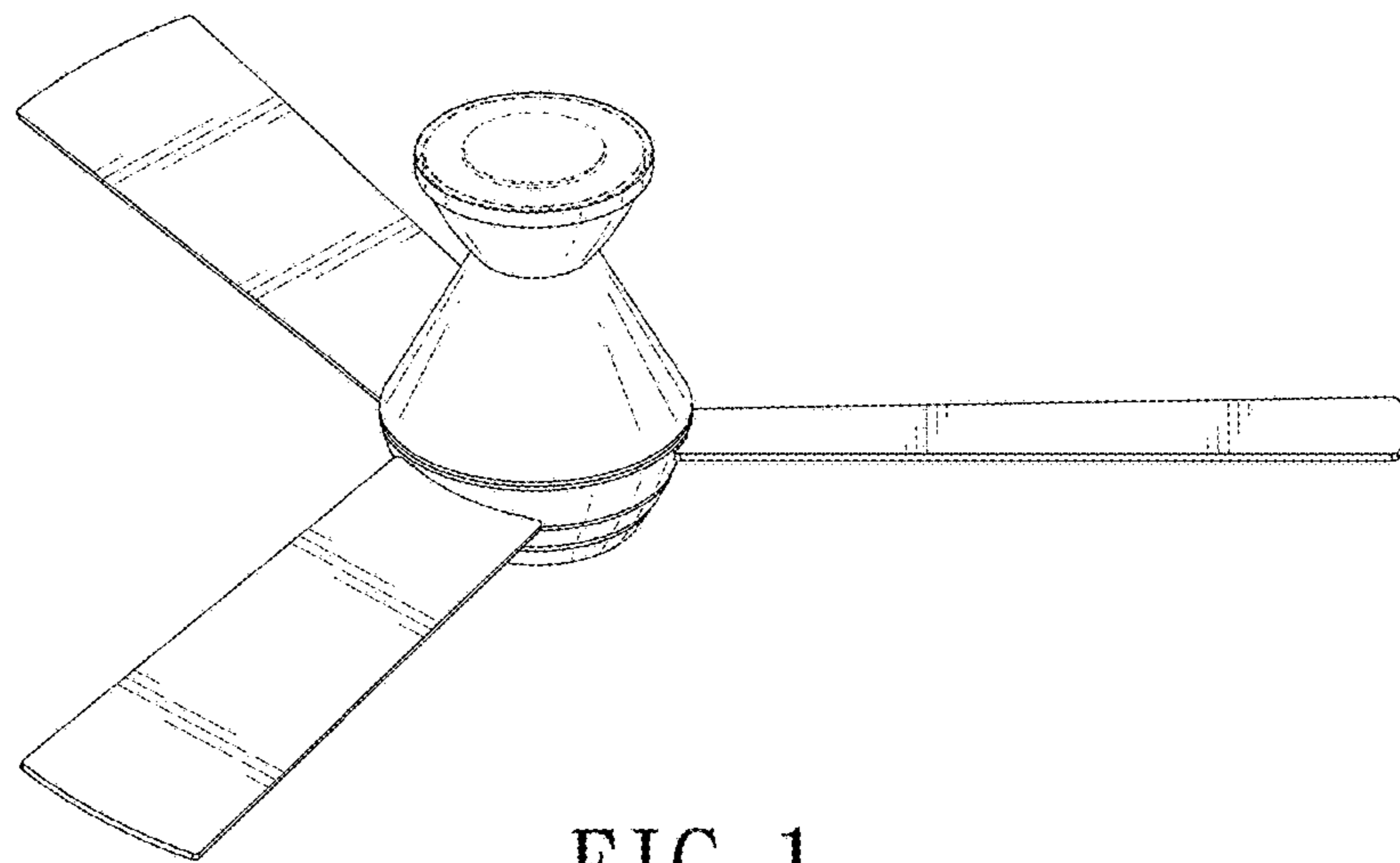


FIG. 1

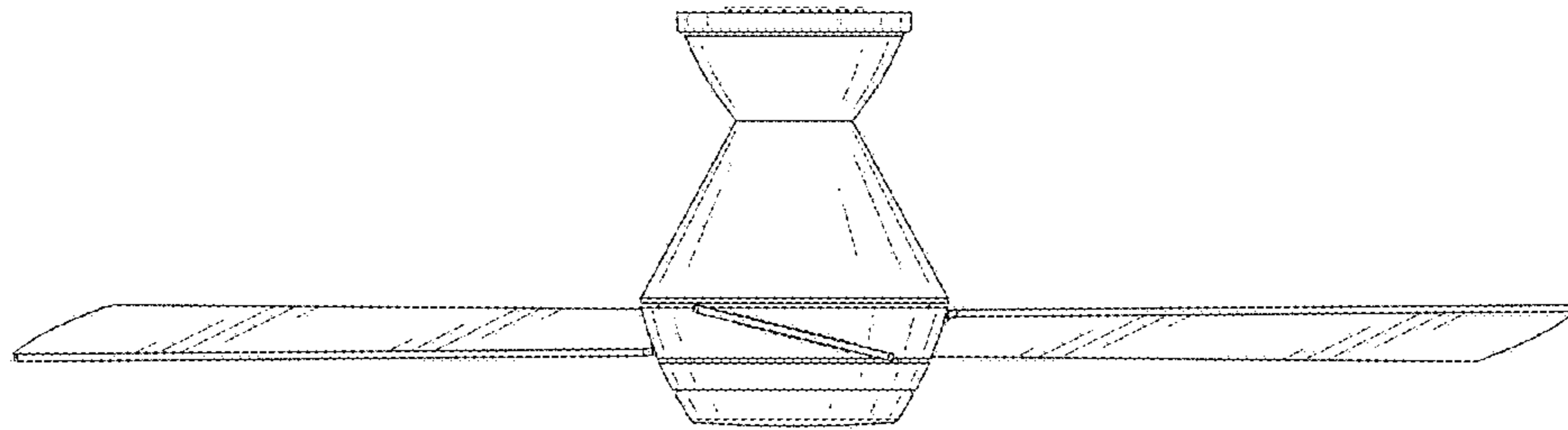


FIG. 2

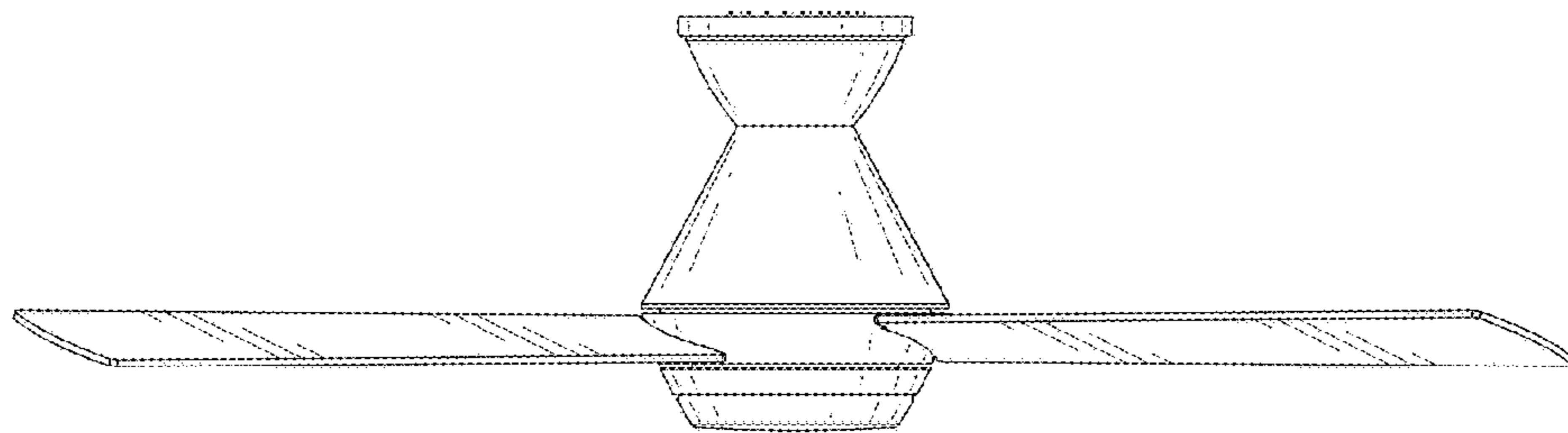


FIG. 3

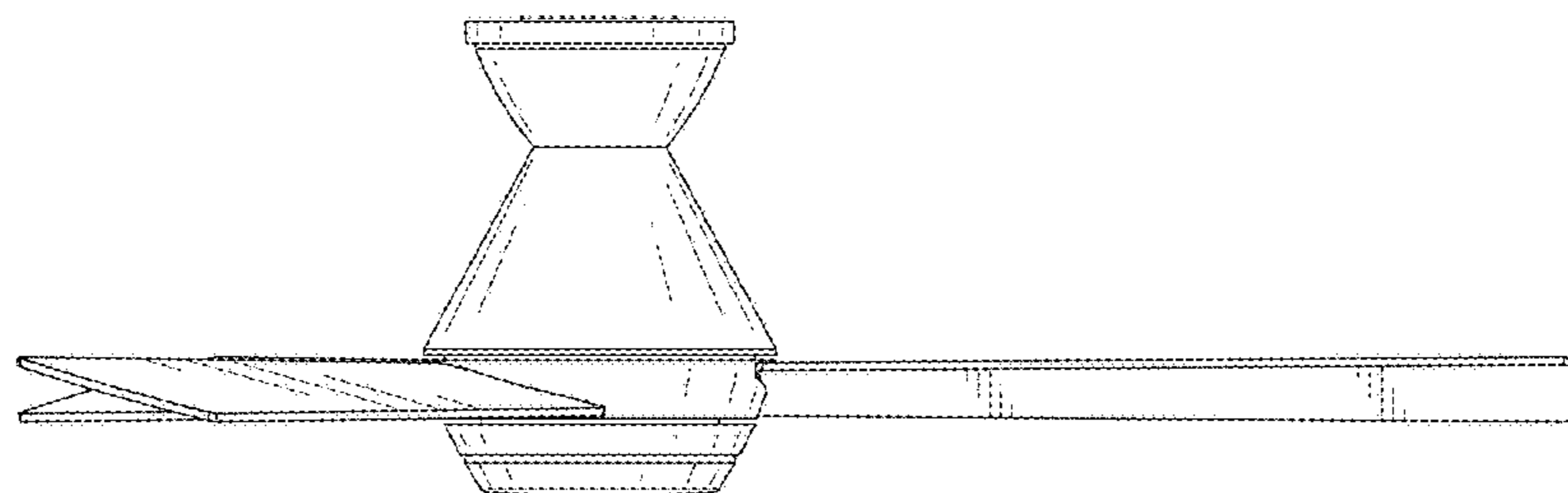


FIG. 4

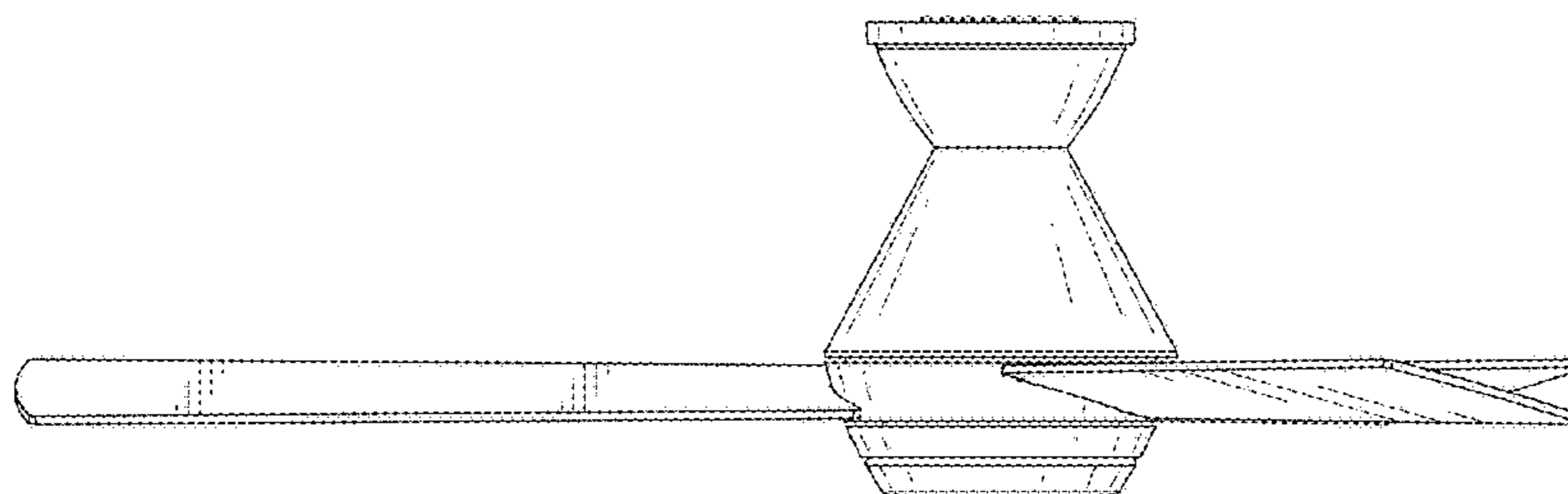


FIG. 5

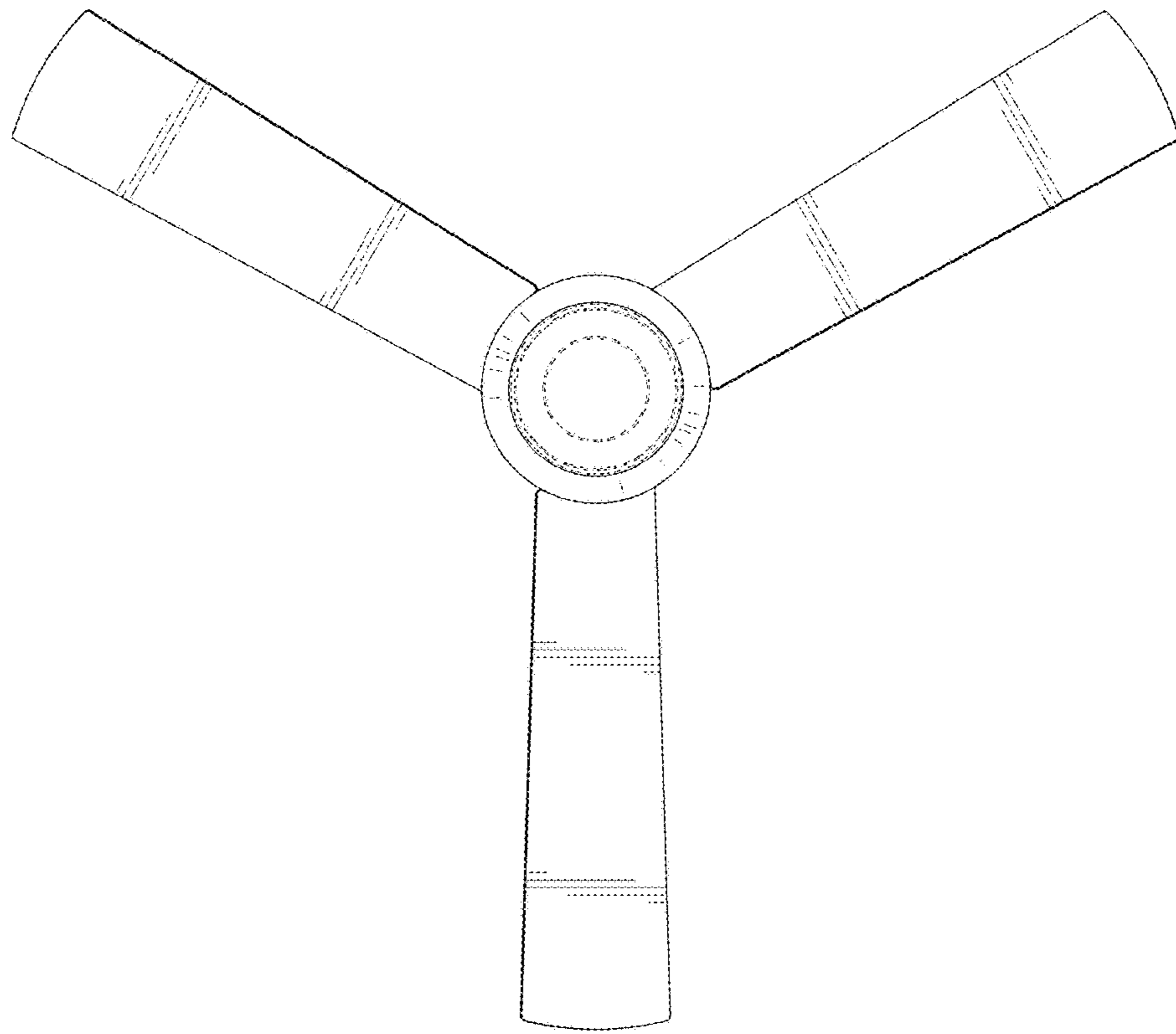


FIG. 6

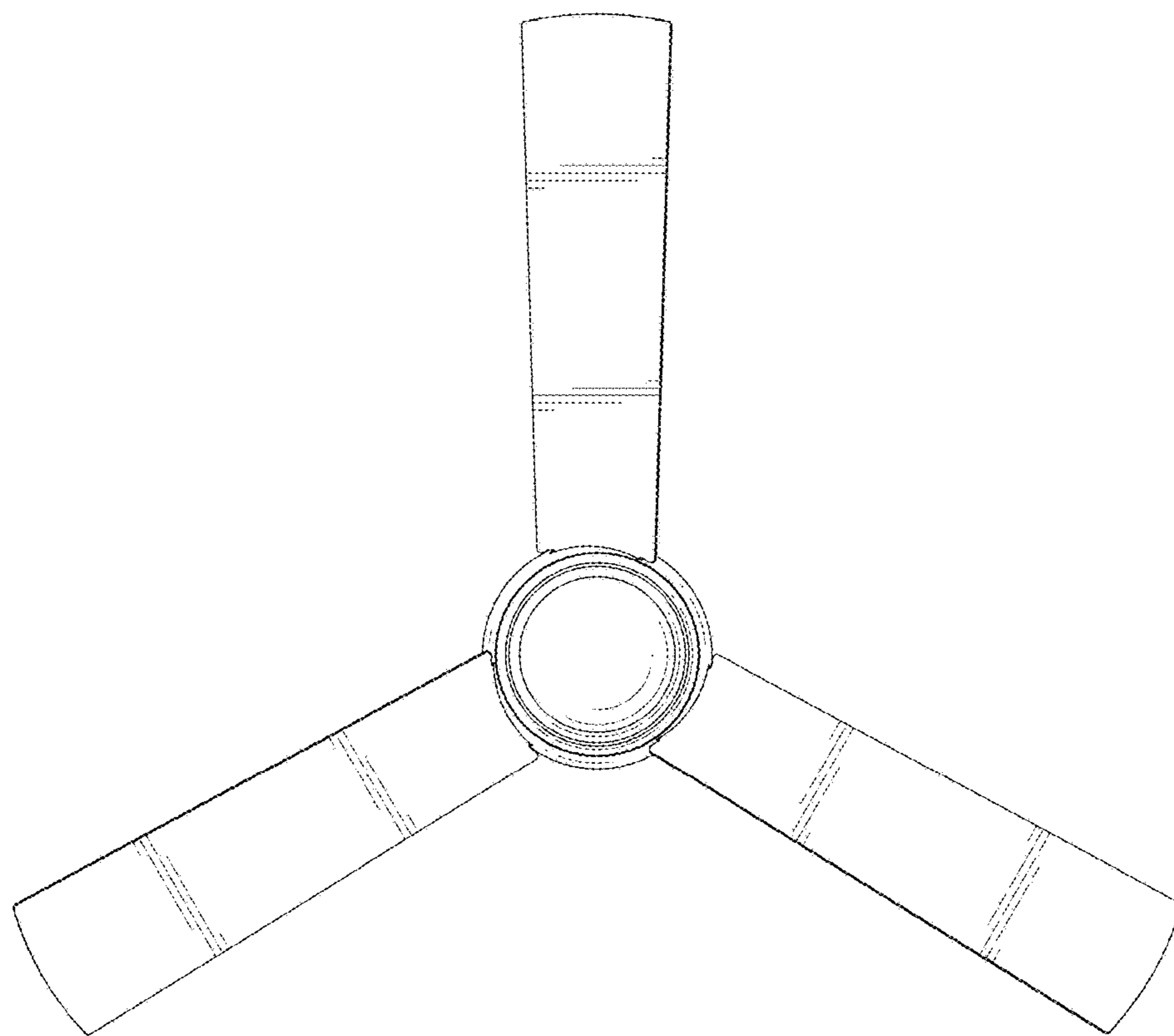


FIG. 7

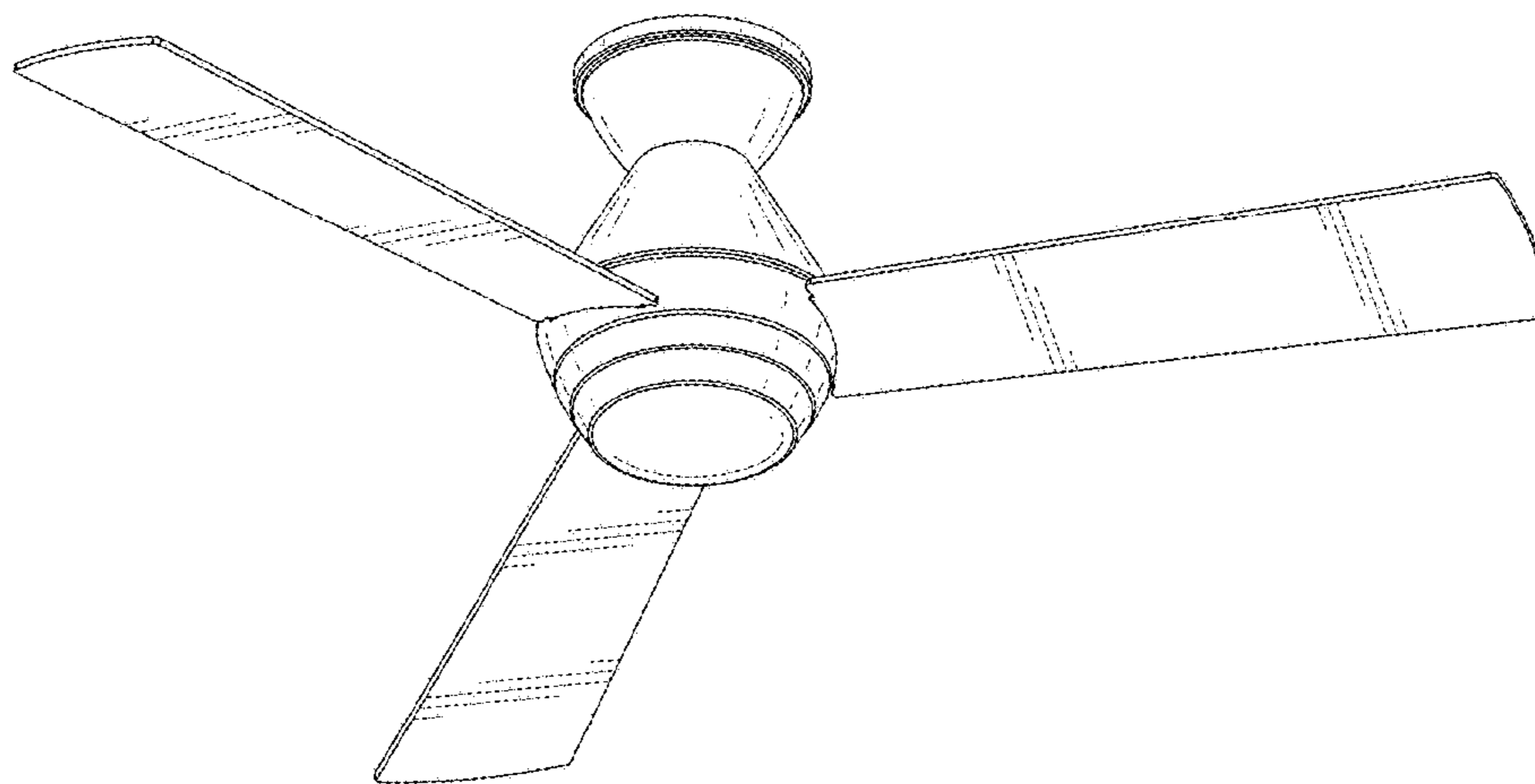


FIG. 8