



US00D850600S

(12) **United States Design Patent**
Gobber et al.

(10) **Patent No.:** **US D850,600 S**
(45) **Date of Patent:** **** Jun. 4, 2019**

(54) **AIR FRESHENER HAVING DEPRESSED FRONT CENTER CIRCLES AND REAR CLIP**

(71) Applicant: **ZOBELE HOLDING SPA**, Trento (IT)

(72) Inventors: **Cedric Gobber**, Barcelona (ES);
Joaquim Llorente Alonso, Barcelona (ES); **Åsa Jonsson**, Trento (IT)

(73) Assignee: **ZOBELE HOLDING SPA**, Trento (IT)

(**) Term: **15 Years**

(21) Appl. No.: **29/664,696**

(22) Filed: **Sep. 27, 2018**

Related U.S. Application Data

(62) Division of application No. 35/502,795, filed on Oct. 11, 2016 (U.S. filing date under 35 U.S.C. 384), and having an international filing date of Oct. 11, 2016, now Pat. No. Des. 834,170.

(30) **Foreign Application Priority Data**

Apr. 14, 2016 (ES) D0523090

(51) **LOC (11) Cl.** **23-99**

(52) **U.S. Cl.**
USPC **D23/368**

(58) **Field of Classification Search**

USPC D23/207, 208, 360, 364–369, 388;
D22/119, 122

CPC A61L 9/00; A61L 9/02; A61L 9/03; A61L 9/034; A61L 9/04; A61L 9/12; A61L 9/032; A61L 9/122; A61L 9/127; A61L 9/22; B01D 46/00; B01D 46/0002; B01D 46/20; F02M 35/04; F24F 13/20; A62B 21/00

See application file for complete search history.

(56) **References Cited**

U.S. PATENT DOCUMENTS

D379,651 S	6/1997	Rondeau	
D492,021 S	6/2004	Basaganas Millan	
D551,333 S *	9/2007	Wu	D23/366
D565,164 S *	3/2008	Duston	D23/366
D565,715 S *	4/2008	Wu	D23/366
D569,301 S	5/2008	Fotherby	
D585,129 S *	1/2009	Huang	D23/366
D597,648 S	8/2009	Heflin, III	
D614,279 S	4/2010	Lesniak	
D629,881 S *	12/2010	Valentino	D23/368
D657,040 S	4/2012	Young	
D665,153 S	8/2012	Suiter	

(Continued)

OTHER PUBLICATIONS

Zoble Group, “ZRS Product Catalogue—Pesticide-Free Fly Trap”, 2018, http://www.zobeled.com/sites/default/files/ZRS%20PRODUCTCATALOGUE%202018-WEB_0.pdf, 3p (Year: 2018).

Primary Examiner — Keli L Hill

(74) *Attorney, Agent, or Firm* — Ostrolenk Faber LLP

(57) **CLAIM**

The ornamental design for an air freshener having depressed front center circles and rear clip, as shown and described.

DESCRIPTION

FIG. 1 is a top view illustration of an air freshener having depressed front center circles and a rear clip.

FIG. 2 is a left side view illustration thereof.

FIG. 3 is a right side view illustration thereof.

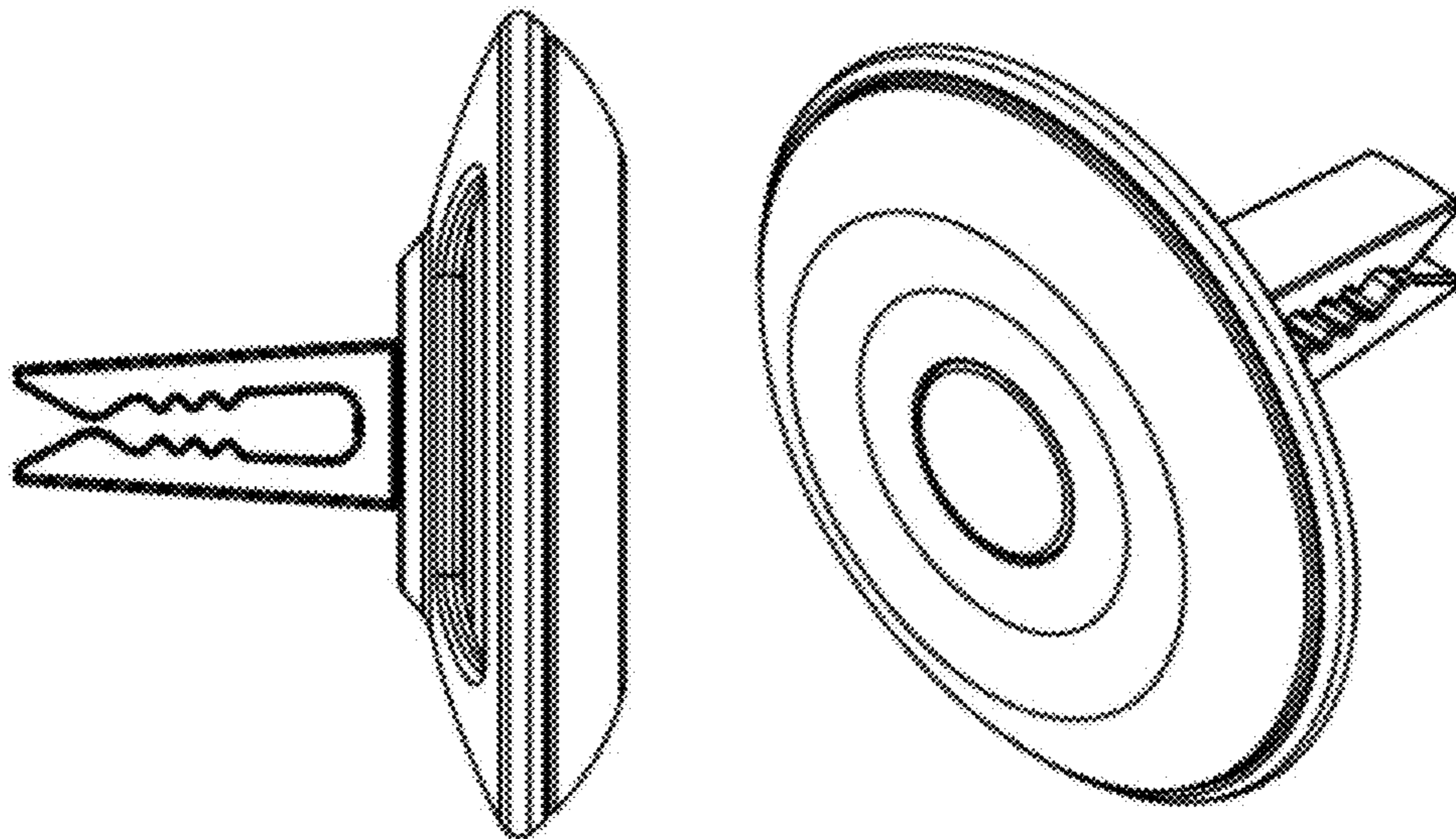
FIG. 4 is a top, front and left side perspective illustration thereof.

FIG. 5 is a front view illustration thereof.

FIG. 6 is a rear view illustration thereof; and,

FIG. 7 is a bottom view illustration thereof.

1 Claim, 7 Drawing Sheets



(56)

References Cited

U.S. PATENT DOCUMENTS

D698,103 S 1/2014 Muhr
D751,683 S * 3/2016 Furner D23/368
D803,377 S * 11/2017 Gobber D23/366

* cited by examiner

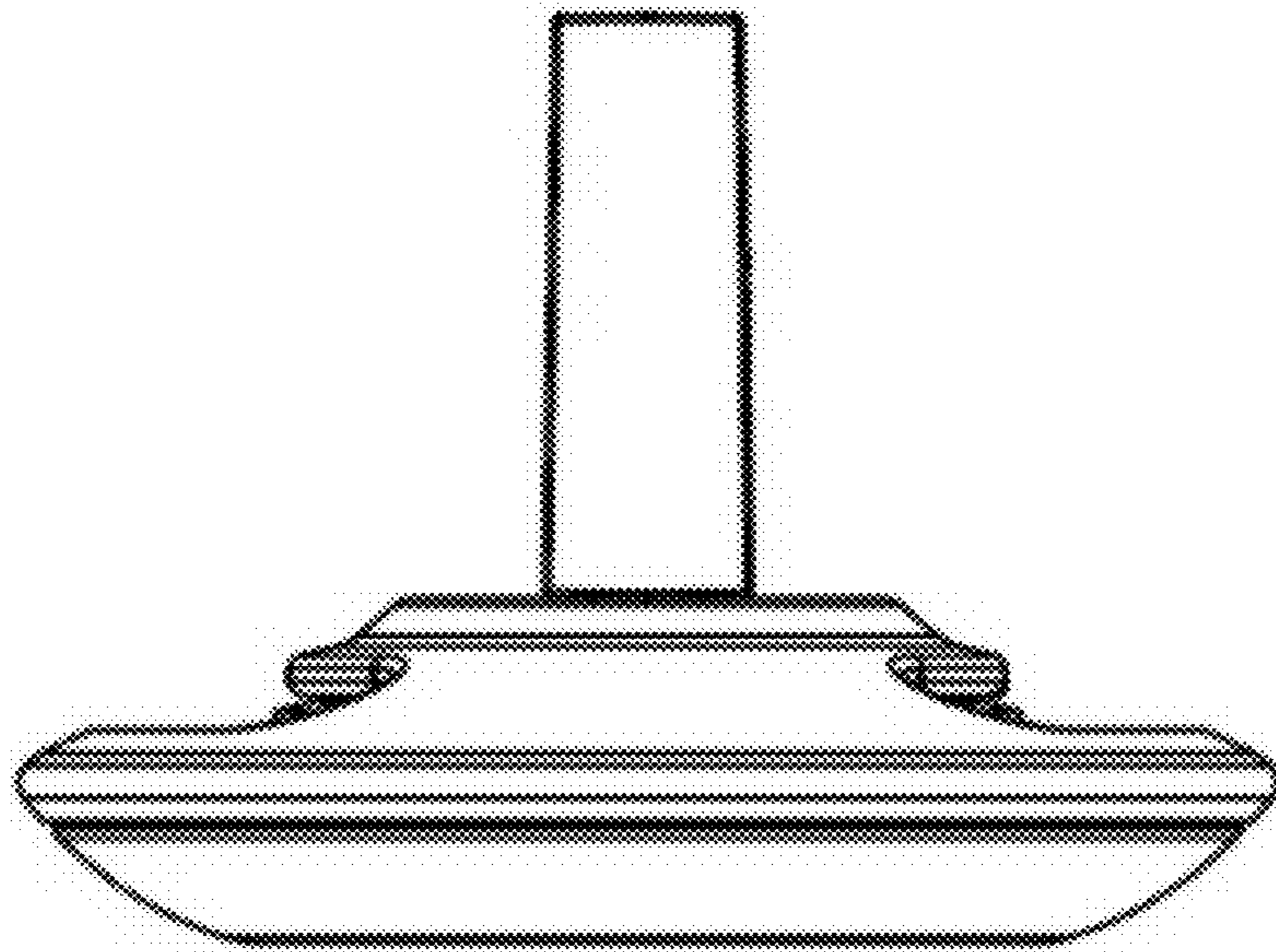


FIG. 1

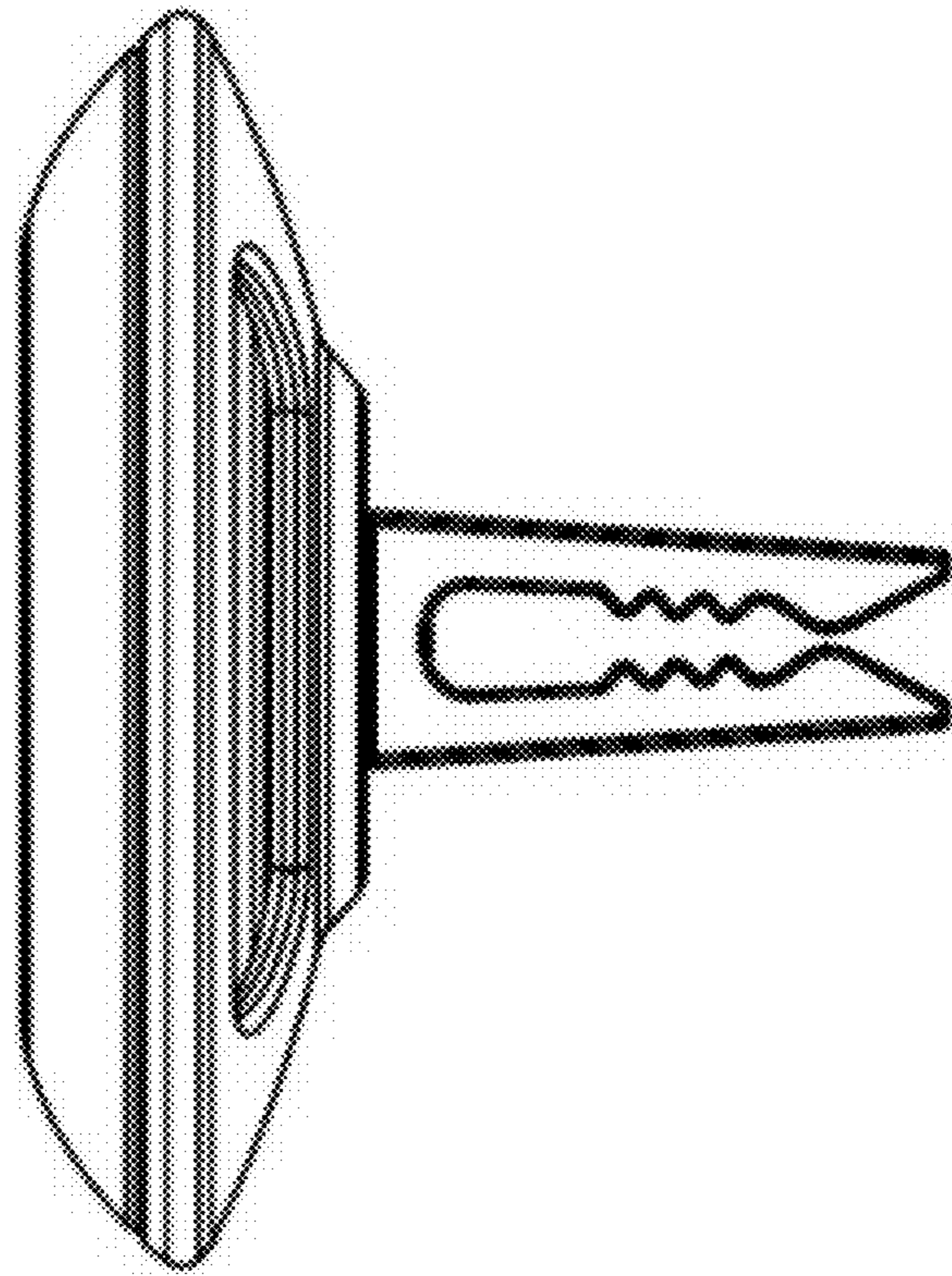


FIG. 2

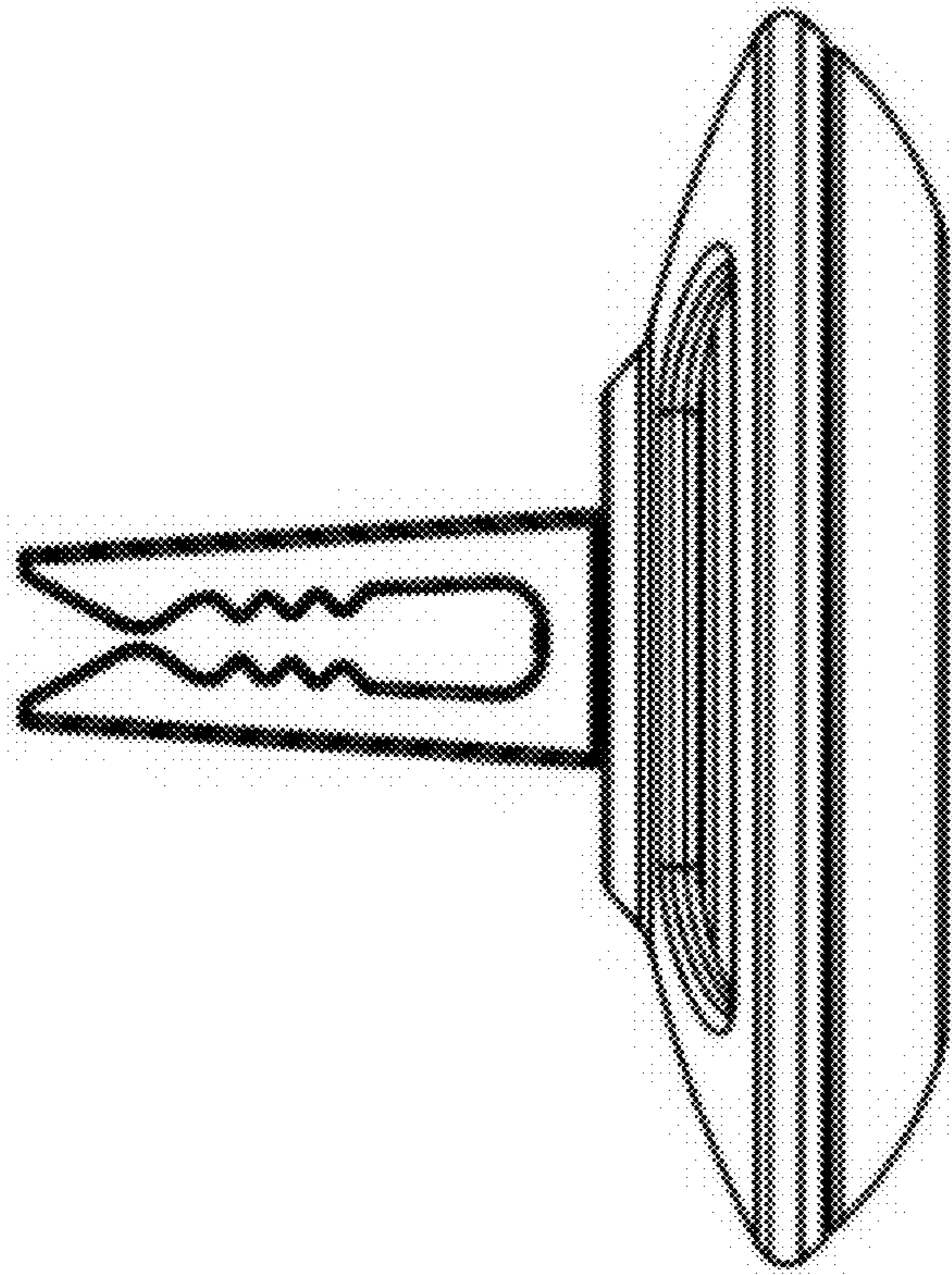


FIG. 3

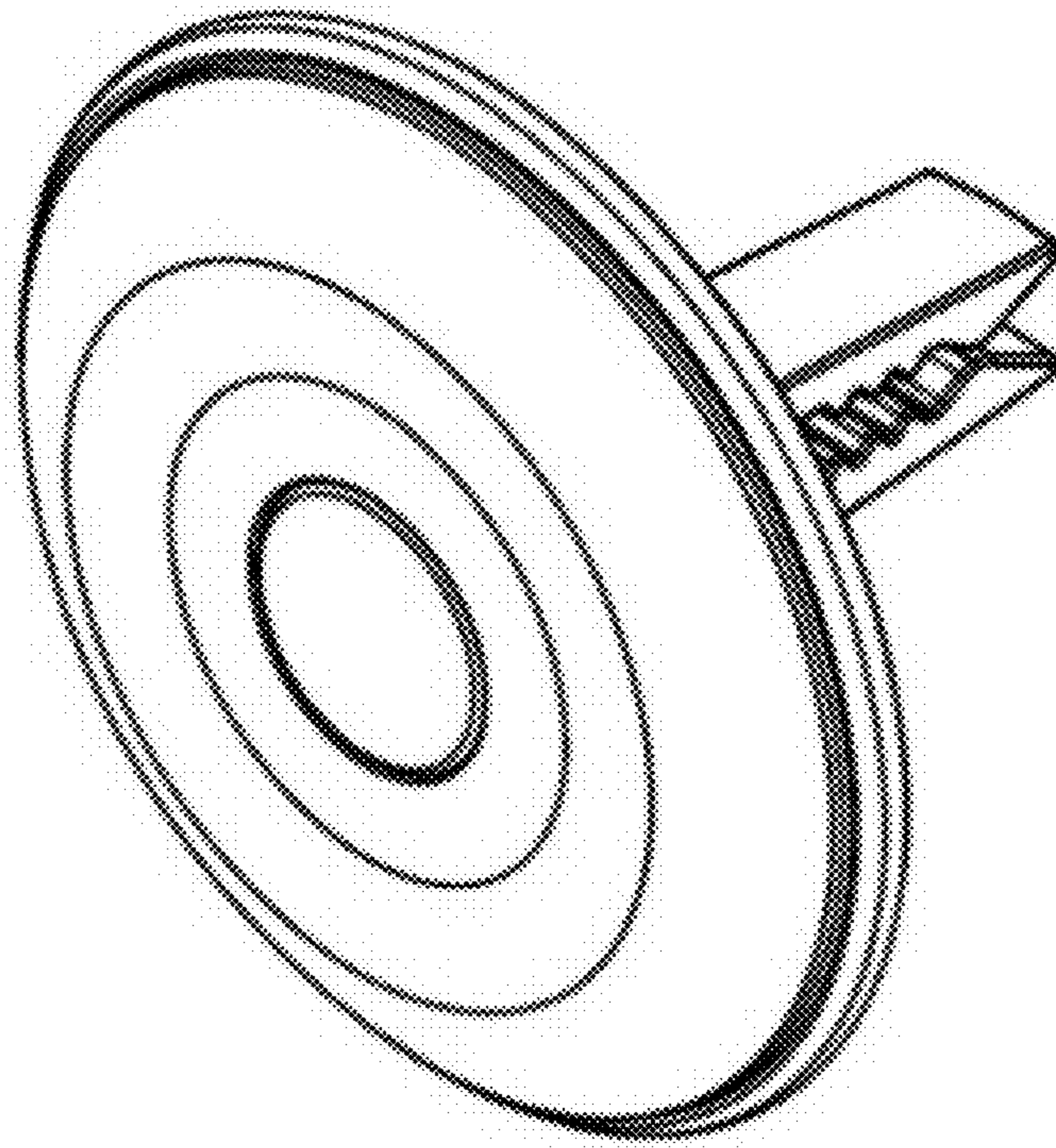


FIG. 4

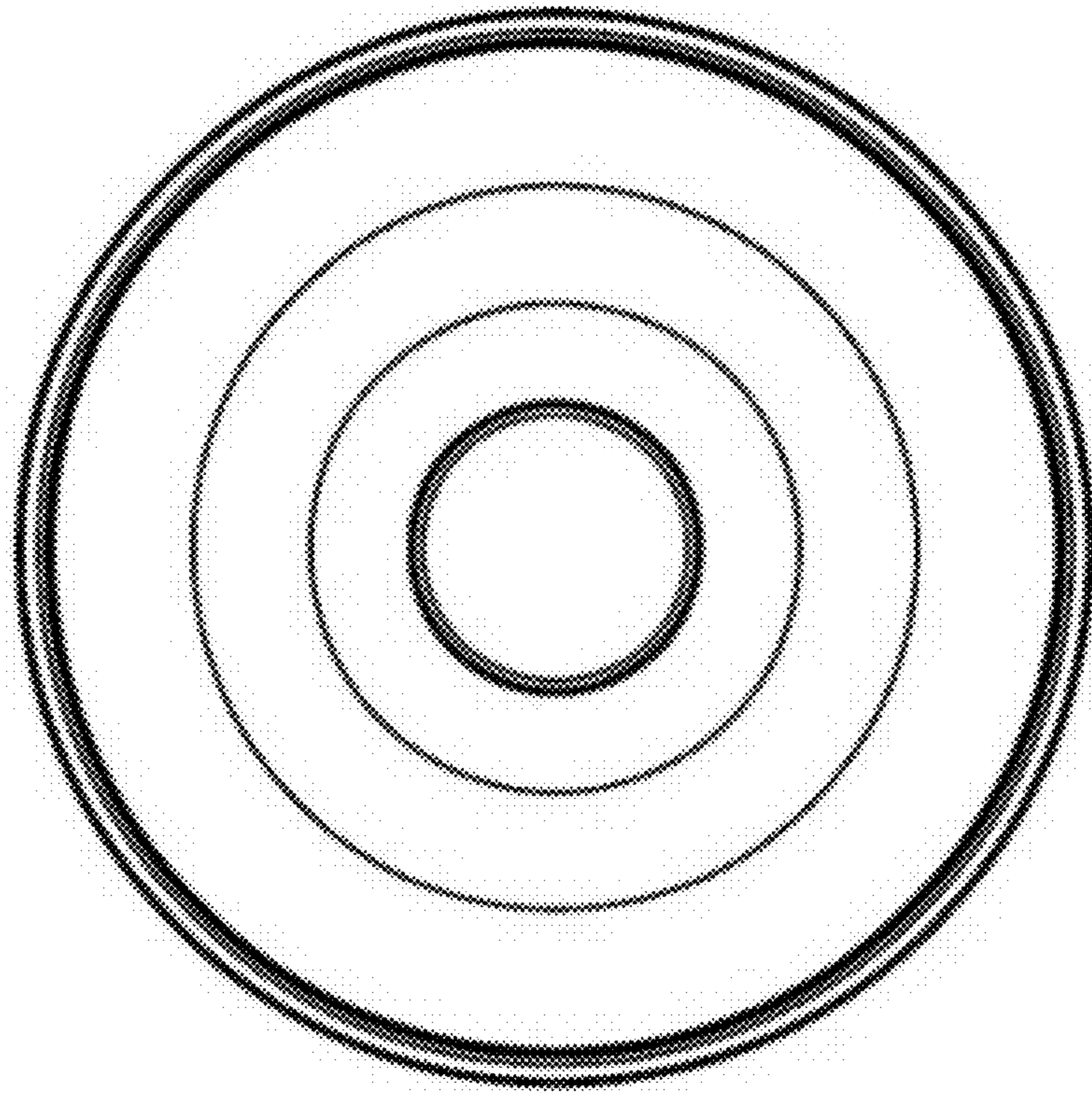


FIG. 5

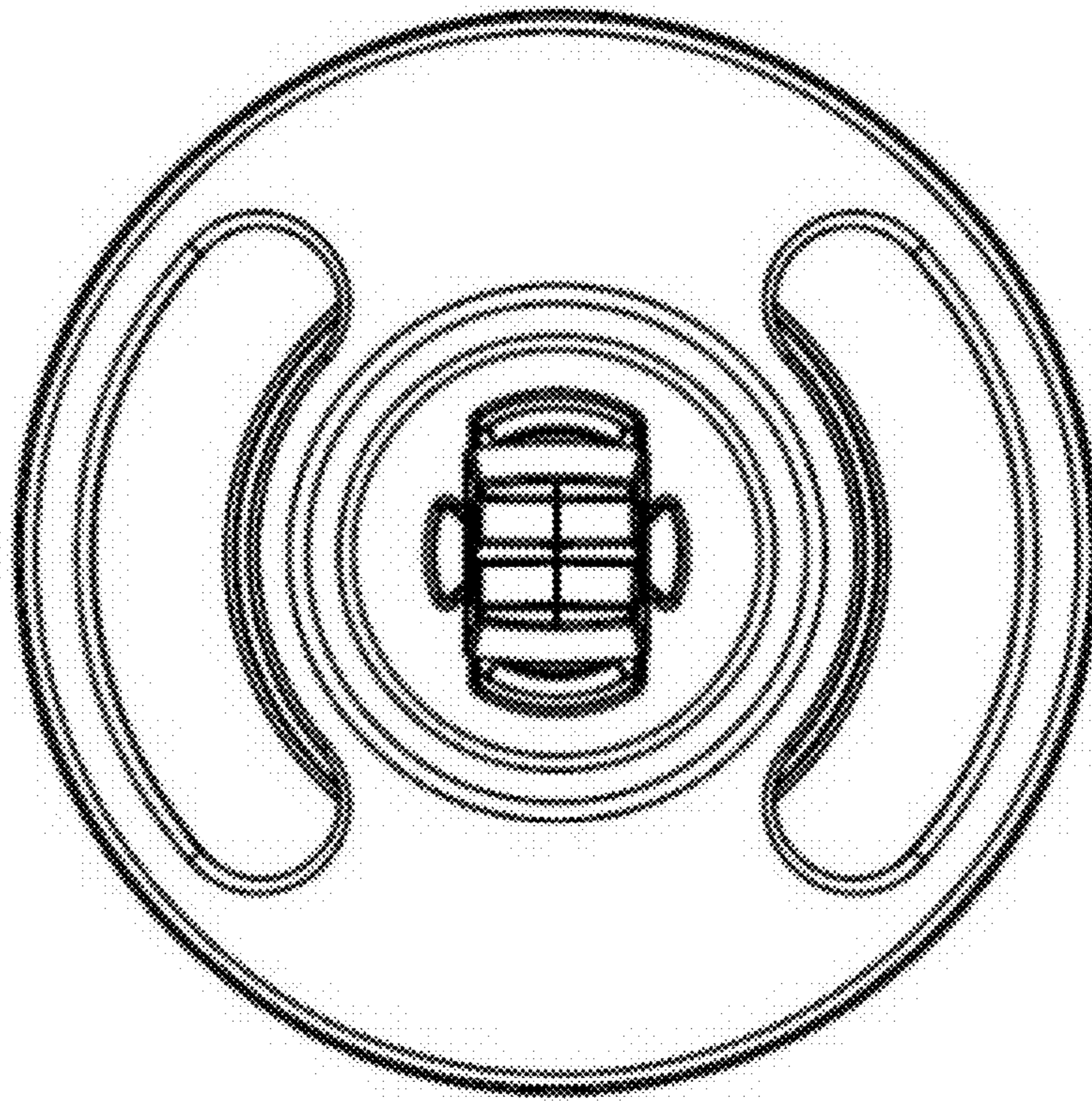


FIG. 6

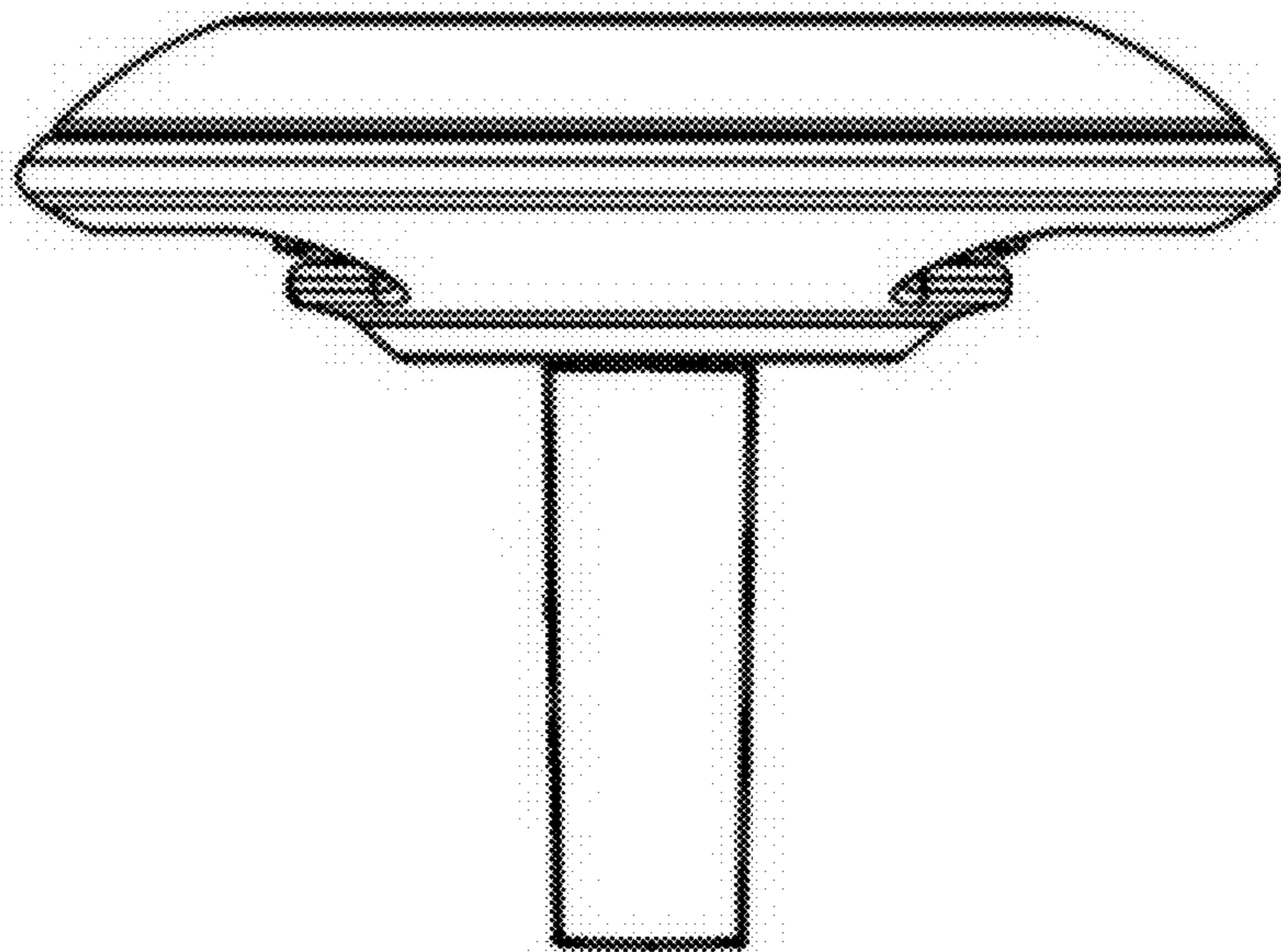


FIG. 7