



US00D850598S

(12) **United States Design Patent**  
**Gobber et al.**

(10) **Patent No.:** **US D850,598 S**  
(45) **Date of Patent:** **\*\* Jun. 4, 2019**

(54) **HANGING AIR FRESHENER WITH STACKED OVAL SHAPED PORTIONS**

- (71) Applicant: **ZOBELE HOLDING SPA**, Trento (IT)
- (72) Inventors: **Cedric Gobber**, Barcelona (ES);  
**Joaquim Llorente Alonso**, Barcelona (ES); **Asa Jonsson**, Trento (IT)
- (73) Assignee: **ZOBELE HOLDING SPA**, Trento (IT)
- (\*\*) Term: **15 Years**
- (21) Appl. No.: **29/664,677**
- (22) Filed: **Sep. 27, 2018**

**Related U.S. Application Data**

- (62) Division of application No. 35/502,795, filed on Oct. 11, 2016 (U.S. filing date under 35 U.S.C. 384), and having an international filing date of Oct. 11, 2016, now Pat. No. Des. 834,170.

**Foreign Application Priority Data**

- Apr. 14, 2016 (ES) ..... D0523090
- (51) **LOC (11) Cl.** ..... **23-99**
- (52) **U.S. Cl.**  
USPC ..... **D23/368**
- (58) **Field of Classification Search**  
USPC ..... D23/207, 208, 360, 364-369, 388;  
D22/119, 122  
CPC ..... A61L 9/00; A61L 9/02; A61L 9/03; A61L 9/034; A61L 9/04; A61L 9/12; A61L 9/032; A61L 9/122; A61L 9/127; A61L 9/22; B01D 46/00; B01D 46/0002; B01D 46/20; F02M 35/04; F24F 13/20; A62B 21/00

See application file for complete search history.

(56) **References Cited**

U.S. PATENT DOCUMENTS

D307,468 S	*	4/1990	Booth, Jr. ....	D23/366
D379,651 S		6/1997	Rondeau	
D476,726 S	*	7/2003	Rosenberg .....	D23/366
D492,021 S		6/2004	Basaganas Millan	
D569,301 S		5/2008	Fotherby	
D597,648 S		8/2009	Heflin, III	
D614,279 S		4/2010	Lesniak	
D657,040 S		4/2012	Young	
D661,836 S	*	6/2012	Montarras .....	D23/366
D665,153 S		8/2012	Suiter	
D676,950 S	*	2/2013	Angulo .....	D23/366
D698,103 S		1/2014	Muhr	

(Continued)

OTHER PUBLICATIONS

Zoble Group, "ZRS ProdUct Catalogue—Pesticide-Free Fly Trap", 2018, [http://www.zobeledesign.com/sites/default/files/ZRS%20PRODUCTCATALOGUE%202018-WEB\\_0.pdf](http://www.zobeledesign.com/sites/default/files/ZRS%20PRODUCTCATALOGUE%202018-WEB_0.pdf), 3p (Year: 2018).

*Primary Examiner* — Keli L Hill

(74) *Attorney, Agent, or Firm* — Ostrolenk Faber LLP

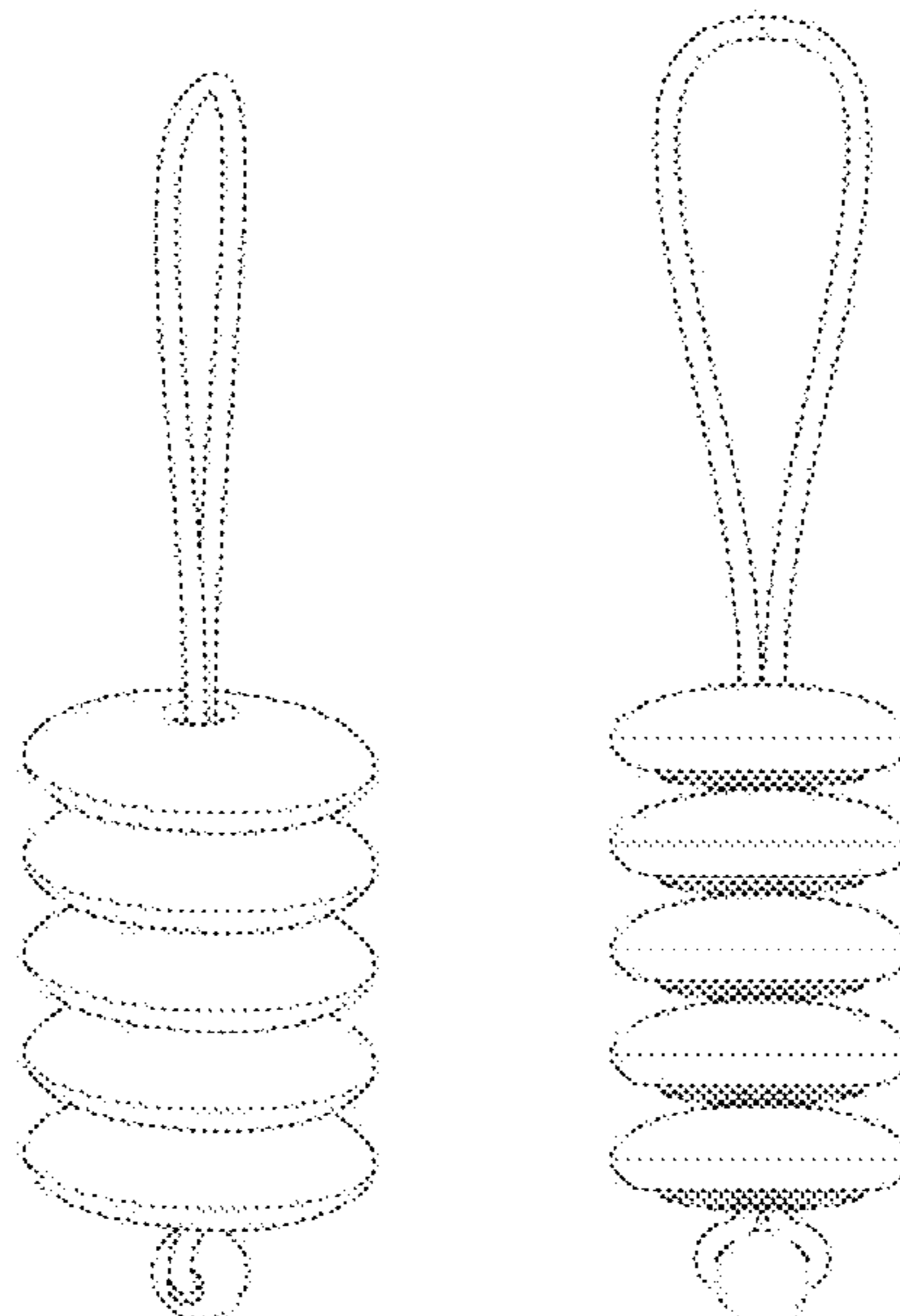
(57) **CLAIM**

The ornamental design for a hanging air freshener with stacked oval shaped portions, as shown and described.

**DESCRIPTION**

FIG. 1 is a front and right side perspective view illustration of a hanging air freshener with stacked oval shaped portions. FIG. 2 is a front view illustration thereof. FIG. 3 is a bottom view illustration thereof. FIG. 4 is a top view illustration thereof; and, FIG. 5 is a right side view illustration thereof. The left side view is a mirror image of the right side view. The rear view is a mirror image of the front view.

**1 Claim, 5 Drawing Sheets**



(56)

**References Cited**

U.S. PATENT DOCUMENTS

D761,408 S \* 7/2016 Kramer ..... D23/366  
D808,431 S \* 1/2018 Tseng ..... D15/5

\* cited by examiner

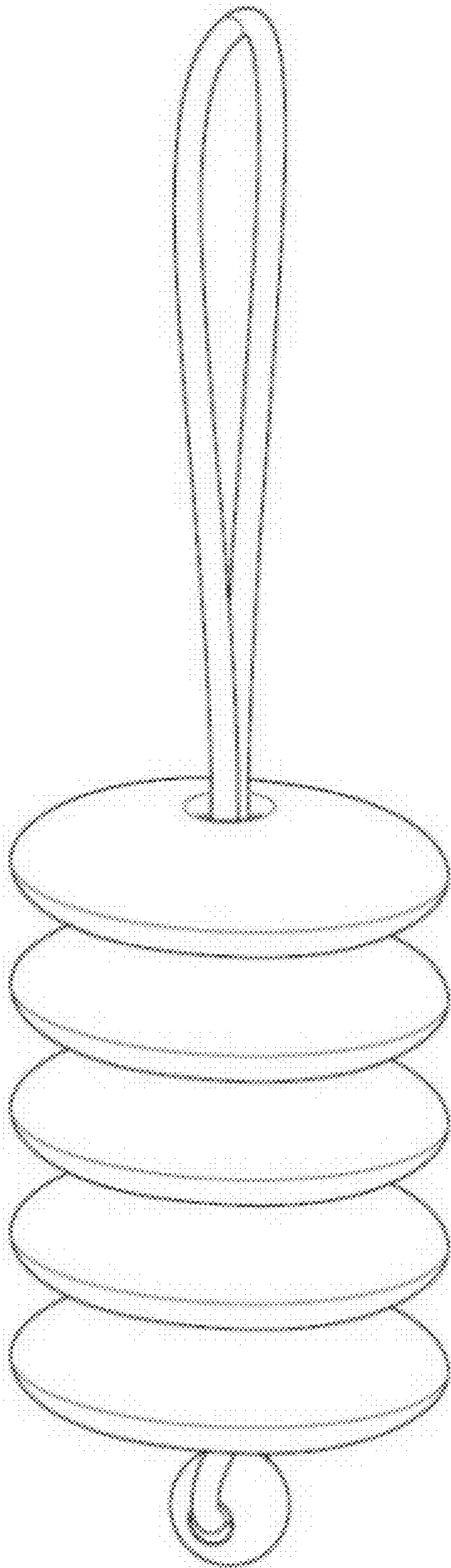


FIG. 1

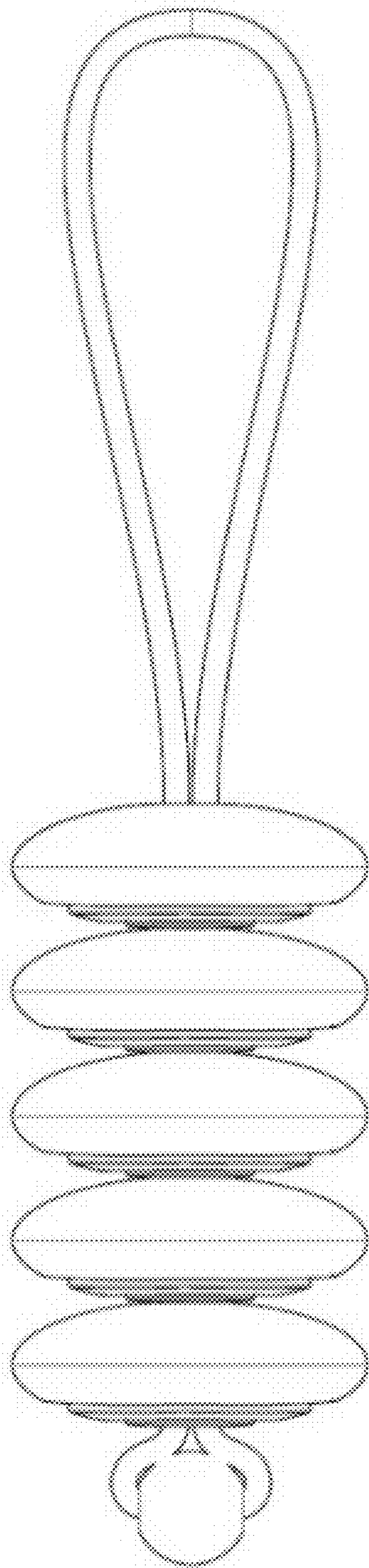


FIG. 2

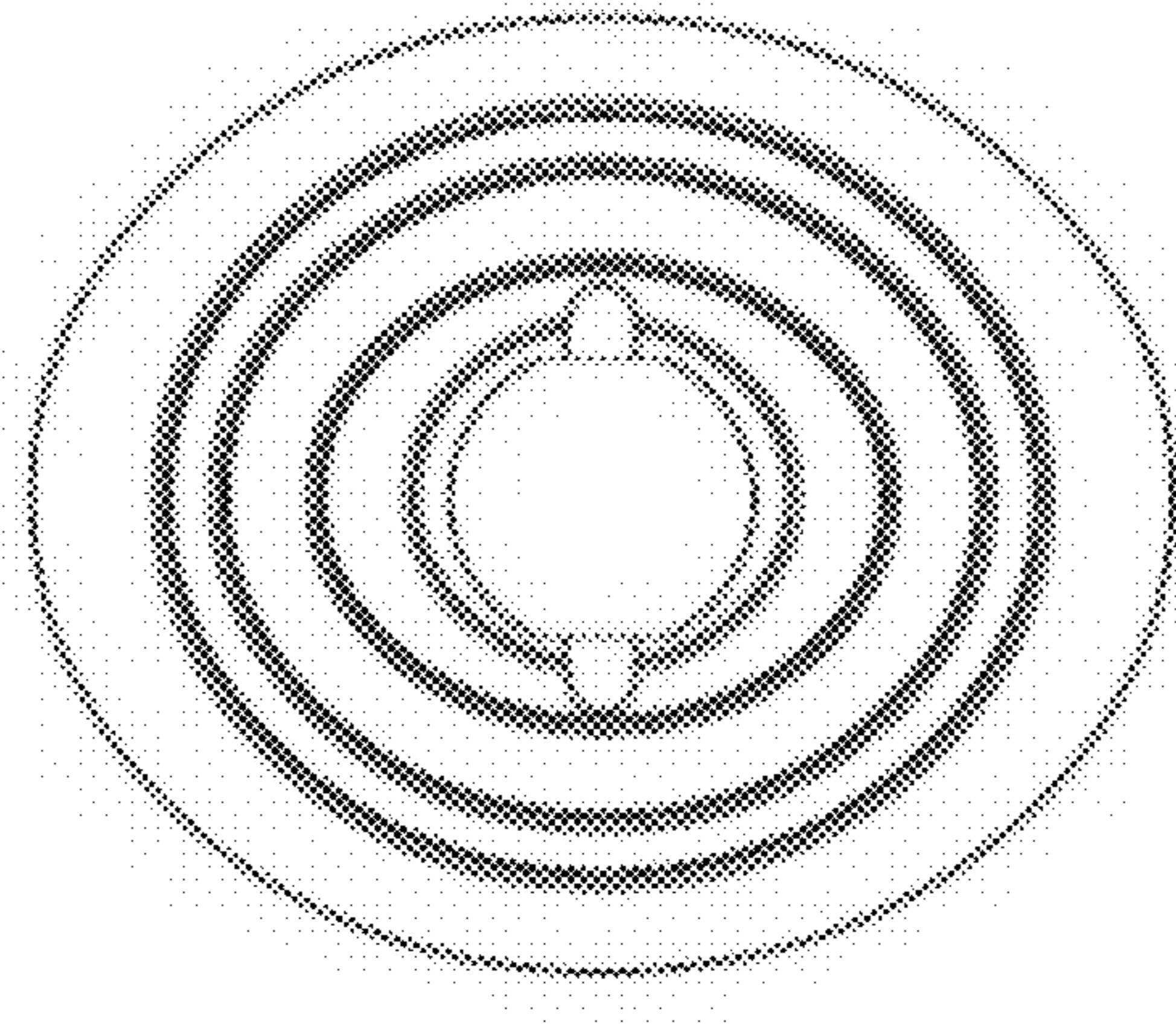


FIG. 3



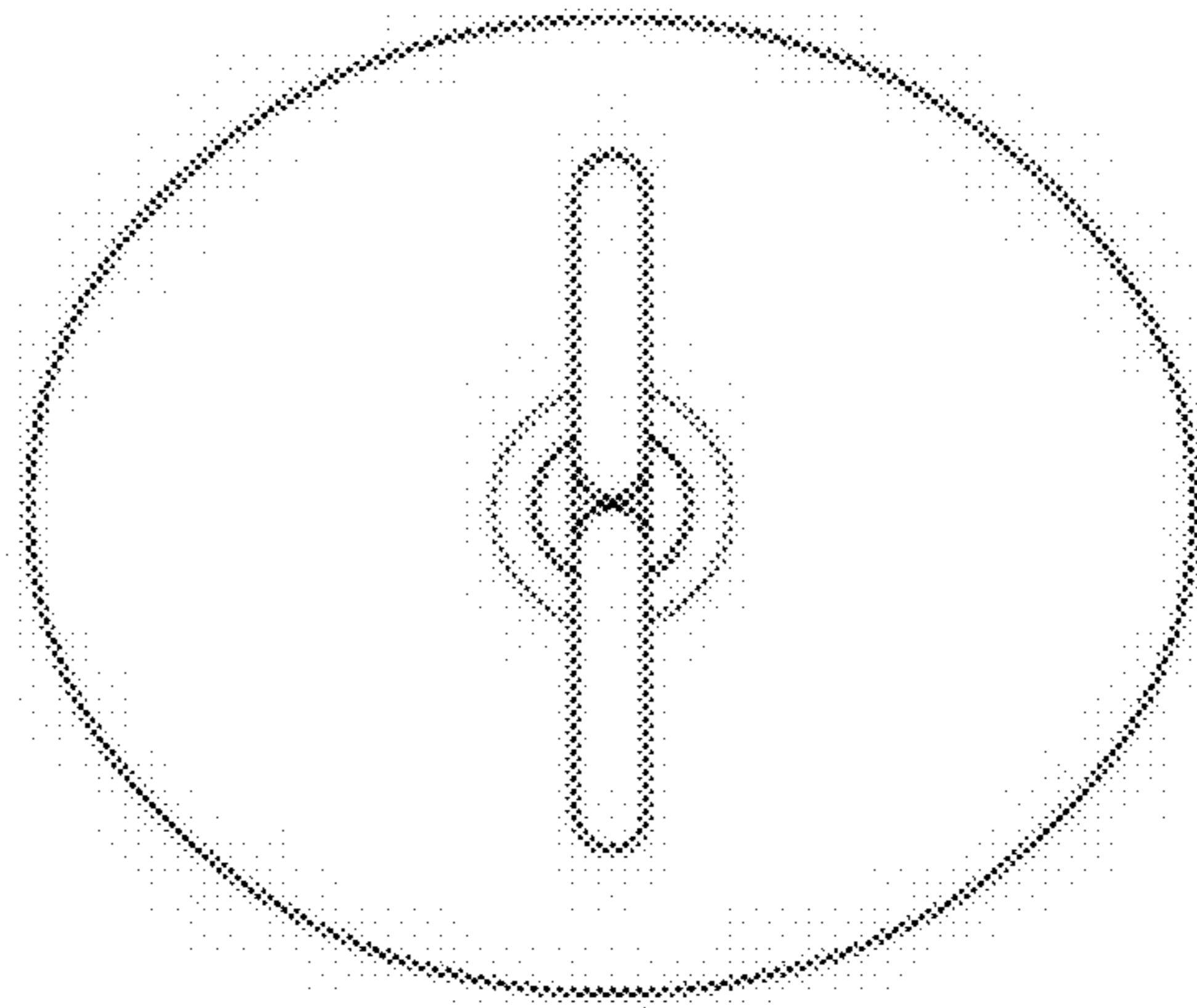


FIG. 4

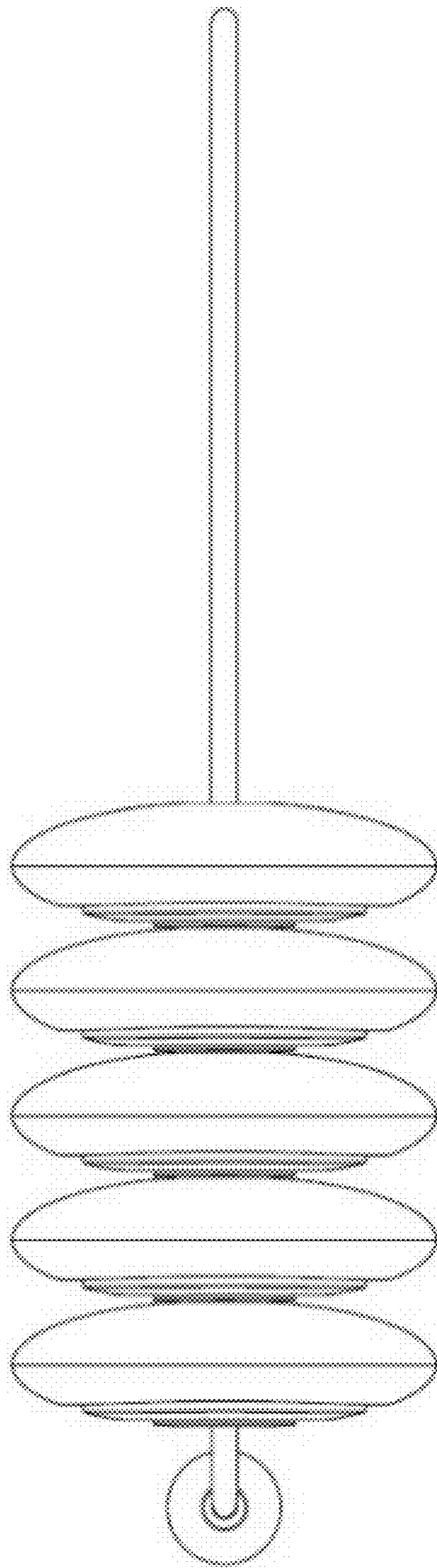


FIG. 5