

US00D850597S

(12) **United States Design Patent** (10) **Patent No.:** **US D850,597 S**  
**Gobber et al.** (45) **Date of Patent:** **\*\* Jun. 4, 2019**

(54) **AIR FRESHENER WITH CURVED CLIP**  
(71) Applicant: **ZOBELE HOLDING SPA**, Trento (IT)  
(72) Inventors: **Cedric Gobber**, Barcelona (ES);  
**Joaquim Llorente Alonso**, Barcelona  
(ES); **Åsa Jonsson**, Trento (IT)  
(73) Assignee: **ZOBELE HOLDING SPA**, Trento (IT)  
(\*\*) Term: **15 Years**  
(21) Appl. No.: **29/664,673**  
(22) Filed: **Sep. 27, 2018**

(56) **References Cited**  
U.S. PATENT DOCUMENTS  
D379,651 S 6/1997 Rondeau  
D492,021 S 6/2004 Basaganas Milian  
D553,233 S \* 10/2007 Hatch ..... D23/366  
D565,164 S \* 3/2008 Duston ..... D23/36  
D565,715 S \* 4/2008 Wu ..... D23/366  
D569,301 S 5/2008 Fotherby  
D585,129 S \* 1/2009 Huang ..... D23/366  
D597,648 S 8/2009 Heflin, III  
D610,666 S \* 2/2010 Furner ..... D23/366  
D614,279 S 4/2010 Lesniak  
D629,881 S \* 12/2010 Valentino ..... D23/368  
D657,040 S 4/2012 Young  
D665,153 S 8/2012 Suiter  
(Continued)

**Related U.S. Application Data**

(62) Division of application No. 35/502,795, filed on Oct. 11, 2016 (U.S. filing date under 35 U.S.C. 384), and having an international filing date of Oct. 11, 2016, now Pat. No. Des. 834,170.

**Foreign Application Priority Data**

Apr. 14, 2016 (ES) ..... D0523090  
(51) **LOC (11) Cl.** ..... **23-99**  
(52) **U.S. Cl.**  
USPC ..... **D23/368**  
(58) **Field of Classification Search**  
USPC ..... D23/207, 208, 360, 364-369, 388;  
D22/119, 122  
CPC ..... A61L 9/00; A61L 9/02; A61L 9/03; A61L  
9/034; A61L 9/04; A61L 9/12; A61L  
9/032; A61L 9/122; A61L 9/127; A61L  
9/22; B01D 46/00; B01D 46/0002; B01D  
46/20; F02M 35/04; F24F 13/20; A62B  
21/00

See application file for complete search history.

**OTHER PUBLICATIONS**

Zoble Group, "ZRS Product Catalogue—Pesticide-Free Fly Trap", 2018, [http://www.zobeled.com/sites/default/files/ZRS%20PRODUCTCATALOGUE%202018-WEB\\_0.pdf](http://www.zobeled.com/sites/default/files/ZRS%20PRODUCTCATALOGUE%202018-WEB_0.pdf), 3p (Year: 2018).

*Primary Examiner* — Keli L Hill  
(74) *Attorney, Agent, or Firm* — Ostrolenk Faber LLP

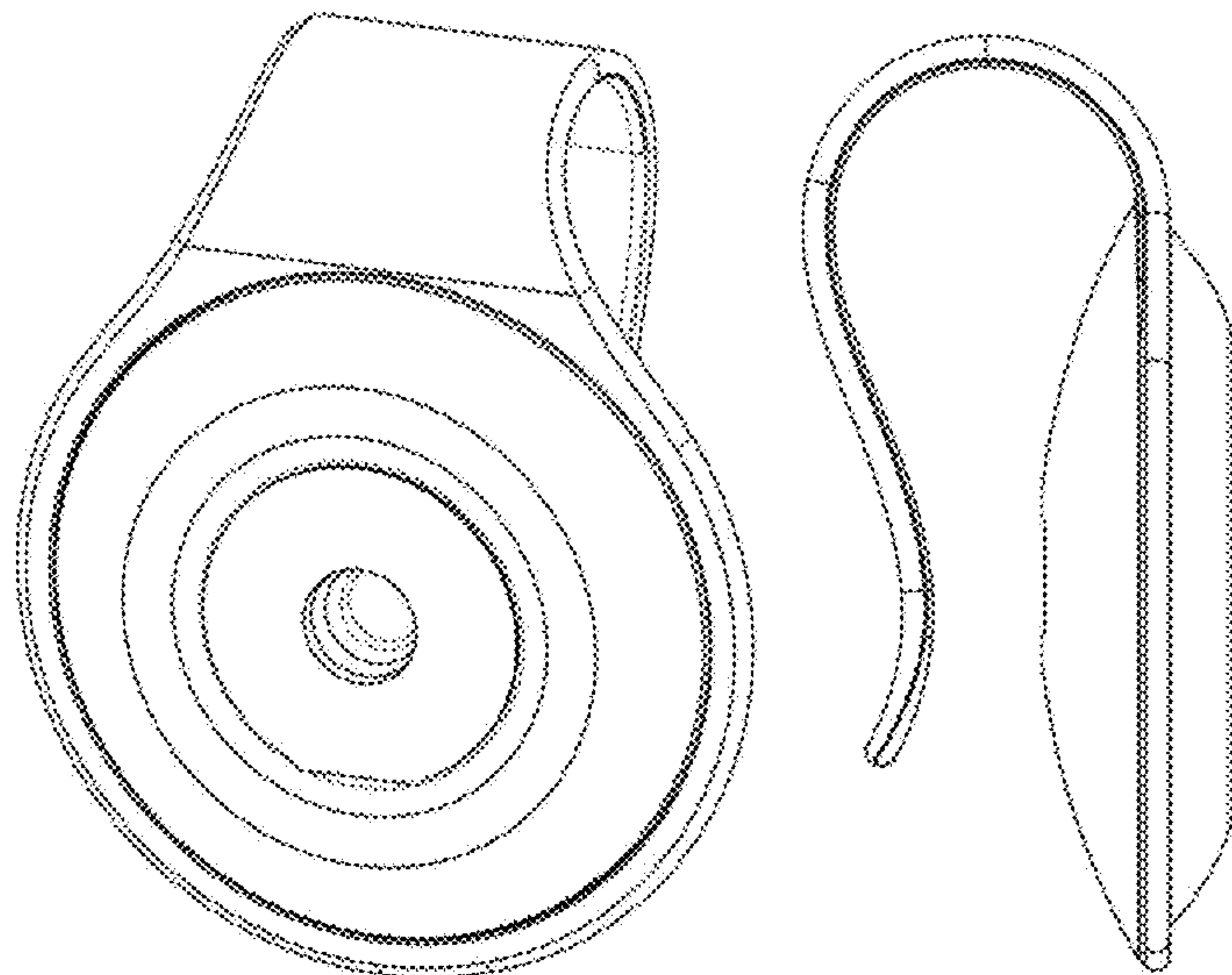
**CLAIM**

(57) The ornamental design for an air freshener with curved clip, as shown and described.

**DESCRIPTION**

FIG. 1 is a left side view illustration of a circular air freshener having a curved clip originating from a top surface.  
FIG. 2 is a top view illustration thereof.  
FIG. 3 is a front and left side perspective illustration thereof.  
FIG. 4 is a right side view illustration thereof.  
FIG. 5 is a front view illustration thereof.  
FIG. 6 is a rear view illustration thereof; and,  
FIG. 7 is a bottom view illustration thereof.

**1 Claim, 7 Drawing Sheets**



(56)

**References Cited**

U.S. PATENT DOCUMENTS

|              |         |              |         |
|--------------|---------|--------------|---------|
| D698,103 S   | 1/2014  | Muhr         |         |
| D751,683 S * | 3/2016  | Furner ..... | D23/368 |
| D761,408 S * | 7/2016  | Kramer ..... | D23/366 |
| D803,377 S * | 11/2017 | Gobber ..... | D23/366 |

\* cited by examiner

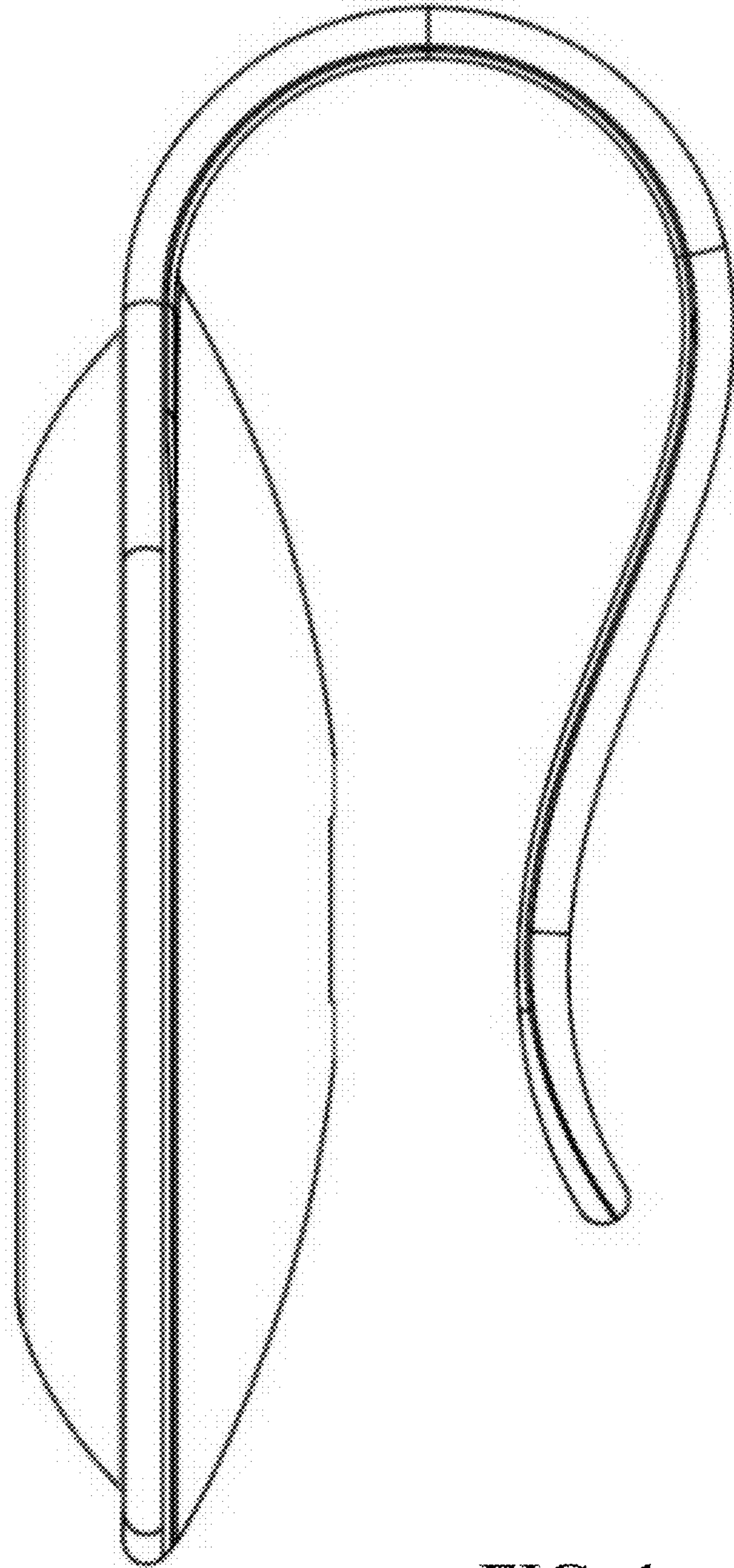


FIG. 1

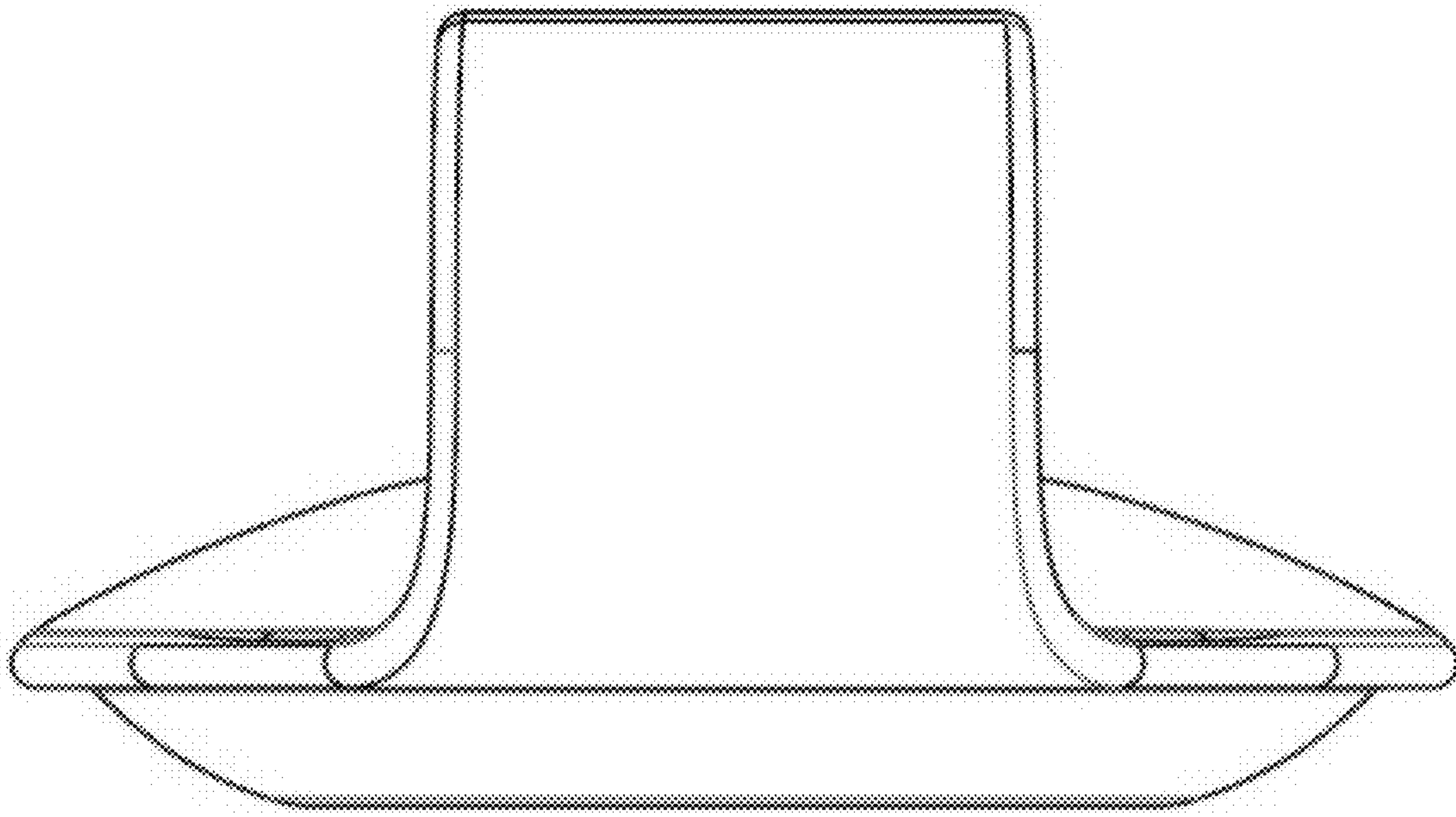


FIG. 2



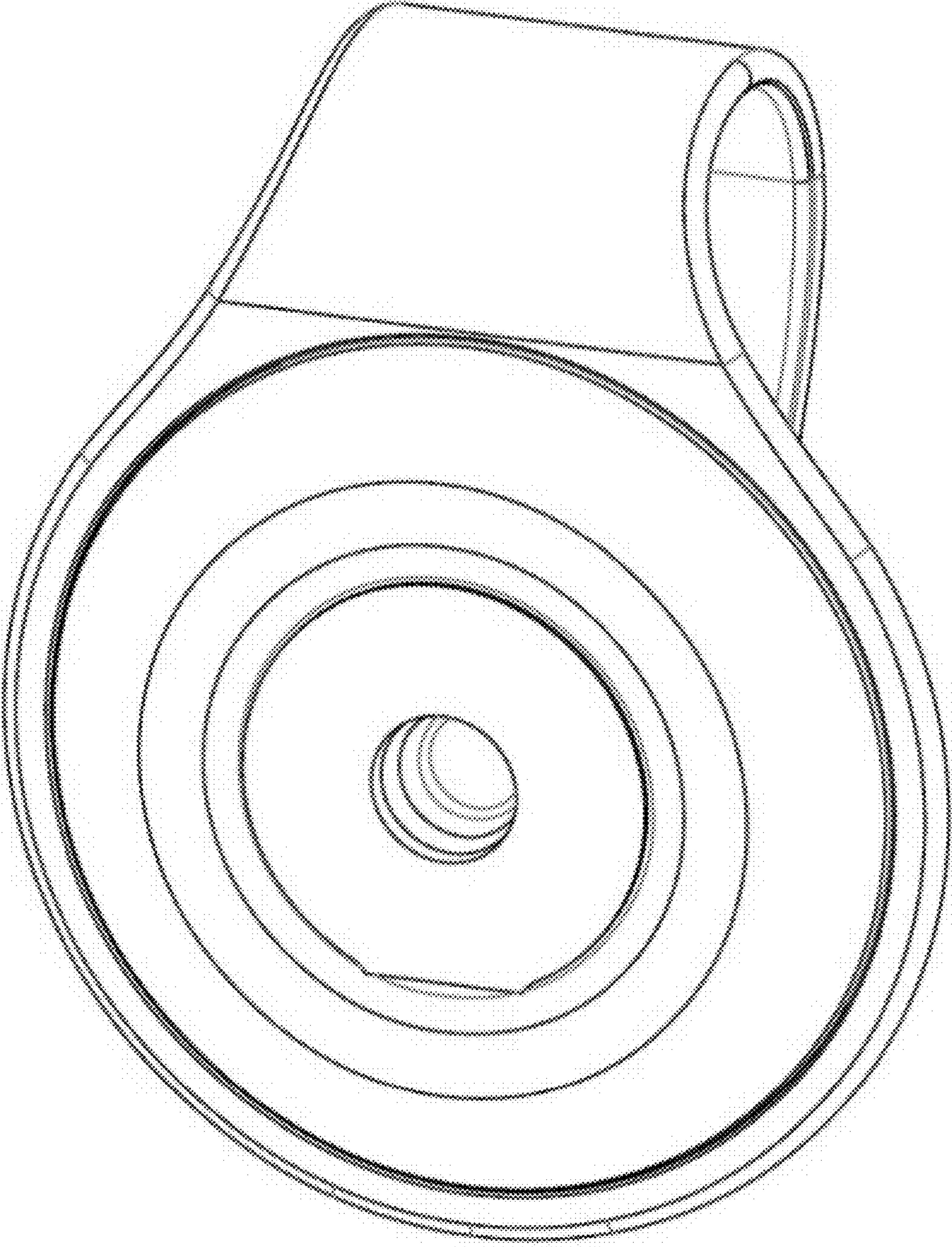


FIG. 3

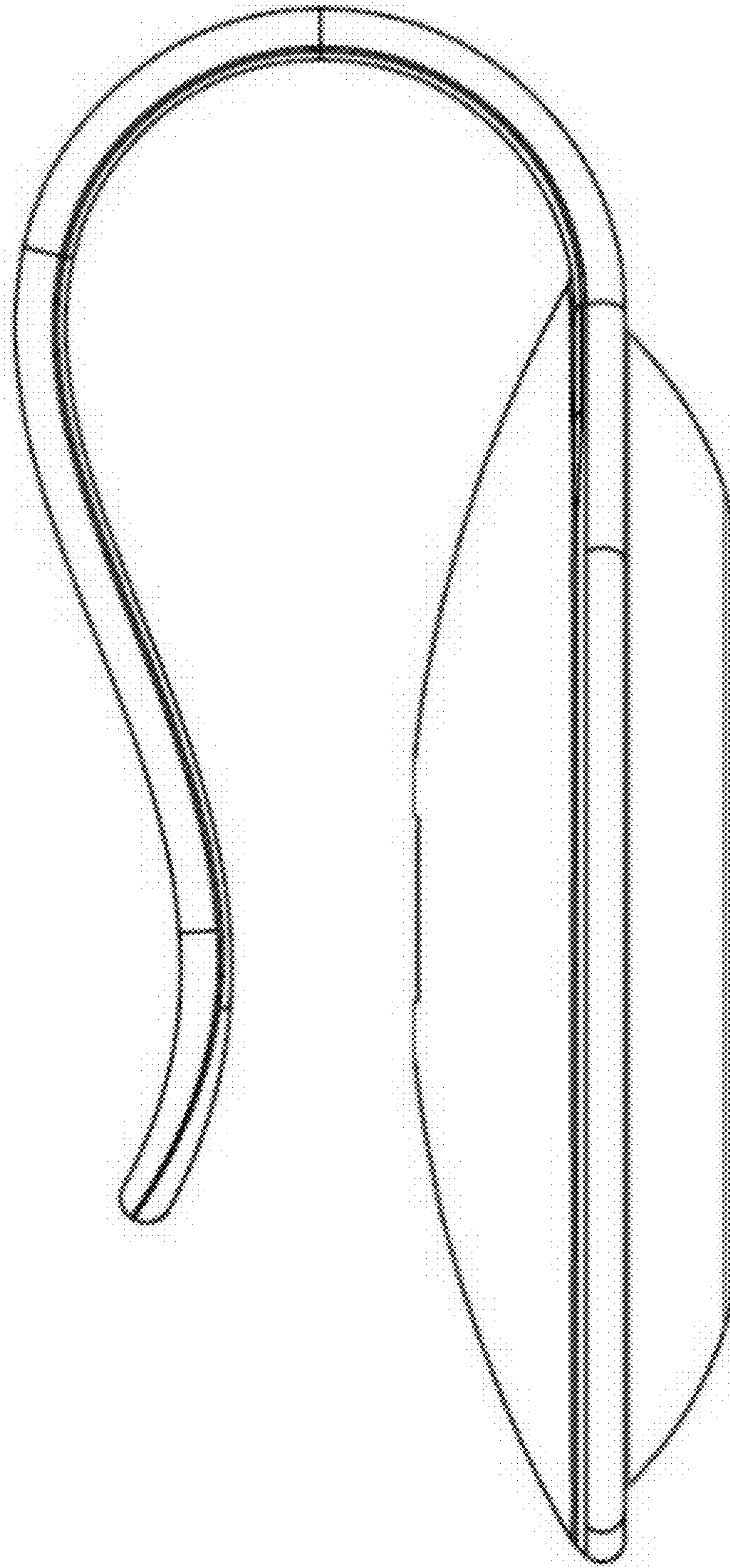


FIG. 4



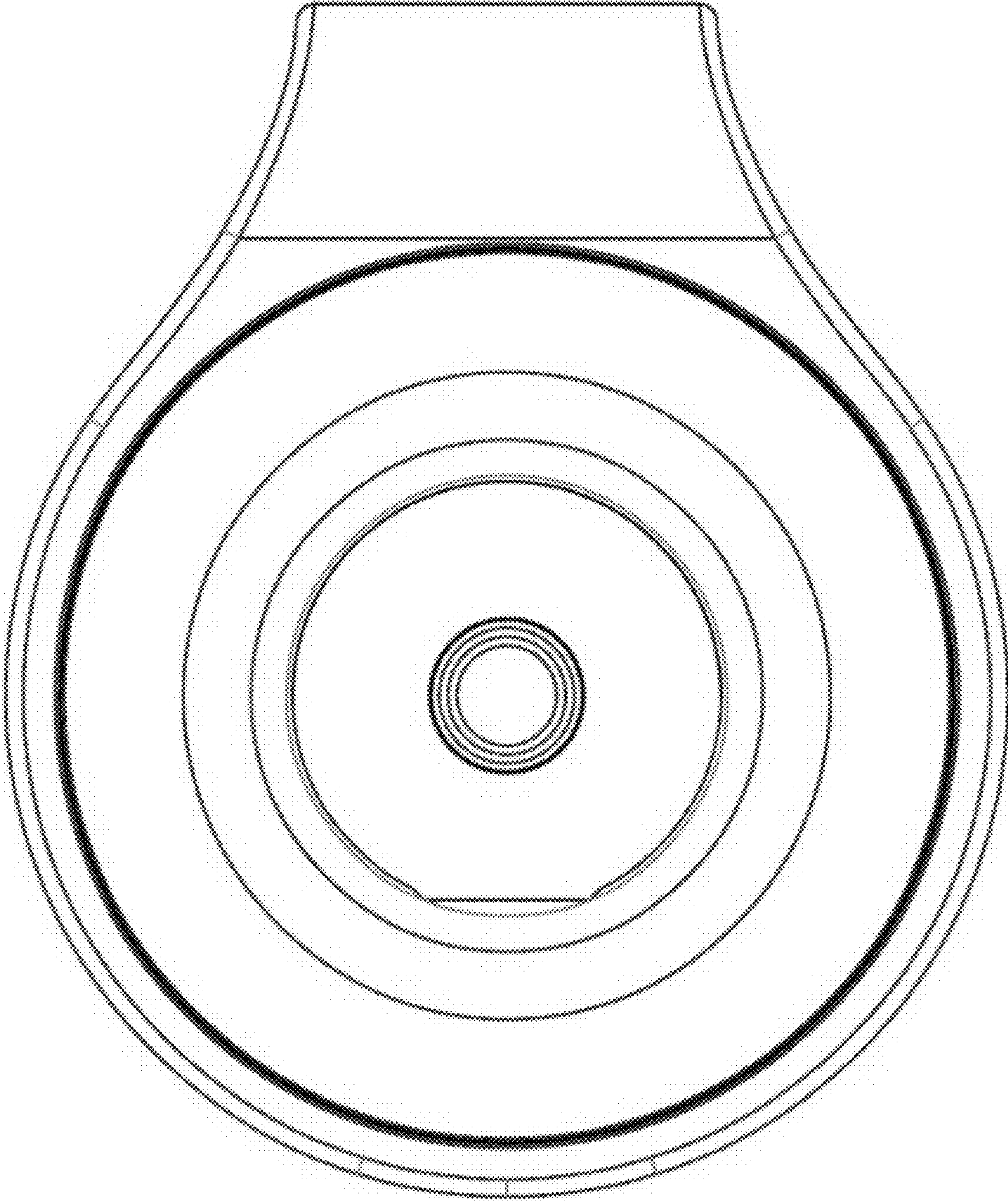


FIG. 5

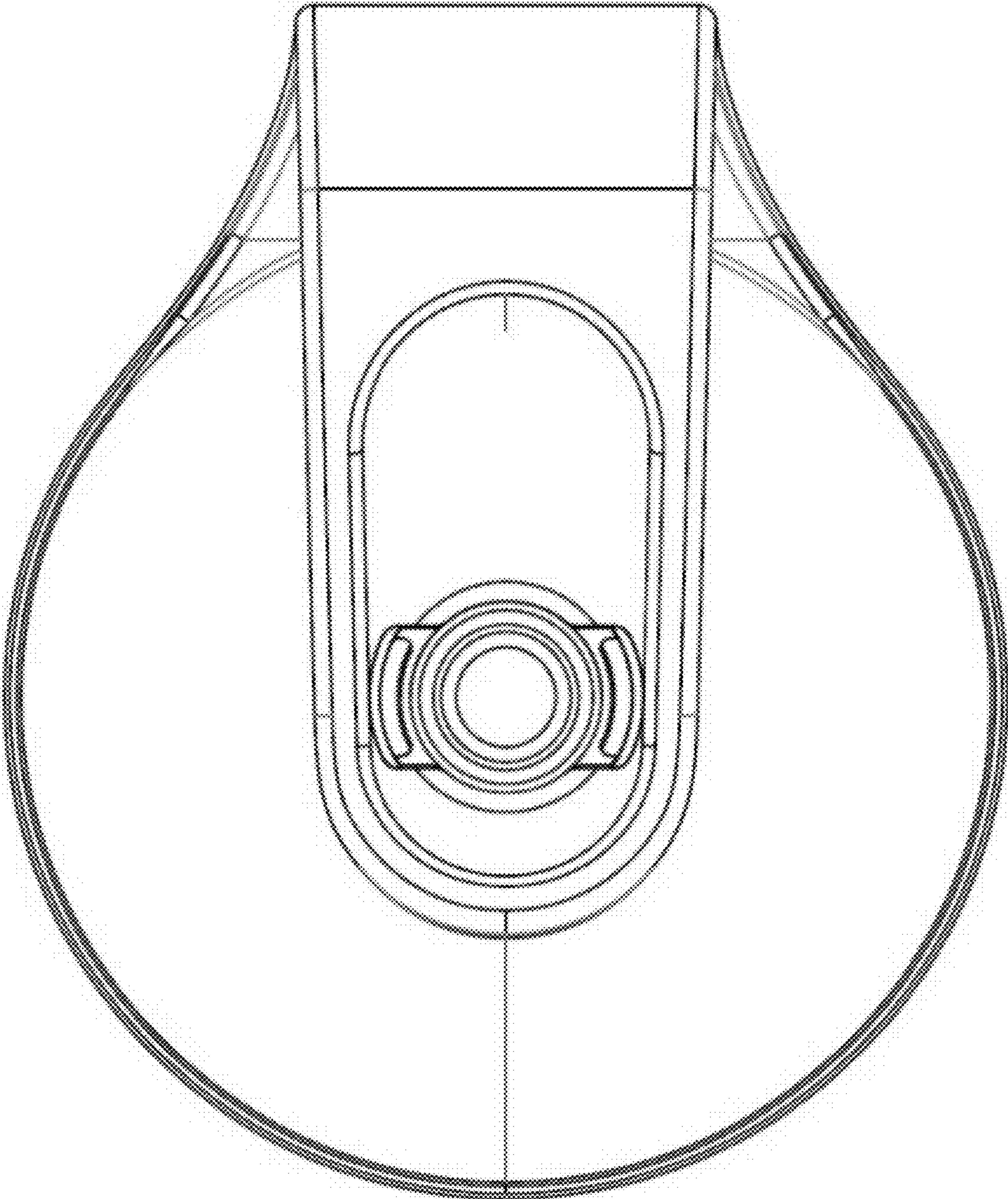


FIG. 6



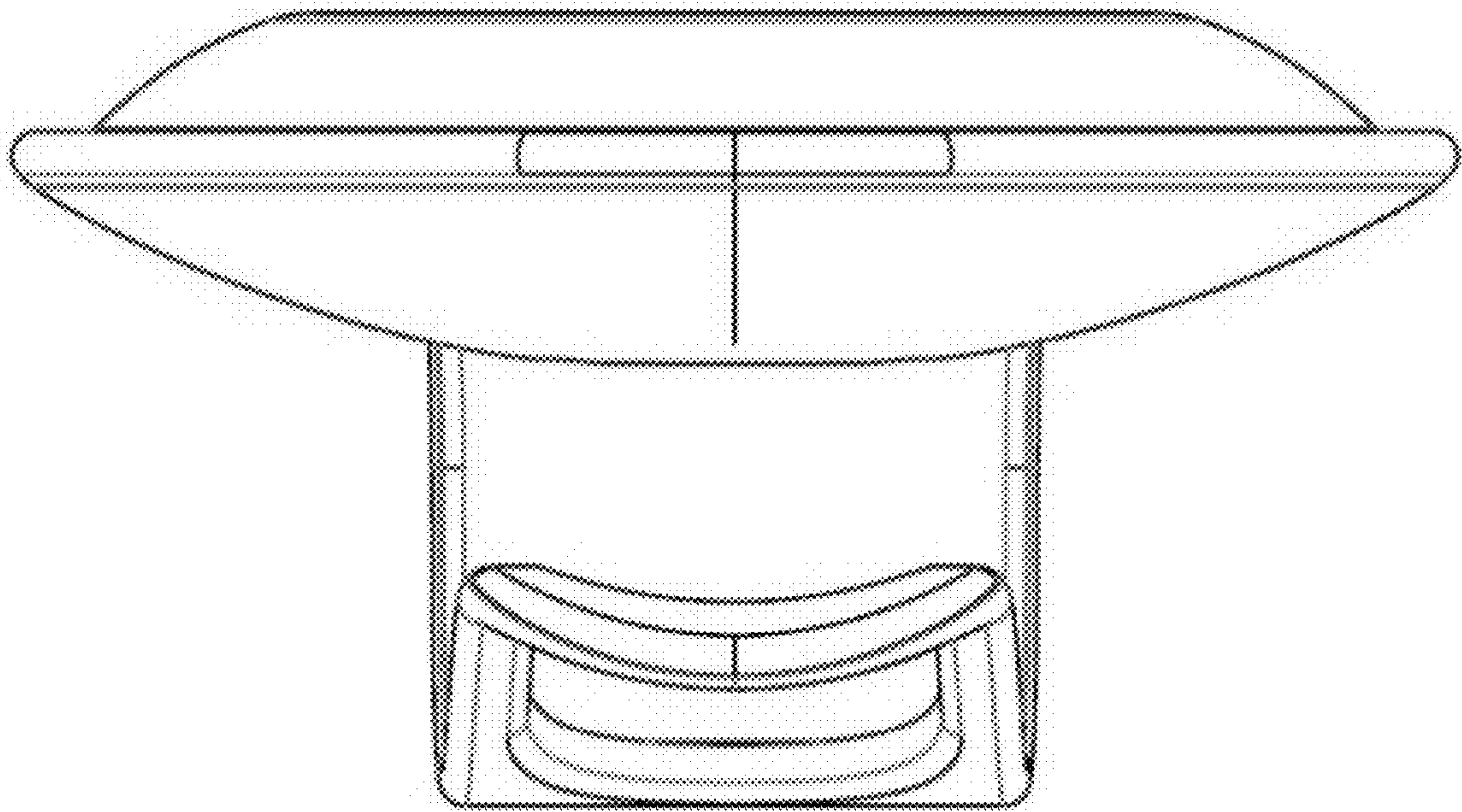


FIG. 7