



US00D850589S

(12) **United States Design Patent** (10) **Patent No.:** **US D850,589 S**
Abernethy, Jr. (45) **Date of Patent:** **** Jun. 4, 2019**

(54) **INSULATED BLOCK**
(71) Applicant: **Claremont Products, LLC**, Claremont, NC (US)
(72) Inventor: **Joseph M. Abernethy, Jr.**, Claremont, NC (US)
(73) Assignee: **CLAREMONT PRODUCTS, LLC**, Claremont, NC (US)
(**) Term: **15 Years**

(21) Appl. No.: **29/619,942**
(22) Filed: **Oct. 3, 2017**

Related U.S. Application Data

(63) Continuation of application No. 14/666,379, filed on Mar. 24, 2015, now Pat. No. 10,100,948.
(51) **LOC (11) Cl.** **23-01**
(52) **U.S. Cl.**
USPC **D23/269**
(58) **Field of Classification Search**
USPC D23/259, 261, 262, 269; 285/901, 285/42-50; 417/454; 277/351-359, 277/361-364, 382, 392, 394-395, 504, 277/553, 549, 562-563, 572, 641-644, 277/602-603, 605-607, 609, 616-617, 277/623, 650-652, 314-316; 206/523; 137/375, 377, 341; D9/456; D21/470-471, 479, 484, 493, 499-502
CPC . E03C 1/30; E03C 1/222; E03C 1/286; F04B 53/16; F04B 53/143; F16J 15/3268; F16J 15/106; E04D 13/1406; E04D 13/1407; F16L 5/02; F16L 5/10; F16K 3/0227; F16K 35/00; F16K 51/02; F16K 49/00; E03B 7/12
See application file for complete search history.

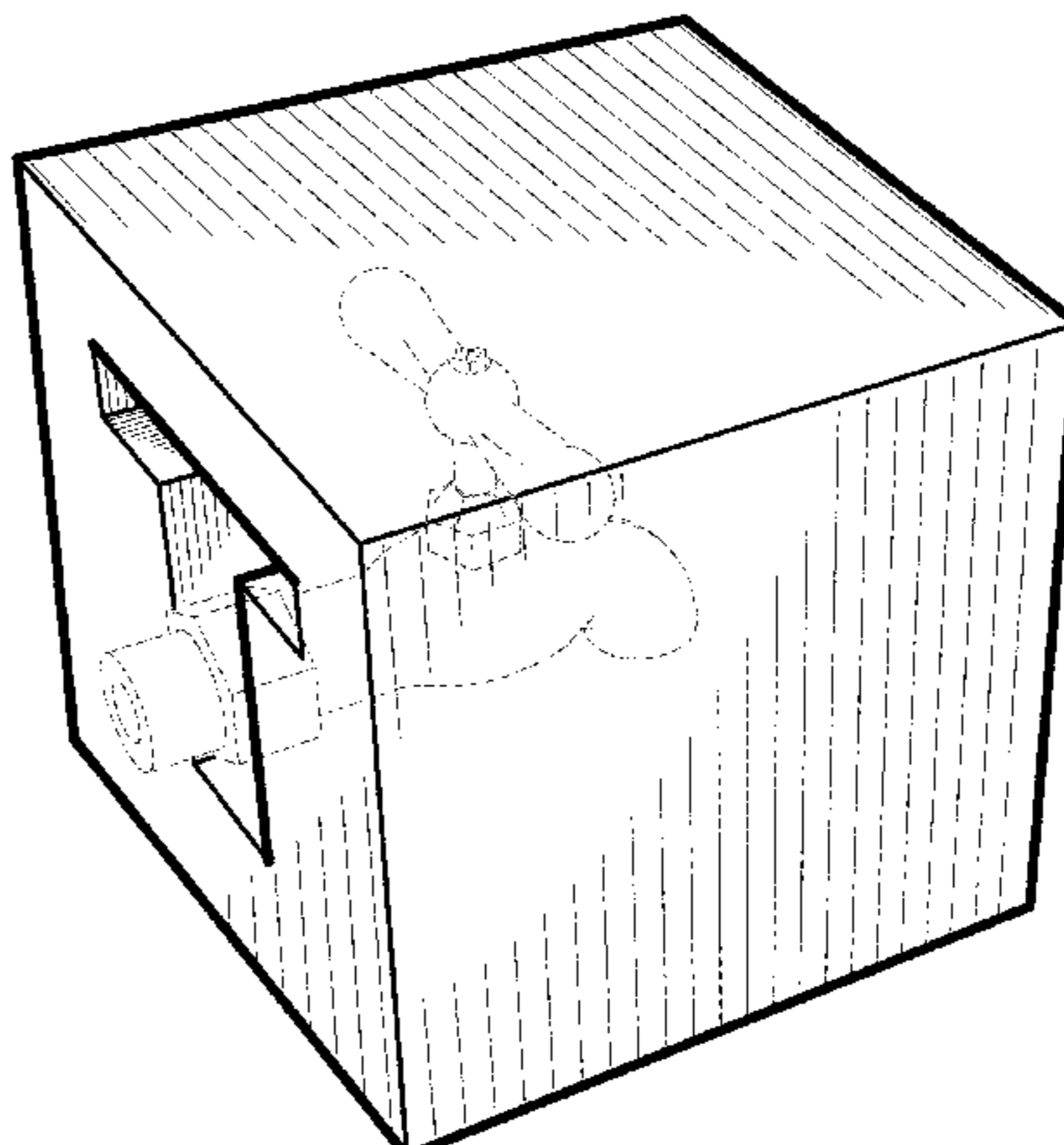
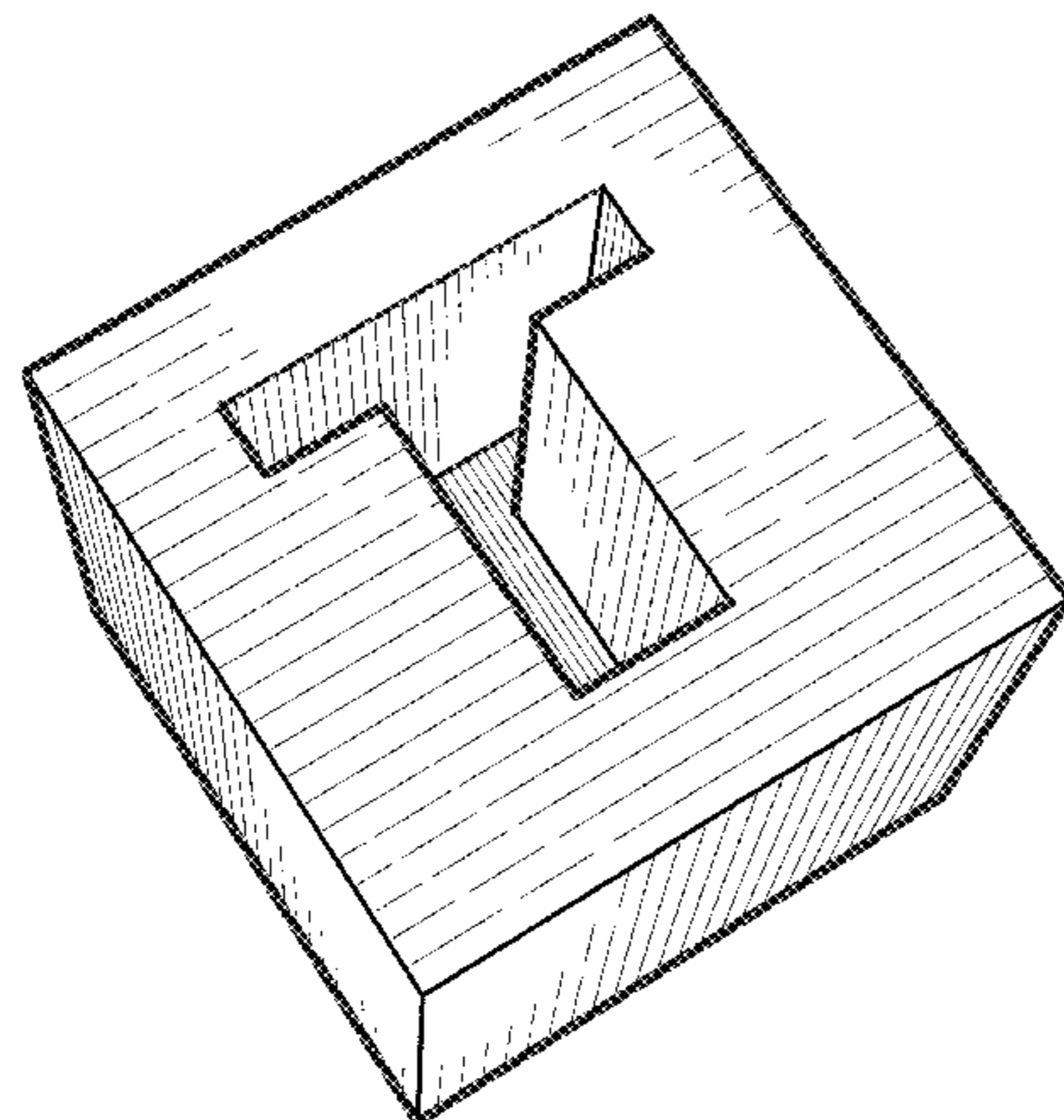
(56) **References Cited**
U.S. PATENT DOCUMENTS
2,686,530 A * 8/1954 Dire F16K 27/12 137/375
3,435,946 A 4/1969 Sobek et al.
3,556,158 A 1/1971 Schneider
3,858,632 A 1/1975 Stout
4,071,043 A 1/1978 Carlson
4,246,211 A 1/1981 Kuhnel
4,353,139 A 10/1982 Wainwright et al.
4,577,655 A 3/1986 Carroll
D305,741 S * 1/1990 Goodrich D10/103
(Continued)

OTHER PUBLICATIONS
Ploar Tech Industries, Catalogue pp. 21, 33 & 69 Copyright 2011, [Visited Online Feb. 15, 2019], <http://www.polar-tech.com/PDFs/Science-catalog.pdf>.
(Continued)

Primary Examiner — Eric L Goodman
Assistant Examiner — Amy C Wierenga
(74) *Attorney, Agent, or Firm* — Shumaker, Loop & Kendrick, LLP

(57) **CLAIM**
I claim the ornamental design for an insulated block, as shown and described.

DESCRIPTION
FIG. 1 is a perspective view.
FIG. 2 is a top view.
FIG. 3 is a front view.
FIG. 4 is a bottom view.
FIG. 5 is a right view.
FIG. 6 is a back view.
FIG. 7 is left view; and,
FIG. 8 is a perspective environmental view.
(Continued)



The broken lines shown in FIG. 8 depict environment only that form no part of the claim.

1 Claim, 4 Drawing Sheets

(56)

References Cited

U.S. PATENT DOCUMENTS

5,080,950	A	1/1992	Burke	
5,148,920	A	9/1992	Walker	
D346,432	S *	4/1994	Van Meter D23/249
5,560,618	A *	10/1996	Wambeke F16L 5/02 156/291
5,589,519	A	12/1996	Knaus	
5,614,119	A	3/1997	Ollis	
5,777,274	A *	7/1998	Kawase B60R 16/0222 16/2.1
5,878,776	A	3/1999	Love	
6,464,229	B1 *	10/2002	Kogler F16L 5/02 138/108

D652,708	S	1/2012	Figureida	
8,511,335	B2	8/2013	Murphy	
8,733,051	B2 *	5/2014	Griffith E04C 1/39 277/316
D752,184	S *	3/2016	Eaton D23/249
9,469,976	B1 *	10/2016	Banks E03B 7/12
10,100,948	B2 *	10/2018	Abernethy, Jr. F16K 35/10
2002/0027325	A1 *	3/2002	Kogler F16L 5/10 277/315
2007/0216110	A1 *	9/2007	Stuckmann H02G 3/088 277/607
2008/0093251	A1 *	4/2008	Meyer B65D 81/022 206/523
2015/0267832	A1 *	9/2015	Abernethy, Jr. F16K 49/00 137/375

OTHER PUBLICATIONS

Calremont Products, Faucet Block Demonstration Video, YouTube 0:31/0:58, Published Oct. 16, 2015, [Visited Online Feb. 15, 2019] <https://www.youtube.com/watch?v=HMjyPgX6YYs>.*

* cited by examiner

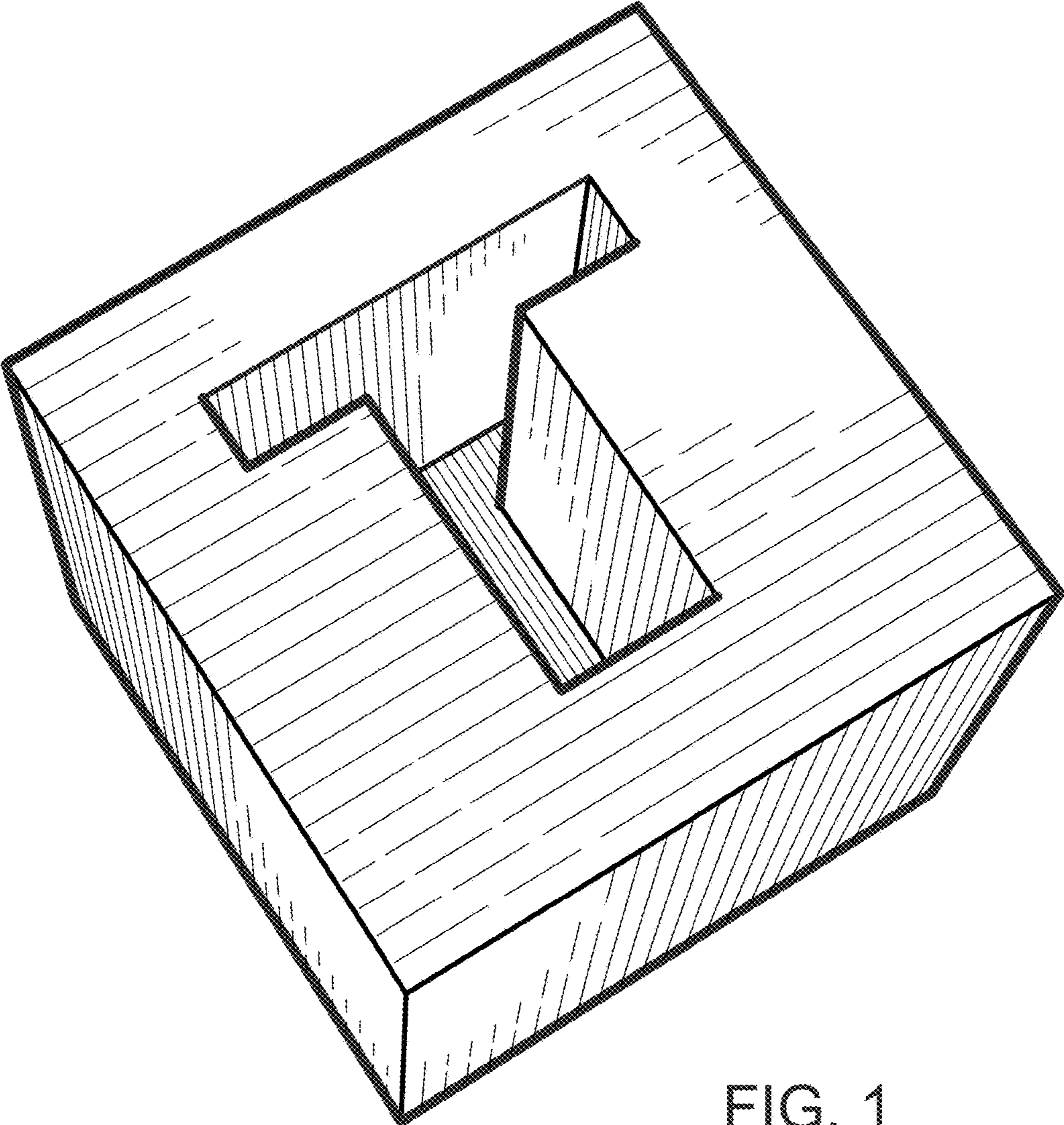


FIG. 1

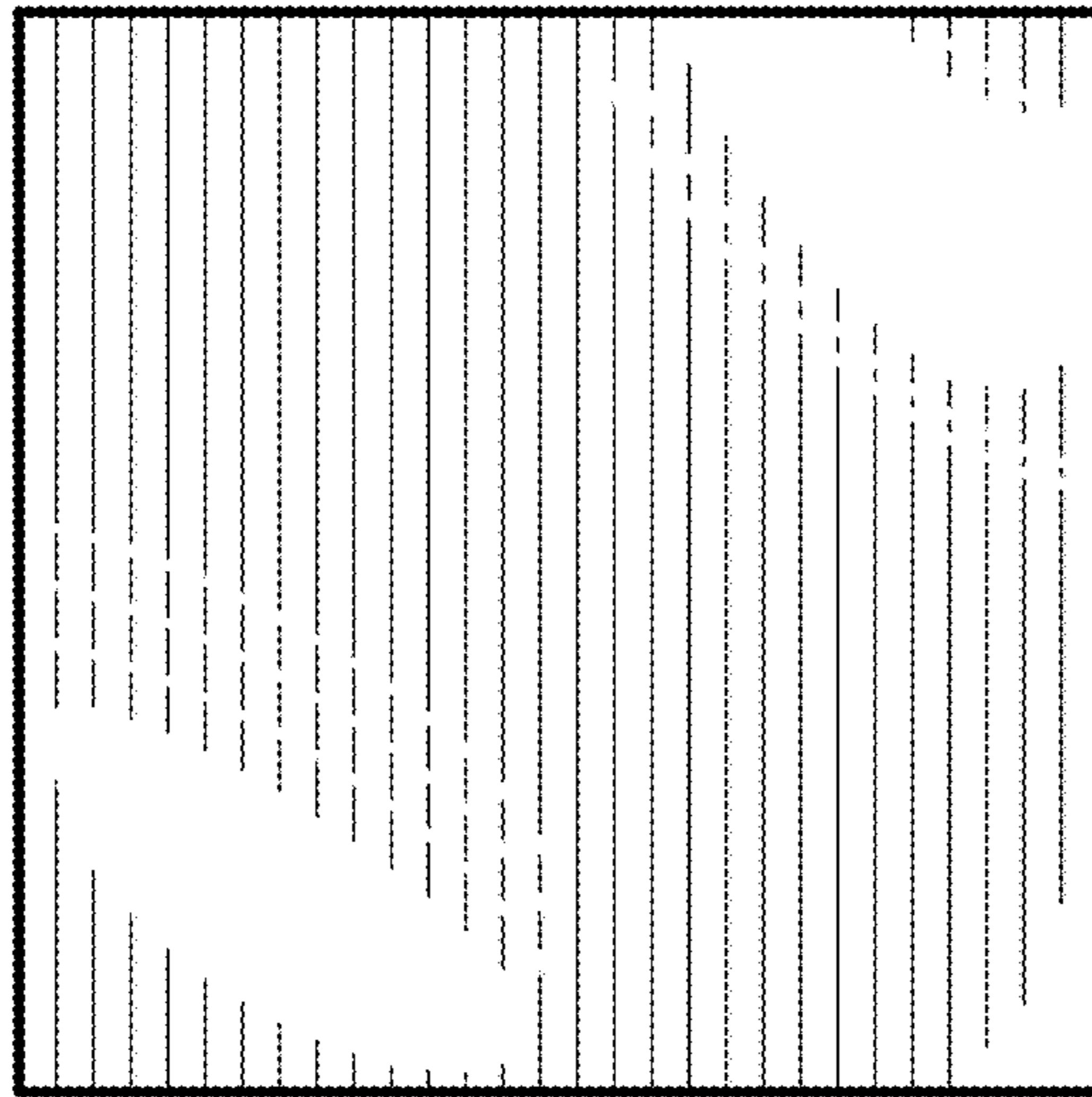


FIG. 2

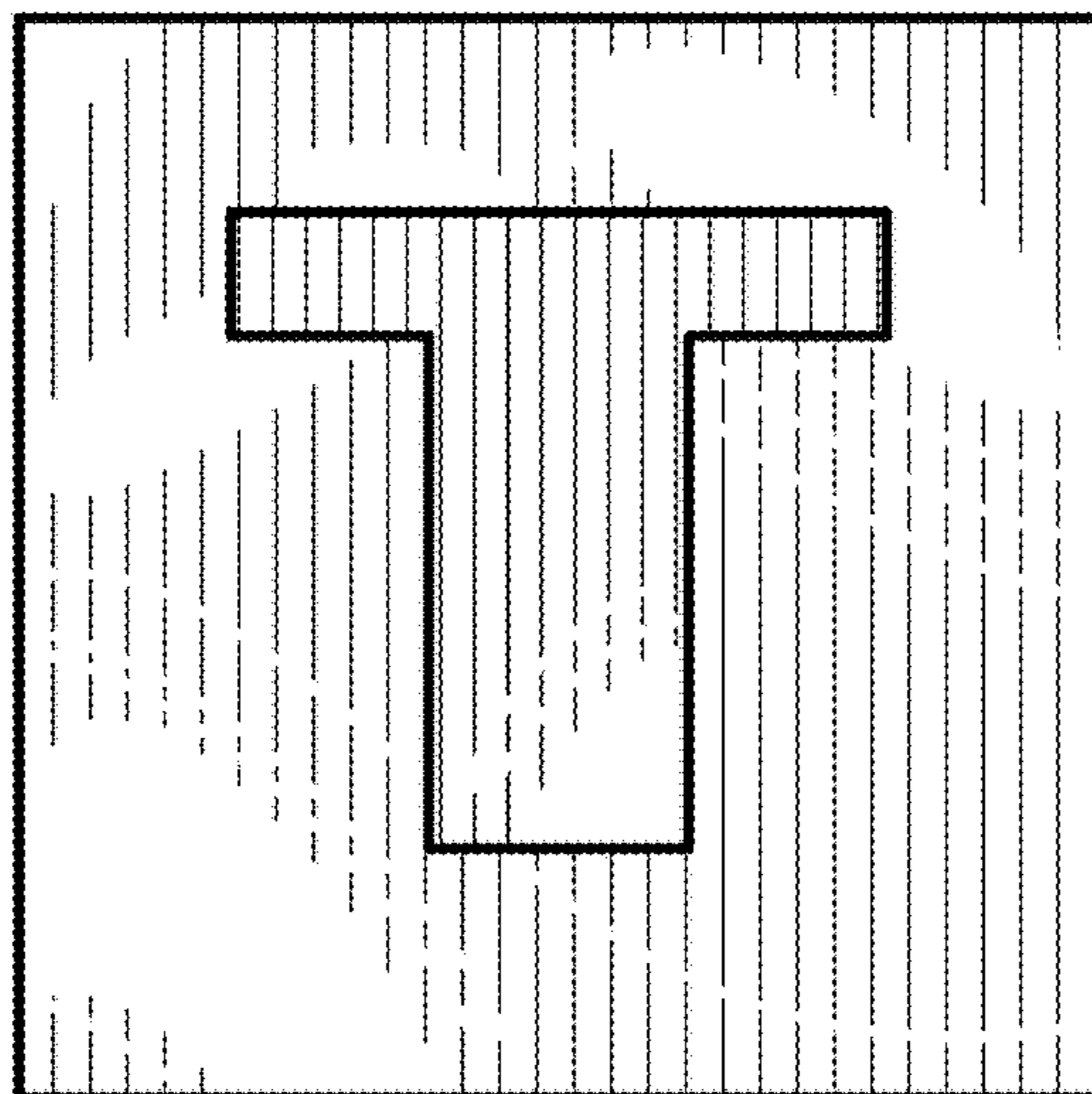


FIG. 3

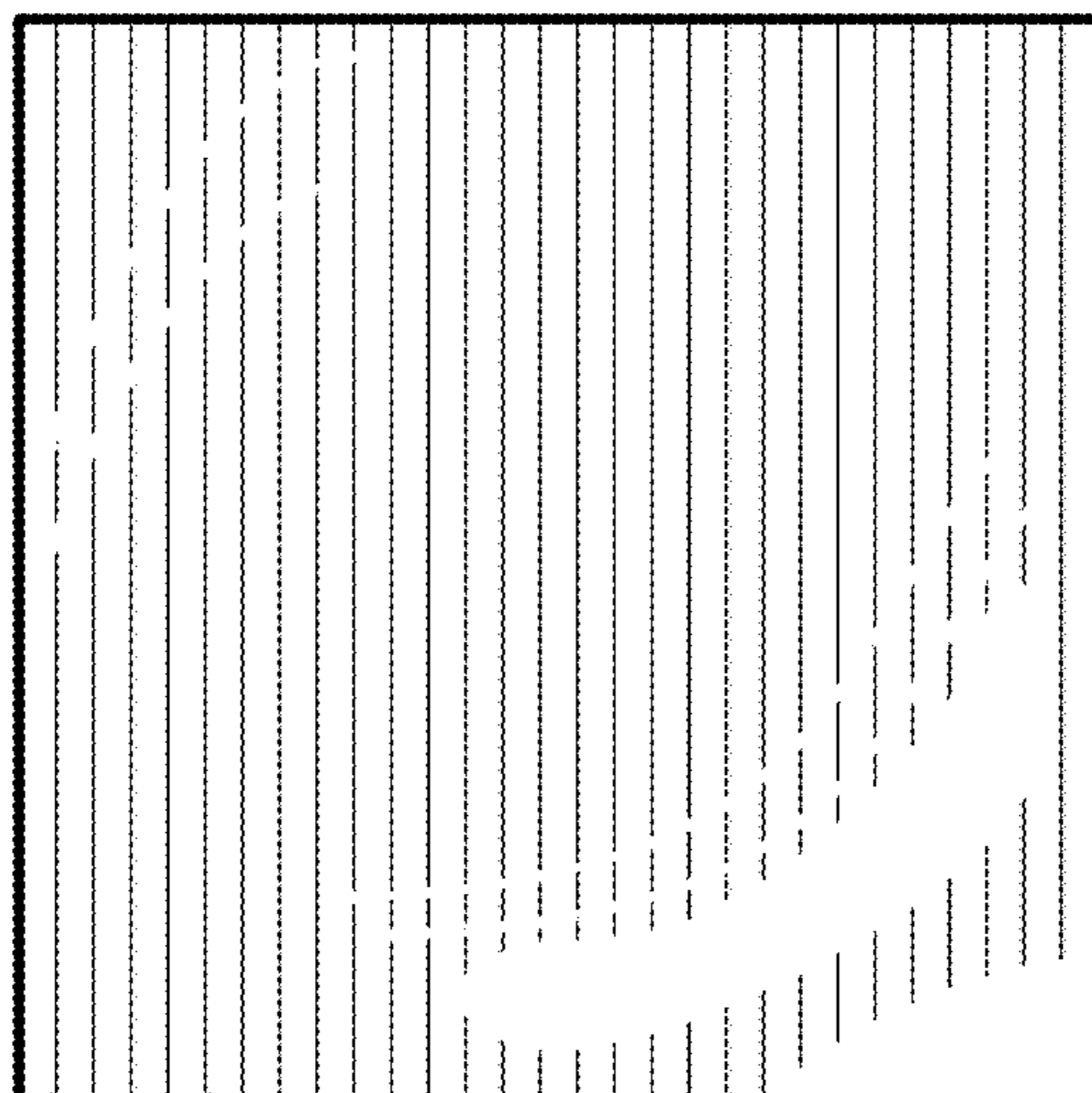


FIG. 4

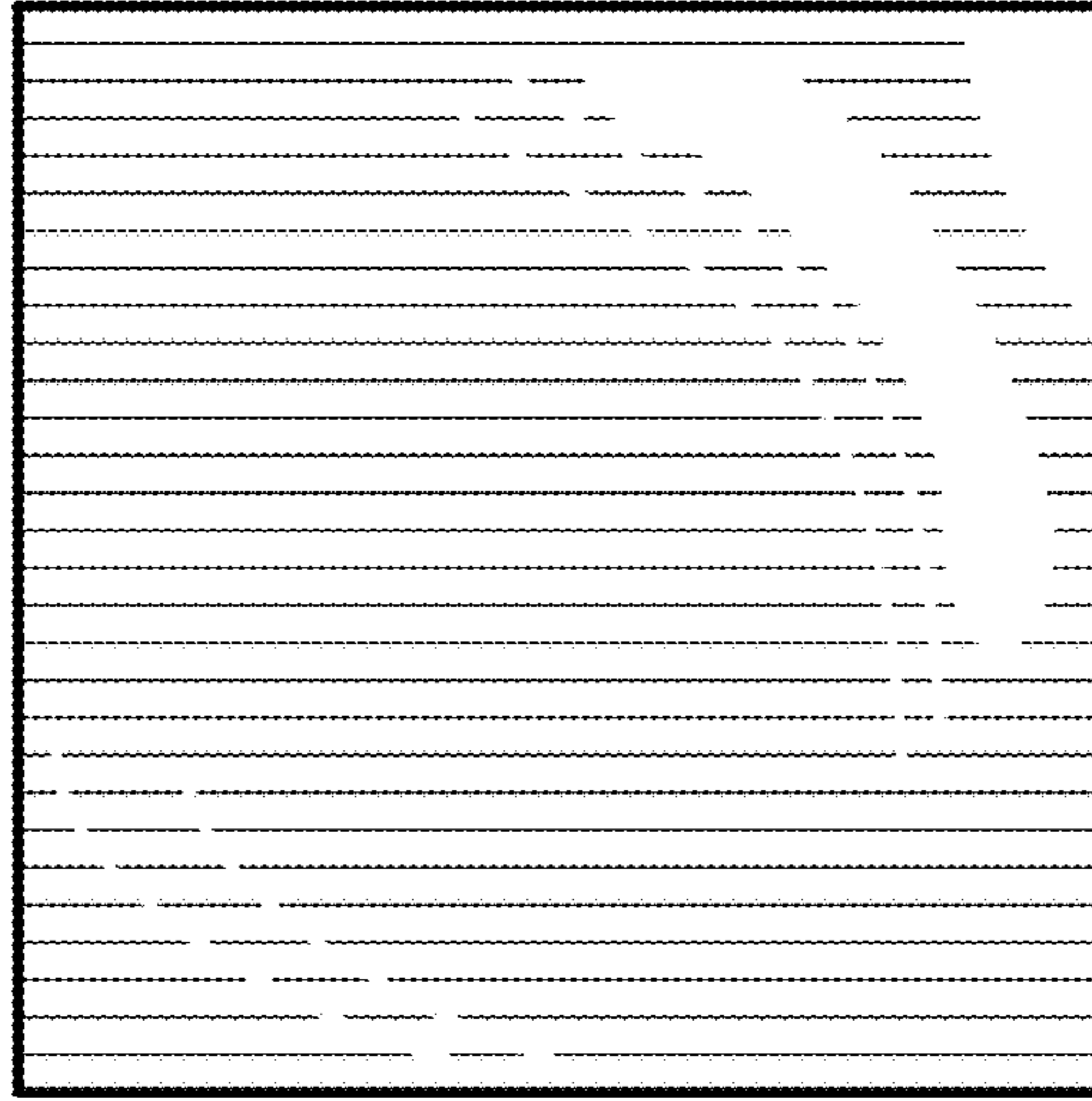


FIG. 5

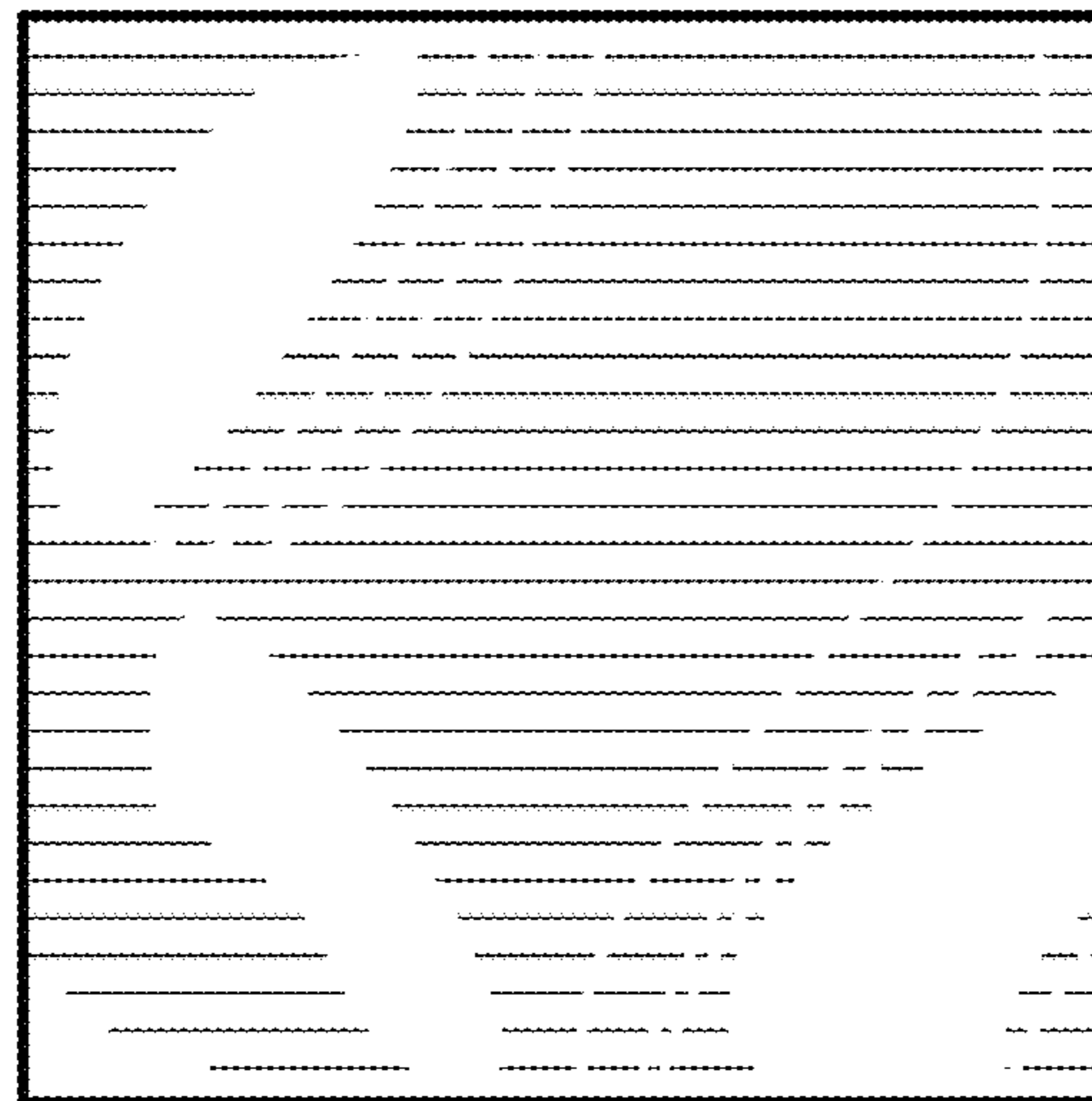


FIG. 6

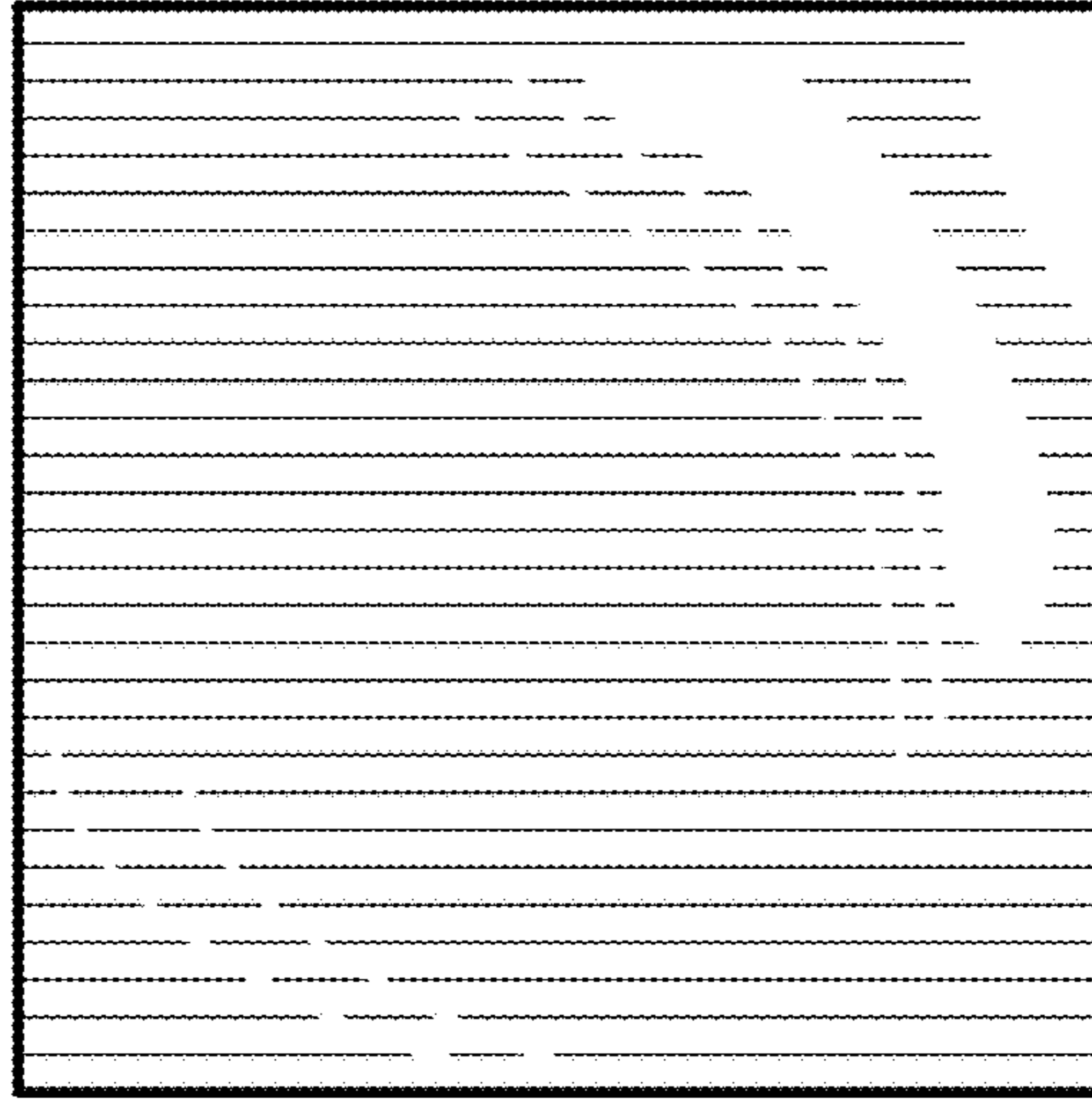


FIG. 7

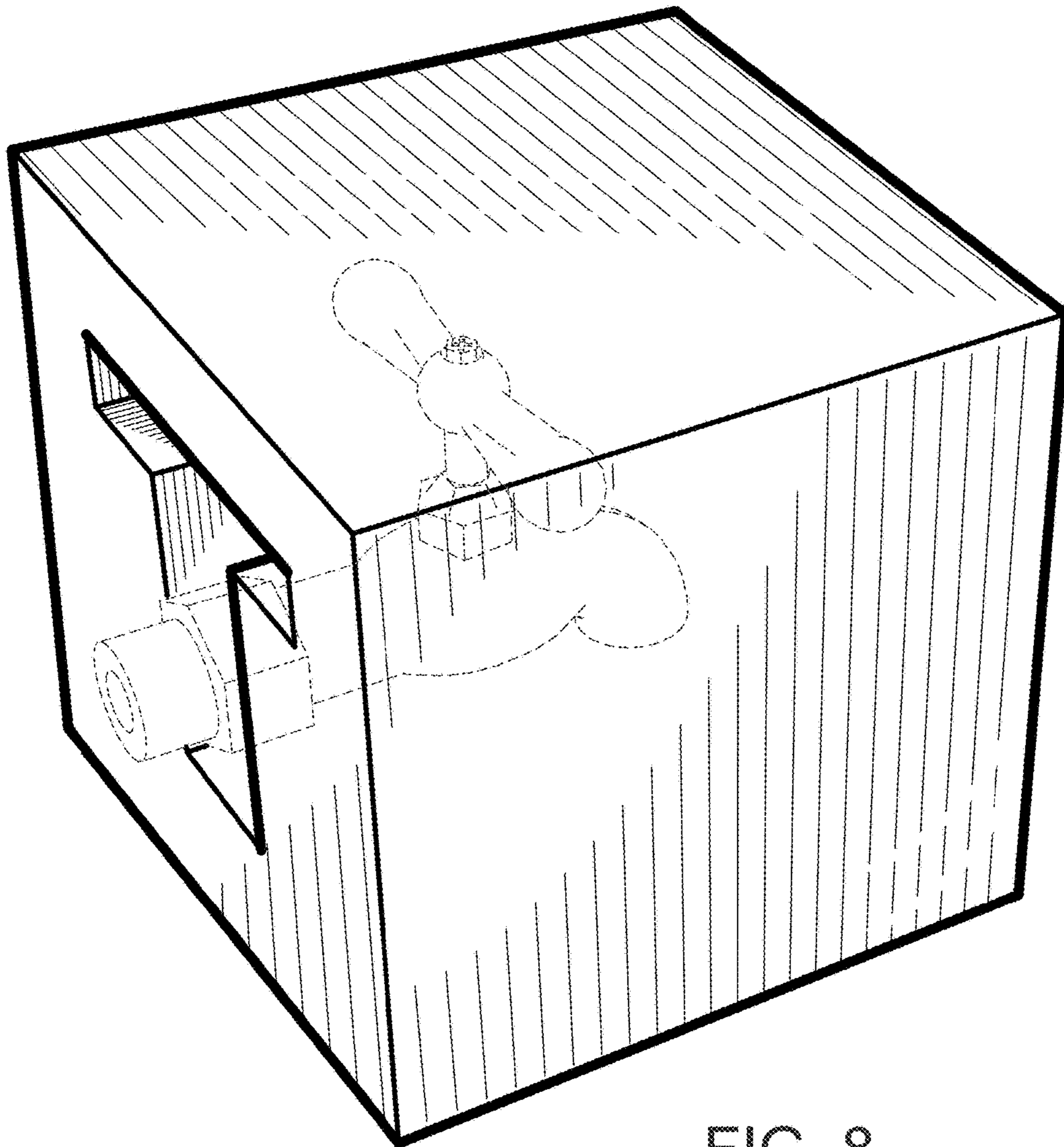


FIG. 8