

US00D850588S

(12) **United States Design Patent**  
**Tanghetti**

(10) **Patent No.:** **US D850,588 S**

(45) **Date of Patent:** **\*\* Jun. 4, 2019**

(54) **VALVE TAP**

(71) Applicant: **EFFEBI S.P.A.**, Bovezzo (IT)

(72) Inventor: **Ermanno Tanghetti**, Concesio (IT)

(73) Assignee: **EFFEBI S.P.A.**, Bovezzo (IT)

(\*\*) Term: **15 Years**

(21) Appl. No.: **35/504,719**

(22) Filed: **Oct. 3, 2017**

(80) **Hague Agreement Data**

Int. Filing Date: **Oct. 3, 2017**

Int. Reg. No.: **DM/099927**

Int. Reg. Date: **Oct. 3, 2017**

Int. Reg. Pub. Date: **Apr. 6, 2018**

(51) **LOC (11) Cl.** ..... **23-01**

(52) **U.S. Cl.**  
USPC ..... **D23/238**

(58) **Field of Classification Search**  
USPC ..... D23/233, 238, 239, 241–243, 245,  
D23/248–250, 255, 257  
CPC ..... E03C 1/04; E03C 1/0401; E03C 1/0402;  
E03C 1/0404

See application file for complete search history.

(56) **References Cited**

**U.S. PATENT DOCUMENTS**

- D585,965 S \* 2/2009 Kohler, Jr. .... E03C 1/08  
D23/255
- D601,667 S \* 10/2009 Schoenherr ..... D23/255
- D626,634 S \* 11/2010 Lammel ..... D23/255

- D655,394 S \* 3/2012 Obara ..... D23/238
- D705,903 S \* 5/2014 Flowers ..... D23/238
- D790,914 S \* 7/2017 Arov ..... D7/398
- D791,278 S \* 7/2017 Georgeson ..... D23/238
- D816,802 S \* 5/2018 Tsai ..... D23/238
- D817,453 S \* 5/2018 Wang ..... D23/238
- D827,779 S \* 9/2018 Soulier ..... D23/238
- D833,217 S \* 11/2018 Lin ..... D7/398
- 2018/0251966 A1 \* 9/2018 Tanghetti ..... E03C 1/08

\* cited by examiner

*Primary Examiner* — Keli L Hill

(74) *Attorney, Agent, or Firm* — Workman Nydegger

(57) **CLAIM**

The ornamental design for a valve tap, as shown and described.

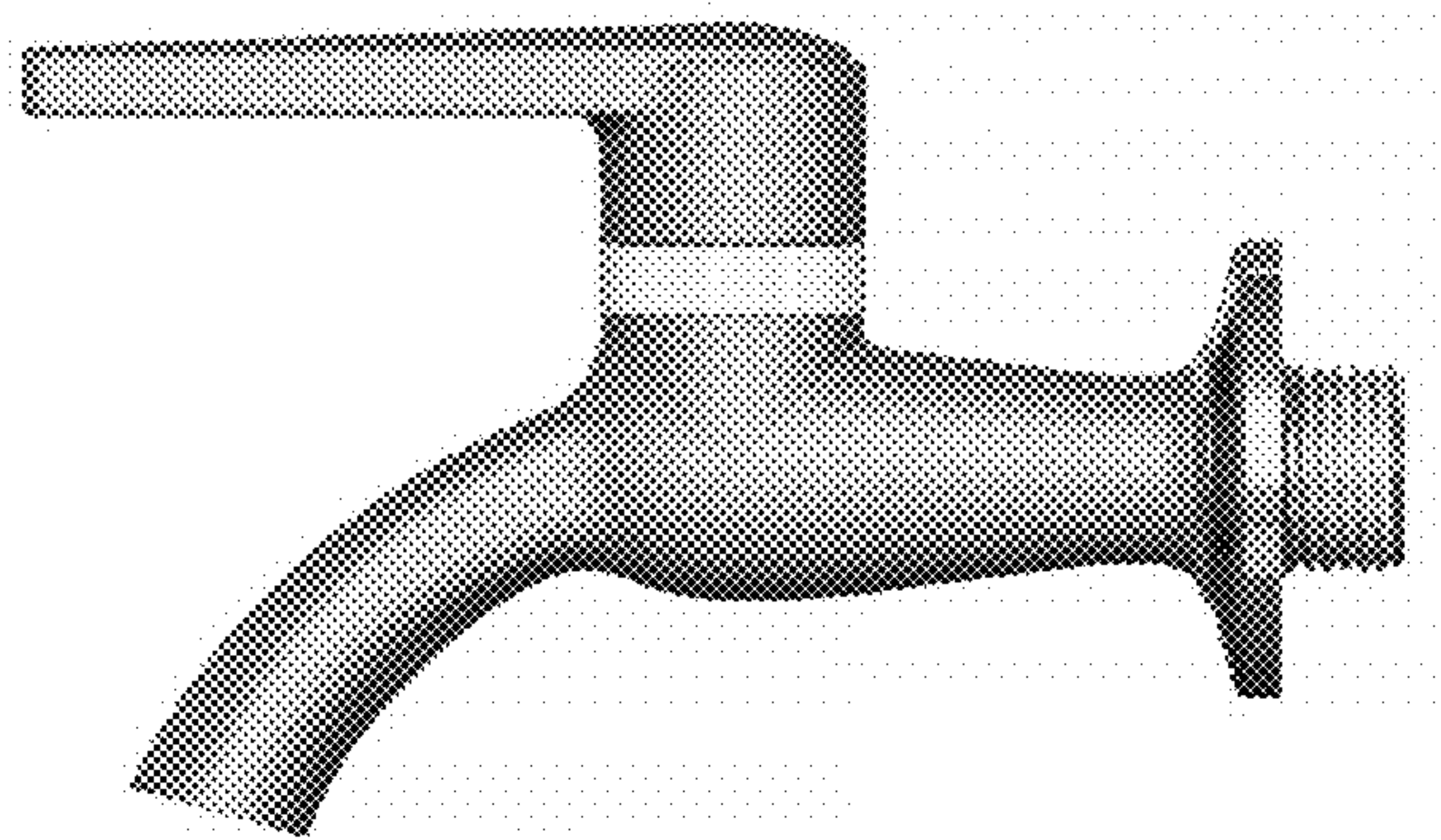
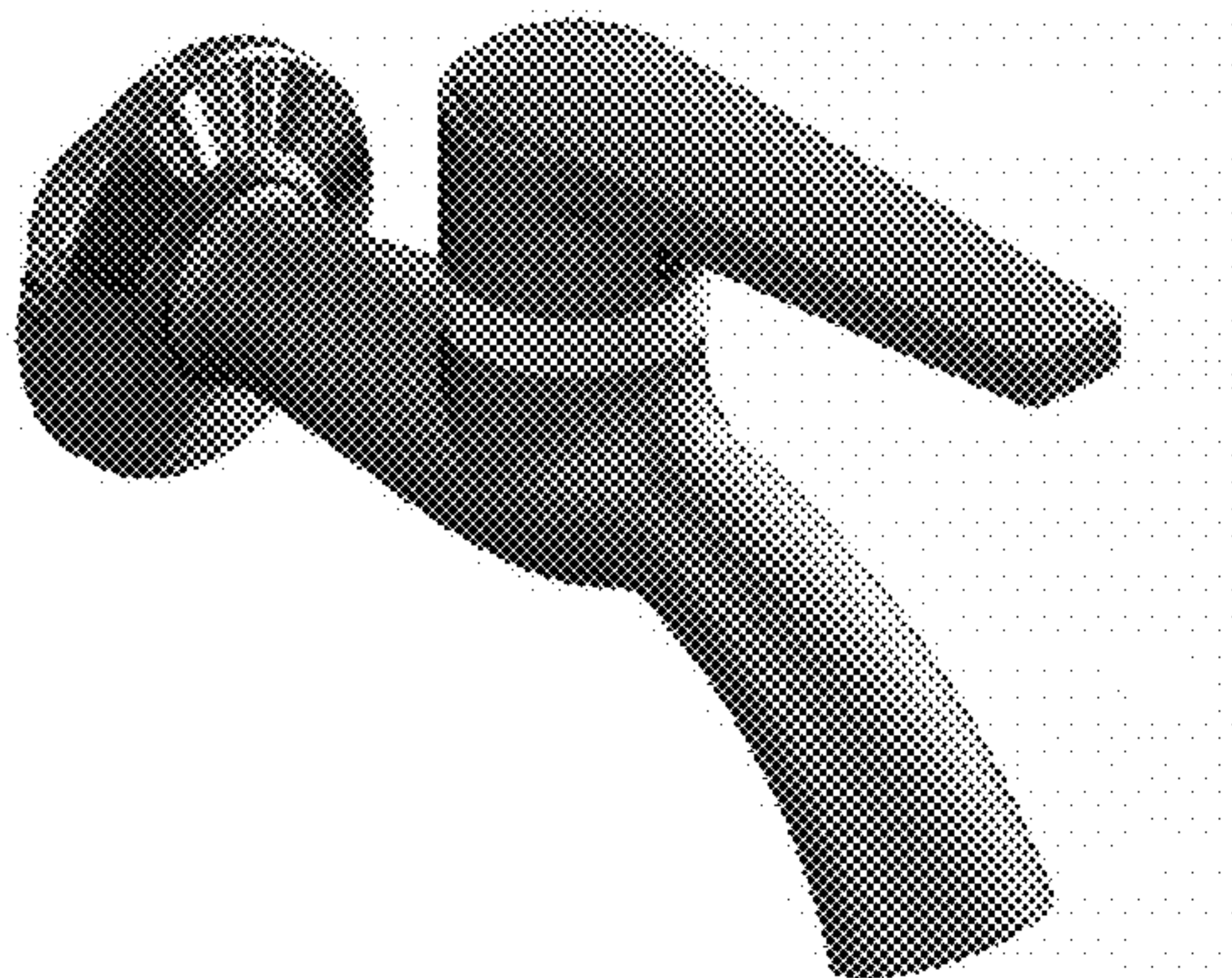
**DESCRIPTION**

The file of this patent contains at least one drawing/photograph executed in color. Copies of this patent with color drawing(s)/photograph(s) will be provided by the Office upon request and payment of the necessary fee.

- 1. Valve [tap]
- 1.1 : front/side perspective view
- 1.2 : front elevation view
- 1.3 : rear elevation view
- 1.4 : right side elevation view
- 1.5 : left side elevation view
- 1.6 : top plan view
- 1.7 : bottom plan view

The present valve has a light-gold appearance; the handle and the valve body have a special surface finish, while a shiny small band is positioned between the handle and the valve body.

**1 Claim, 7 Drawing Sheets**  
**(7 of 7 Drawing Sheet(s) Filed in Color)**

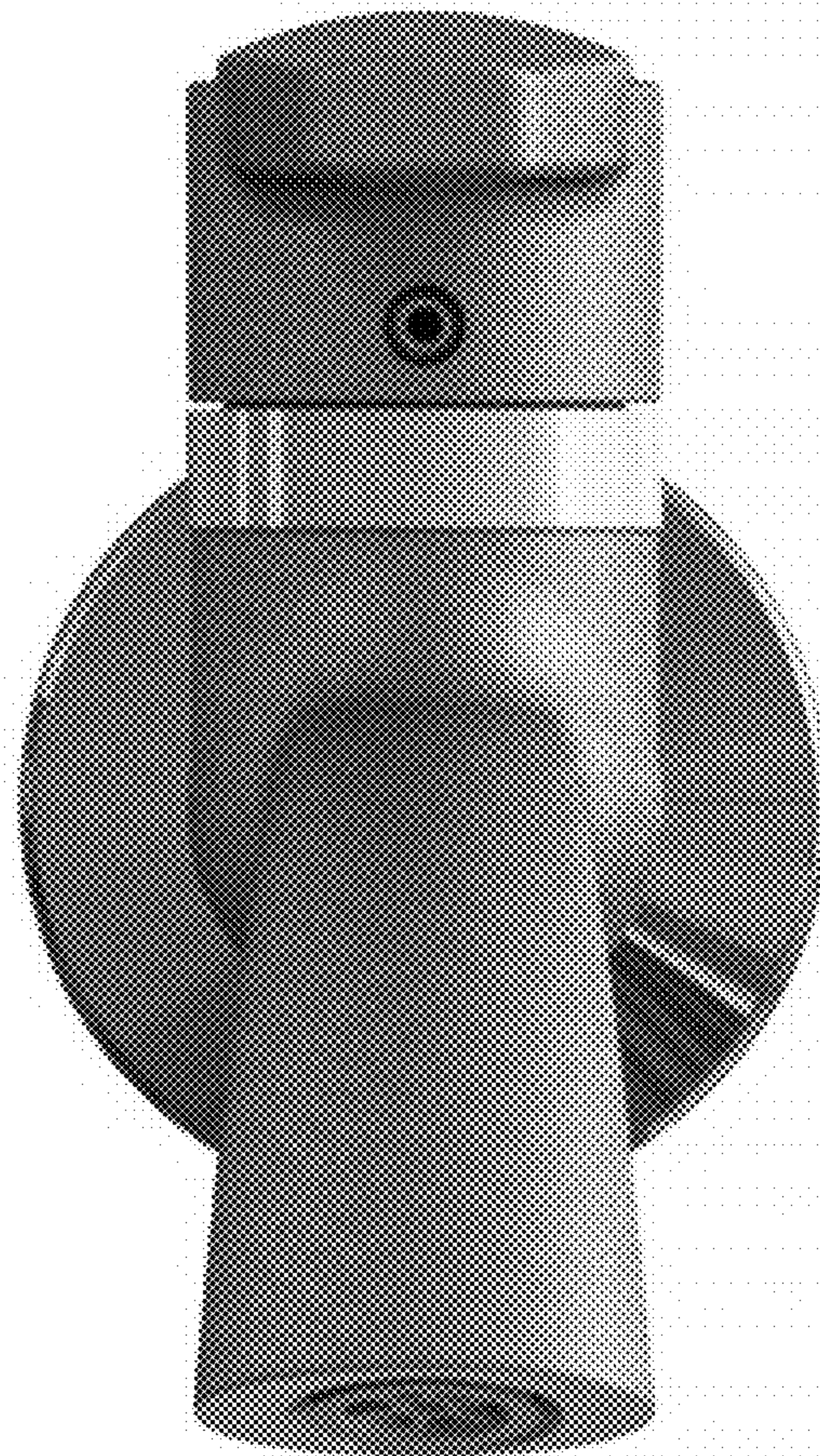


1.1

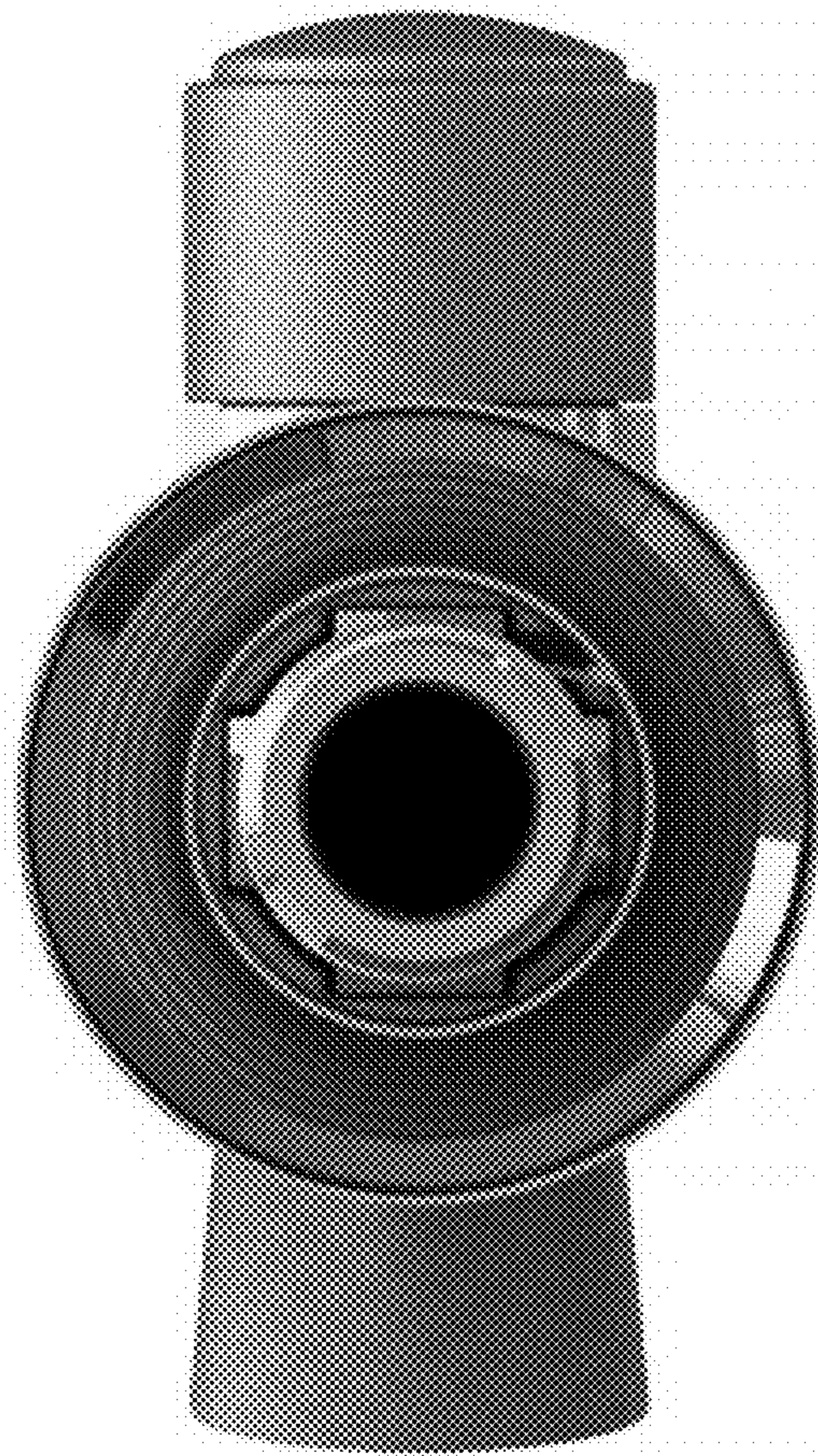




1.2

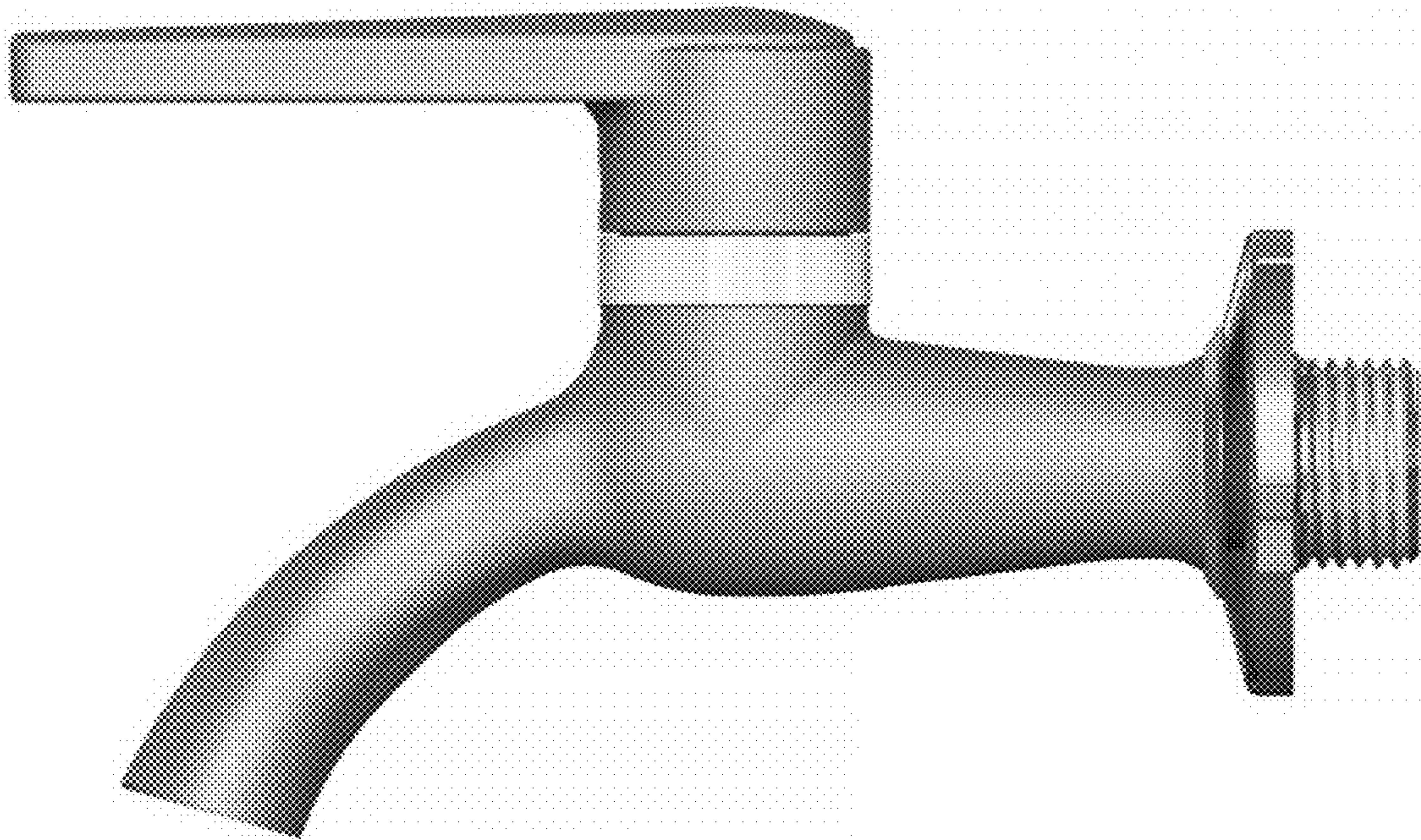


1.3

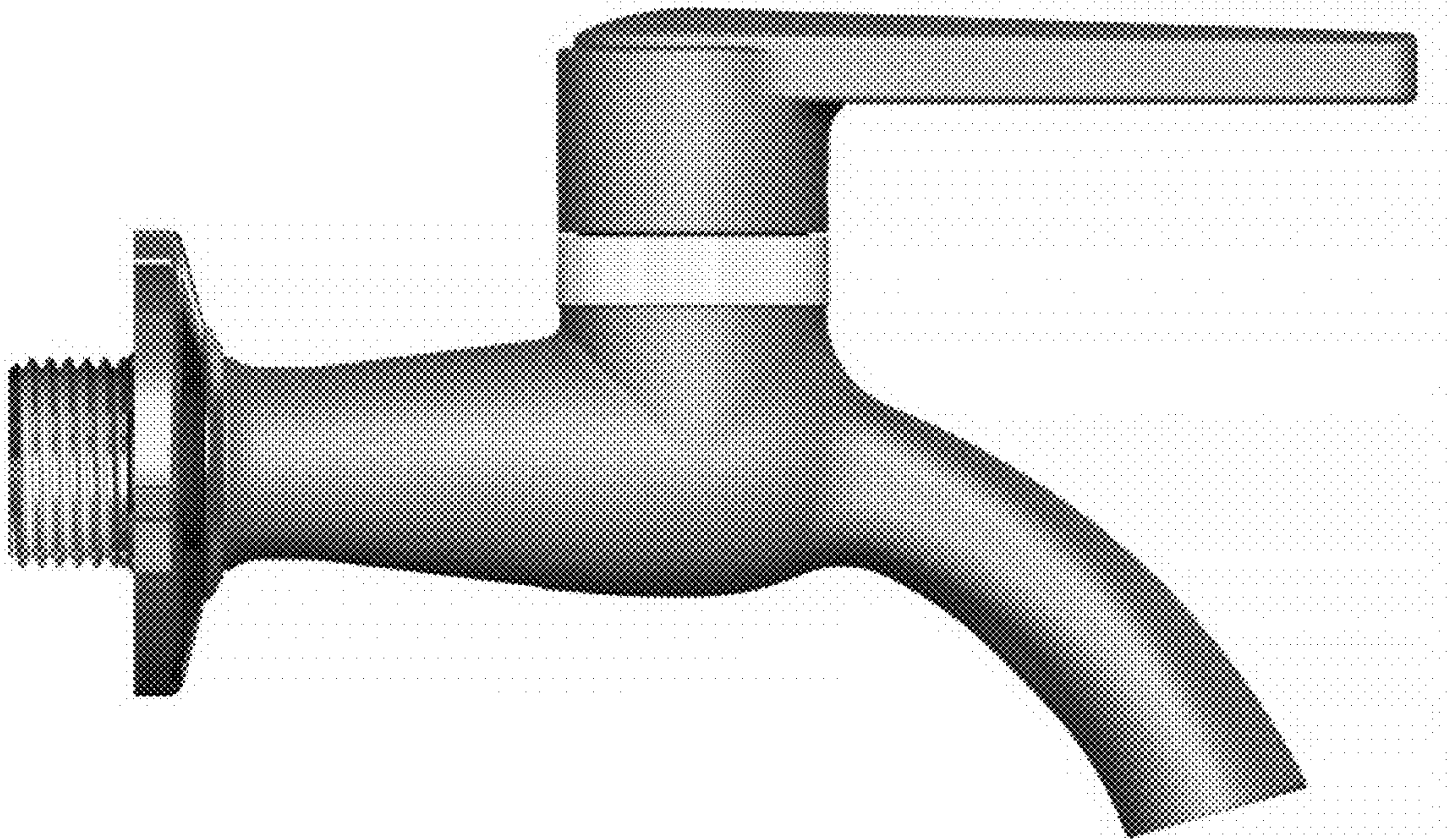




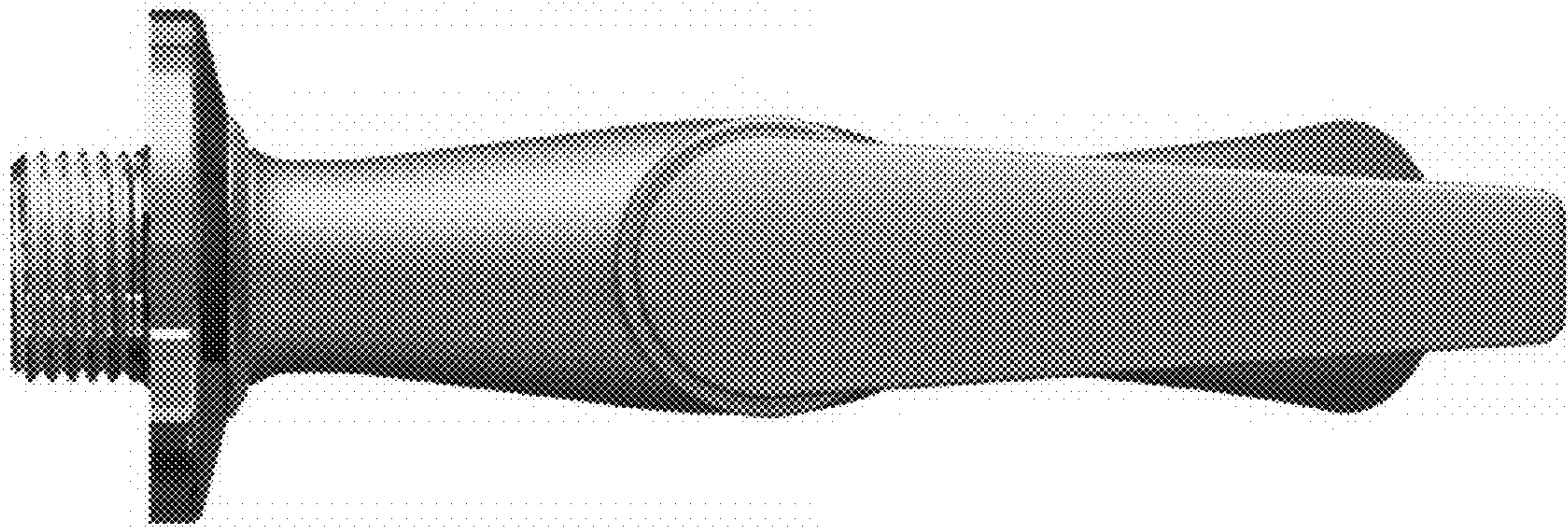
1.4



1.5



1.6





1.7

