



US00D850587S

(12) **United States Design Patent**  
**Chen**

(10) **Patent No.:** **US D850,587 S**

(45) **Date of Patent:** **\*\* Jun. 4, 2019**

(54) **FAUCET**

(71) Applicant: **Hui Chen**, Ruian (CN)

(72) Inventor: **Hui Chen**, Ruian (CN)

(\*\*) Term: **15 Years**

(21) Appl. No.: **29/669,556**

(22) Filed: **Nov. 9, 2018**

(51) **LOC (11) Cl.** ..... **23-01**

(52) **U.S. Cl.**  
USPC ..... **D23/238; D23/256**

(58) **Field of Classification Search**  
USPC ..... D23/238-243, 249, 250, 252, 254-255,  
D23/257, 245; D08/300; D7/394, 622,  
D7/709, 319, 312, 317, 321; D9/797,  
D9/545, 435  
CPC ..... Y10T 137/9464  
See application file for complete search history.

(56) **References Cited**

**U.S. PATENT DOCUMENTS**

D349,331 S *	8/1994	Bollenbacher	.....	D23/257
D504,937 S *	5/2005	Green	.....	D23/252
D510,411 S	10/2005	Lord		
D515,663 S	2/2006	Lin		
D516,684 S *	3/2006	Ouyoung	.....	D23/238
D524,923 S *	7/2006	Gilbert	.....	D23/255
D594,532 S *	6/2009	Schoenherr	.....	D23/238

D677,761 S *	3/2013	Lord	.....	D23/255
D685,060 S *	6/2013	Yu	.....	D23/238
D705,400 S *	5/2014	Georgeson	.....	D23/252
D717,401 S *	11/2014	Fritz	.....	D23/238
D805,611 S	12/2017	Rexach		

\* cited by examiner

*Primary Examiner* — Robert A Delehanty

(74) *Attorney, Agent, or Firm* — Wayne V. Harper

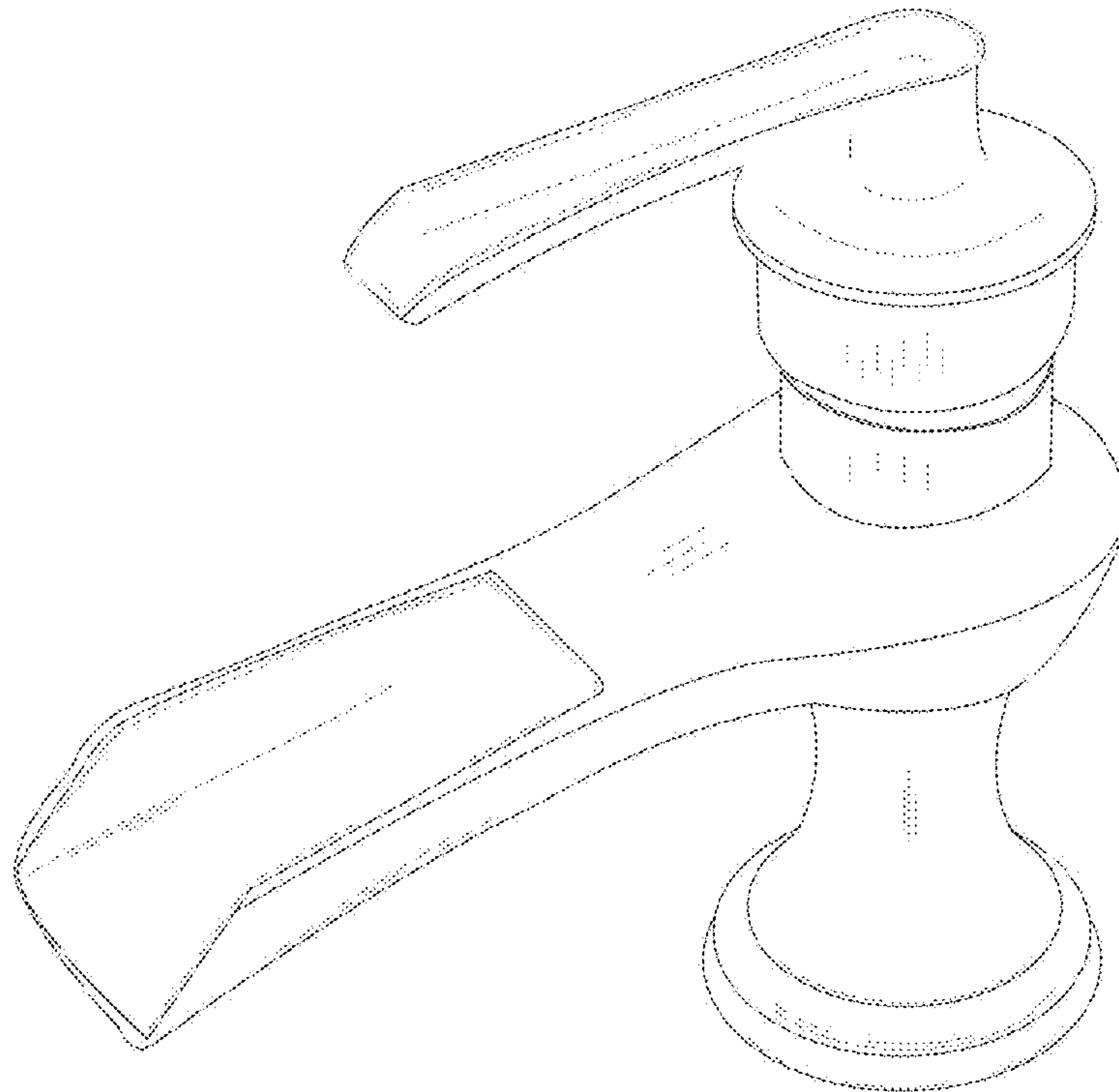
(57) **CLAIM**

I claim the ornamental design for a faucet, as shown and described.

**DESCRIPTION**

FIG. 1 is a perspective view of a faucet showing my new design;  
FIG. 2 is back perspective view of the faucet as shown in FIG. 1;  
FIG. 3 is a back-side view of the faucet as shown in FIG. 1;  
FIG. 4 is a front-side view of the faucet as shown in FIG. 1;  
FIG. 5 is a left-side view of the faucet as shown in FIG. 1;  
FIG. 6 is a right-side view of the faucet as shown in FIG. 1;  
and,  
FIG. 7 is a top-side view of the faucet as shown in FIG. 1.  
No particular colour scheme forms part of the claimed design.

**1 Claim, 7 Drawing Sheets**



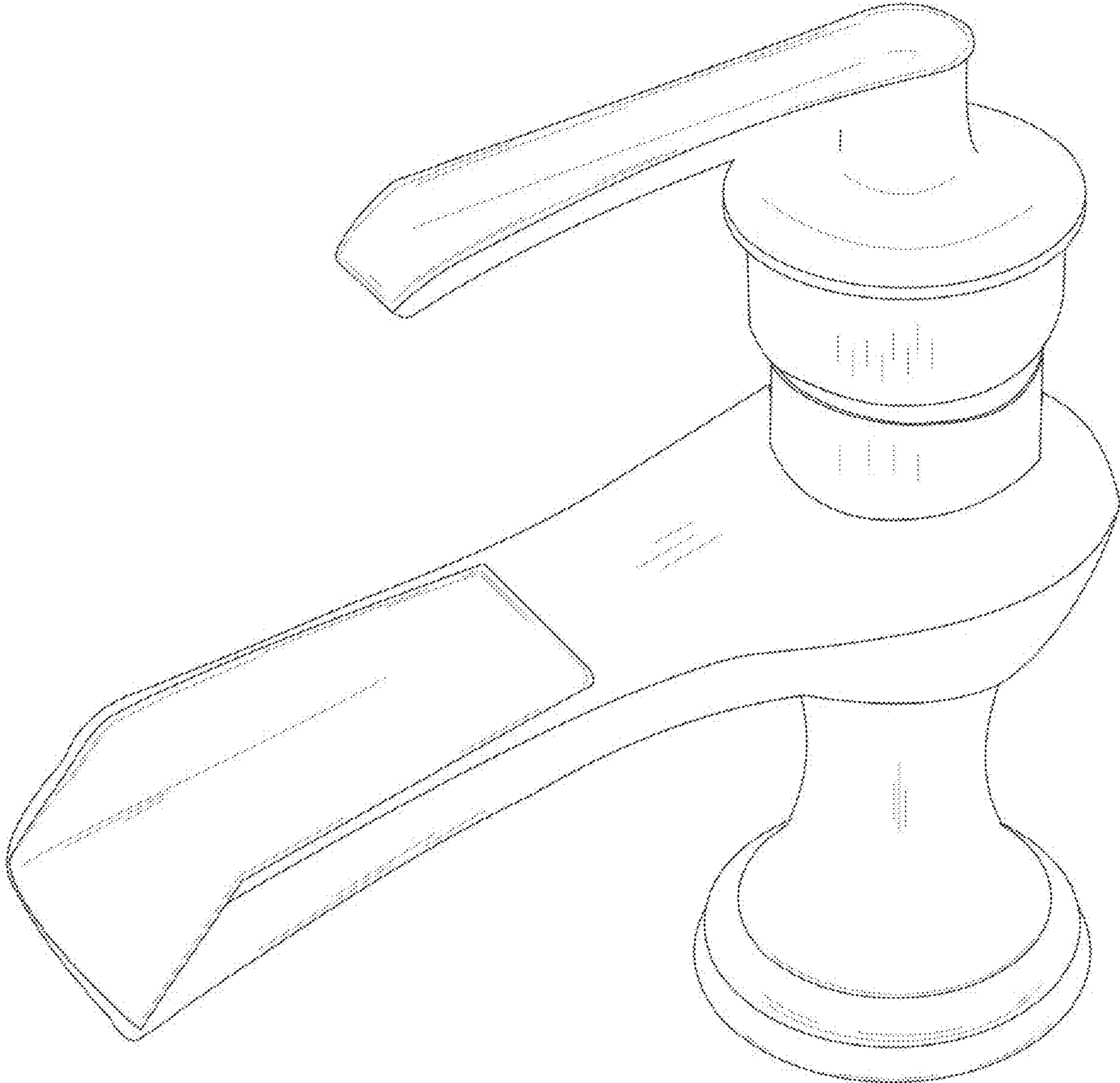


FIG. 1

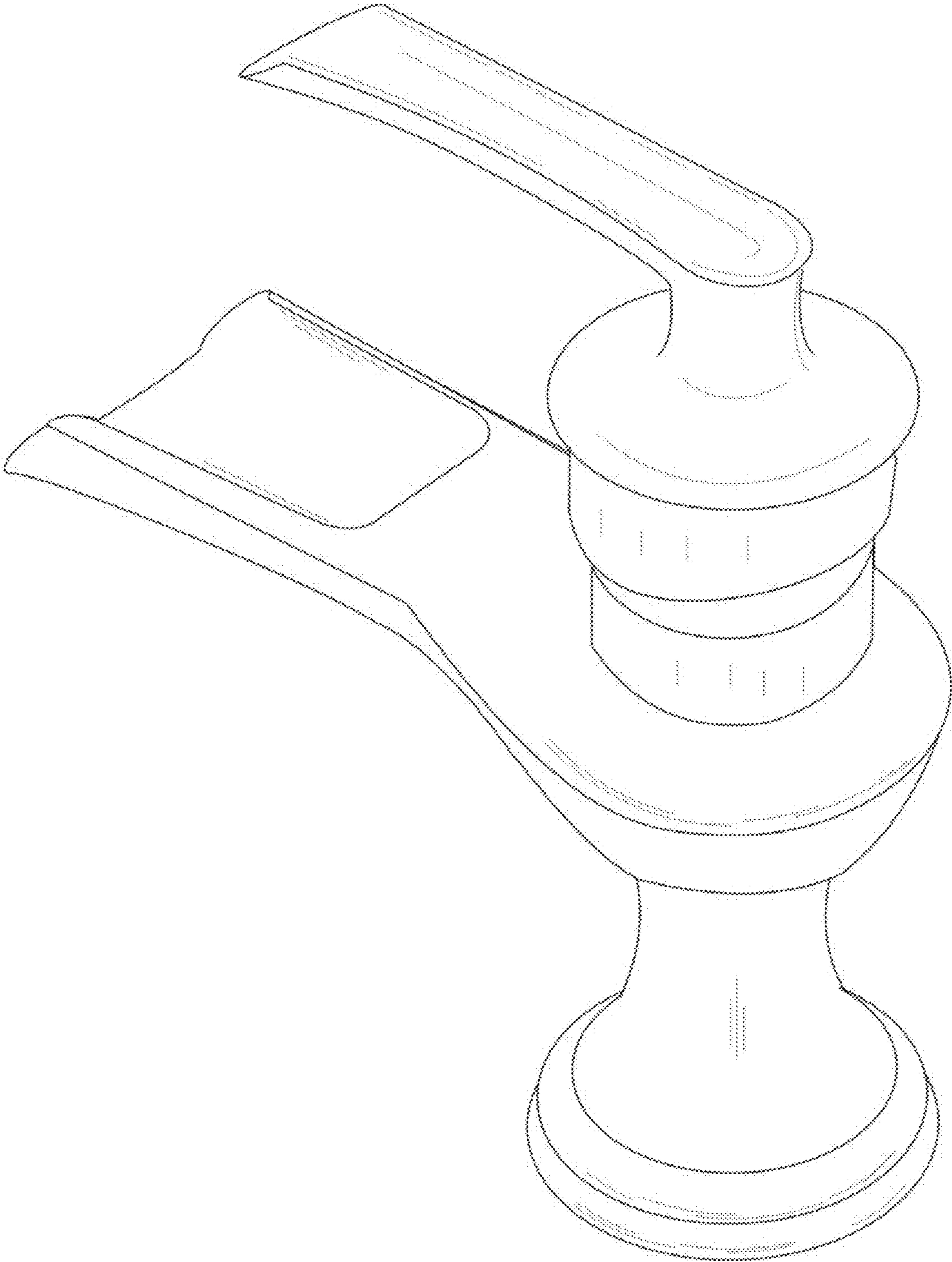


FIG. 2

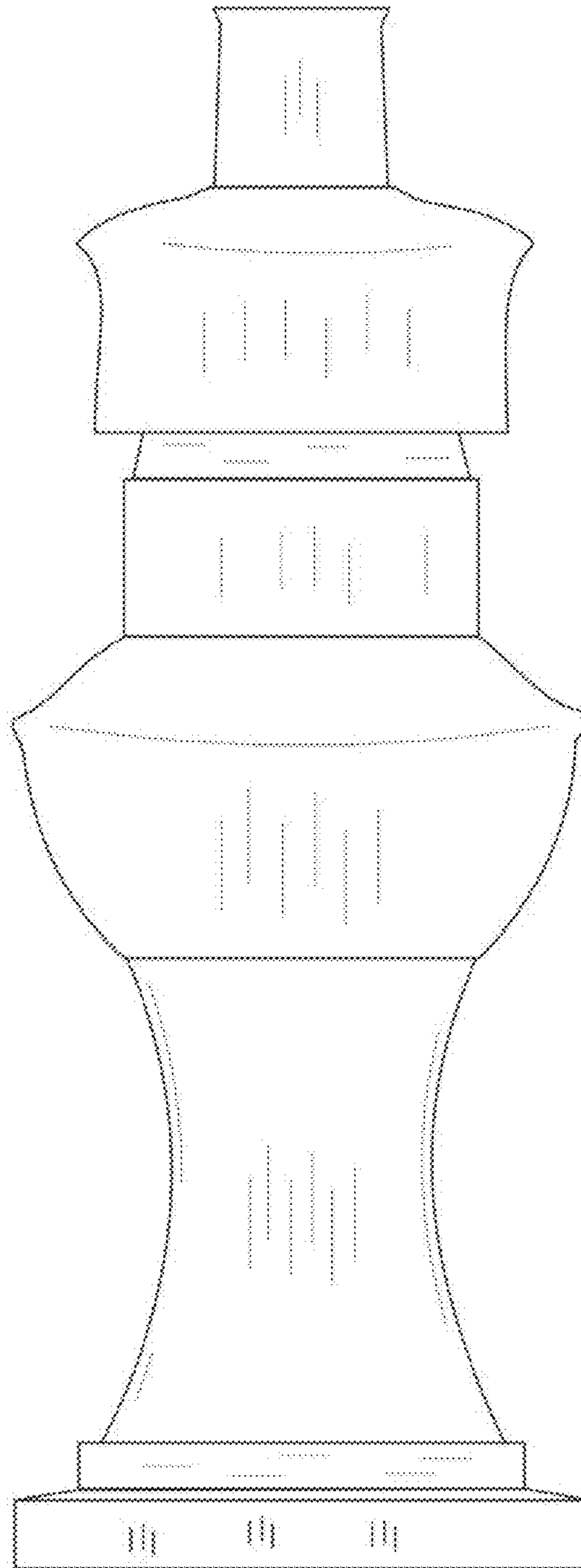


FIG. 3

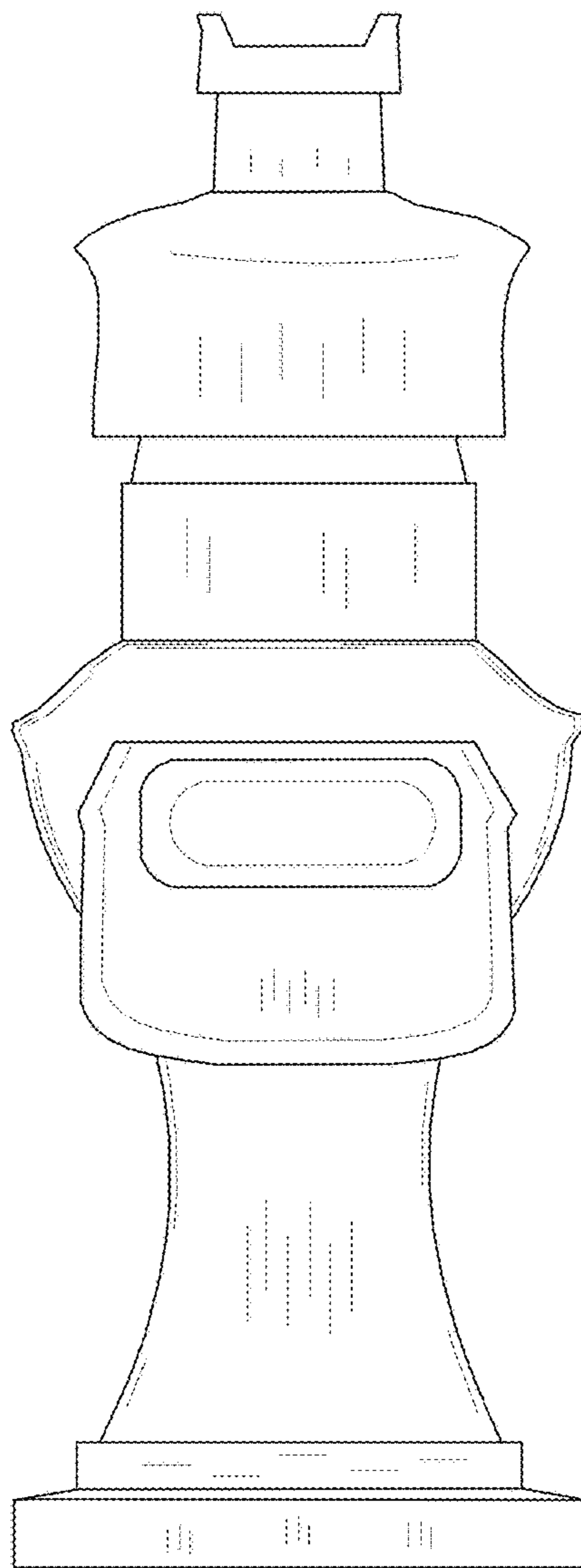


FIG. 4

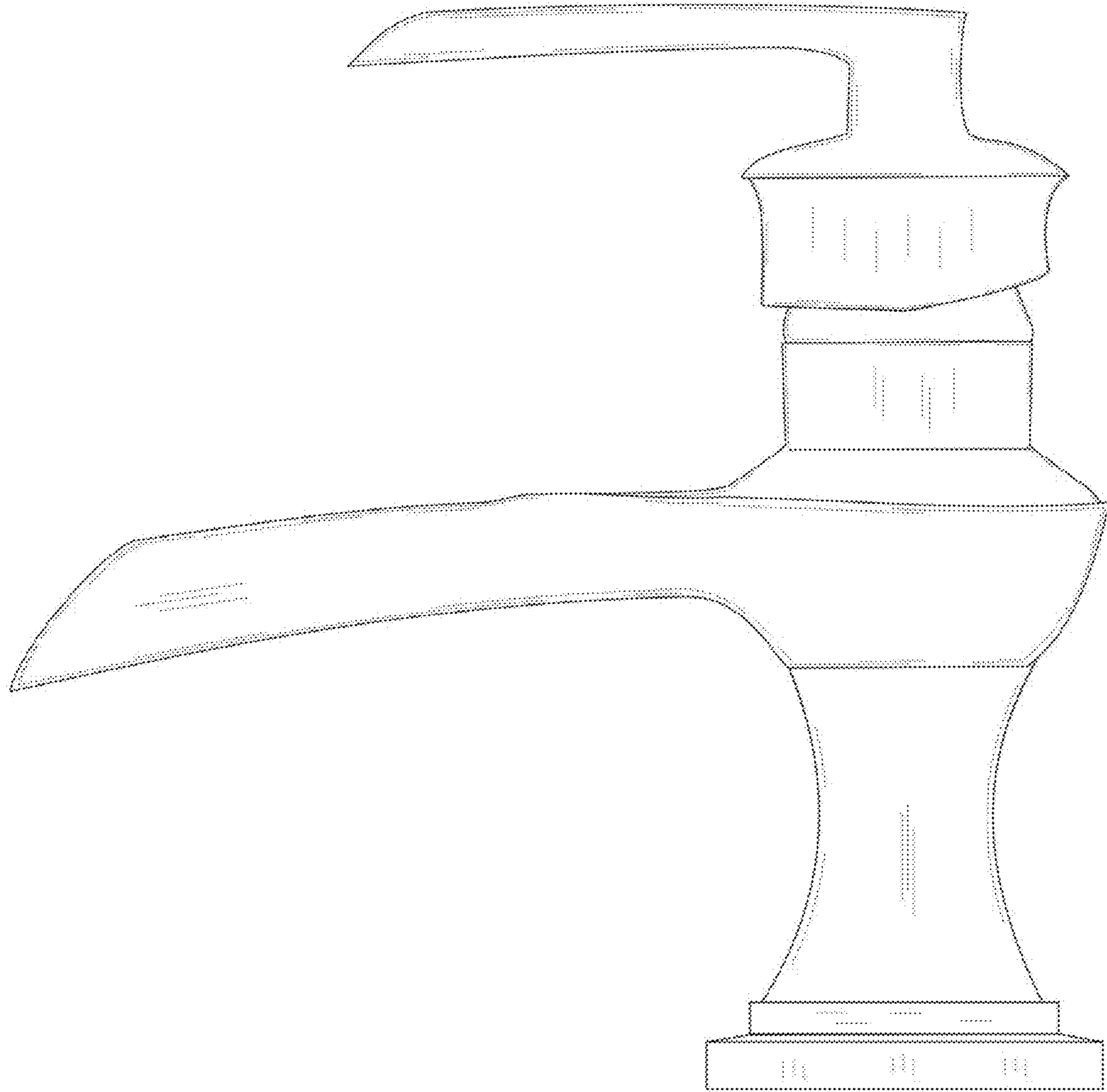


FIG. 5

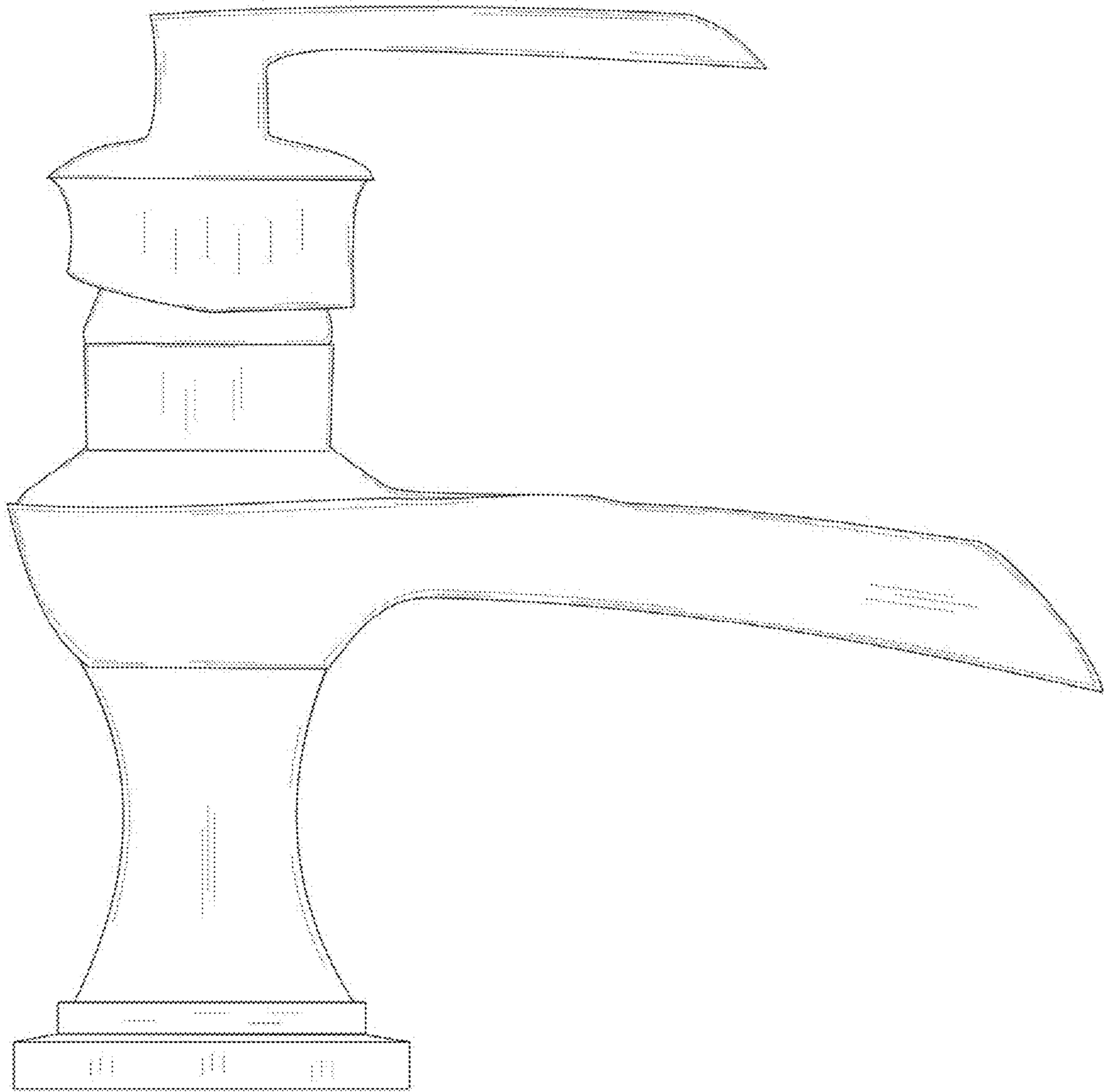


FIG. 6

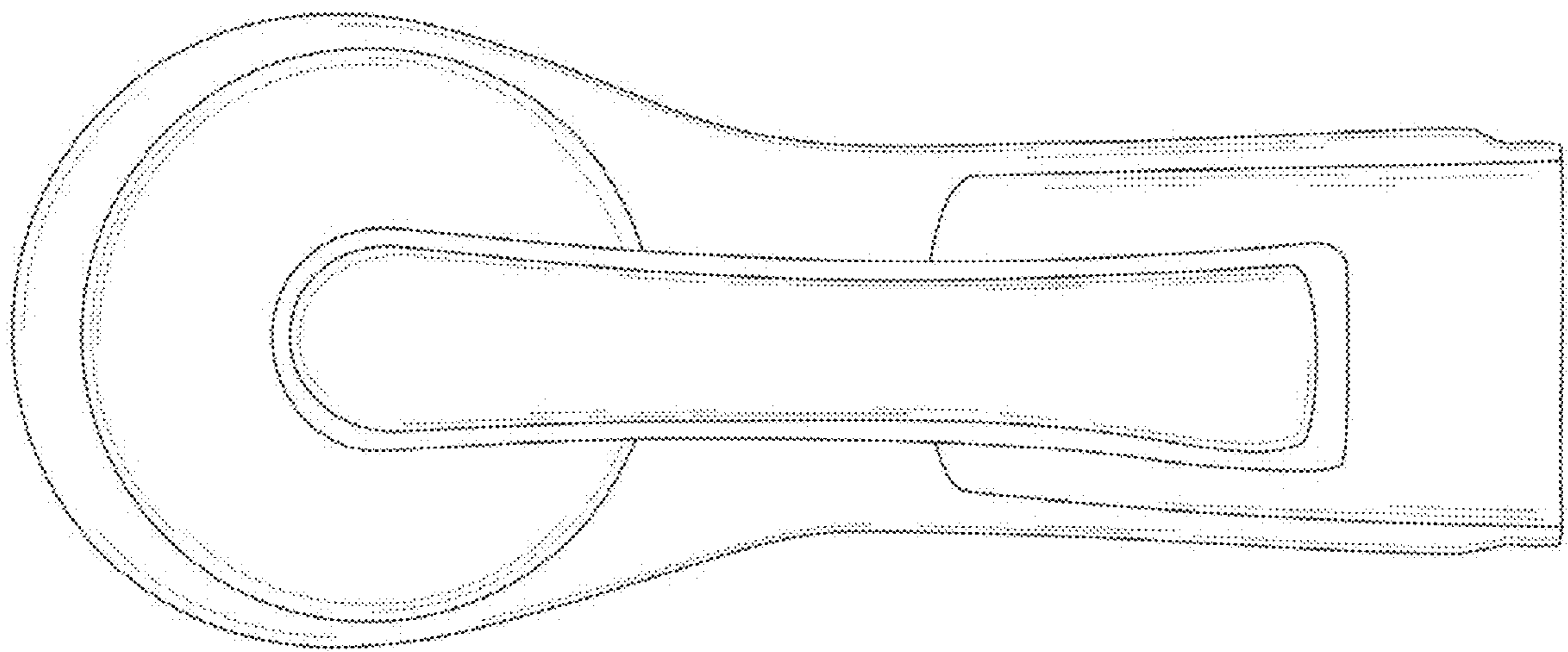


FIG. 7