



US00D850584S

(12) **United States Design Patent**
Karvir

(10) **Patent No.:** **US D850,584 S**

(45) **Date of Patent:** **** Jun. 4, 2019**

(54) **GAS FLOW REGULATOR**

(71) Applicant: **Chetan Govind Karvir**, Mumbai (IN)

(72) Inventor: **Chetan Govind Karvir**, Mumbai (IN)

(**) Term: **15 Years**

(21) Appl. No.: **29/604,300**

(22) Filed: **May 16, 2017**

(30) **Foreign Application Priority Data**

May 3, 2017 (IN) 293316

(51) **LOC (11) Cl.** **23-01**

(52) **U.S. Cl.**
USPC **D23/235**

(58) **Field of Classification Search**
USPC D23/233, 235, 241, 246; D10/96, 85;
251/118; 137/14, 12, 315.04
CPC F17C 2205/0338; F17C 2250/0636; F17C
13/04; F17C 2250/0626; F17C 2250/043
See application file for complete search history.

(56) **References Cited**

U.S. PATENT DOCUMENTS

D288,469 S * 2/1987 Pryor D10/84
D318,318 S * 7/1991 Datta D23/235

D378,283 S * 3/1997 Diehl D10/85
D383,406 S * 9/1997 Baker D10/96
D485,198 S * 1/2004 Islava D10/96
D607,355 S * 1/2010 Horner D10/85
D674,469 S * 1/2013 Boyer D23/235
D698,010 S * 1/2014 Boyer D23/235

* cited by examiner

Primary Examiner — Cynthia Ramirez

Assistant Examiner — Gino Colan

(74) *Attorney, Agent, or Firm* — HM Law Group LLP;
Vani Moodley, Esq.

(57) **CLAIM**

I claim the ornamental design for a gas flow regulator, as shown and described.

DESCRIPTION

FIG. 1 is a perspective view of the gas flow regulator showing my new design.

FIG. 2 is a first side view of the gas flow regulator.

FIG. 3 is a second side view of the gas flow regulator.

FIG. 4 is a front view of the gas flow regulator.

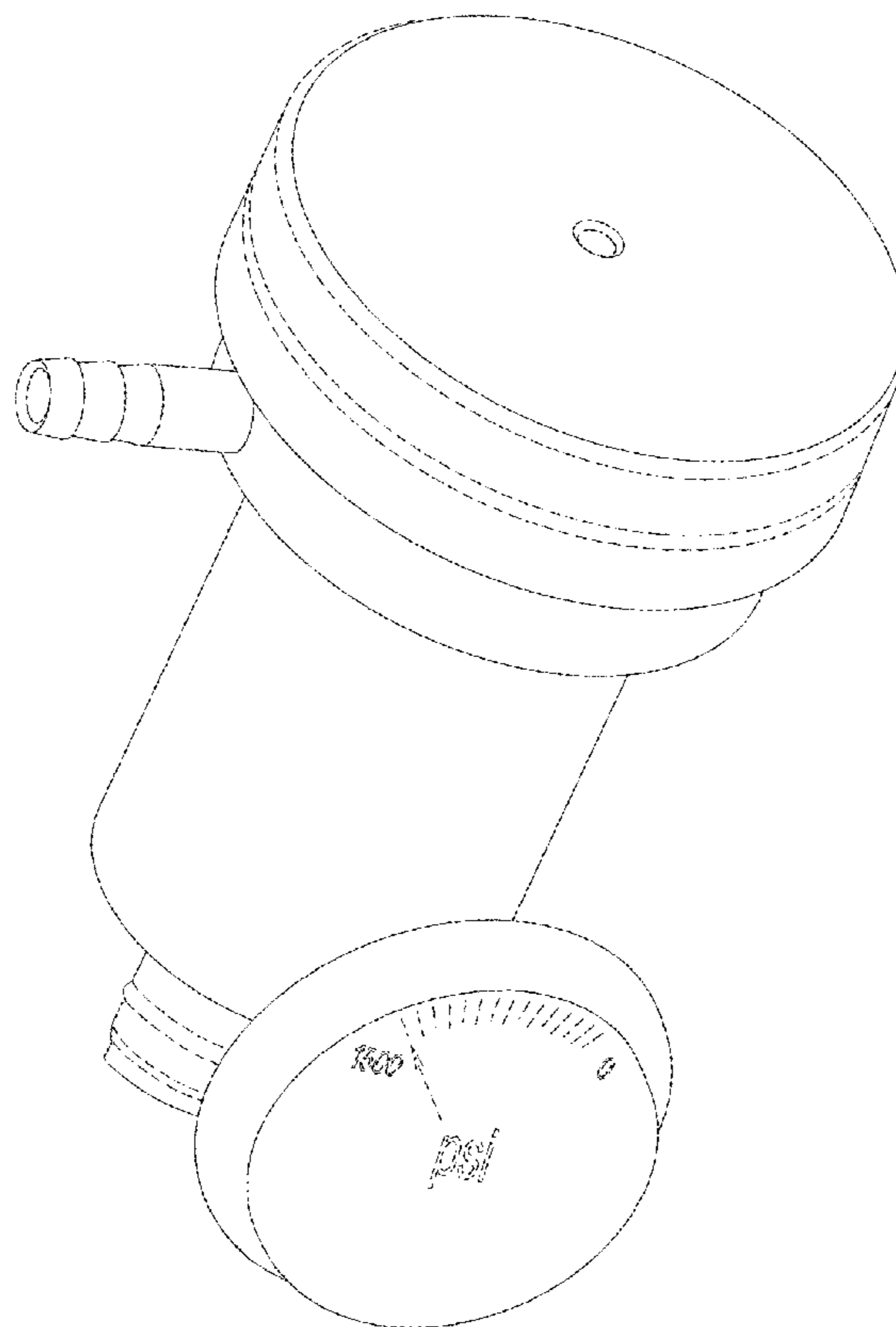
FIG. 5 is a rear view of the gas flow regulator.

FIG. 6 is a top plan view of the gas flow regulator; and,

FIG. 7 is a bottom plan view of the gas flow regulator.

The broken lines shown in the figures are included for the purpose of illustrating portions of the gas flow regulator and form no part of the claimed design.

1 Claim, 6 Drawing Sheets



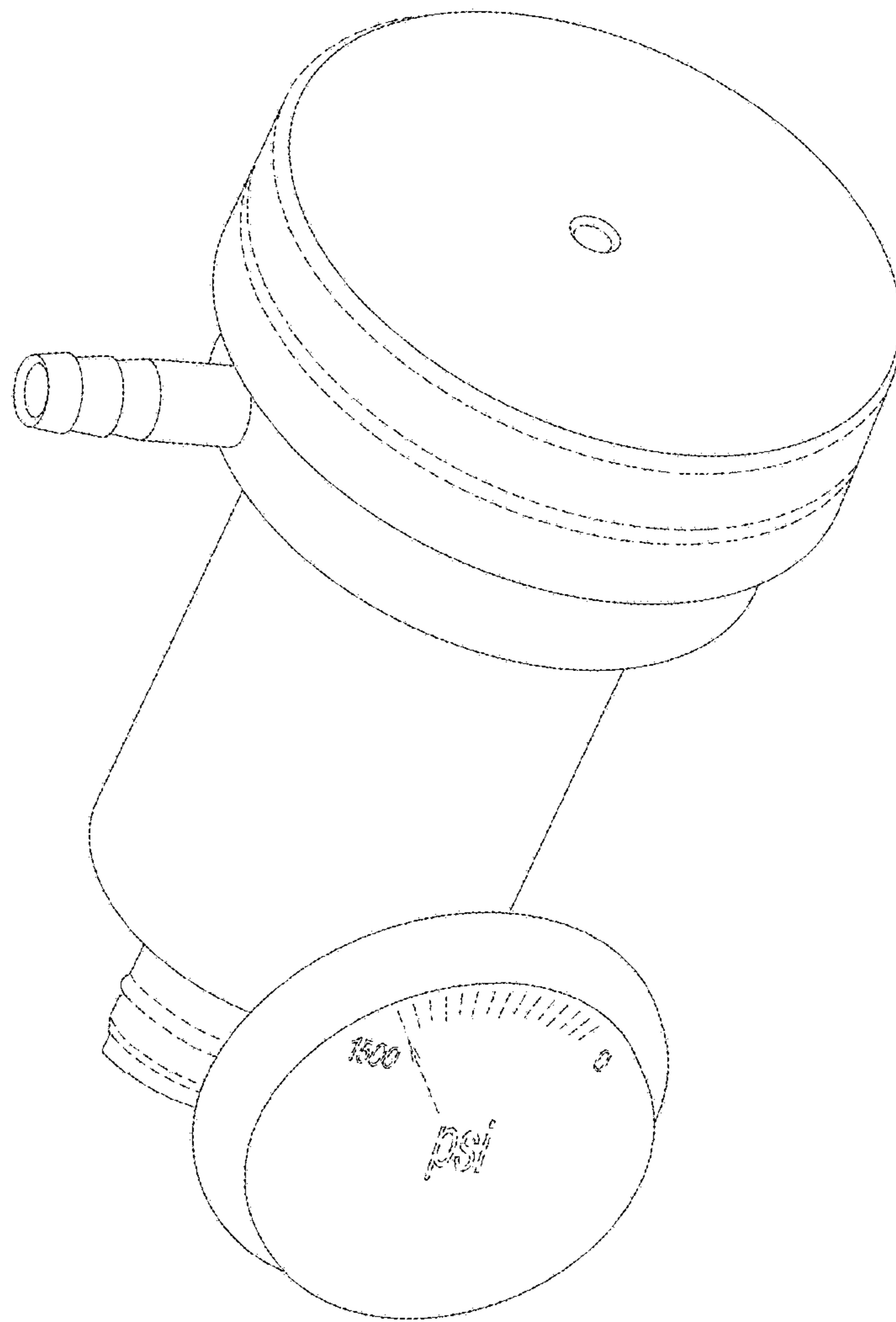


Fig. 1

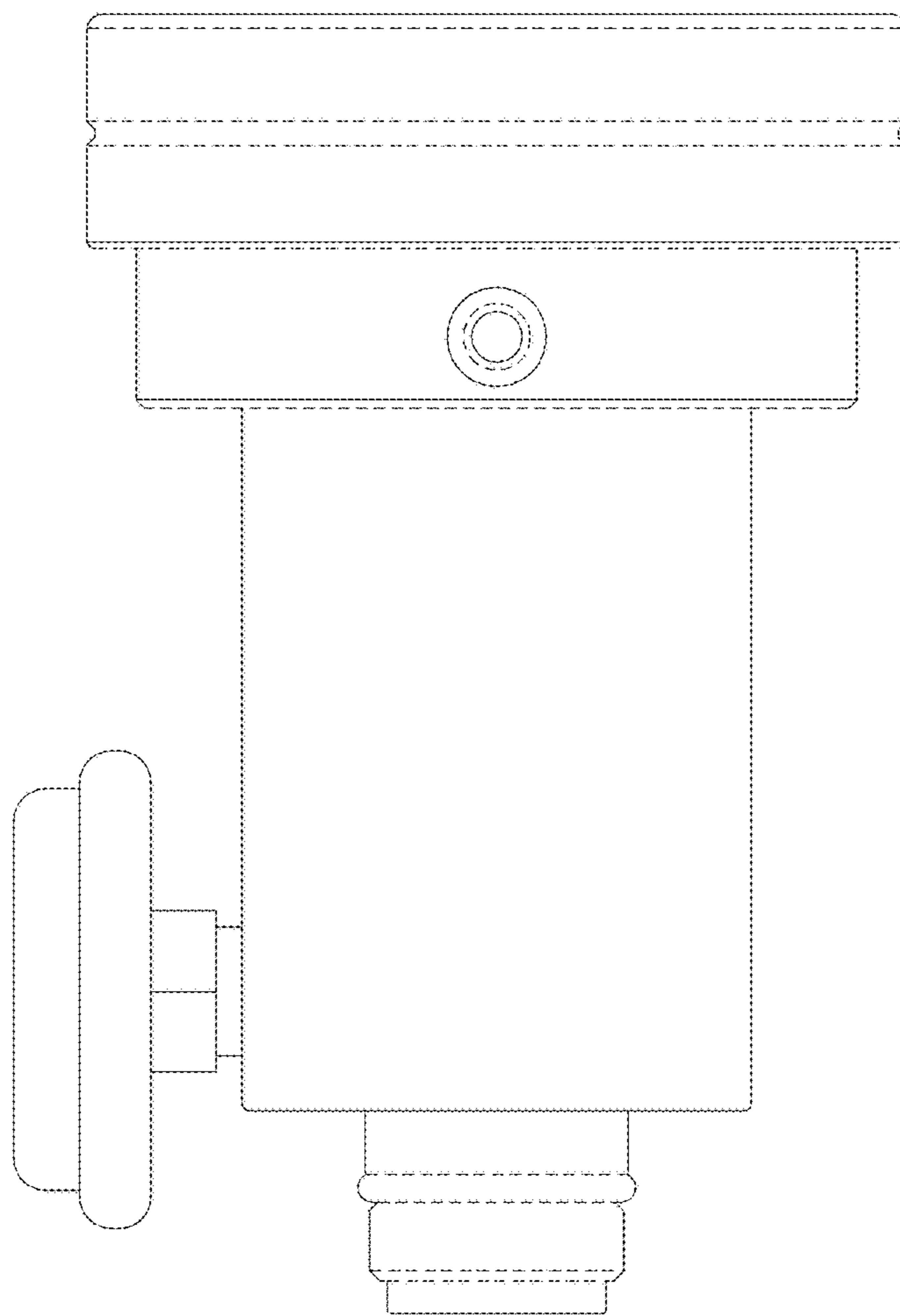


Fig. 2

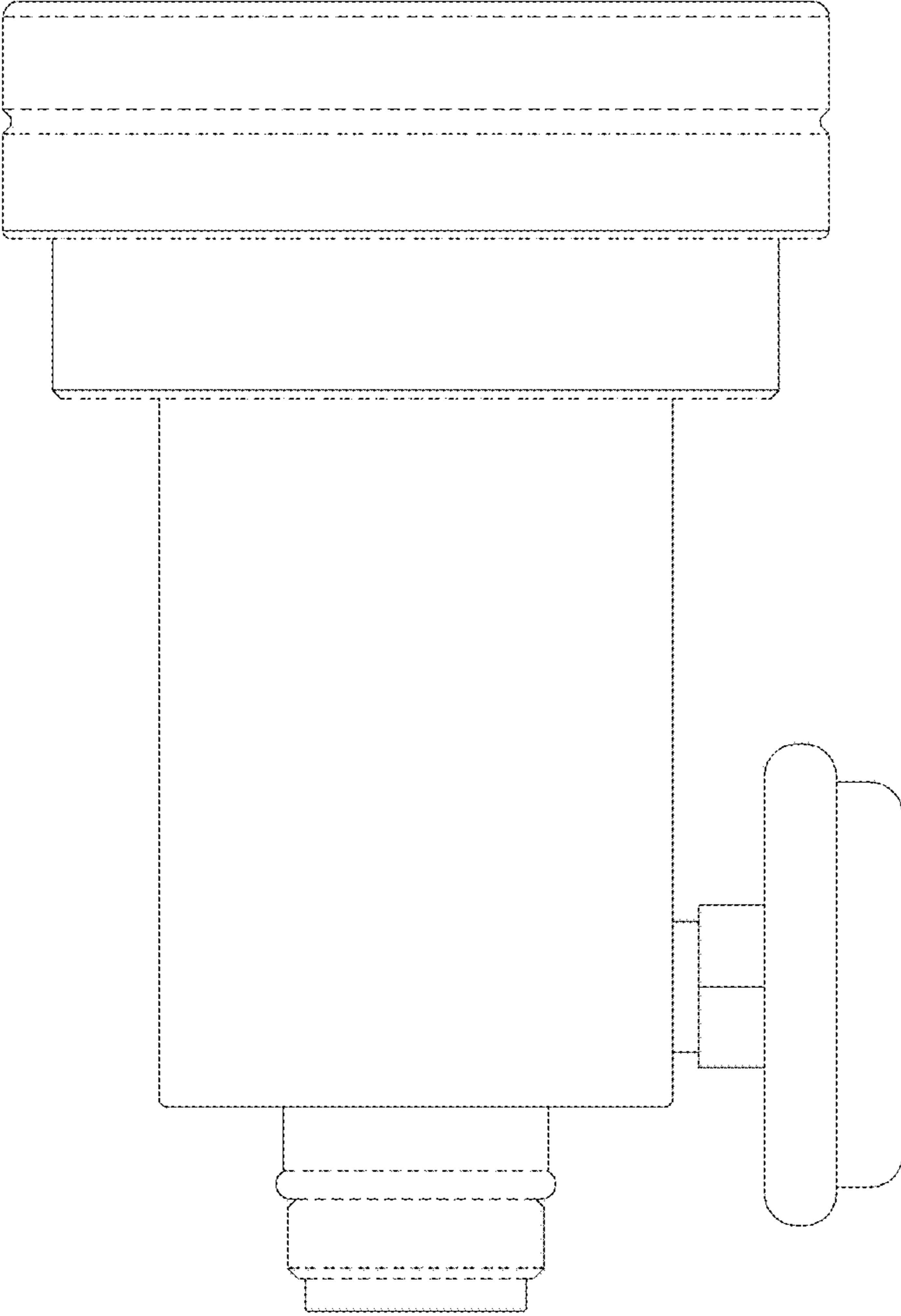


Fig. 3

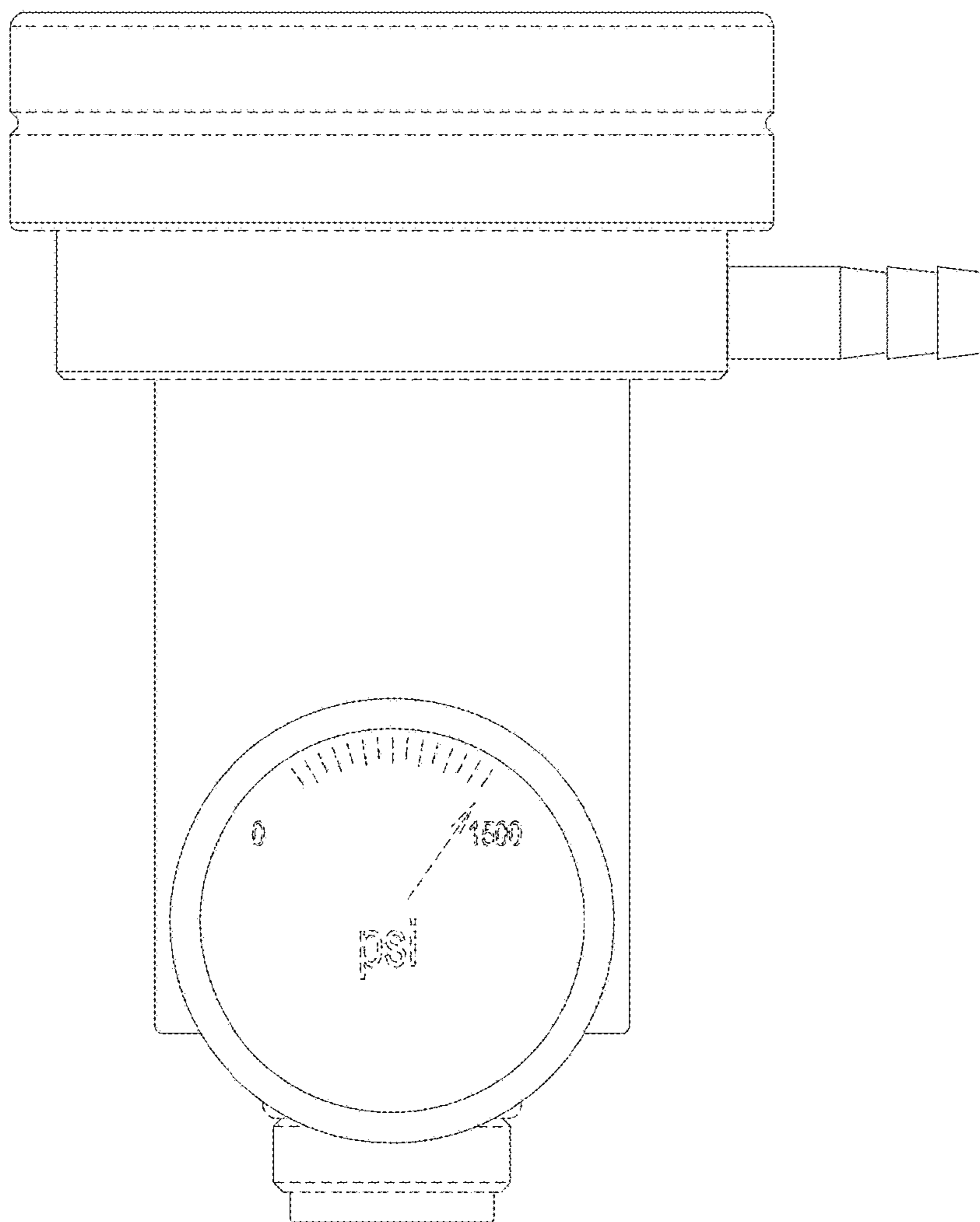


Fig. 4

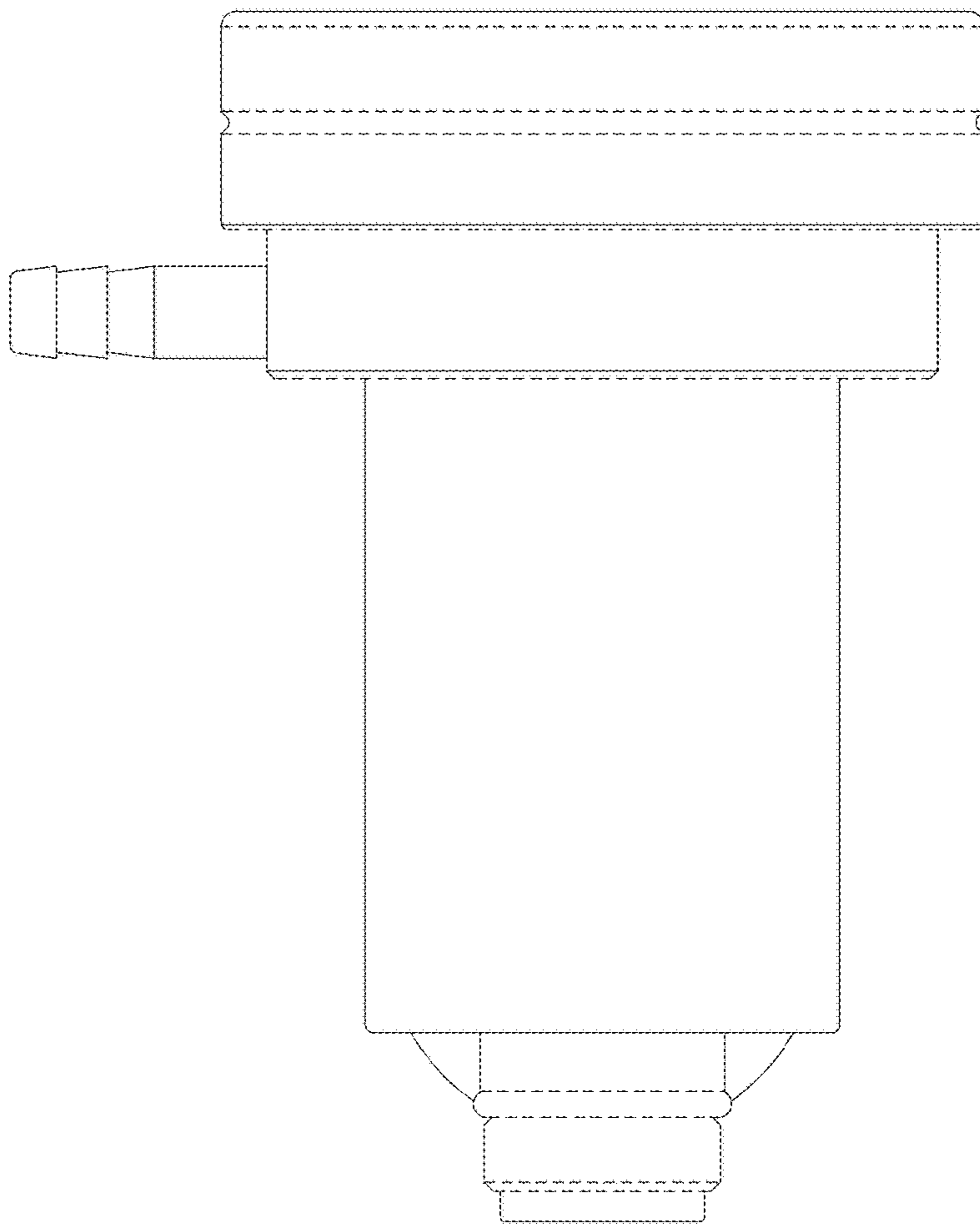


Fig. 5

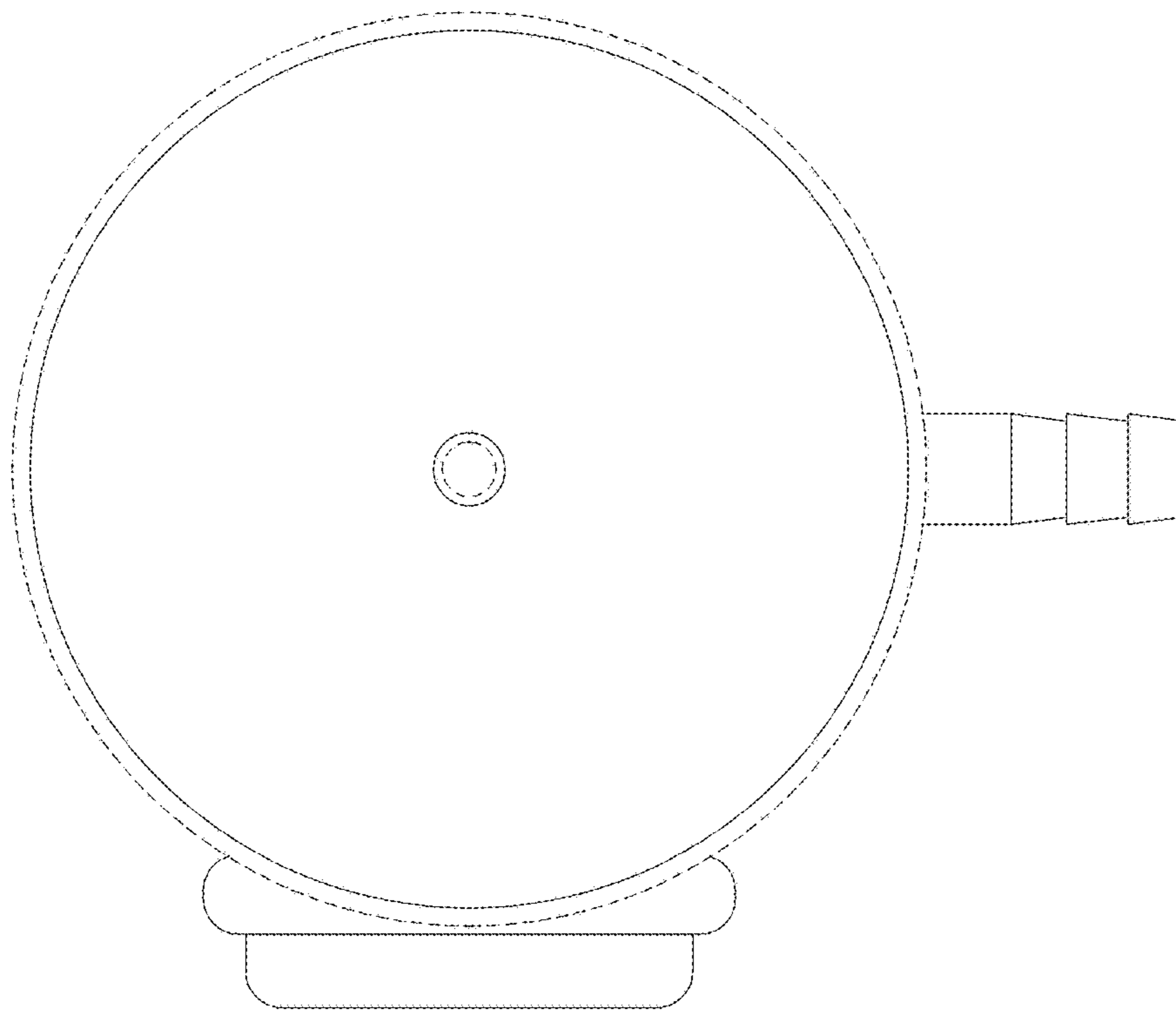


Fig. 6