

US00D850582S

(12) **United States Design Patent**
Weinberg

(10) **Patent No.:** **US D850,582 S**
(45) **Date of Patent:** **** Jun. 4, 2019**

(54) **HIGH-PRESSURE CLEANER SPRAYING GUN**

D768,263 S * 10/2016 Laber D23/226
D803,984 S * 11/2017 Tschopp D23/226
2012/0018534 A1* 1/2012 Gilpatrick B05B 7/0876
239/310

(71) Applicant: **Andreas Stihl AG & Co. KG**,
Waiblingen (DE)

(Continued)

(72) Inventor: **Andreas Weinberg**, Stuttgart (DE)

FOREIGN PATENT DOCUMENTS

(73) Assignee: **Andreas Stihl AG & Co. KG**,
Waiblingen (DE)

CN 303454267 * 11/2015

(**) Term: **15 Years**

(21) Appl. No.: **29/621,733**

(22) Filed: **Oct. 11, 2017**

OTHER PUBLICATIONS

STIHL high pressure washer posted by Lawncare Equipment posted date Feb. 18, 2017, © YouTube, [online], [site visited Jan. 3, 2018]. Available from Internet, <https://www.youtube.com/watch?v=A74f2jPkQDk> (Year: 2017).*

(Continued)

(30) **Foreign Application Priority Data**

Apr. 13, 2017 (EM) 003855378-0003

Primary Examiner — Cynthia Ramirez

Assistant Examiner — Laura H Yu

(51) **LOC (11) Cl.** **23-01**

(74) *Attorney, Agent, or Firm* — McGuireWoods LLP

(52) **U.S. Cl.**
USPC **D23/226; D23/223**

(57) **CLAIM**

I claim the ornamental design for a high-pressure cleaner spraying gun, as shown and described.

(58) **Field of Classification Search**
USPC D23/213, 223, 225, 226; 239/526
CPC B08B 3/026; B08B 3/028; B05B 7/0876;
B05B 9/007; B05B 1/18; B05B 9/01;
B05B 15/061; B05B 3/00; B05B 5/00;
A62C 31/03; A62C 31/02

DESCRIPTION

See application file for complete search history.

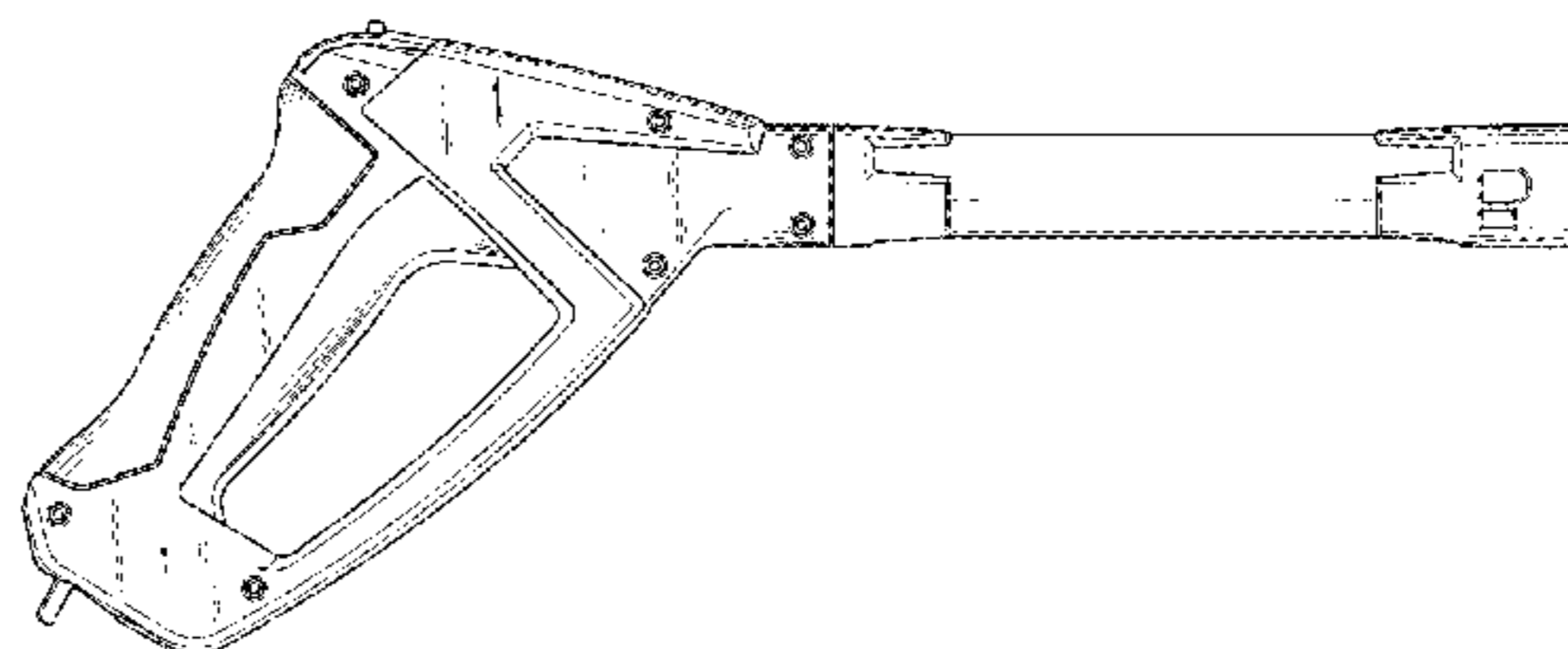
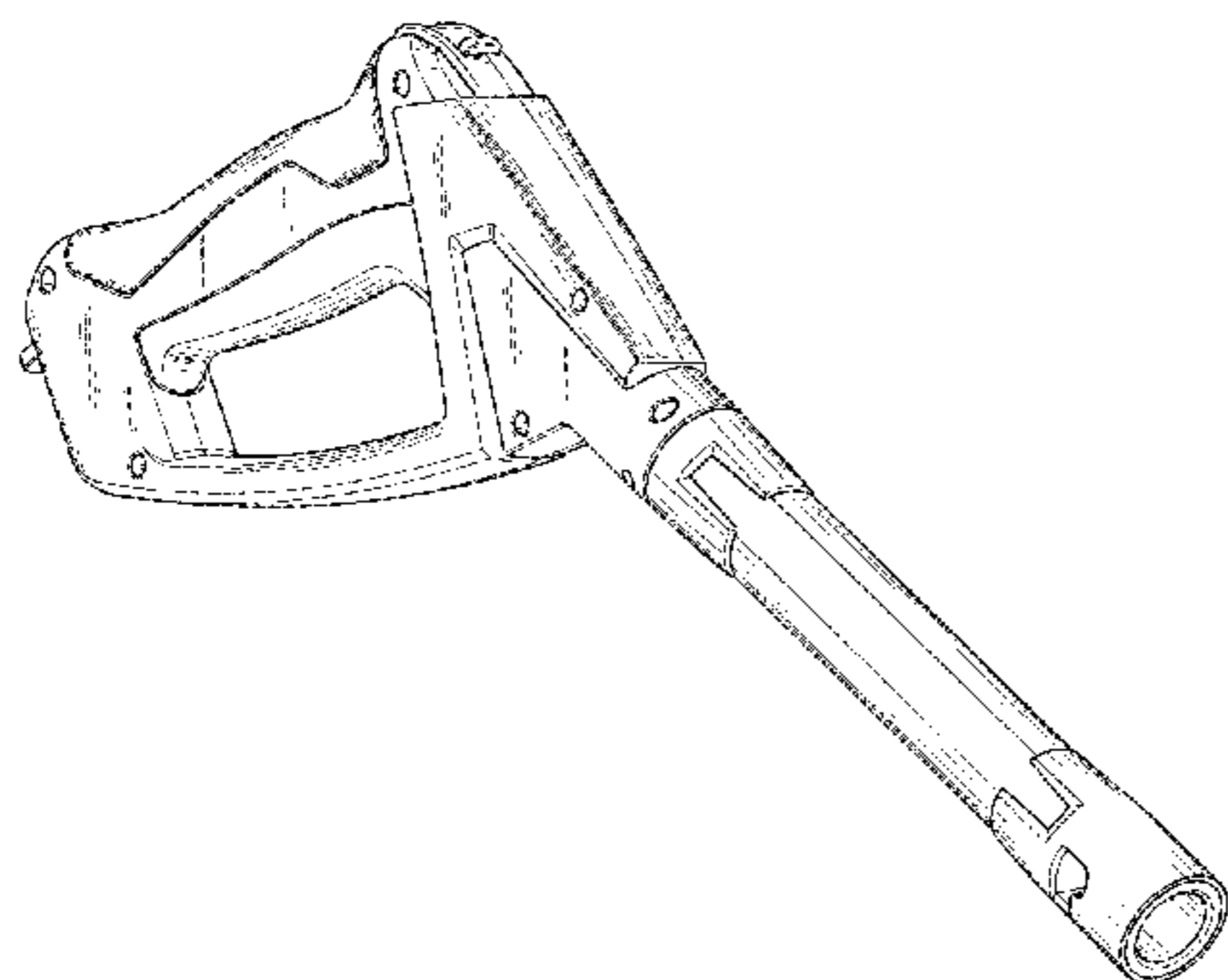
FIG. 1 is a left perspective view of the high-pressure cleaner spraying gun, showing my new design;
FIG. 2 is a left side view of the high-pressure cleaner spraying gun shown in FIG. 1;
FIG. 3 is a right side view of the high-pressure cleaner spraying gun shown in FIG. 1;
FIG. 4 is a top view of the high-pressure cleaner spraying gun shown in FIG. 1;
FIG. 5 is a bottom view of the high-pressure cleaner spraying gun shown in FIG. 1;
FIG. 6 is a rear view of the high-pressure cleaner spraying gun shown in FIG. 1; and,
FIG. 7 is a front view of the high-pressure cleaner spraying gun shown in FIG. 1.

(56) **References Cited**

U.S. PATENT DOCUMENTS

D346,647 S * 5/1994 Arnette D23/225
D571,434 S * 6/2008 Renner D23/223
D600,778 S * 9/2009 Meyer D23/226
D636,846 S * 4/2011 Shoemaker D23/213
D646,352 S * 10/2011 Krayner D23/226
8,425,203 B2 * 4/2013 Gardner B08B 3/026
417/234

1 Claim, 7 Drawing Sheets



(56)

References Cited

U.S. PATENT DOCUMENTS

2015/0174598 A1* 6/2015 Eschrich B08B 3/028
239/526
2015/0306614 A1* 10/2015 Pierce B05B 9/007
137/12
2016/0016207 A1* 1/2016 Horie B08B 3/026
134/174
2017/0232482 A1* 8/2017 Fischer B05B 12/008
239/71

OTHER PUBLICATIONS

Pressure Washer posted by Greenworks posted review date Mar. 26, 2017, © Amazon, [online], [site visited Jan. 3, 2018]. Available from Internet, <https://www.amazon.com/Greenworks-1500-Pressure-Washer-GPW1501> (Year: 2017).*

* cited by examiner

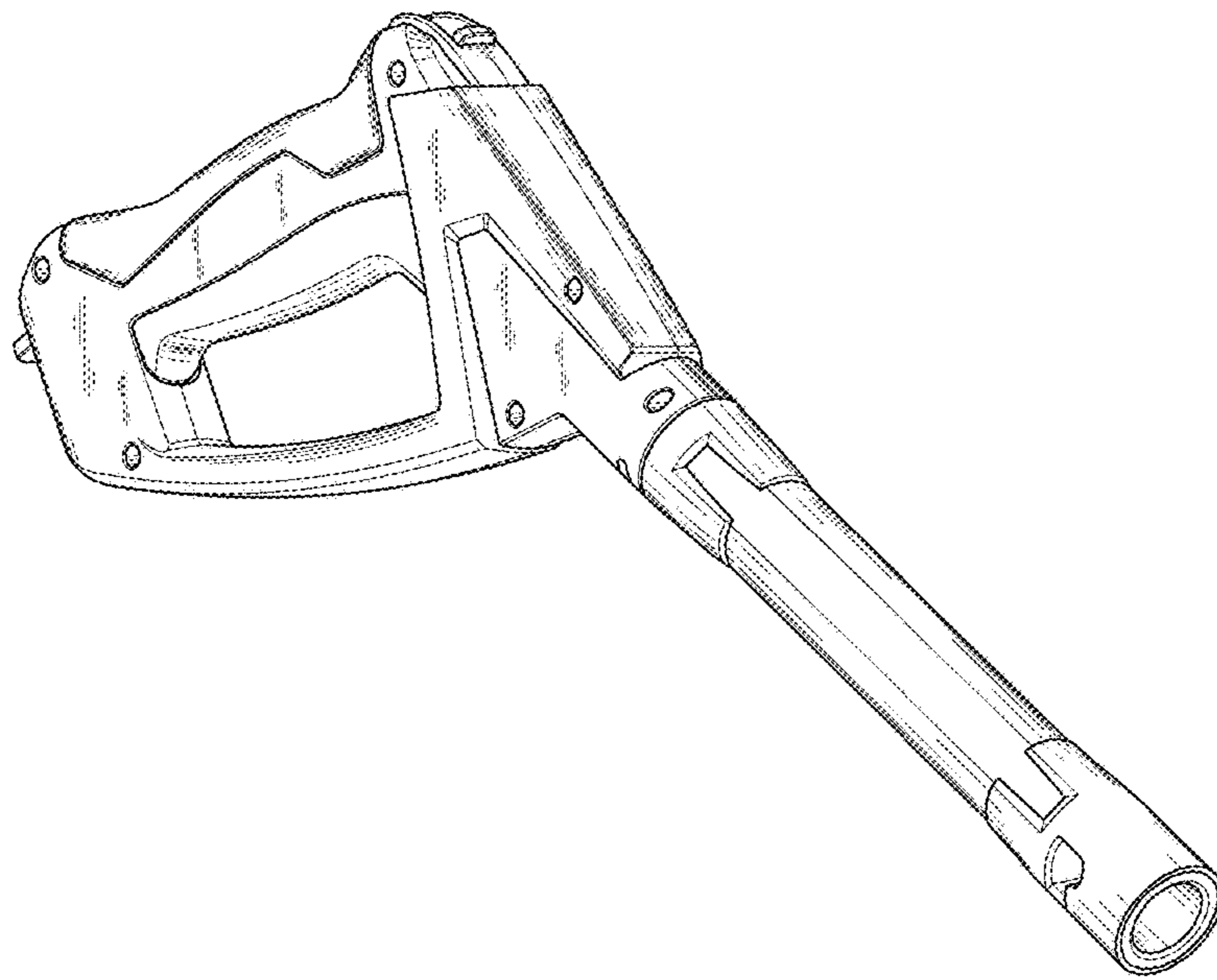


FIG. 1

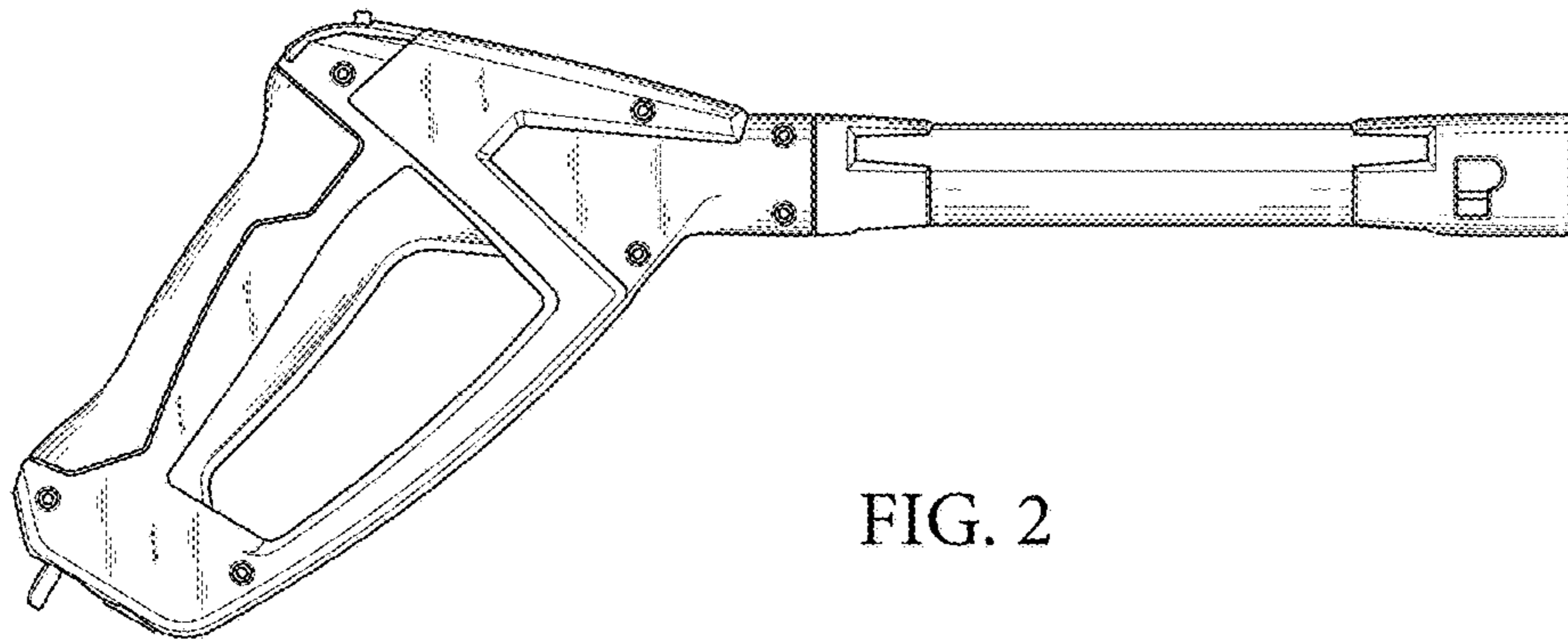


FIG. 2

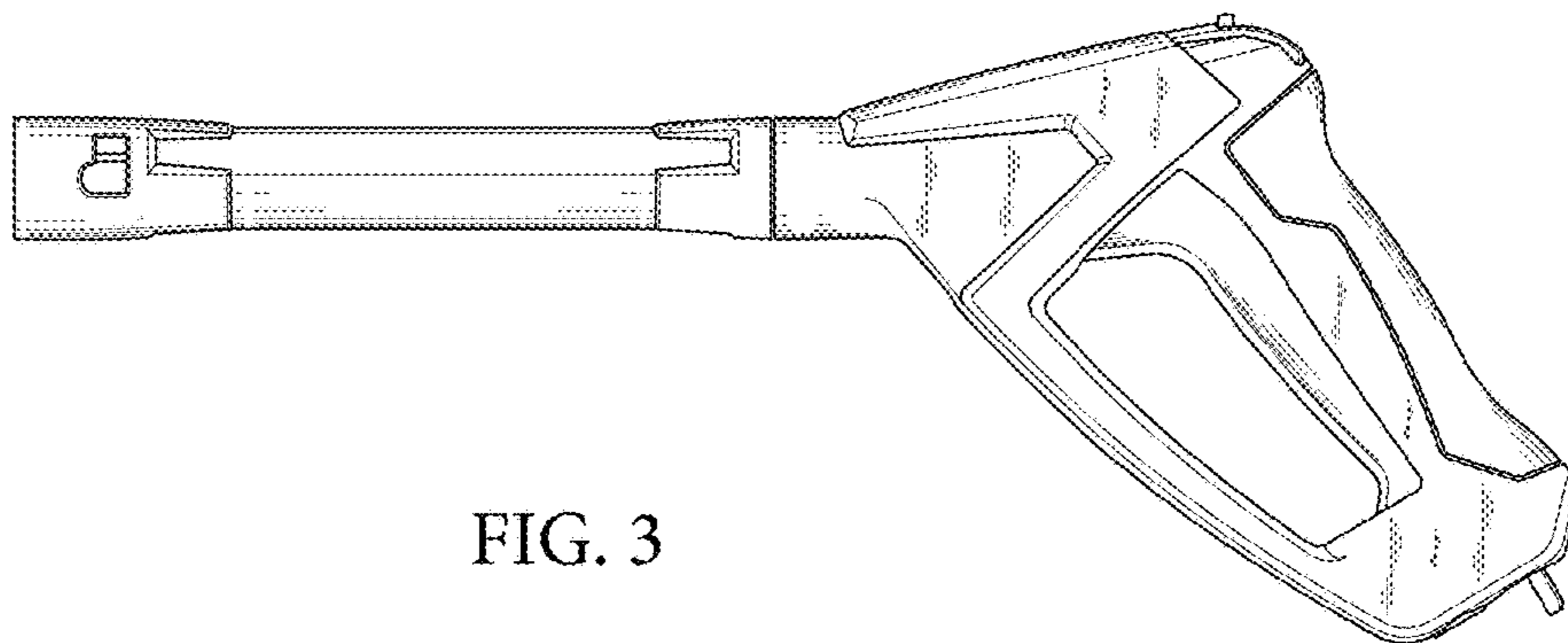


FIG. 3



FIG. 4

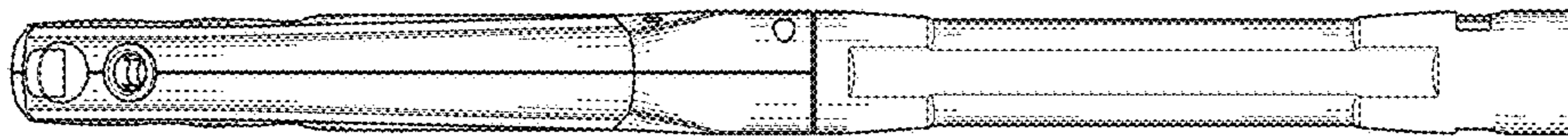


FIG. 5

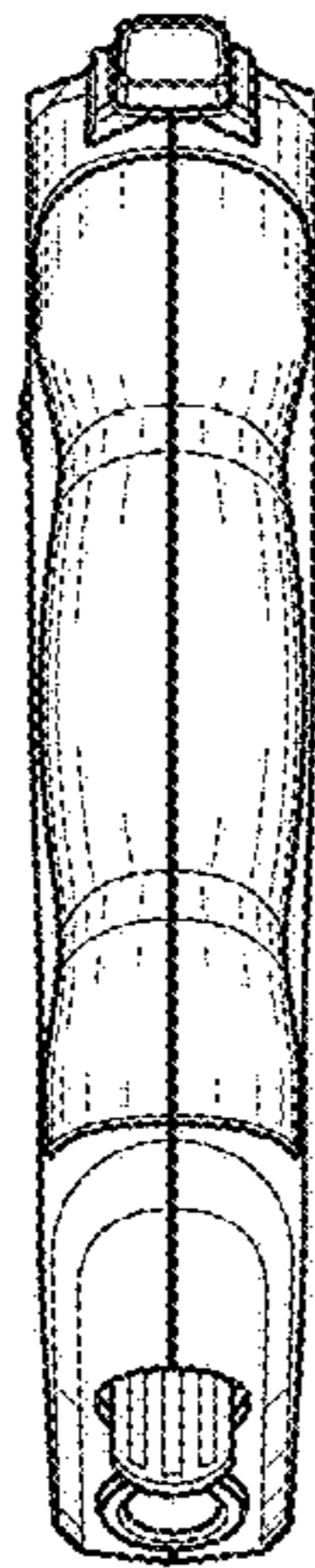


FIG. 6

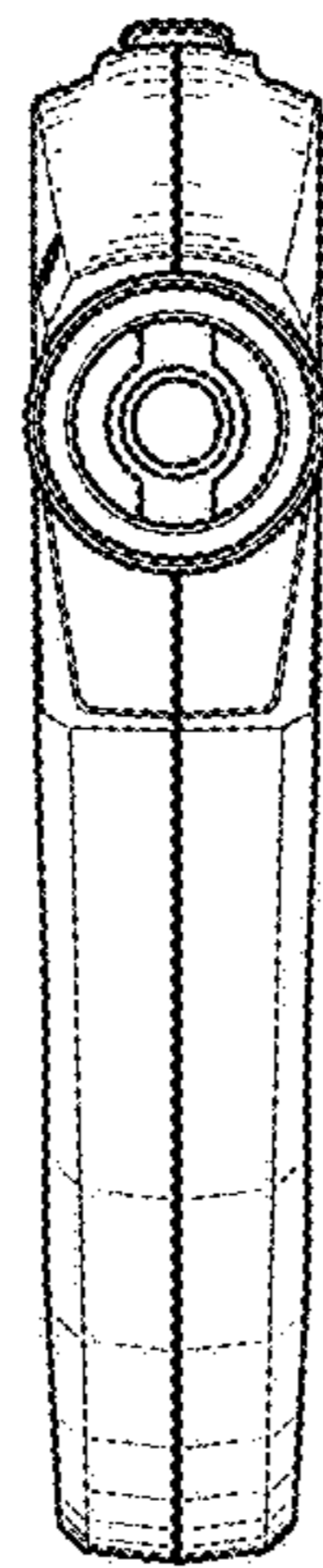


FIG. 7