



US00D850581S

(12) **United States Design Patent**
Mazur

(10) **Patent No.:** **US D850,581 S**
(45) **Date of Patent:** **** Jun. 4, 2019**

- (54) **FLUID SPRAYER HOPPER**
- (71) Applicant: **Wagner Spray Tech Corporation**,
Plymouth, MN (US)
- (72) Inventor: **Matthias Mazur**, Hamburg (DE)
- (73) Assignee: **Wagner Spray Tech Corporation**,
Plymouth, MN (US)
- (**) Term: **15 Years**
- (21) Appl. No.: **29/621,627**
- (22) Filed: **Oct. 10, 2017**
- (51) **LOC (11) Cl.** **23-01**
- (52) **U.S. Cl.**
USPC **D23/225**
- (58) **Field of Classification Search**
USPC D23/225; D15/13, 17; 239/302, 308,
239/323, 328
CPC .. B05B 7/24; B05B 9/08; B05B 17/00; B05B
7/1413; B05B 9/0883; B05B 7/2408;
B05B 7/241; A01M 7/0046; A01M
7/0035; A01C 15/02
See application file for complete search history.

6,933,634	B2	8/2005	Frank et al.	
D562,434	S *	2/2008	Kroll	D23/225
D654,567	S *	2/2012	Yamamoto	D23/225
D708,301	S *	7/2014	Jackson	D23/225
D719,638	S *	12/2014	Pagliai	D23/225
D725,742	S *	3/2015	Kennemer	D23/225
D760,809	S *	7/2016	Nicholson	D15/13
D761,937	S *	7/2016	Popek	D23/225
D809,097	S *	1/2018	Bates	B05B 1/1654 D23/225
D816,800	S *	5/2018	Tarter Garro	A01M 7/0046 D23/225
D824,428	S *	7/2018	Stewart	A01C 15/02 D15/13
D827,773	S *	9/2018	Schneider	A01C 15/02 D23/225

* cited by examiner

Primary Examiner — Robin V Webster
(74) *Attorney, Agent, or Firm* — Christopher J. Volkman; Kelly, Holt & Christenson, PLLC

(57) **CLAIM**

The ornamental design for a fluid sprayer hopper, as shown and described.

DESCRIPTION

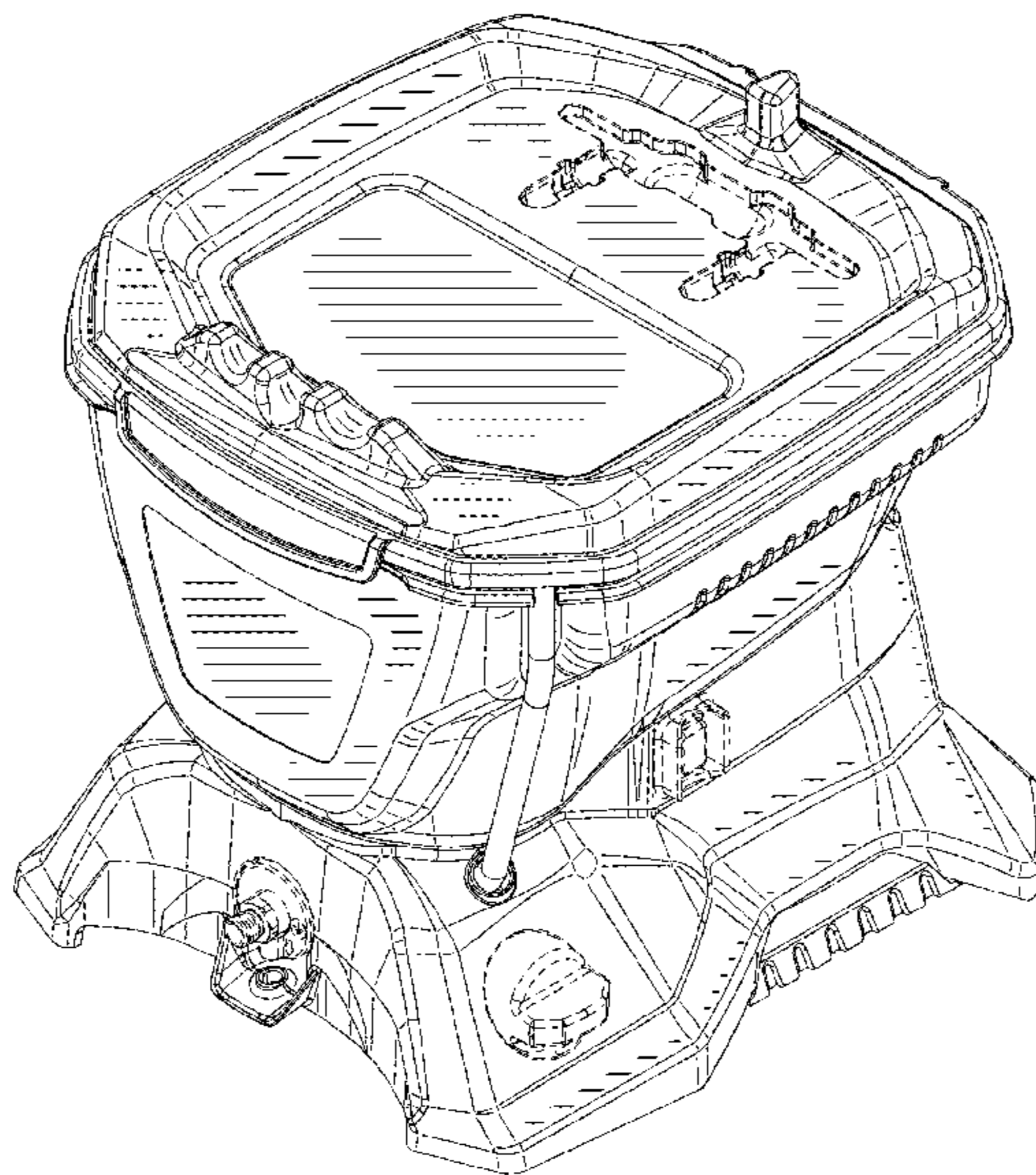
FIG. 1 is a perspective view of the fluid sprayer hopper. FIG. 2 is a front view of the fluid sprayer hopper. FIG. 3 is a back view of the fluid sprayer hopper. FIG. 4 is a left side view of the fluid sprayer hopper. FIG. 5 is a right side view of the fluid sprayer hopper; and, FIG. 6 is a top view of the fluid sprayer hopper. The bottom of the fluid sprayer hopper is devoid of surface ornamentation. The broken lines in the drawings illustration portions of the fluid sprayer hopper which form no part of the claimed design.

1 Claim, 6 Drawing Sheets

(56) **References Cited**

U.S. PATENT DOCUMENTS

2,043,318	A *	6/1936	Conley	A01C 15/02 111/7.1
5,150,837	A *	9/1992	Ferrari	A01M 7/0046 222/175
5,255,846	A *	10/1993	Ortega	B05B 1/1654 239/103
D346,851	S *	5/1994	Howe	D23/225
6,089,477	A *	7/2000	Dillon	A01C 15/02 239/153
D432,372	S *	10/2000	Laciofano	D23/225



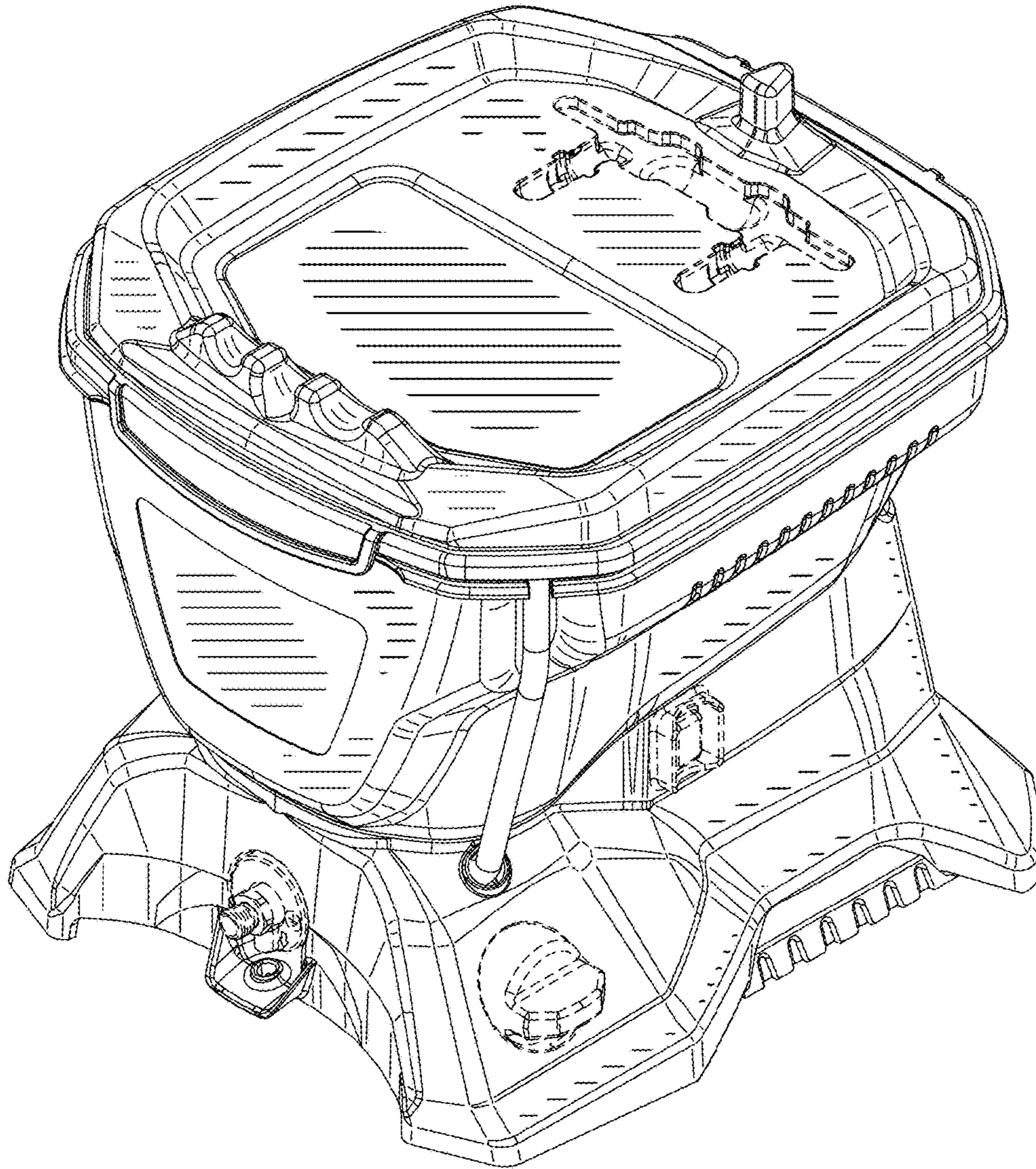


FIG. 1

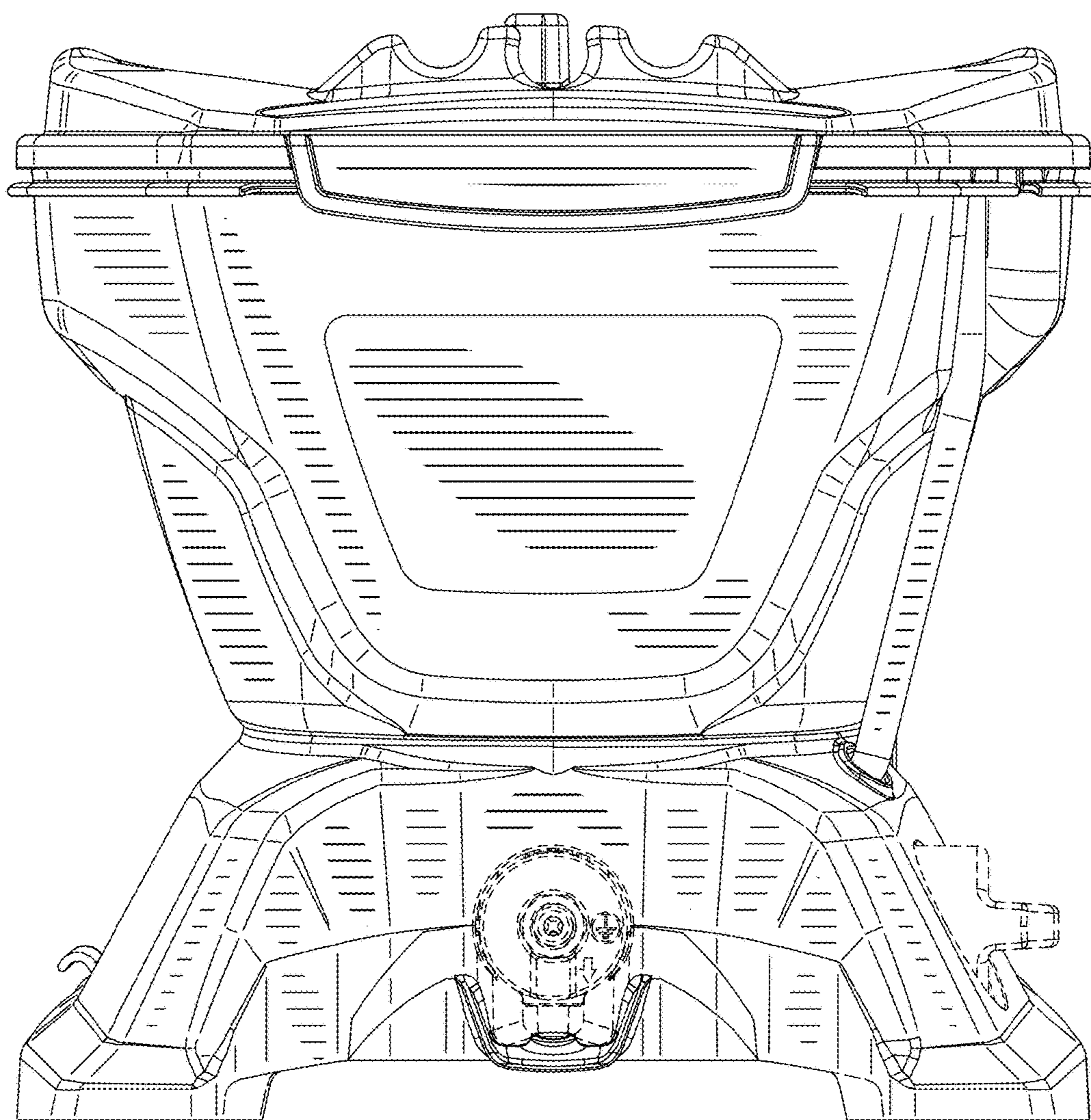


FIG. 2

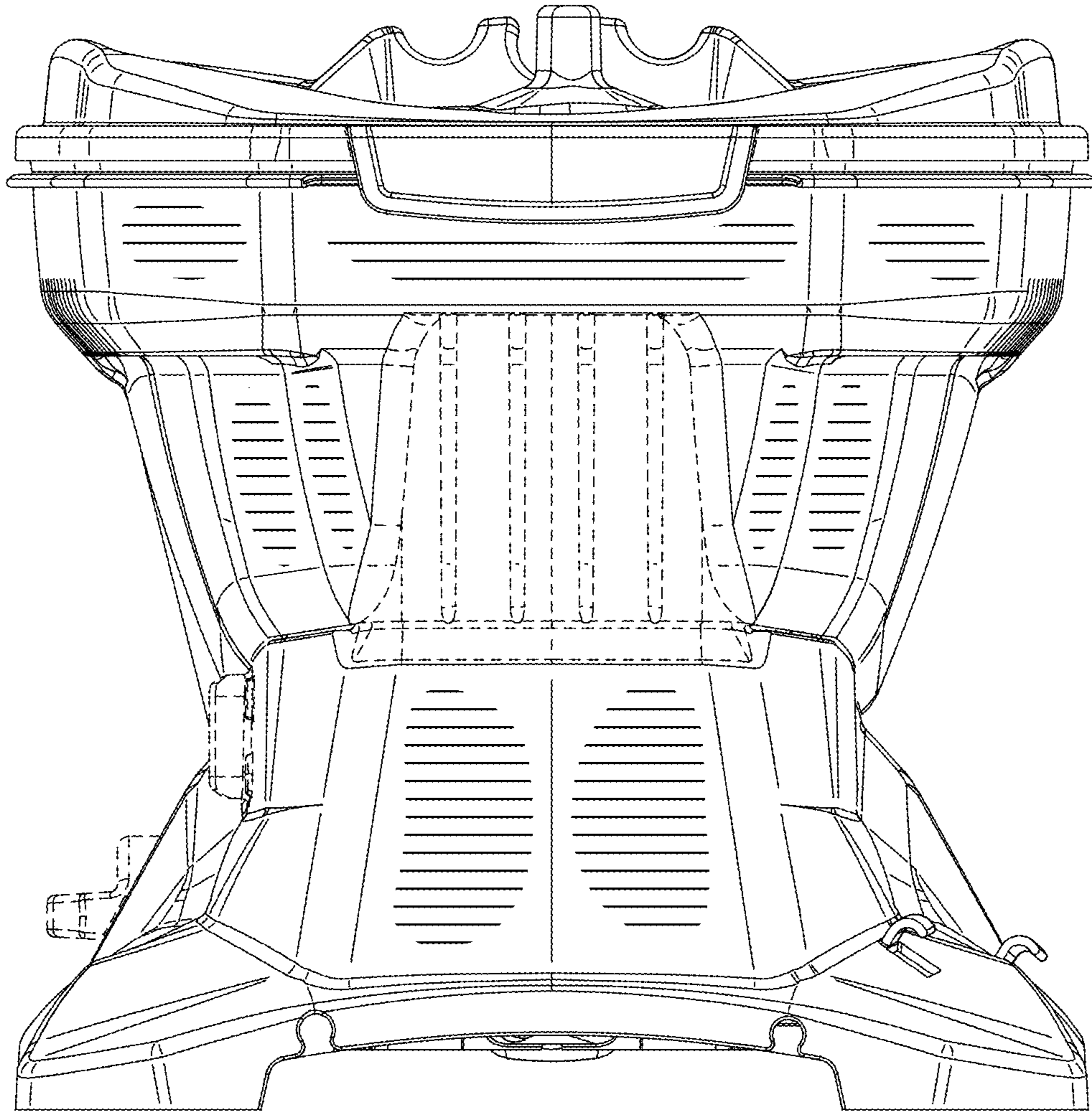


FIG. 3

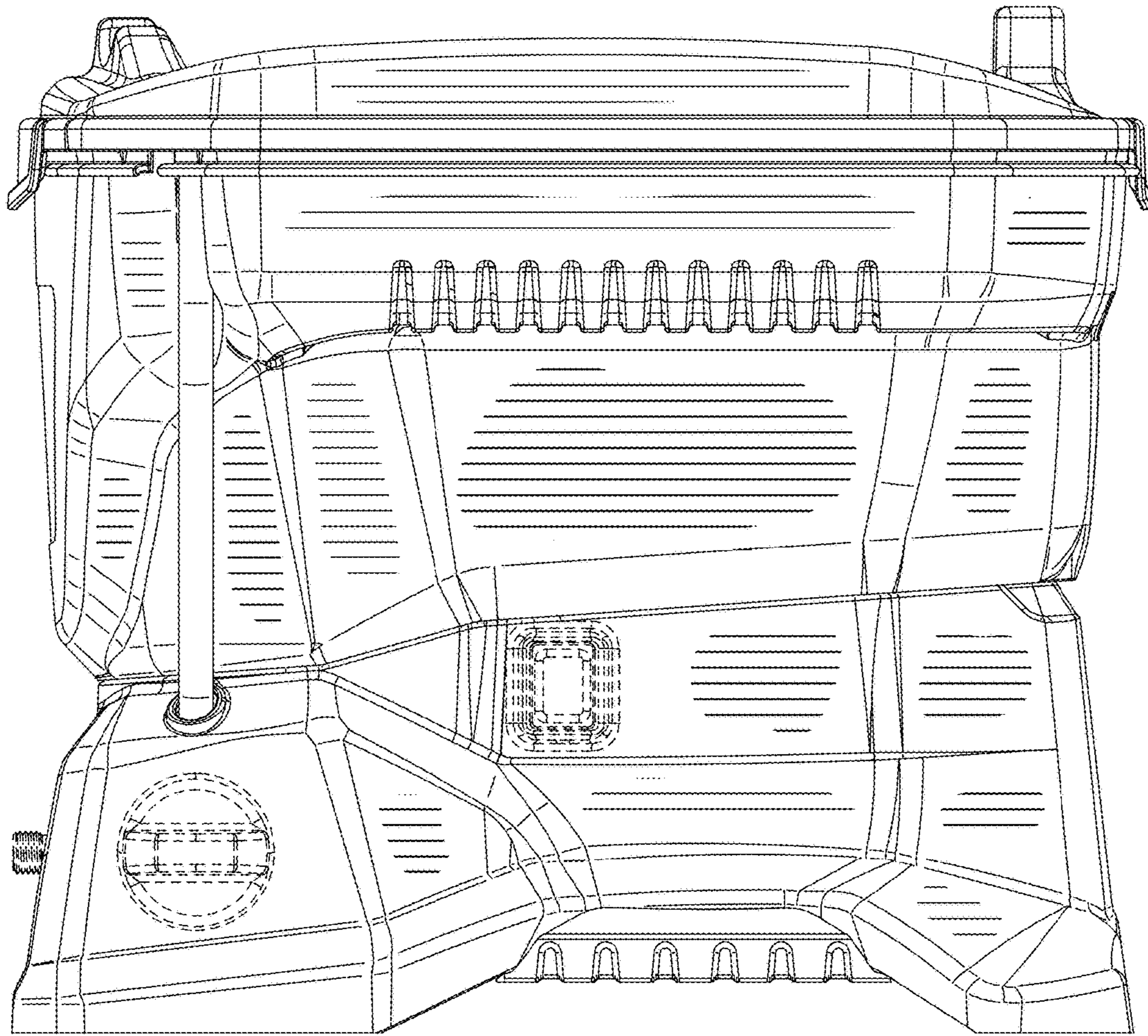


FIG. 4

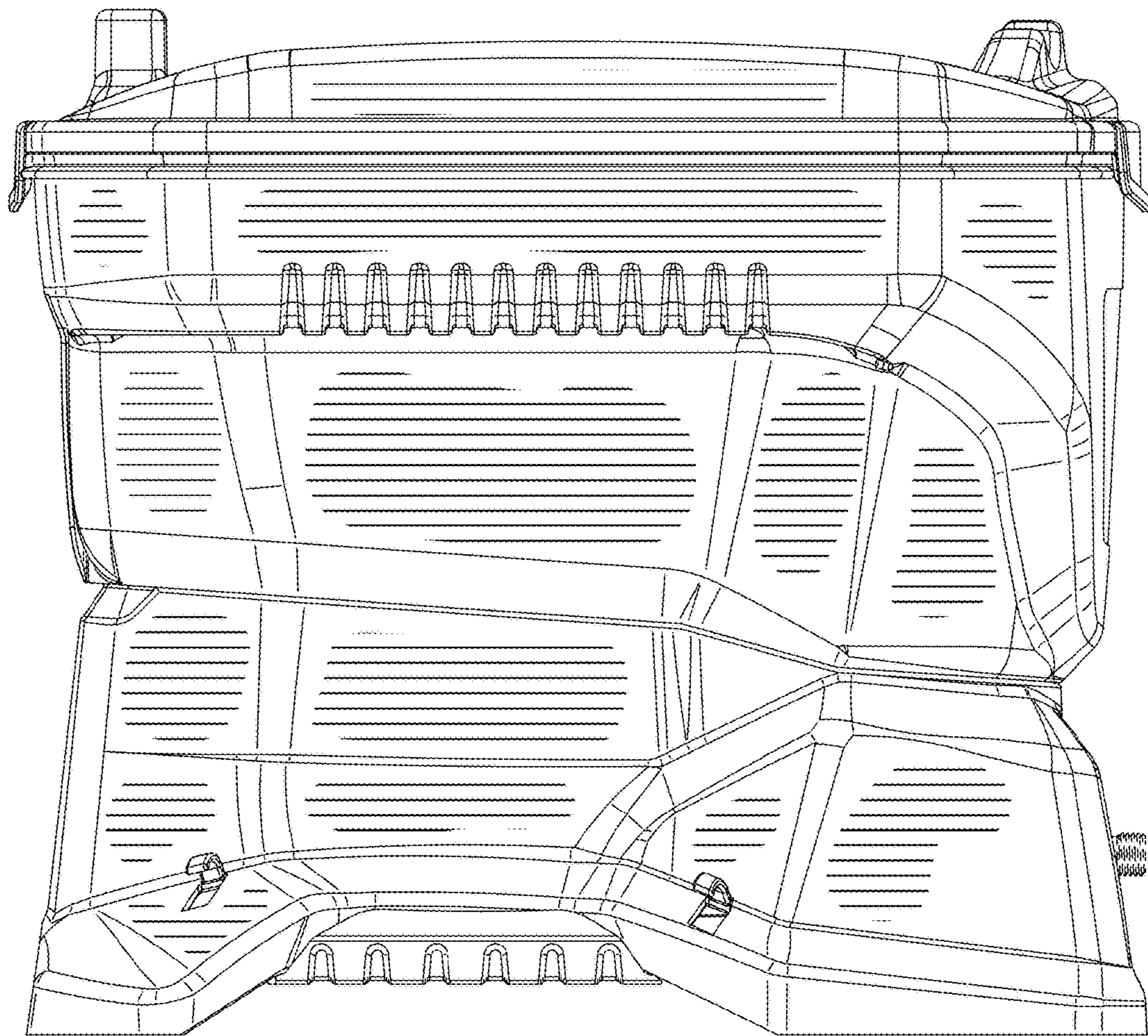


FIG. 5

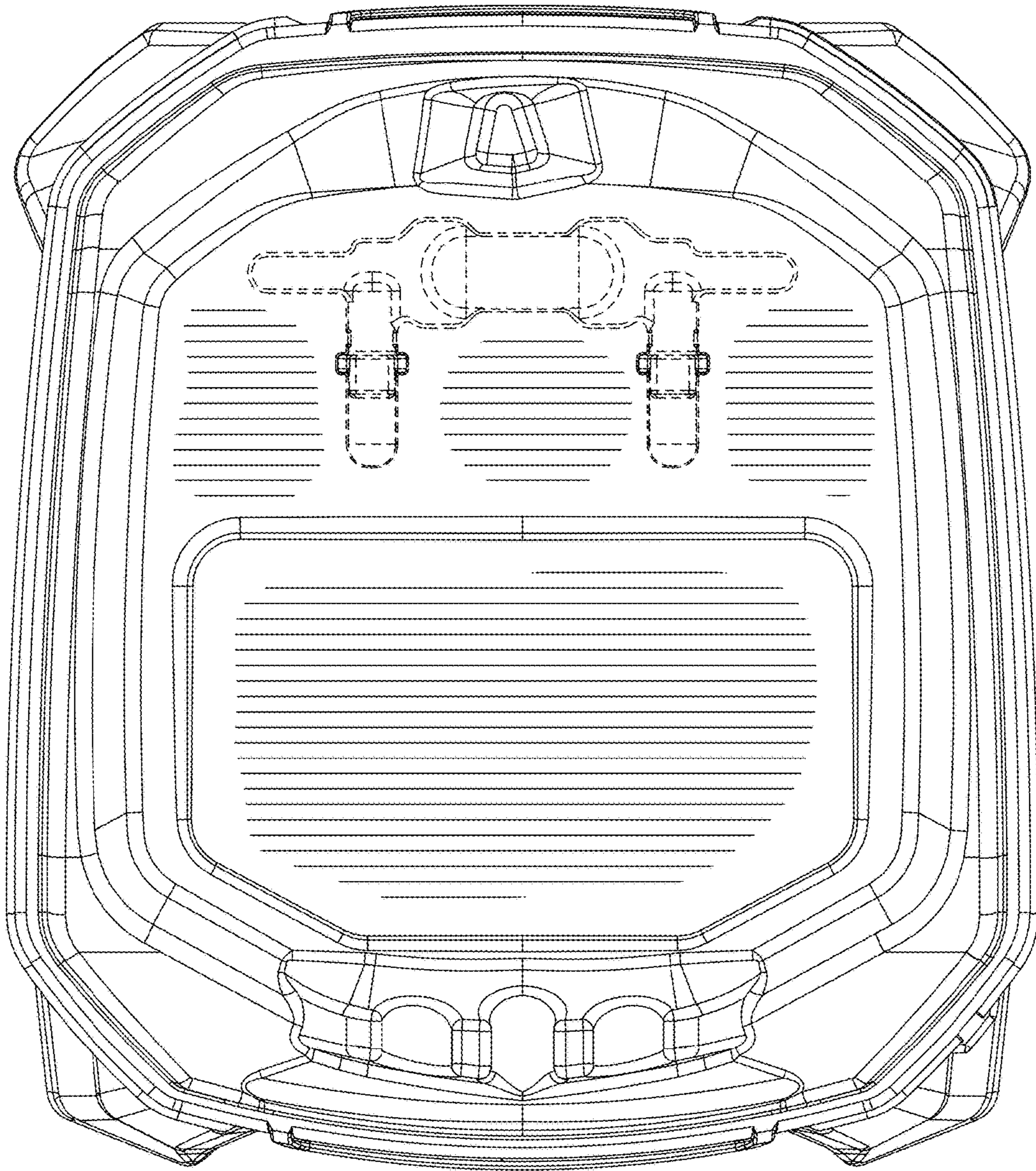


FIG. 6