



US00D850580S

(12) **United States Design Patent**
Hooper

(10) **Patent No.:** **US D850,580 S**

(45) **Date of Patent:** **** Jun. 4, 2019**

(54) **FUEL SPIGOT**

(71) Applicant: **Fuel Worx, LLC**, Bentonville, AR (US)

(72) Inventor: **Timothy W. Hooper**, Bentonville, AR (US)

(73) Assignee: **Fuelworx, LLC**, Bentonville, AR (US)

(**) Term: **15 Years**

(21) Appl. No.: **29/584,811**

(22) Filed: **Nov. 17, 2016**

(51) **LOC (11) Cl.** **23-01**

(52) **U.S. Cl.**
USPC **D23/213**; D23/211.2; D9/447

(58) **Field of Classification Search**
USPC D23/211, 211.1, 211.2, 213, 223, 224, D23/226, 231, 249, 255, 257, 260, 262, D23/263, 266; D9/435, 447
CPC ... B67D 5/37; B67D 7/50; F16L 37/00; F16L 37/46; F17C 13/12; F17C 2205/0376
See application file for complete search history.

(56) **References Cited**

U.S. PATENT DOCUMENTS

1,266,396 A	5/1918	Brown	
3,658,204 A	4/1972	Bottger	
3,727,807 A	4/1973	Flider	
3,739,938 A	6/1973	Paz	
D238,970 S *	2/1976	Baum	D24/113
4,722,463 A	2/1988	Anderson	
D308,411 S *	6/1990	Allemann	D23/229
D314,513 S *	2/1991	Hardin	D23/229
D318,233 S *	7/1991	Ackerman	D9/434
D327,847 S *	7/1992	Willems	D9/434
D350,386 S *	9/1994	Dotson	D23/223
5,615,809 A	4/1997	Feer	
5,669,526 A	9/1997	Keyfauber	

5,823,345 A	10/1998	Nask	
6,230,892 B1	5/2001	Przytulla	
6,352,167 B1	3/2002	Yu	
6,364,178 B1	4/2002	Paczonay	
6,401,752 B1	6/2002	Blackbourn	
6,588,612 B1	7/2003	Dorn	
6,719,161 B1	4/2004	Craig	
7,040,509 B2	5/2006	McLelland	
7,128,108 B2	10/2006	Nielsen	
D535,721 S *	1/2007	Ford	D23/213
7,455,281 B2	11/2008	Craft	
7,513,395 B2	4/2009	Labinski	
D609,091 S *	2/2010	Dubach	D9/438
8,113,239 B2	2/2012	Richards	
D667,530 S *	9/2012	Wyne	D23/213
D687,923 S *	8/2013	Jung	D23/211.2
D790,341 S *	6/2017	Ross	D9/447
D792,214 S *	7/2017	Kerill	D9/442
D805,611 S *	12/2017	Rexach	D23/257
D828,489 S *	9/2018	Lee	D23/213
2006/0131334 A1	6/2006	Carlson	
2007/0045213 A1	3/2007	Voss et al.	
2007/0114200 A1	5/2007	Lane	
2009/0266782 A1	10/2009	Lane	

(Continued)

Primary Examiner — Keli L Hill

(74) *Attorney, Agent, or Firm* — Stephen D. Carver

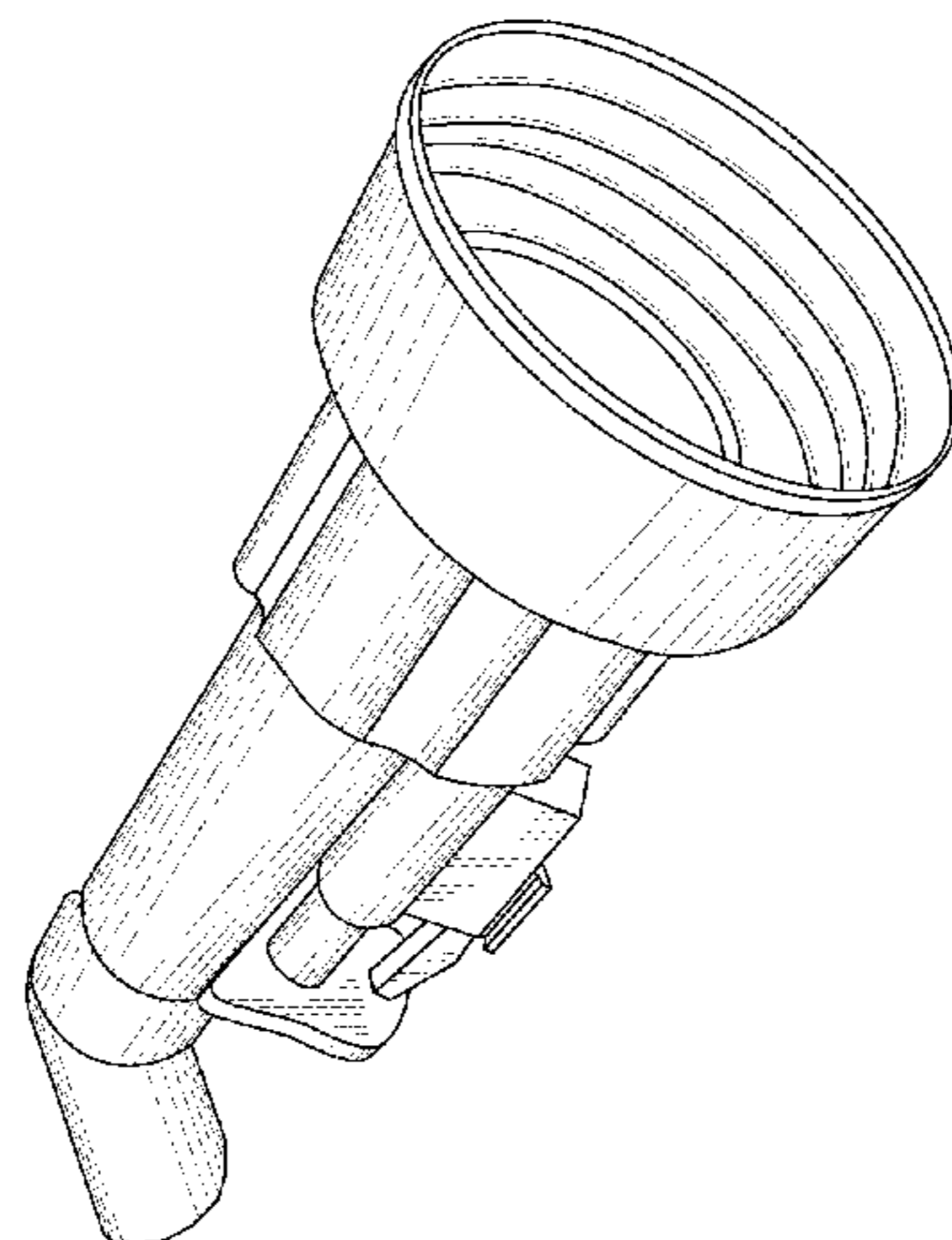
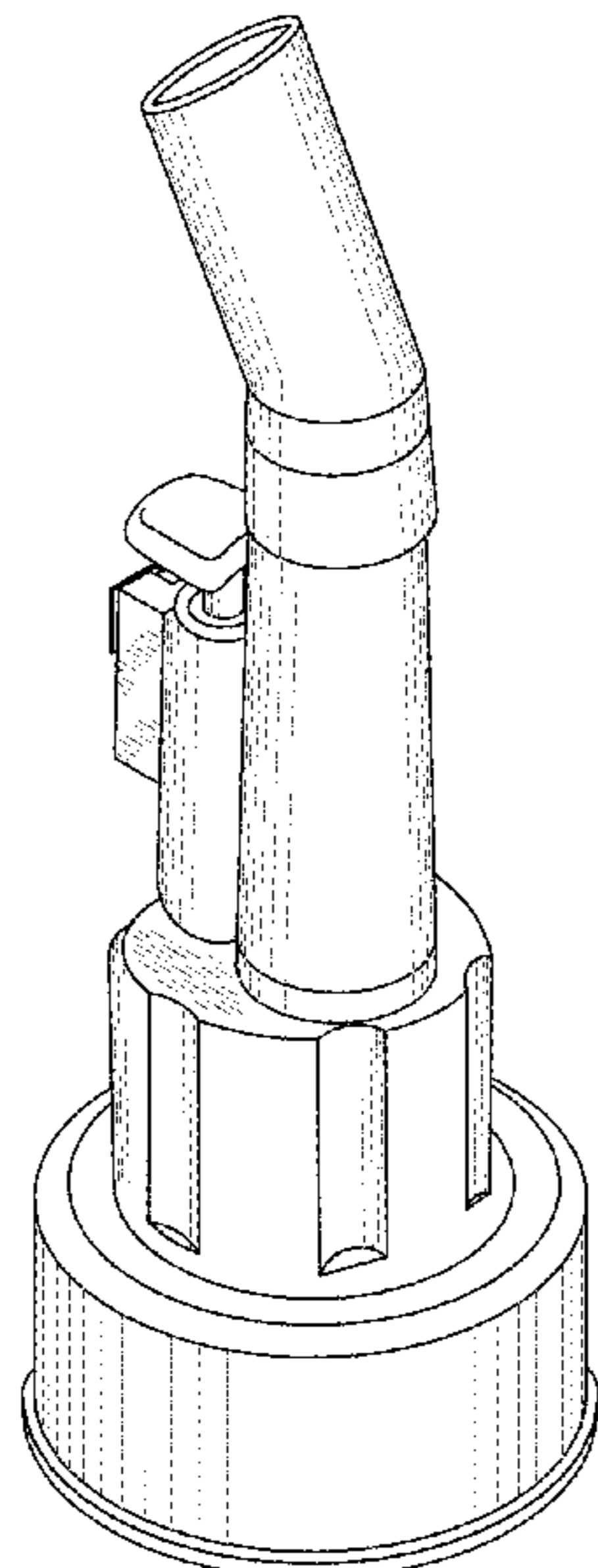
(57) **CLAIM**

The ornamental design for a fuel spigot, as shown and described.

DESCRIPTION

FIG. 1 is a rear isometric view showing my new design; FIG. 2 is a bottom isometric view thereof; FIG. 3 is a right side elevational view thereof; FIG. 4 is a left side elevational view thereof; FIG. 5 is a rear plan view thereof; FIG. 6 is a front plan view thereof; and, FIG. 7 is a top plan view thereof.

1 Claim, 7 Drawing Sheets



(56)

References Cited

U.S. PATENT DOCUMENTS

2011/0204051	A1	8/2011	Pawl
2011/0220530	A1	9/2011	Weissbrod
2012/0055833	A1	3/2012	Thibault
2012/0261297	A1	10/2012	Eble
2013/0213846	A1	8/2013	Hendrickson

* cited by examiner

FIG. 1

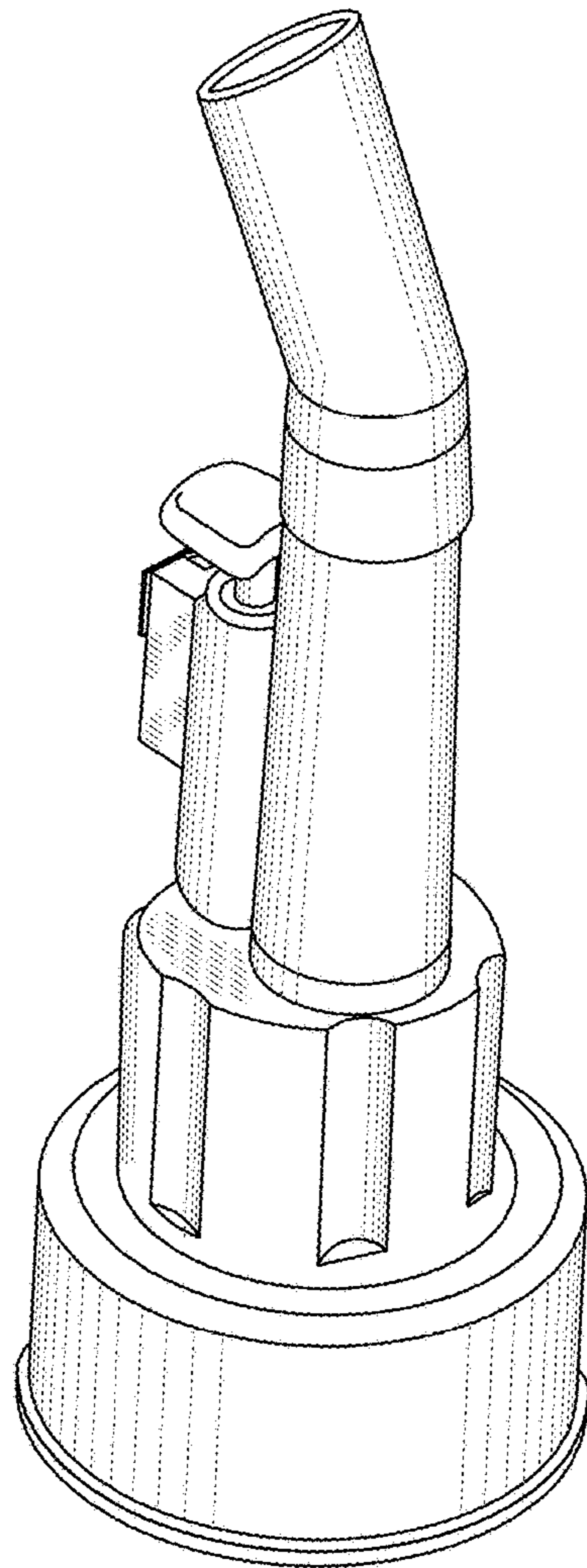


FIG. 2

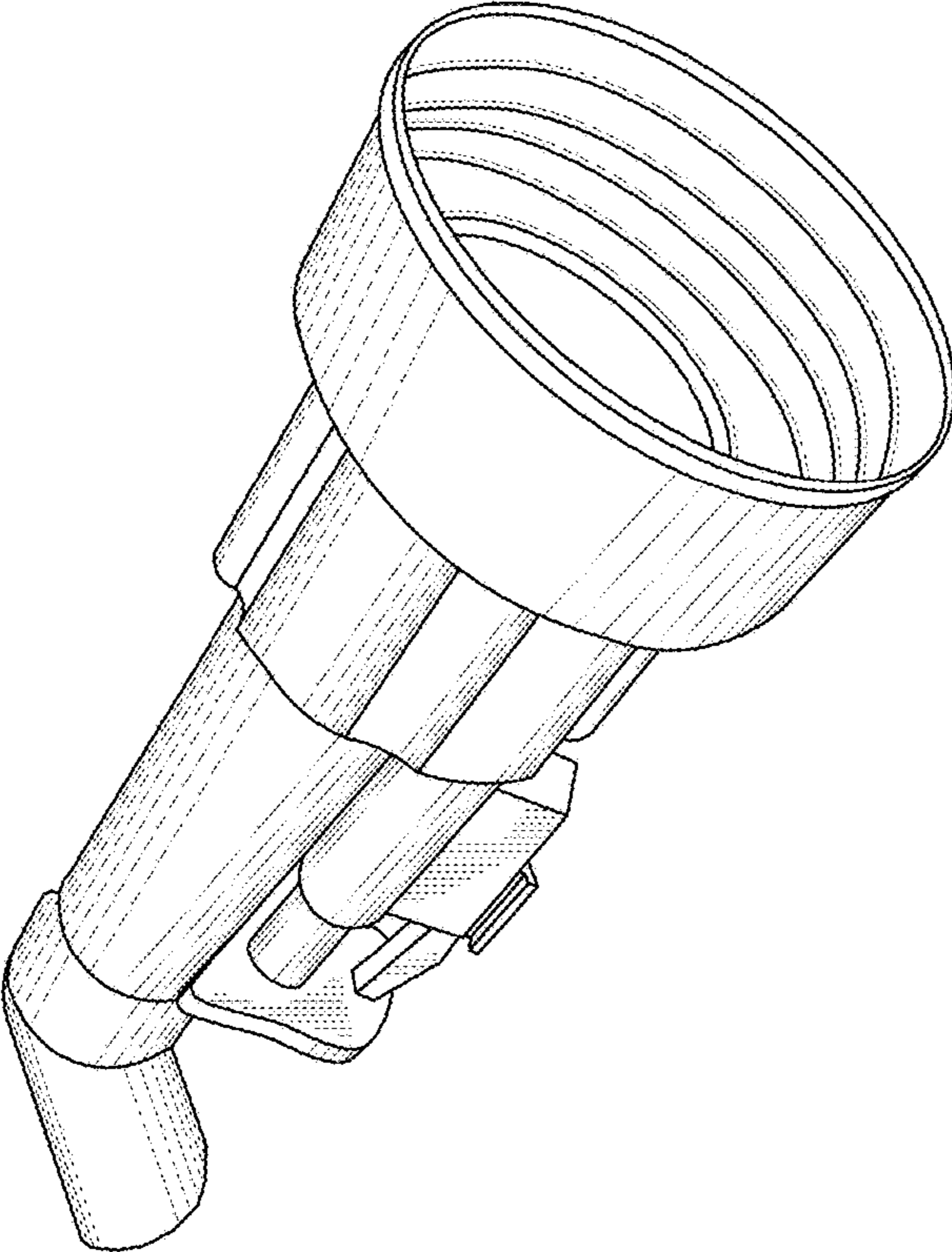


FIG. 3

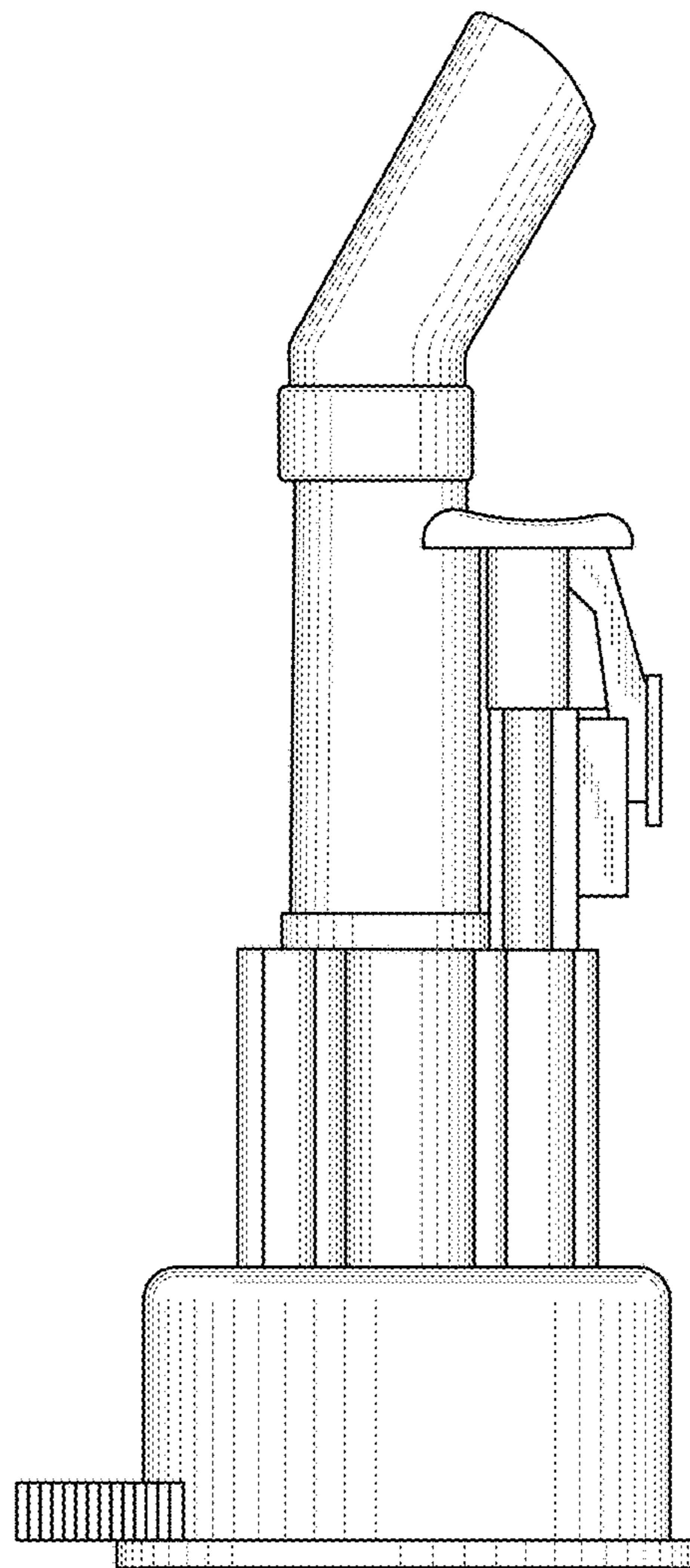


FIG. 4

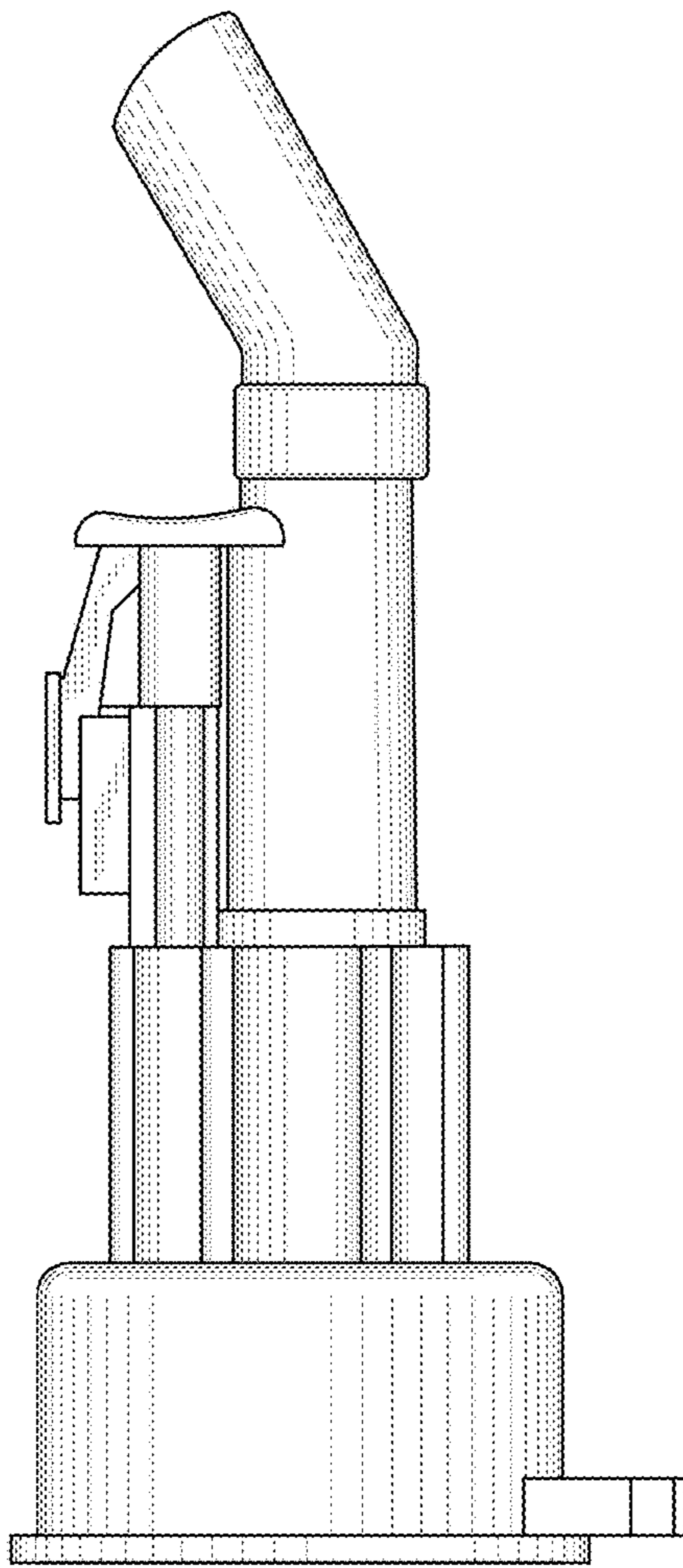


FIG. 5

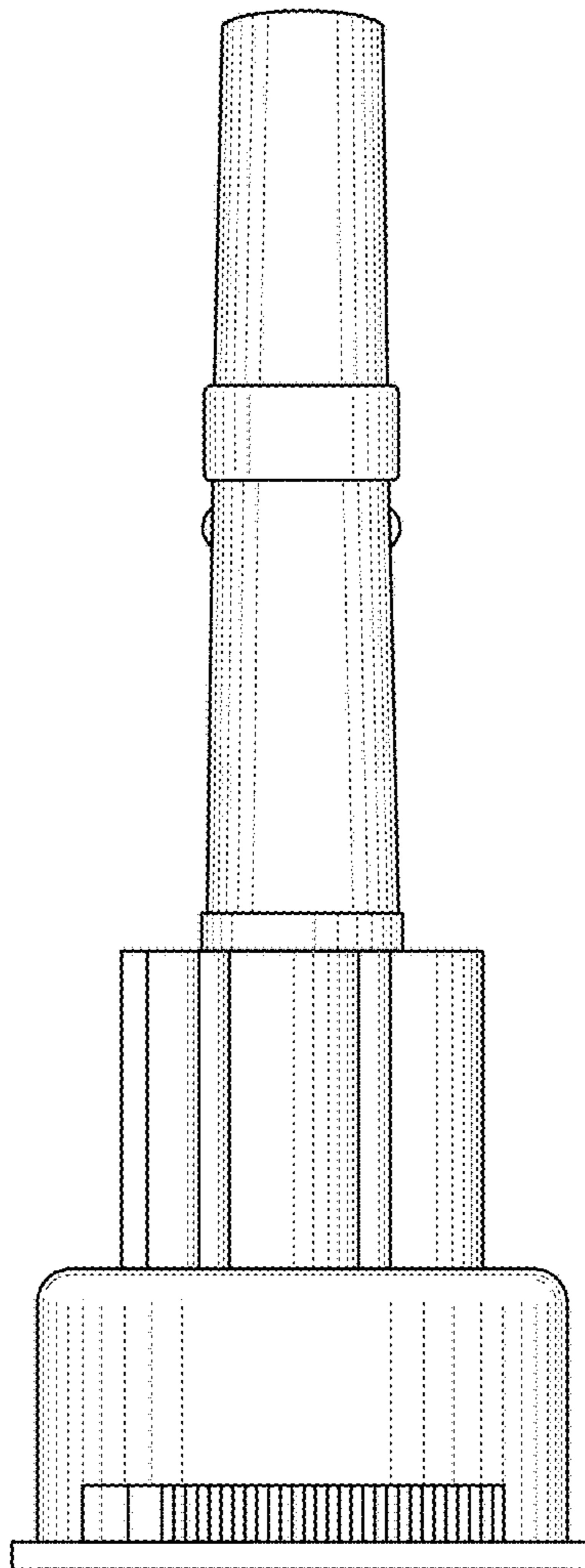


FIG. 6

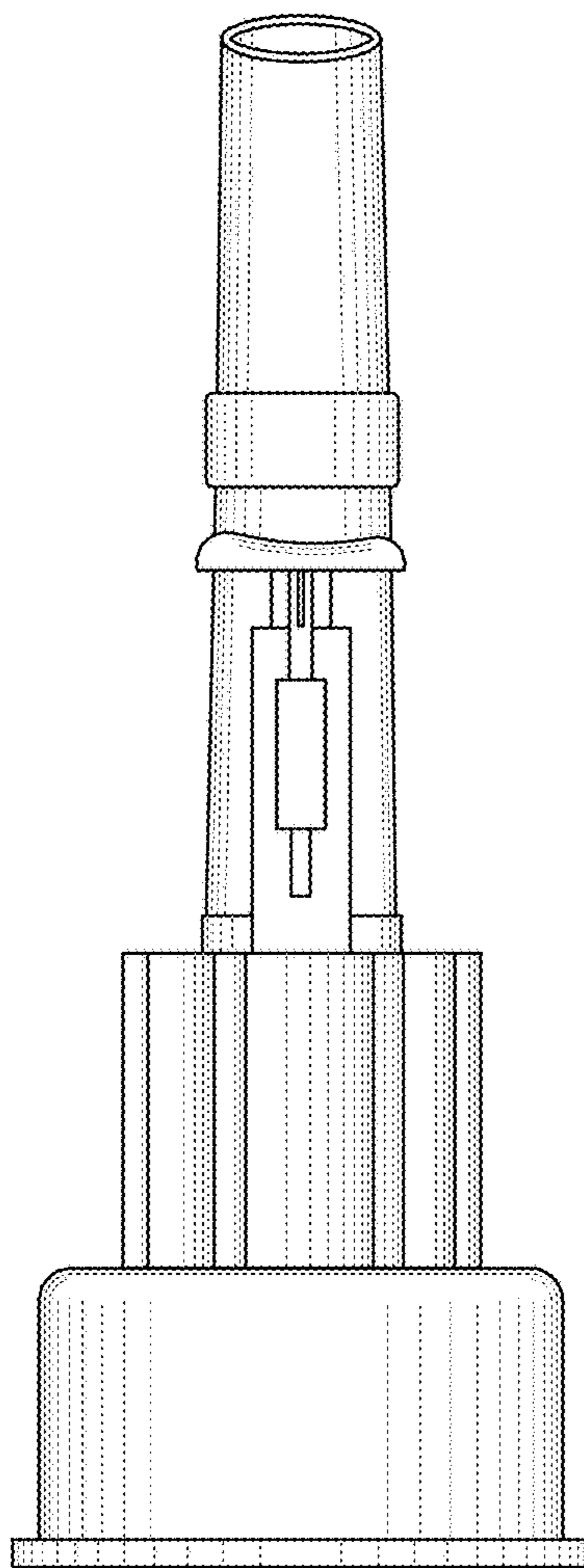


FIG. 7

