



US00D850579S

(12) **United States Design Patent**
Ito et al.

(10) **Patent No.:** **US D850,579 S**
(45) **Date of Patent:** **** Jun. 4, 2019**

(54) **LUBRICATOR**

(71) Applicant: **SMC CORPORATION**, Tokyo (JP)

(72) Inventors: **Shinichi Ito**, Toride (JP); **Michihiro Hanada**, Tsukubamirai (JP)

(73) Assignee: **SMC CORPORATION**, Tokyo (JP)

(**) Term: **15 Years**

(21) Appl. No.: **29/599,152**

(22) Filed: **Mar. 31, 2017**

(30) **Foreign Application Priority Data**

Oct. 11, 2016 (JP) 2016-021991

(51) **LOC (11) Cl.** **23-01**

(52) **U.S. Cl.**
USPC **D23/209**

(58) **Field of Classification Search**

USPC D23/209, 235, 341, 358, 363–365;
D15/5, 150, 151; D10/83, 85, 96

CPC F02M 35/04; F02M 35/10; F02M 35/024;
B01D 46/00; B01D 46/24; B01D 36/00;
B01D 46/0002; B01D 46/10; F16K
31/0655; F16K 3/265

See application file for complete search history.

(56) **References Cited**

U.S. PATENT DOCUMENTS

3,572,469 A * 3/1971 Miller F16N 7/34
184/55.2
4,234,014 A * 11/1980 Knight F16N 7/34
137/557
4,533,020 A * 8/1985 Yamazaki F15B 21/048
184/55.2
4,721,186 A * 1/1988 Fujiwara F16N 7/34
137/205.5
D317,315 S * 6/1991 Miyake D15/150
D317,644 S * 6/1991 Ito D15/150
D650,402 S 12/2011 Yamase et al.

D650,403 S 12/2011 Yamase et al.
9,314,726 B2 * 4/2016 Yamase B01D 46/2414
2003/0006097 A1 * 1/2003 Tomita F16N 7/30
184/55.1
2003/0127384 A1 * 7/2003 Kapur B01D 35/147
210/235

FOREIGN PATENT DOCUMENTS

JP D857998 S 1/1993
JP D904920 S 8/1994
JP D1061087 S 2/2000

OTHER PUBLICATIONS

SMC Lubricator reference found online Sep. 6, 2018—https://www.alliedelec.com/smc-corporation-al20-n02-3cz-a/70314611/?mkwid=suL8Np2F5&pcrid=30980760979&pkw=&pmt=&gclid=EA1a1QobChMI_u2XnKSm3Q1V01uGCh3MYQkrE AQYASABEgLLsPD_BwE.*

* cited by examiner

Primary Examiner — Lakiya G Rogers

Assistant Examiner — John A Voytek

(74) *Attorney, Agent, or Firm* — Birch, Stewart, Kolasch & Birch, LLP

(57) **CLAIM**

The ornamental design for a lubricator, as shown.

DESCRIPTION

FIG. 1 is a front, top and left side perspective view of a lubricator showing our new design;

FIG. 2 is a rear, bottom and right side perspective view thereof;

FIG. 3 is a front view thereof;

FIG. 4 is a rear view thereof;

FIG. 5 is a top plan view thereof;

FIG. 6 is a bottom plan view thereof;

FIG. 7 is a left side view thereof; and,

FIG. 8 is a right side view thereof.

1 Claim, 8 Drawing Sheets

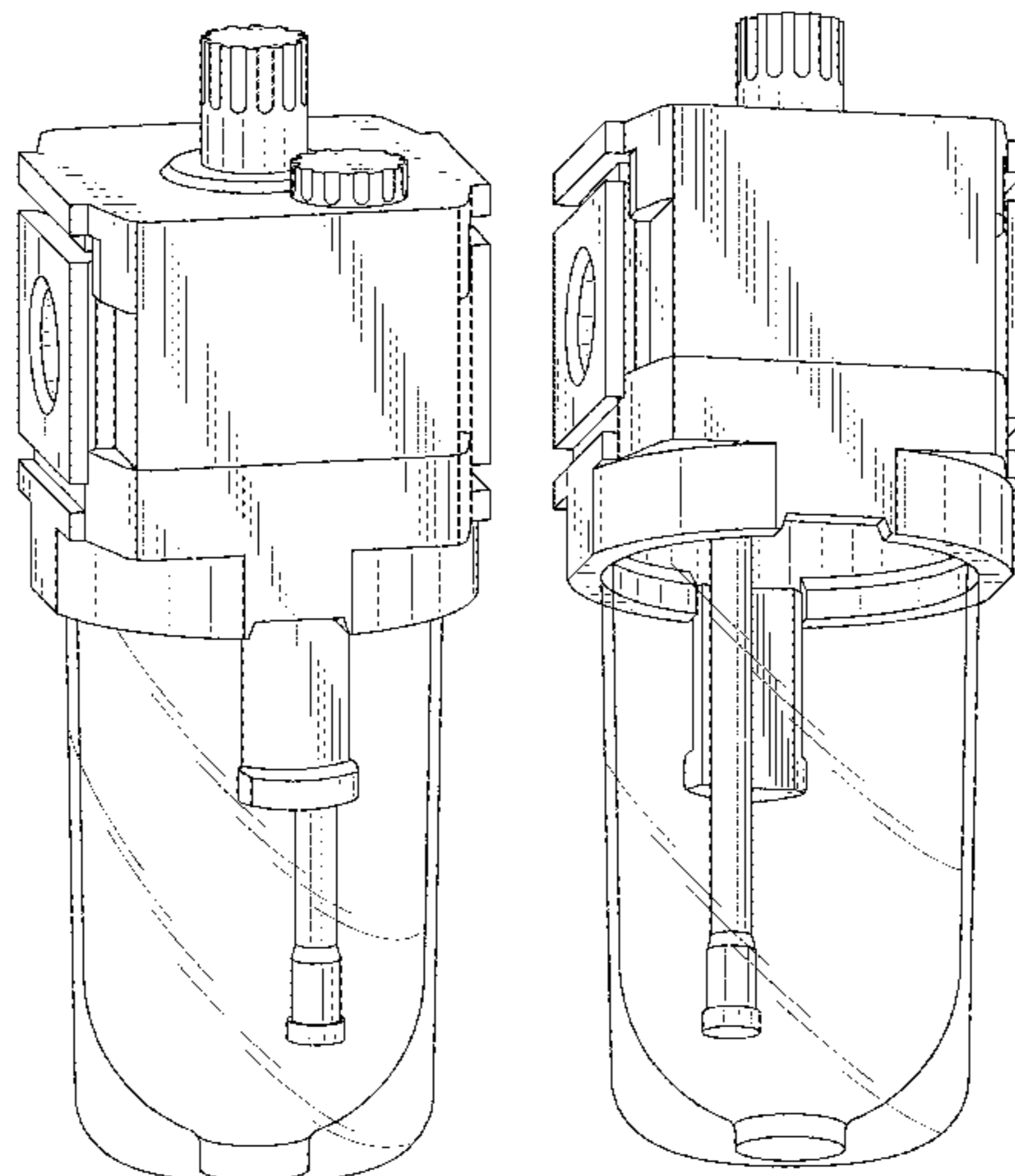


FIG. 1

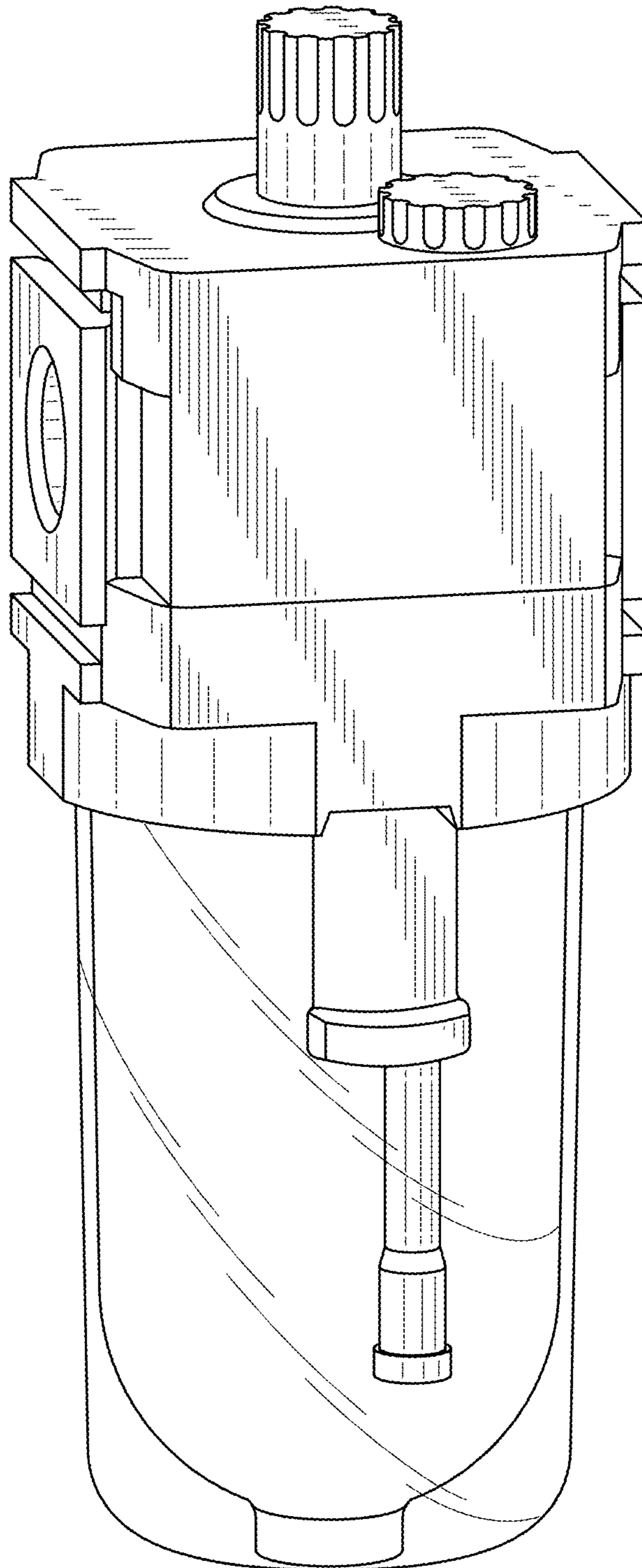


FIG. 2

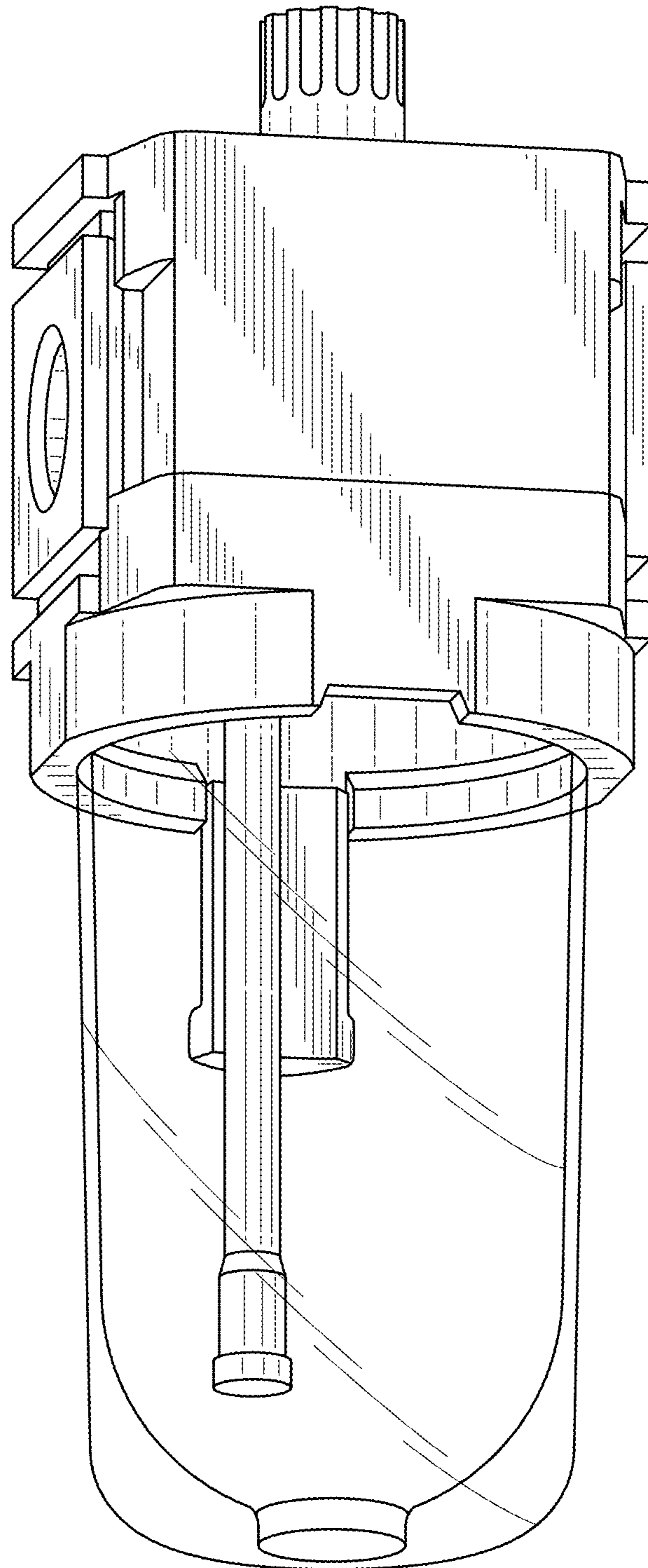


FIG. 3

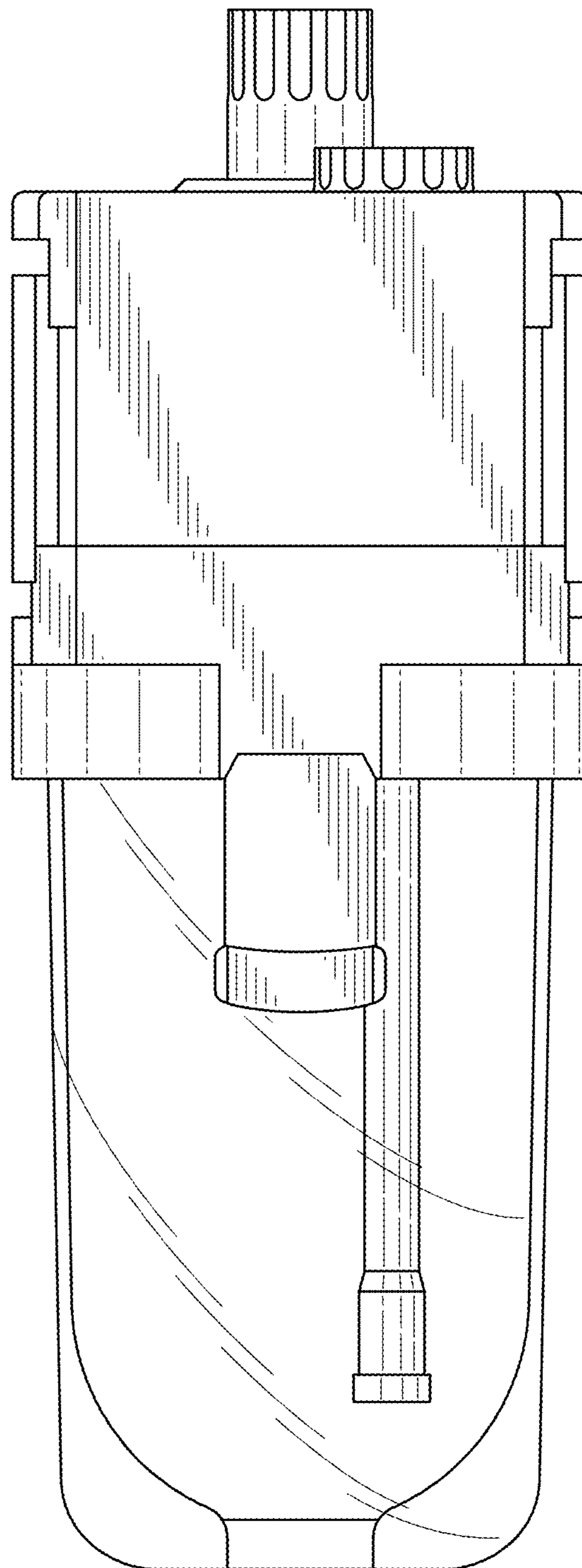


FIG. 4

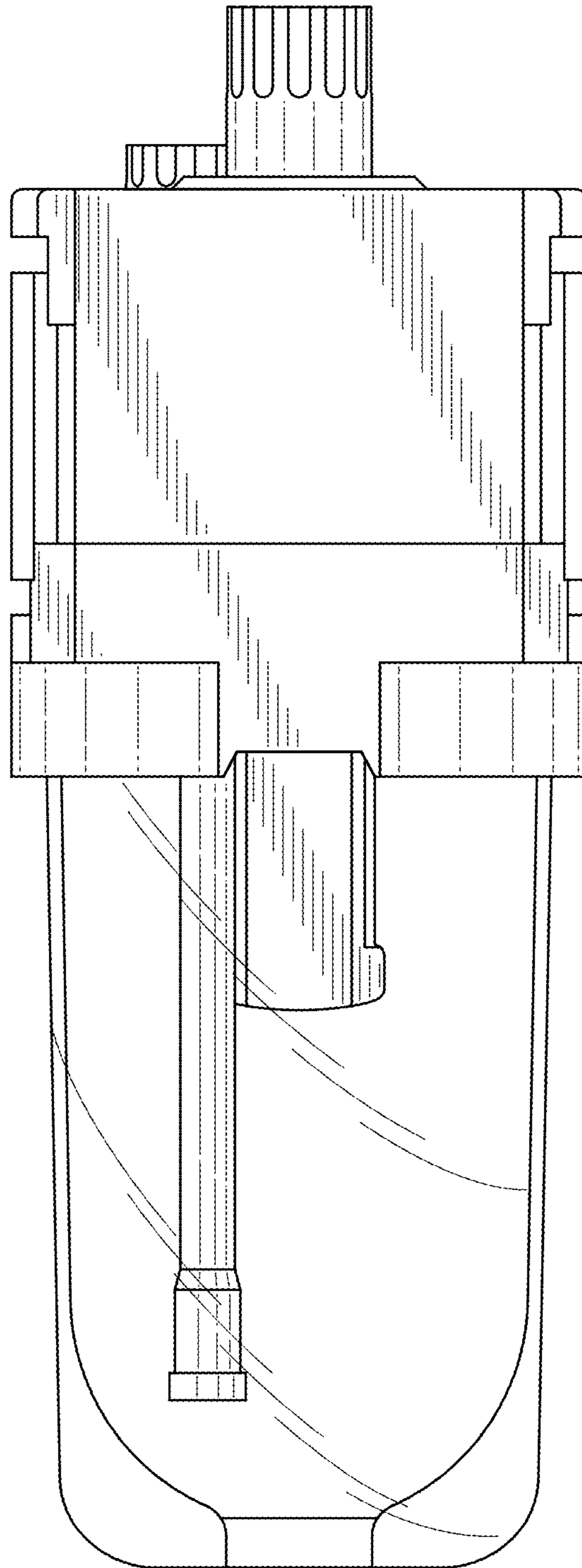


FIG. 5

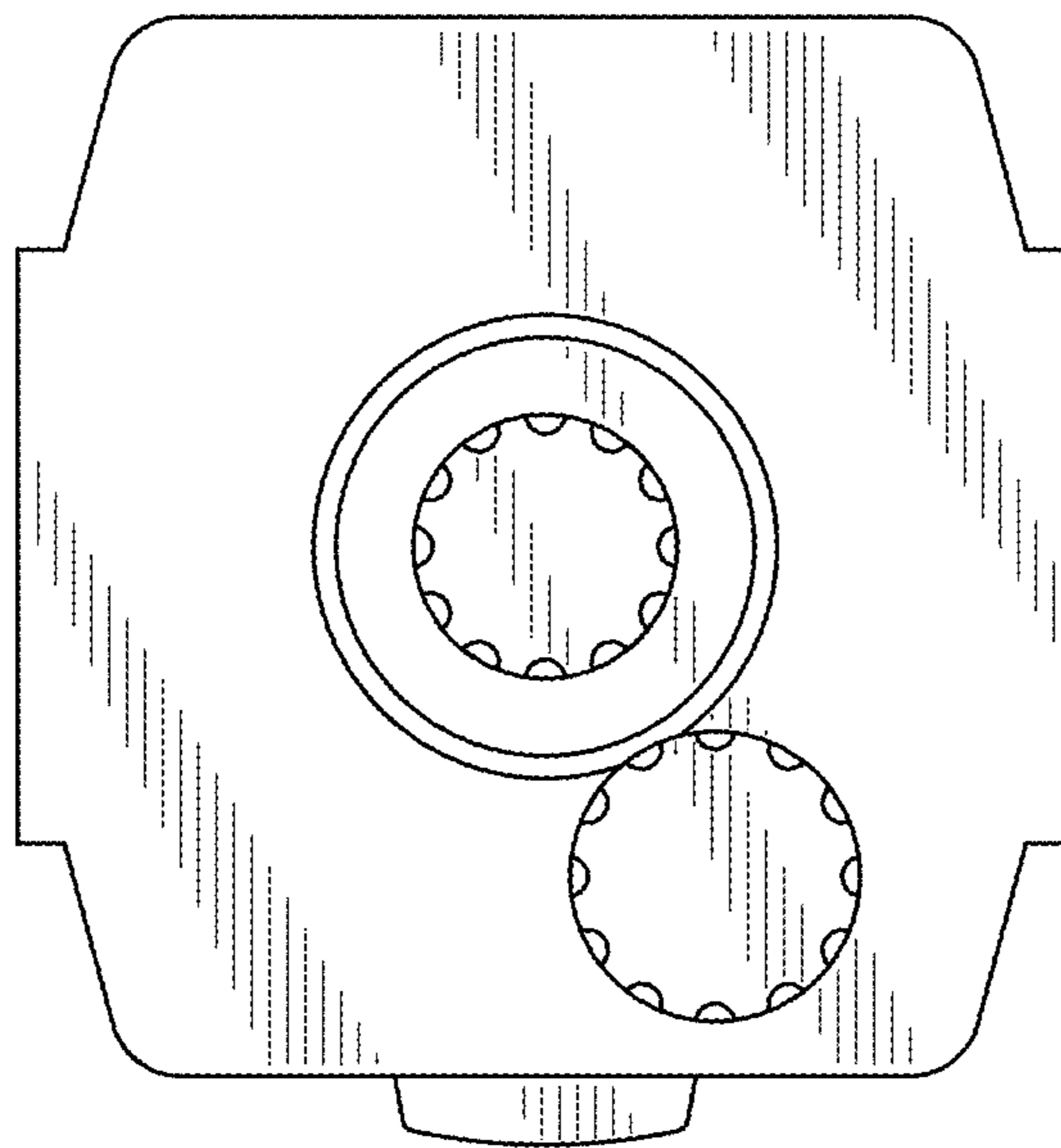


FIG. 6

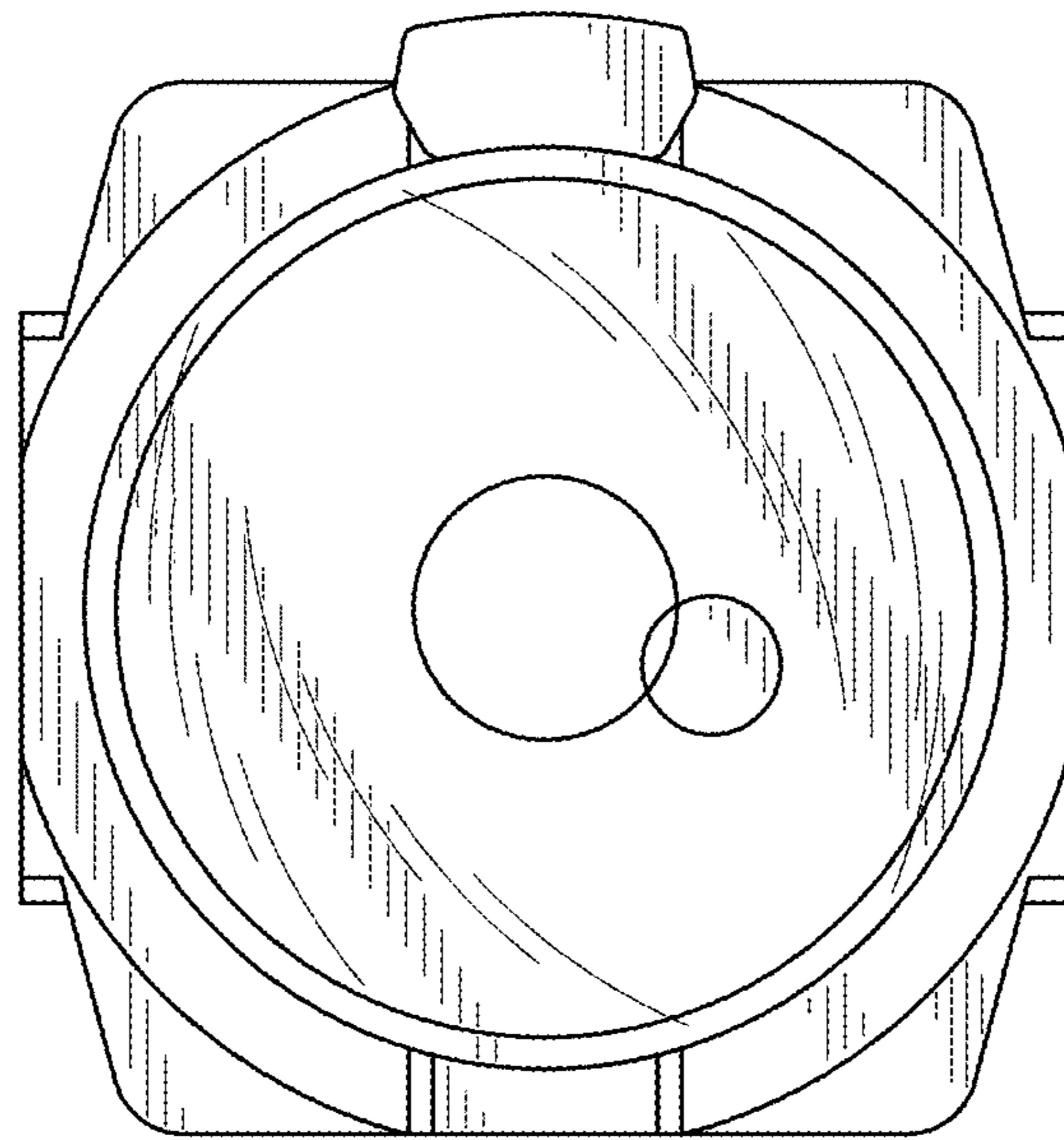


FIG. 7

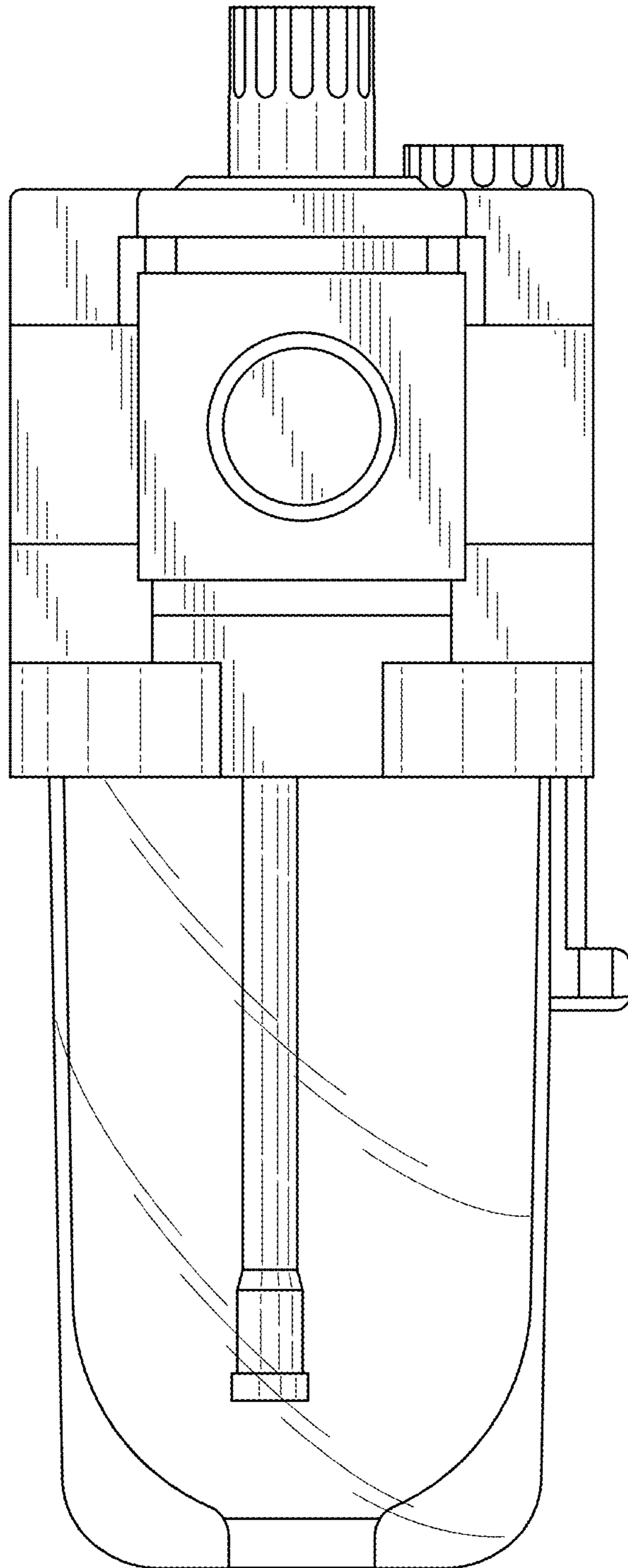


FIG. 8

