



US00D850576S

(12) **United States Design Patent**
Kremerman

(10) **Patent No.:** **US D850,576 S**

(45) **Date of Patent:** **** Jun. 4, 2019**

(54) **COLD TRAP**

(71) Applicant: **Elliot Kremerman**, Scotts Valley, CA
(US)

(72) Inventor: **Elliot Kremerman**, Scotts Valley, CA
(US)

(**) Term: **15 Years**

(21) Appl. No.: **29/654,590**

(22) Filed: **Jun. 26, 2018**

(51) **LOC (11) Cl.** **23-01**

(52) **U.S. Cl.**
USPC **D23/207**

(58) **Field of Classification Search**
USPC D23/207, 209; 202/81, 87, 176, 204
CPC C02F 1/04; B01D 5/0051; B01D 3/04;
B01D 3/008; B01D 3/00
See application file for complete search history.

(56) **References Cited**

U.S. PATENT DOCUMENTS

1,418,691	A *	6/1922	Anders	B01D 3/00 422/531
3,020,215	A *	2/1962	Weber	B01D 1/0017 202/197
3,334,025	A *	8/1967	Reid	B01D 3/00 202/161
4,089,749	A *	5/1978	Karamian	B01D 3/00 202/176
4,230,536	A *	10/1980	Sech	B01D 1/0094 122/234
D432,203	S *	10/2000	Edwards	D23/207

D634,397	S *	3/2011	Lautzenheiser	B01D 1/0094 D23/207
9,138,657	B1 *	9/2015	Wiederin	B01D 3/008
D776,238	S *	1/2017	Kremerman	B01D 3/00 D23/207
D805,600	S *	12/2017	Kremerman	B01D 1/0017 D23/207
D819,779	S *	6/2018	Kremerman	B01D 3/00 D23/207
D828,904	S *	9/2018	Maibach, Jr.	B01D 3/008 D23/207

* cited by examiner

Primary Examiner — Robin V Webster

(74) *Attorney, Agent, or Firm* — Michael J Feigin, Esq.;
Feigin and Fridman

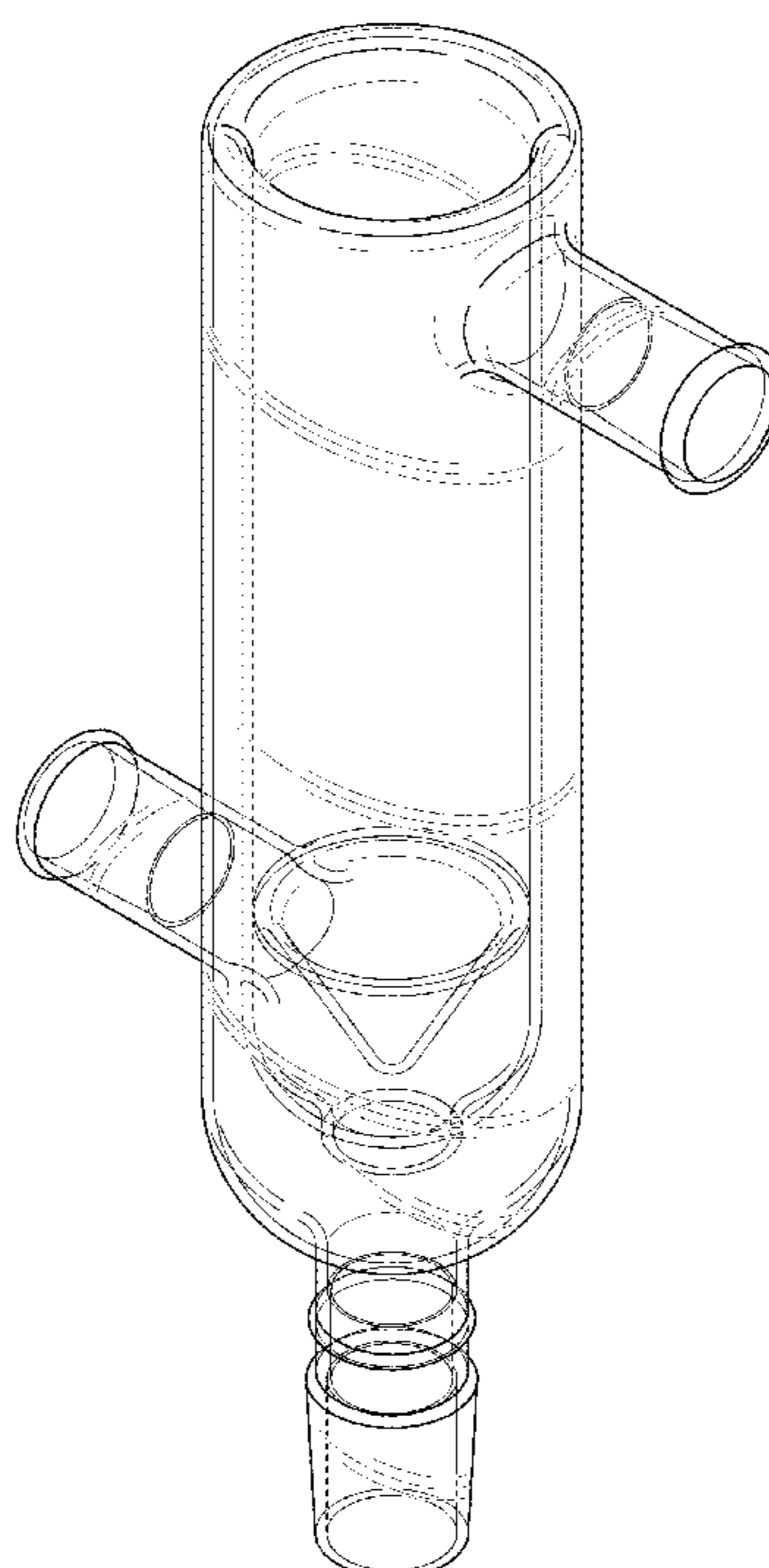
(57) **CLAIM**

The ornamental design for a cold trap, as shown and described.

DESCRIPTION

FIG. 1 shows a top and side perspective view of a cold trap. FIG. 2 shows a bottom and reverse side perspective view thereof. FIG. 3 shows a side view, the reverse side being a mirror image thereof. FIG. 4 shows a front view thereof. FIG. 5 shows a rear view thereof. FIG. 6 shows a top plan view thereof. FIG. 7 shows a bottom plan view thereof; and, FIG. 8 shows a cutaway view of the side along section line 8-8 of FIG. 6.

1 Claim, 7 Drawing Sheets



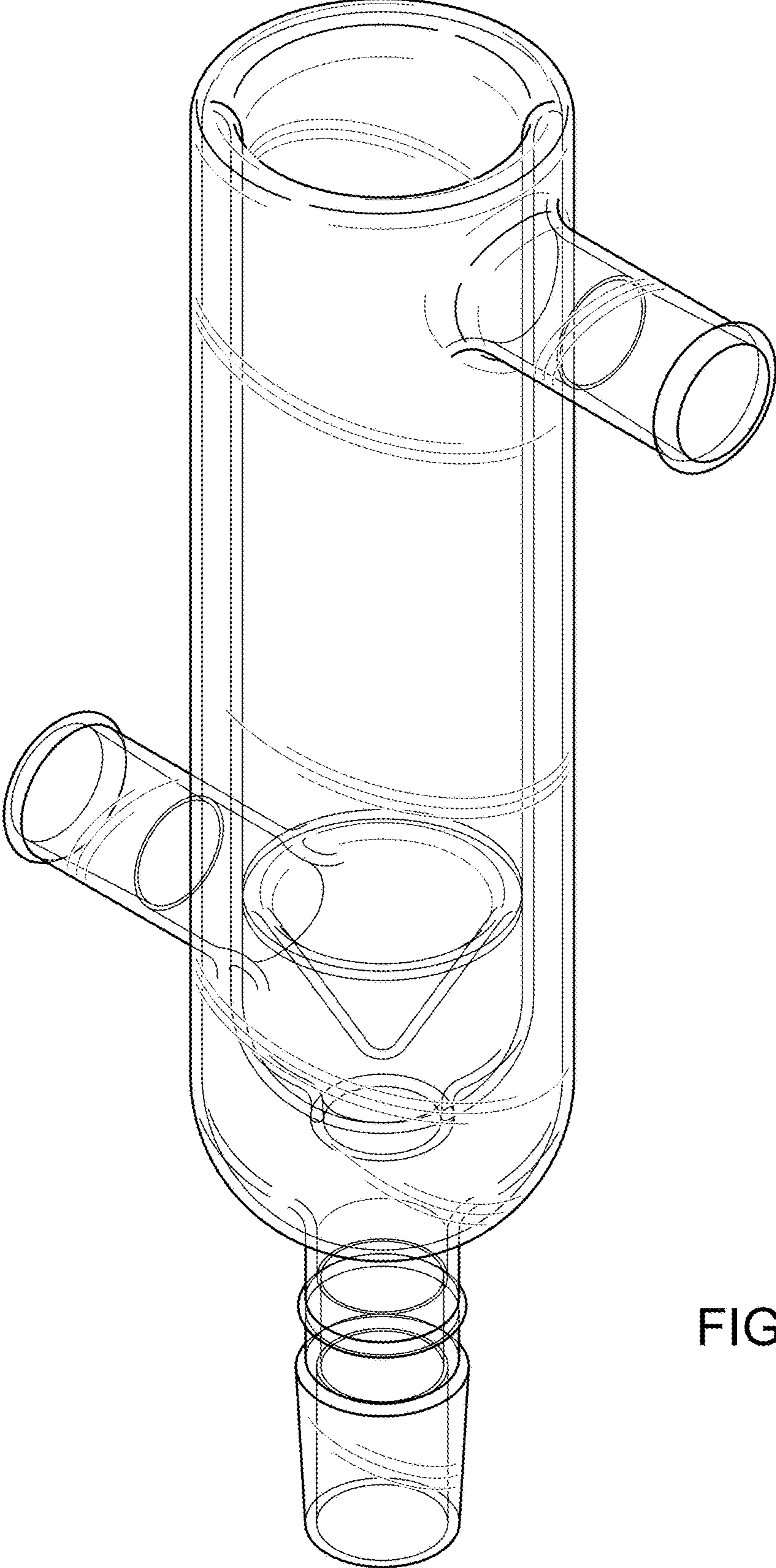


FIG. 1

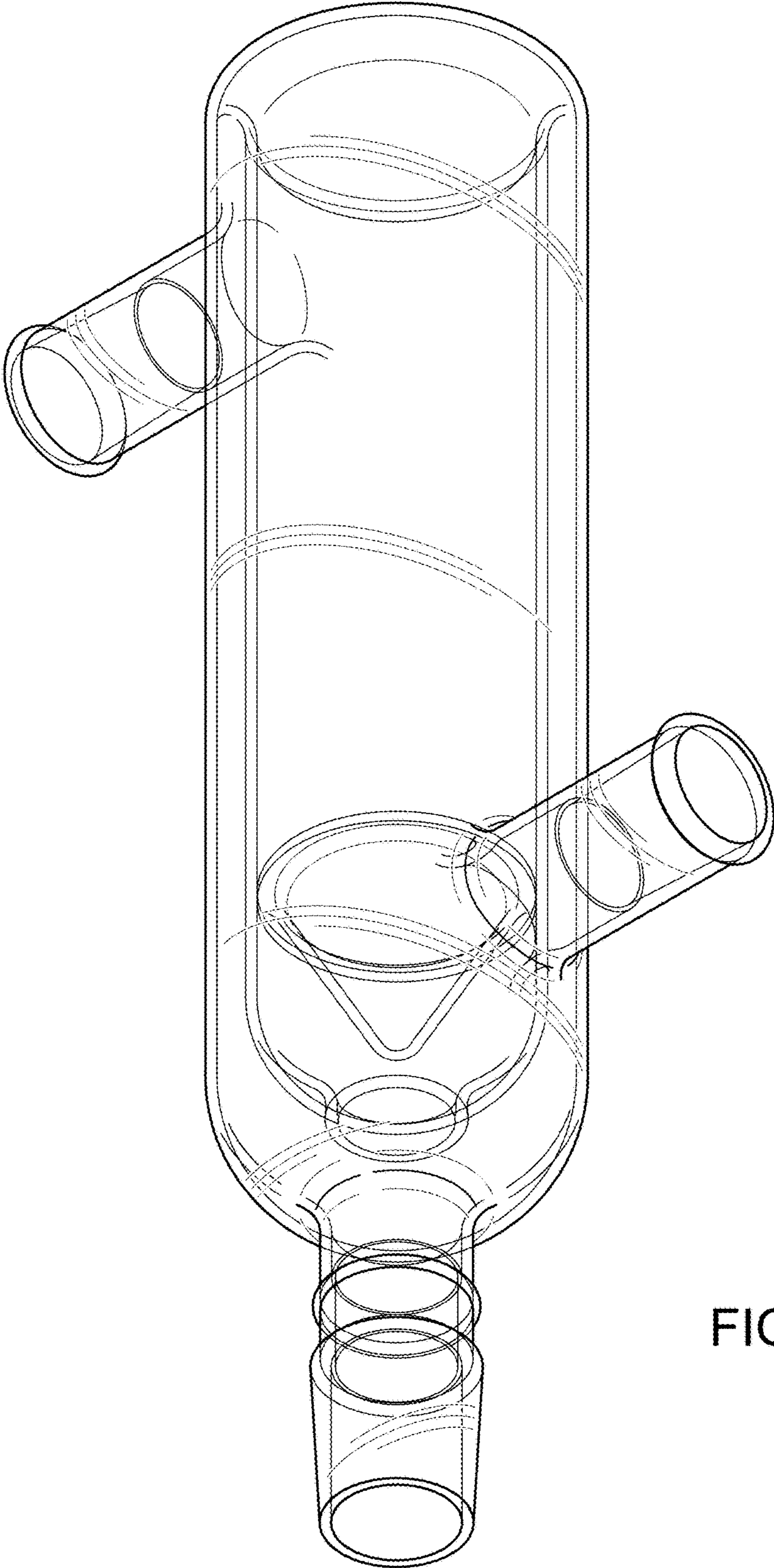


FIG. 2

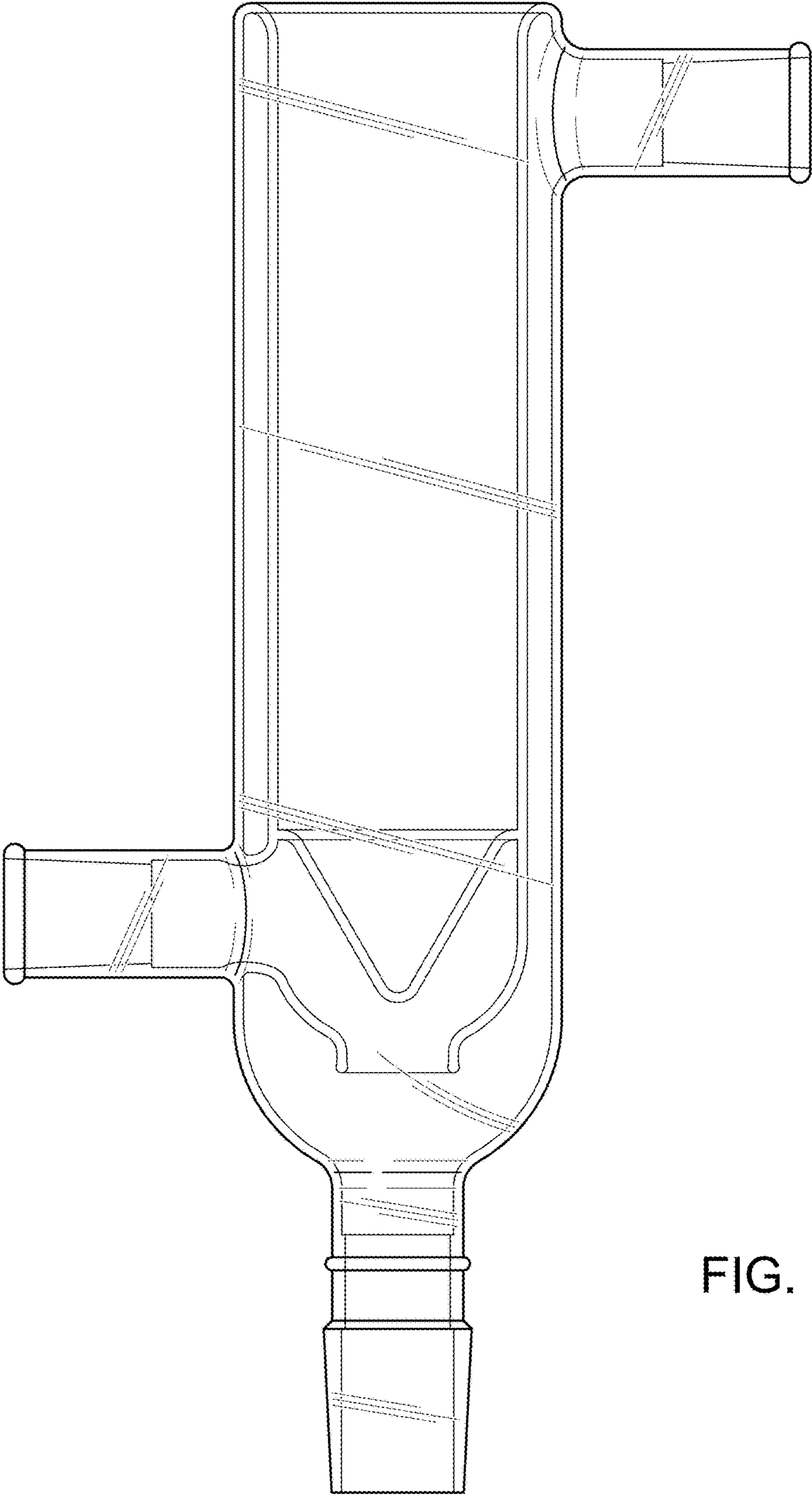


FIG. 3

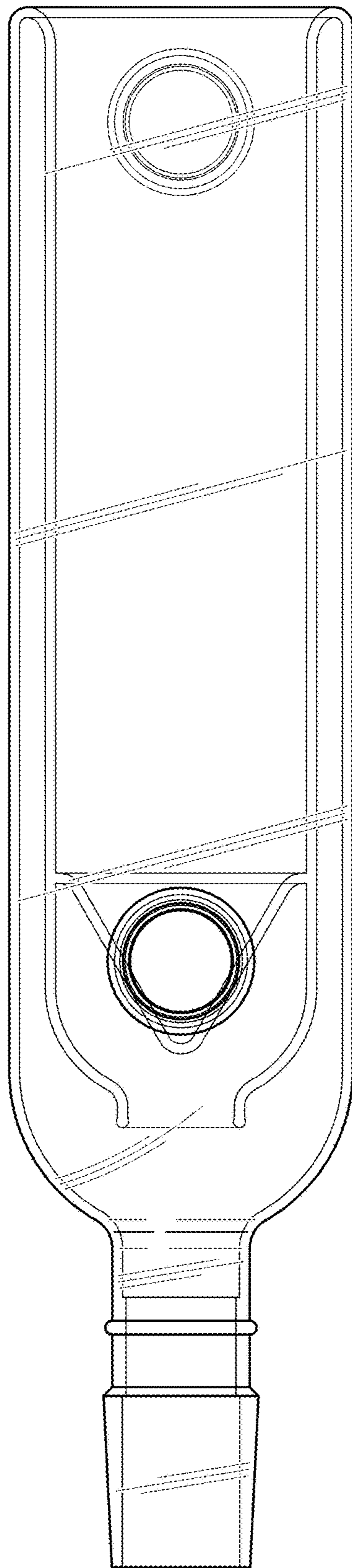


FIG. 4

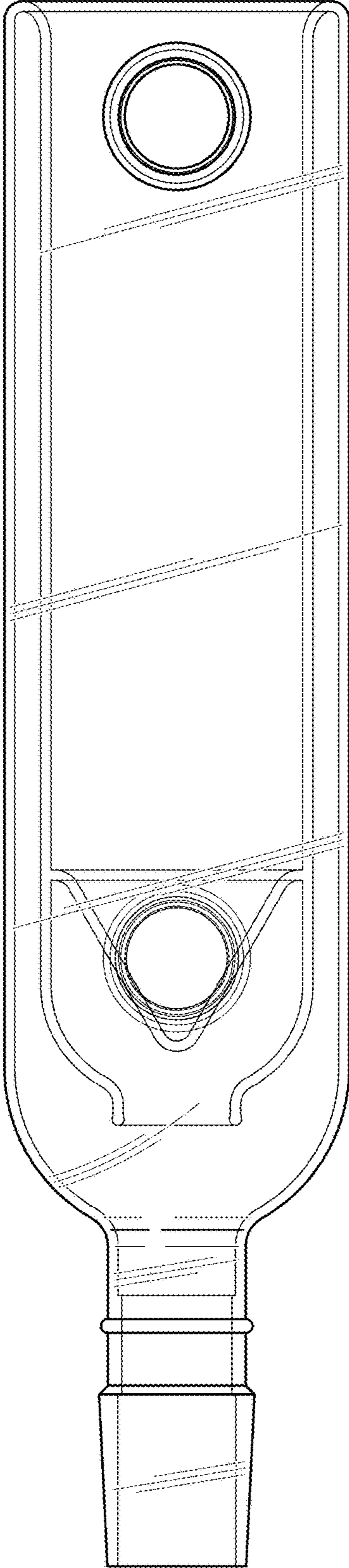


FIG. 5

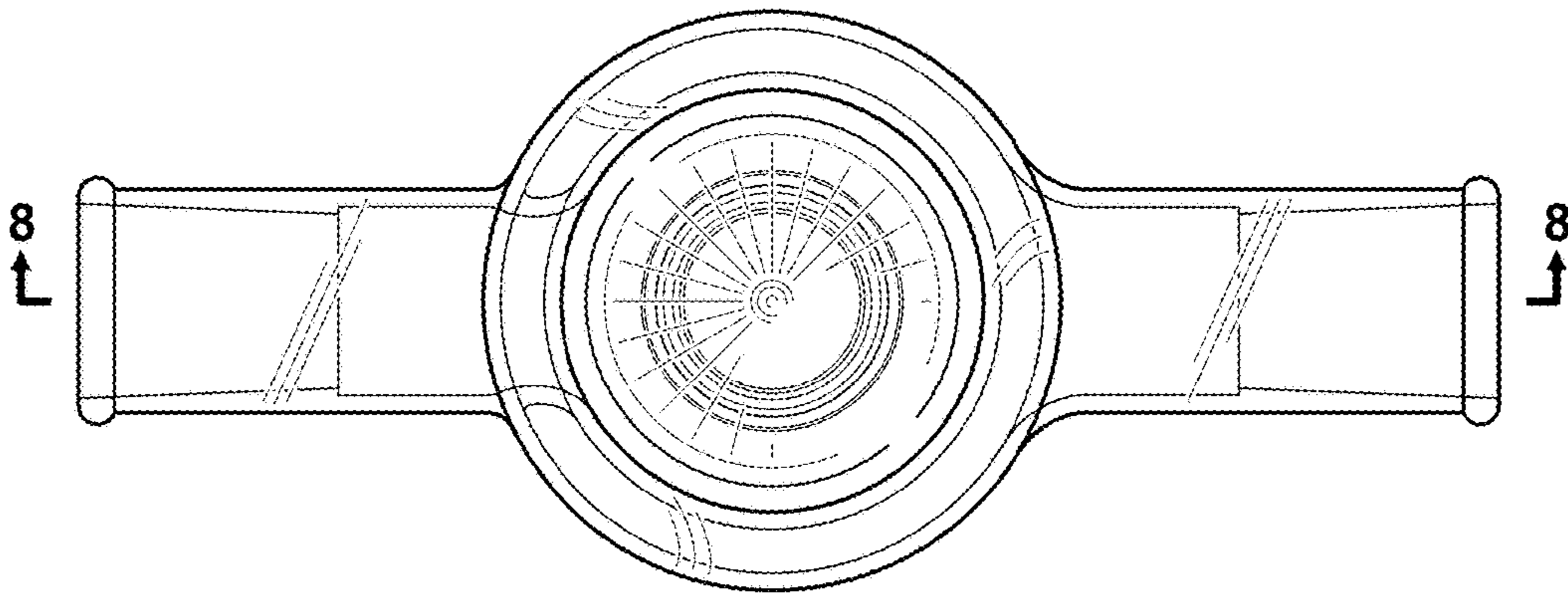


FIG. 6

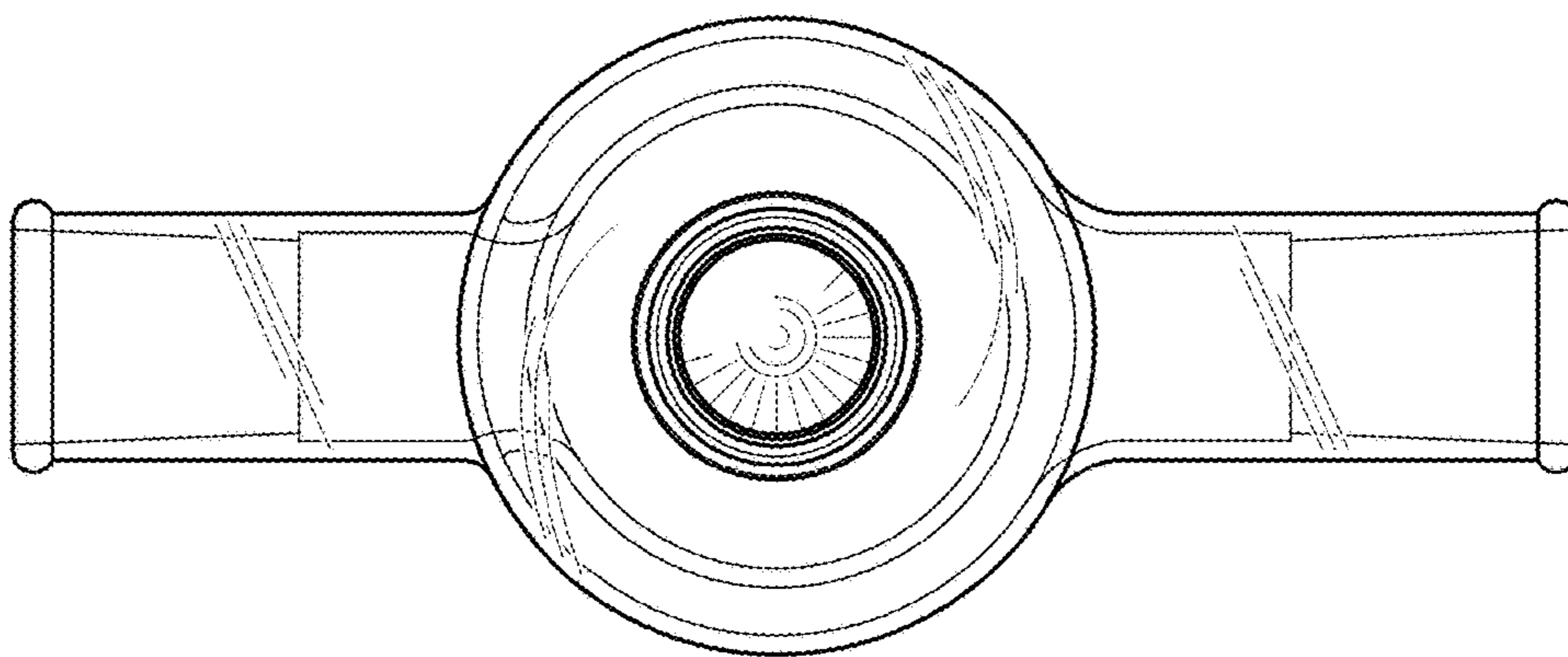


FIG. 7

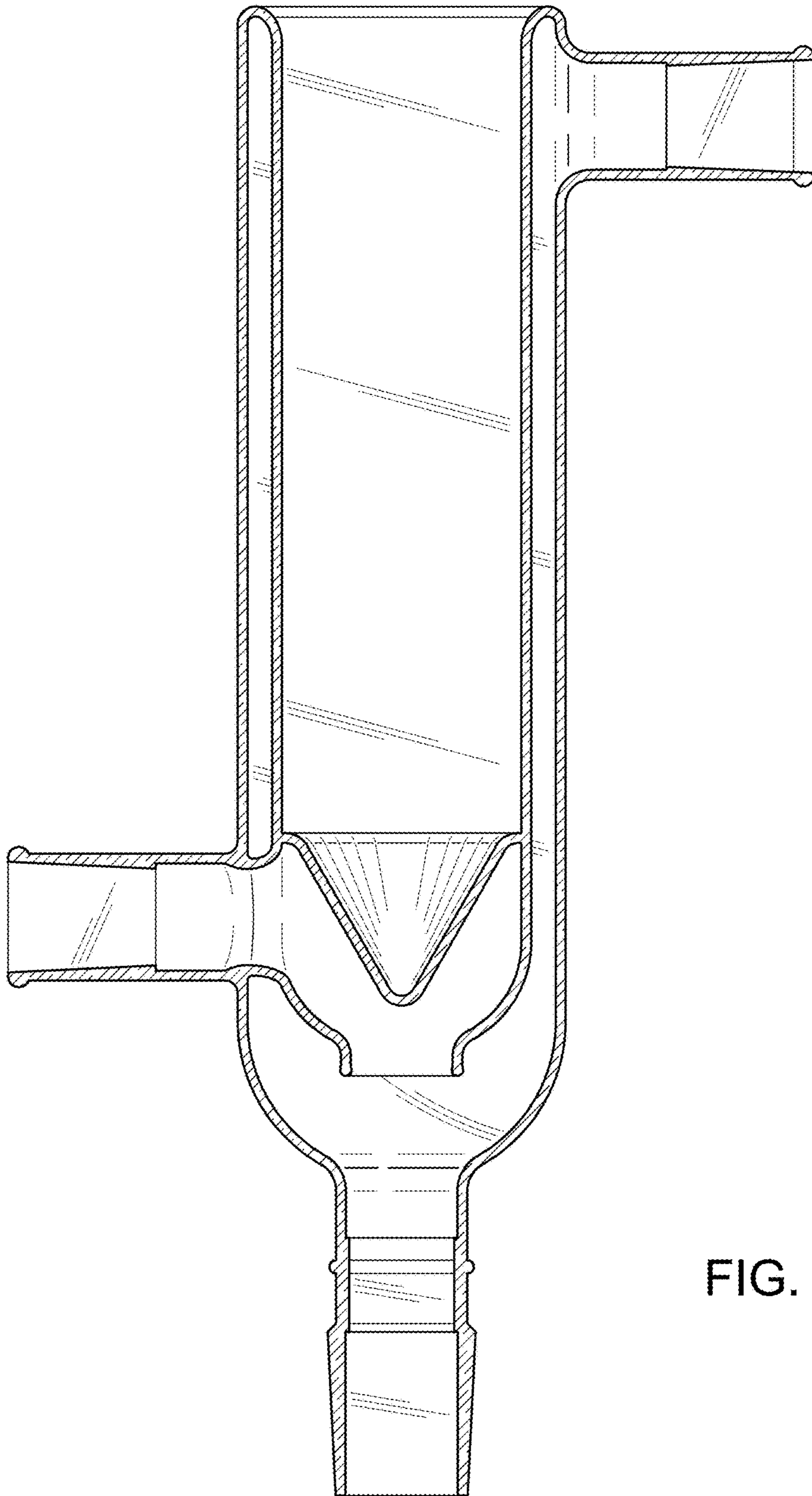


FIG. 8