



US00D850573S

(12) **United States Design Patent**
Bäckmark

(10) **Patent No.:** **US D850,573 S**

(45) **Date of Patent:** **** Jun. 4, 2019**

(54) **TRAP FOR BED BUGS**

(71) Applicant: **Nattaro Labs AB**, Lund (SE)

(72) Inventor: **Magnus Bäckmark**, Lund (SE)

(73) Assignee: **Nattaro Labs AB**, Lund (SE)

(**) Term: **15 Years**

(21) Appl. No.: **29/638,201**

(22) Filed: **Feb. 26, 2018**

(30) **Foreign Application Priority Data**

Sep. 1, 2017 (EM) 0042020000002

(51) **LOC (11) Cl.** **22-06**

(52) **U.S. Cl.**
USPC **D22/122**

(58) **Field of Classification Search**
USPC D22/119–124; 43/107, 109, 112–114,
43/121–124, 131, 132.1
CPC A01M 1/023; A01M 1/026; A01M 1/14;
A01M 1/102; Y02A 50/374
See application file for complete search history.

(56) **References Cited**

U.S. PATENT DOCUMENTS

- 7,591,099 B2 * 9/2009 Lang A01M 1/023
43/107
- D639,895 S * 6/2011 Schneidmiller D22/122
- 8,316,578 B2 * 11/2012 Faham A01M 1/023
43/107
- 8,402,690 B2 * 3/2013 Schneidmiller A01M 1/103
43/121

- D681,153 S * 4/2013 Nordyke D22/122
- 8,413,370 B2 * 4/2013 Messian A01M 1/14
43/114
- 8,635,807 B2 * 1/2014 Frisch A01M 1/023
43/114
- 8,707,615 B2 * 4/2014 Cullen A01M 29/34
43/123
- 8,904,701 B2 * 12/2014 Vasudeva A01M 1/023
43/123
- 8,966,812 B2 * 3/2015 McKnight A01M 1/023
43/123

* cited by examiner

Primary Examiner — Catherine R Oliver-Garcia

(74) *Attorney, Agent, or Firm* — Schott, P.C.

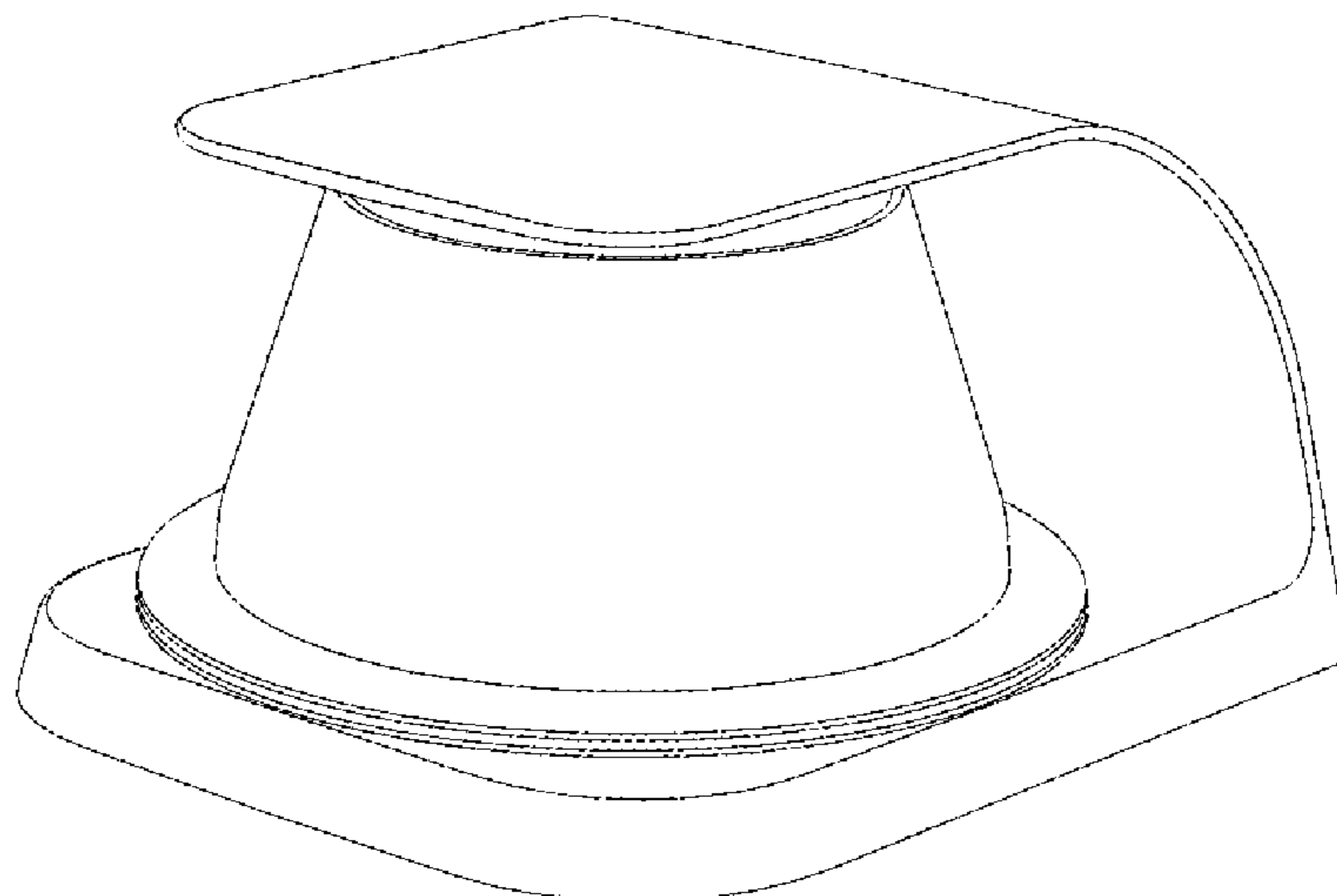
(57) **CLAIM**

The ornamental design for a trap for bed bugs, as shown and described.

DESCRIPTION

FIG. 1 is a front, top and side perspective view of the trap for bed bugs;
 FIG. 2 is a rear, bottom and opposite side perspective view thereof;
 FIG. 3 is a front elevation view thereof;
 FIG. 4 is a side elevation view thereof;
 FIG. 5 is an opposite side elevation view thereof;
 FIG. 6 is a top plan view thereof;
 FIG. 7 is a bottom plan view thereof; and,
 FIG. 8 is a rear view thereof.

1 Claim, 2 Drawing Sheets



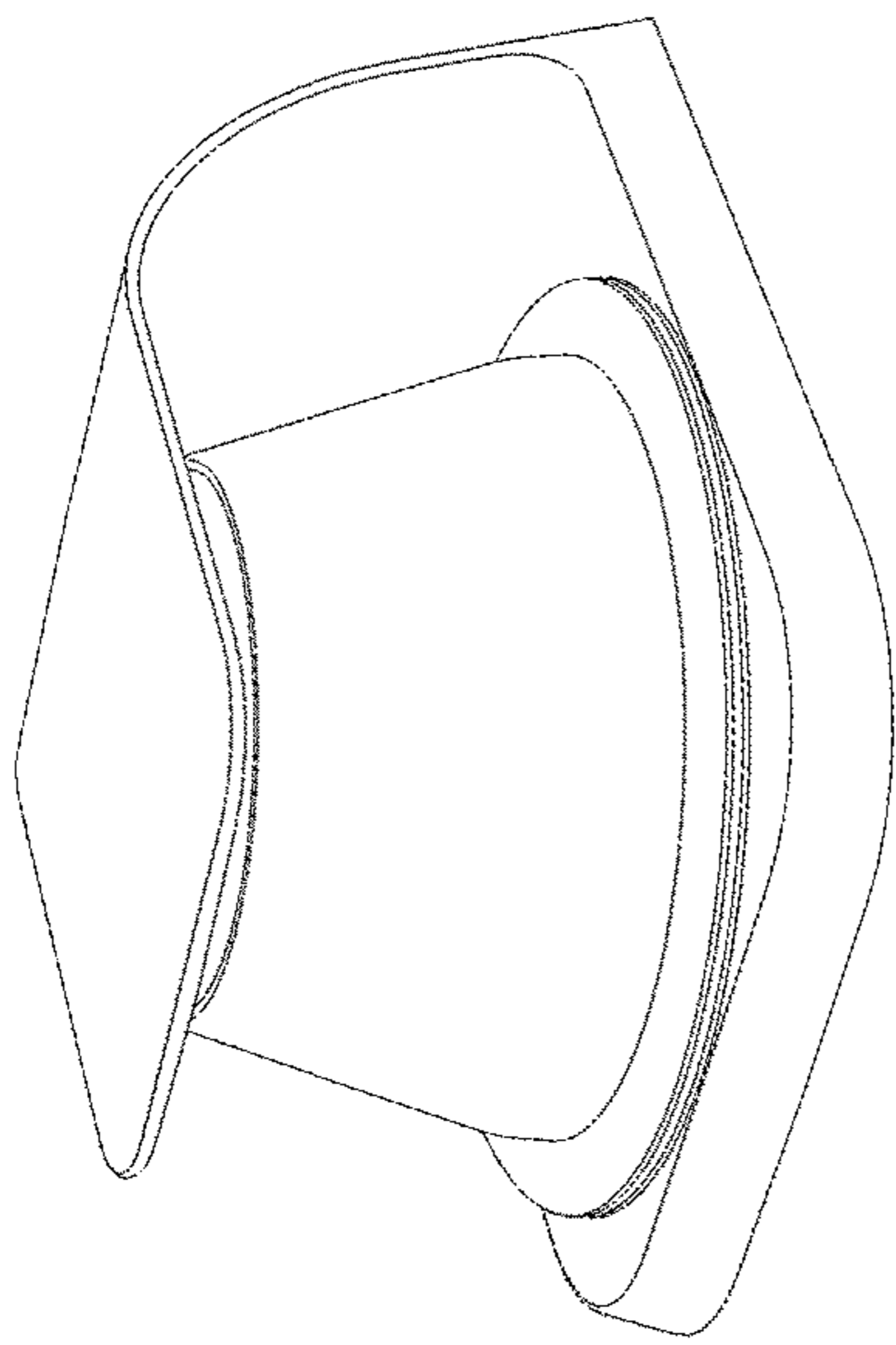


FIG. 1

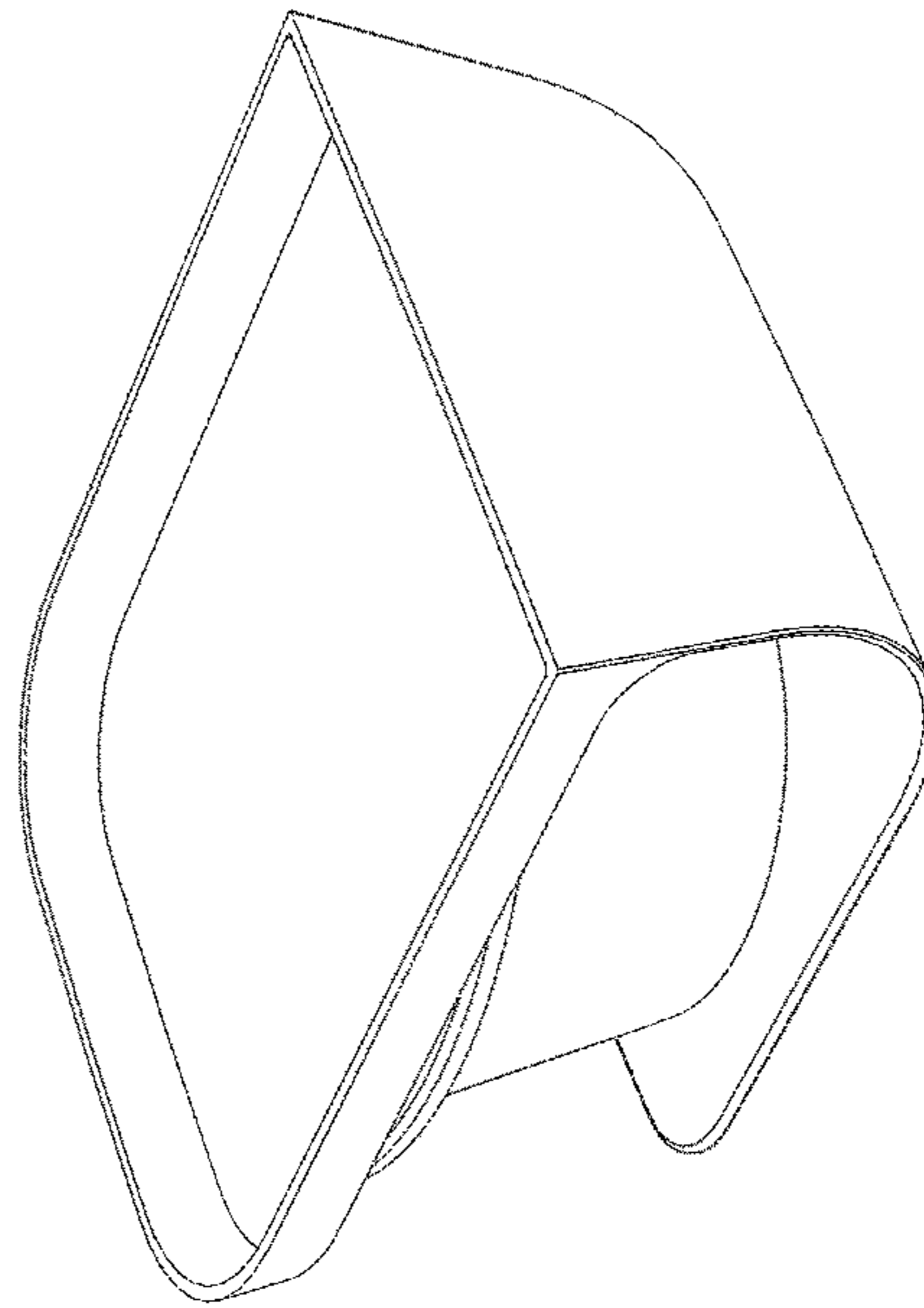


FIG. 2

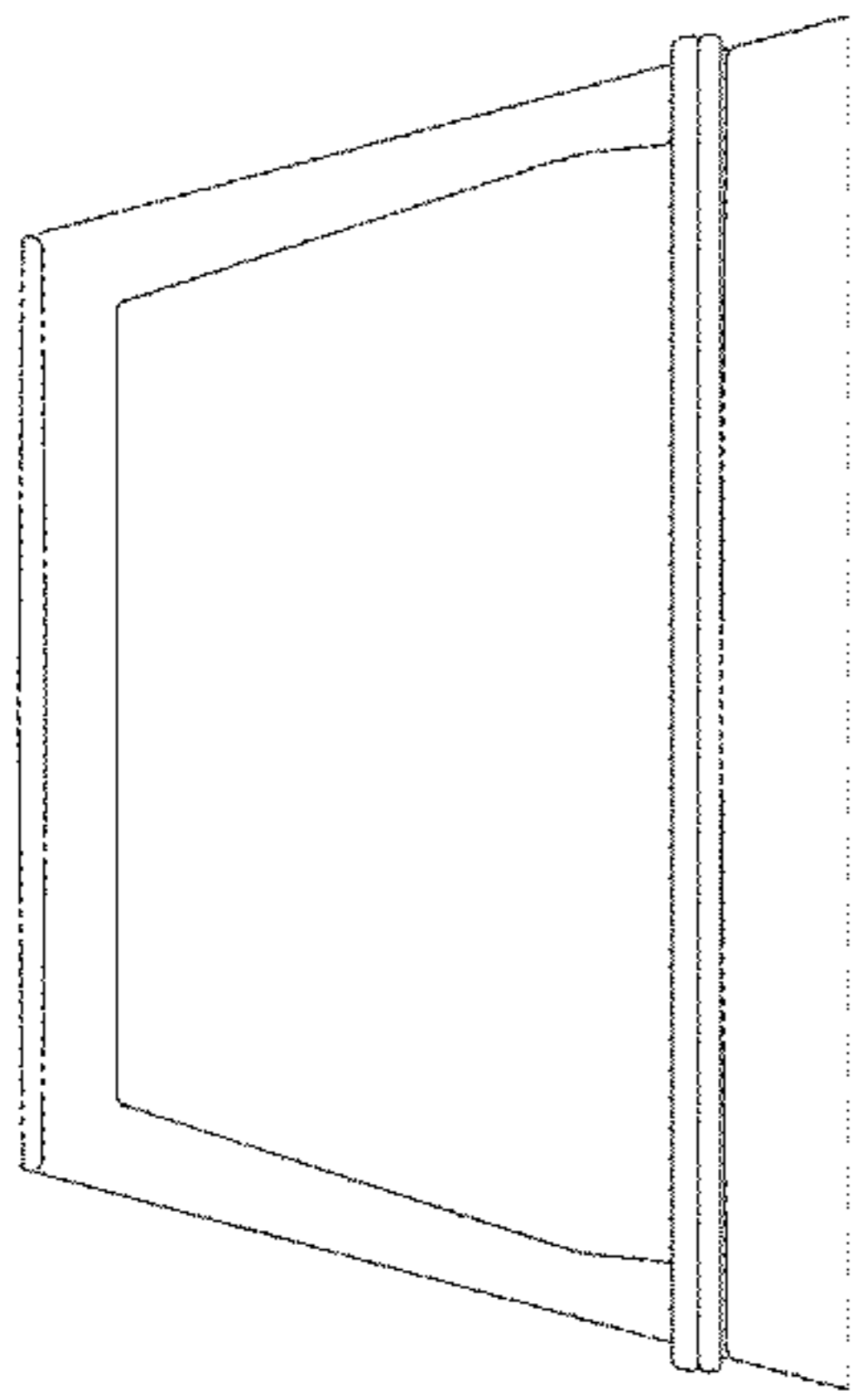


FIG. 3

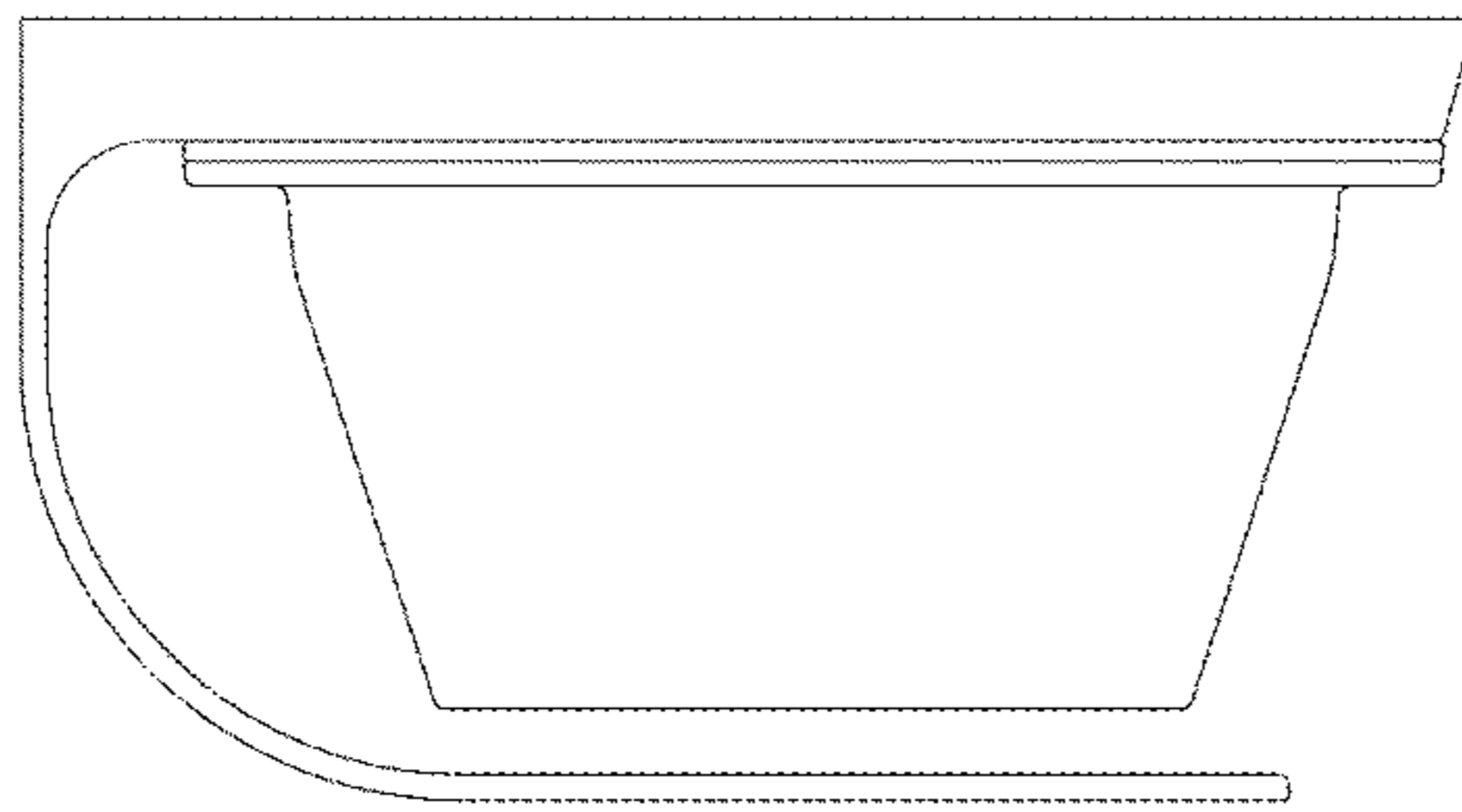


FIG. 4A

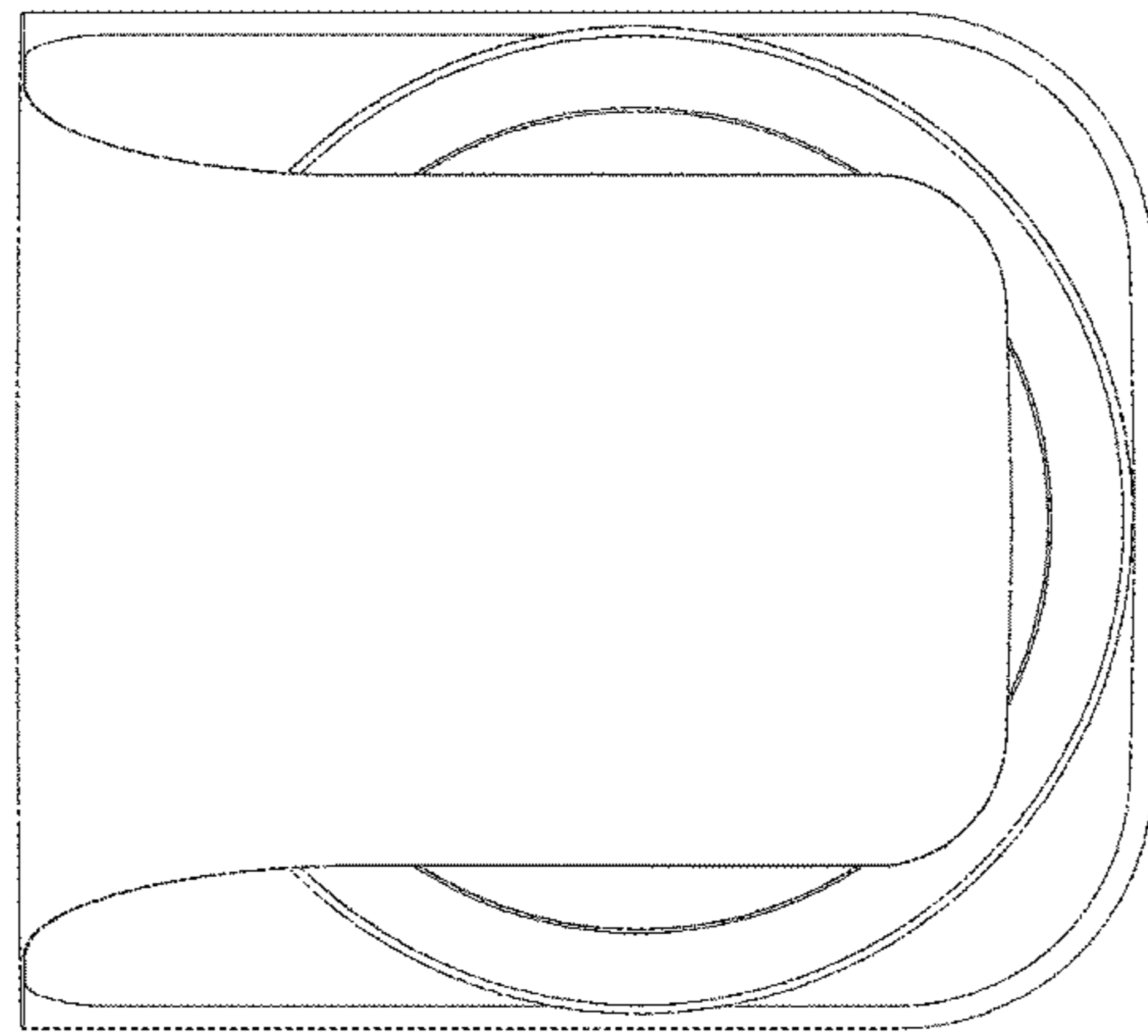


FIG. 6

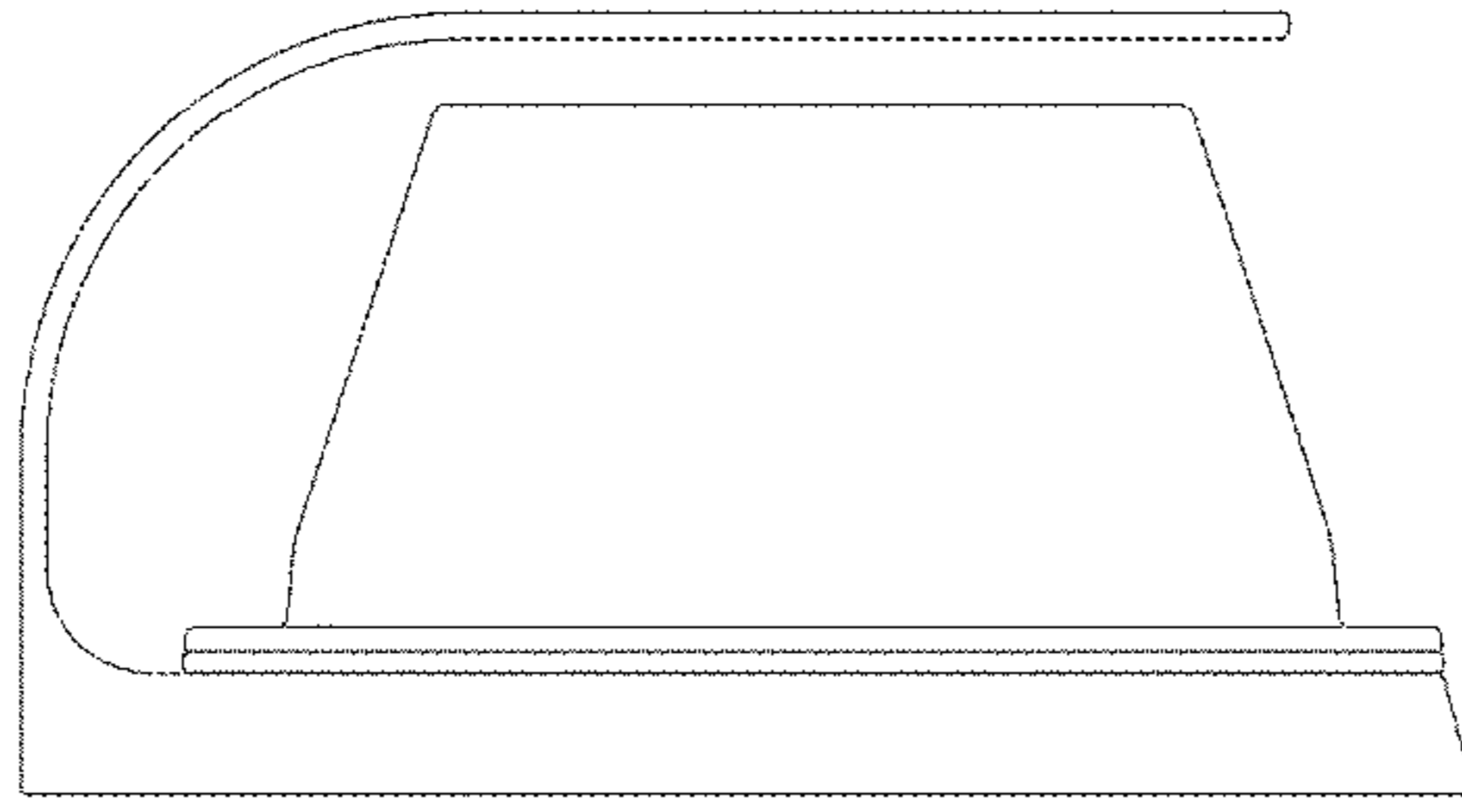


FIG. 4B

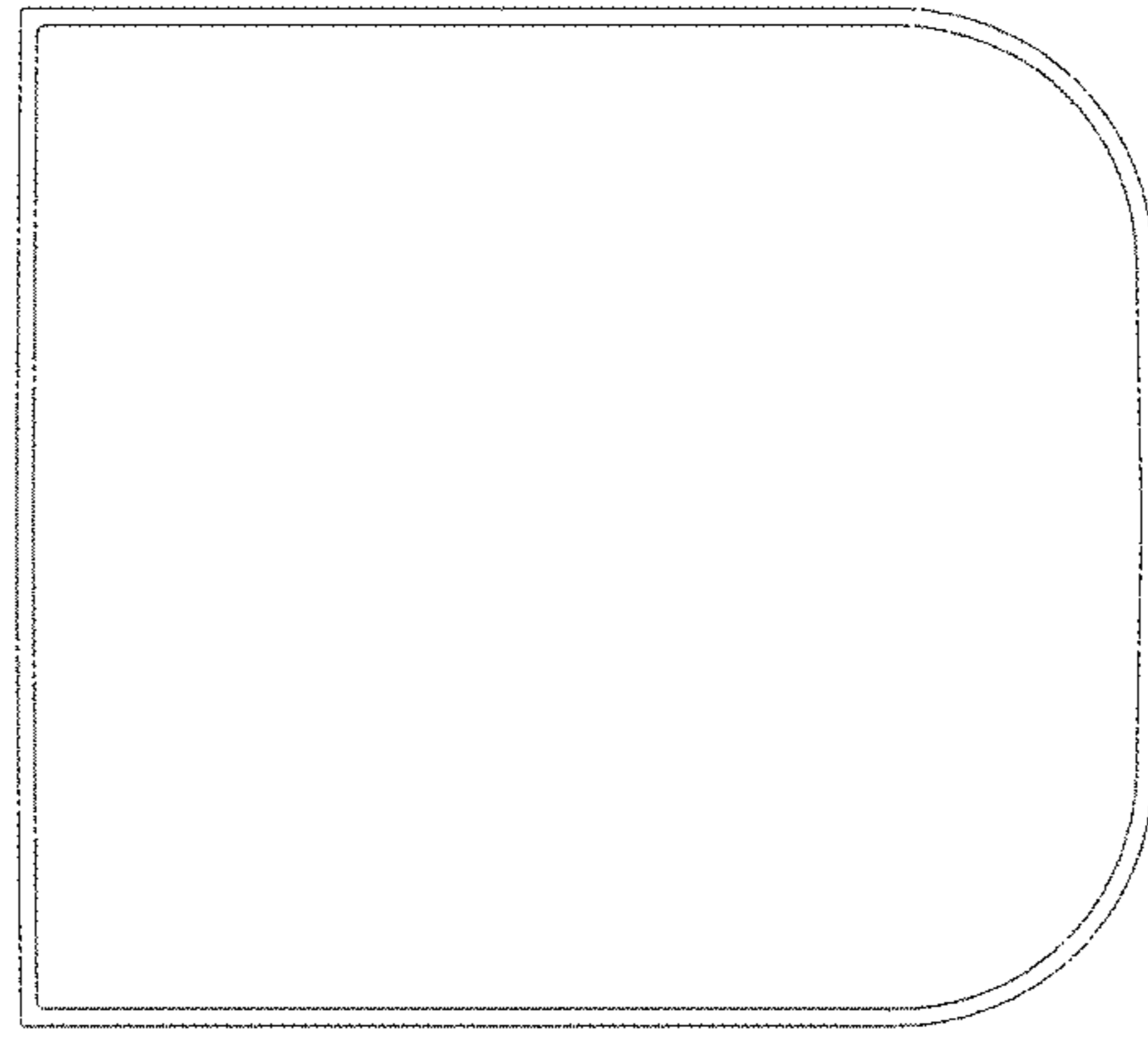


FIG. 7

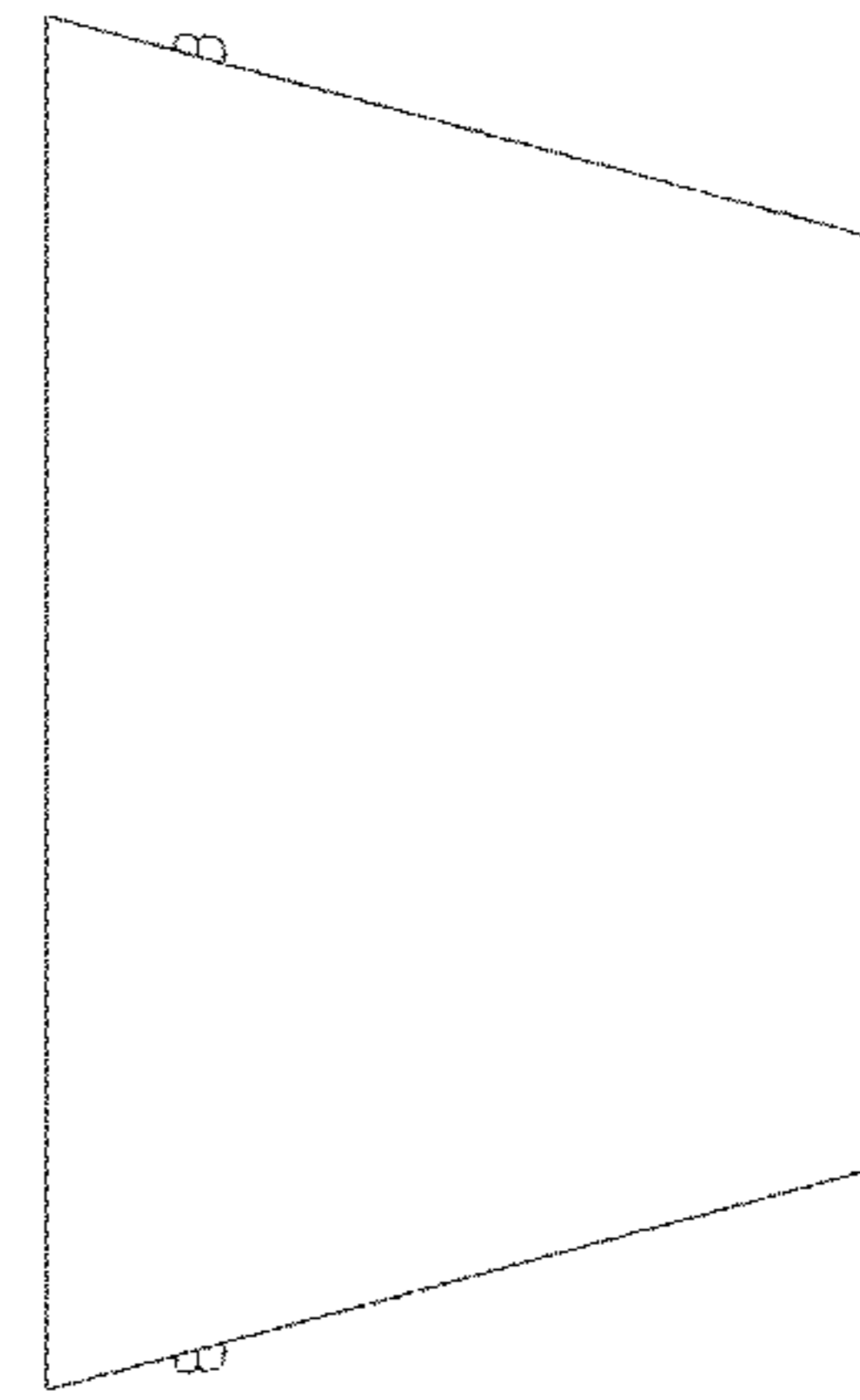


FIG. 5