



US00D850571S

(12) **United States Design Patent** (10) **Patent No.:** **US D850,571 S**  
**Heine et al.** (45) **Date of Patent:** **\*\* Jun. 4, 2019**

(54) **KNIFE**  
(71) Applicant: **Fiskars Finland Oy Ab**, Helsinki (FI)  
(72) Inventors: **Mikko Heine**, Helsinki (FI); **Teemu Sandelin**, Helsinki (FI); **Petteri Masalin**, Helsinki (FI)  
(73) Assignee: **FISKARS FINLAND OY AB**, Helsinki (FI)  
(\*\*) Term: **15 Years**

4,825,552 A 5/1989 Bendickson et al.  
D305,257 S 12/1989 Bendickson et al.  
D359,789 S 6/1995 Seber et al.  
D366,408 S 1/1996 Sessions et al.  
5,495,670 A 3/1996 Quinn  
D368,951 S 4/1996 Buck et al.  
5,511,310 A 4/1996 Sessions et al.  
5,528,834 A 6/1996 Seber et al.  
D374,597 S 10/1996 Birkholz et al.  
5,575,070 A 11/1996 Anderson  
D383,370 S 9/1997 Chen et al.  
D410,189 S 5/1999 Wehrs et al.  
D413,503 S 9/1999 Dugdale

(Continued)

(21) Appl. No.: **29/656,596**  
(22) Filed: **Jul. 13, 2018**

**Related U.S. Application Data**

(62) Division of application No. 29/574,399, filed on Aug. 15, 2016.

(30) **Foreign Application Priority Data**

Feb. 29, 2016 (EM) ..... 003006550

(51) **LOC (11) Cl.** ..... **22-02**

(52) **U.S. Cl.**  
USPC ..... **D22/118**

(58) **Field of Classification Search**  
USPC ..... D22/118; D3/220; D8/71, 95, 96, 97,  
D8/98, 99, 107; D7/649-652  
CPC ..... B24D 15/08; B24B 15/08; B26B 29/02;  
B26B 3/06  
See application file for complete search history.

(56) **References Cited**

**U.S. PATENT DOCUMENTS**

1,754,543 A \* 4/1930 Callum ..... B25G 1/10  
16/431  
D141,363 S 5/1945 Fairbairn et al.  
4,428,515 A 1/1984 Mayer  
4,573,268 A 3/1986 Call

**OTHER PUBLICATIONS**

Fiskars website, Utility knives, Publication date unknown, [site visited Oct. 11, 2018], Available on the Internet URL <https://www.fiskars.eu/products/gardening/utility-knives>.\*

*Primary Examiner* — Karen S Acker

*Assistant Examiner* — Steven B Reinholdt, Jr.

(74) *Attorney, Agent, or Firm* — Leason Ellis LLP

(57) **CLAIM**

We claim the ornamental design for a knife , as shown and described.

**DESCRIPTION**

FIG. 1 is a rear perspective view of the claimed design;

FIG. 2 is a rear view thereof;

FIG. 3 is a left side view thereof;

FIG. 4 is a right side view thereof;

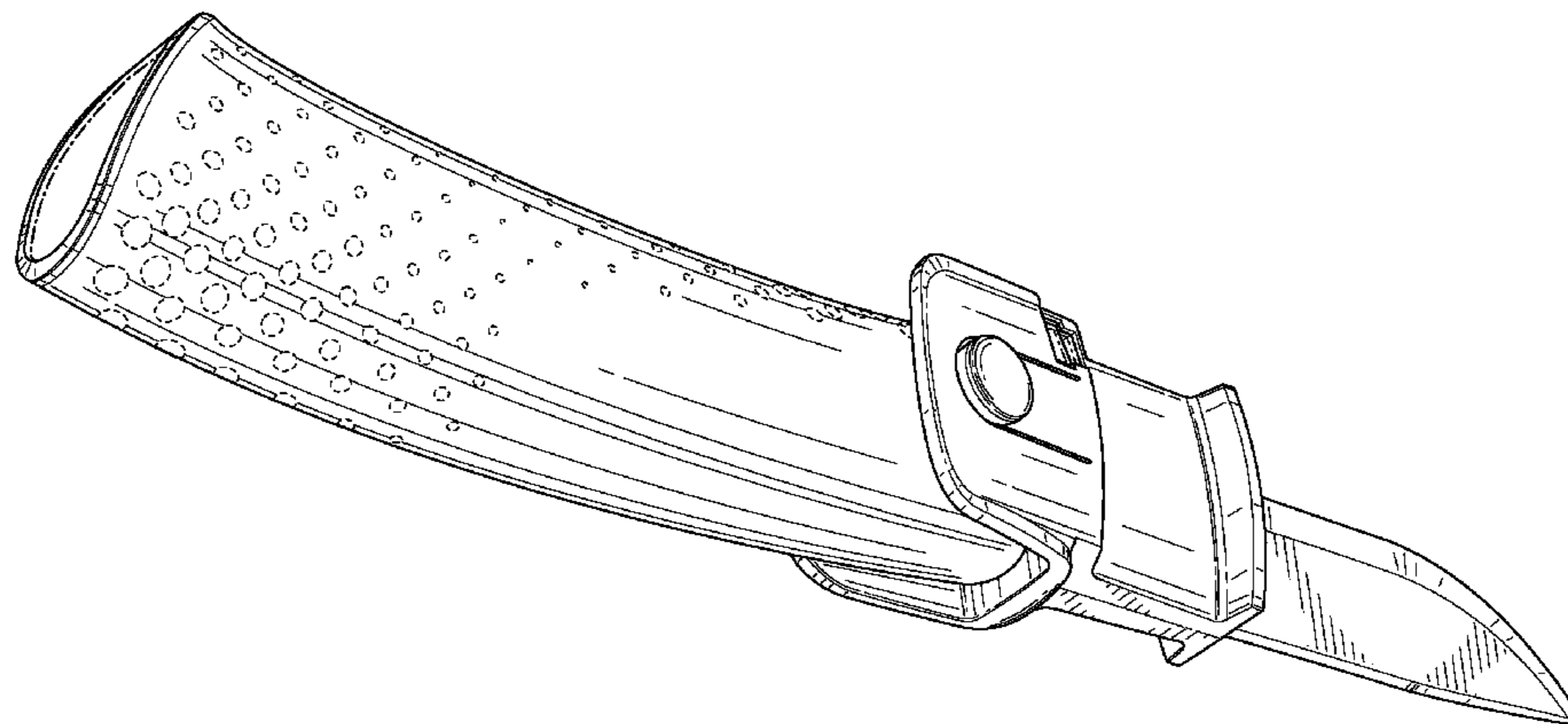
FIG. 5 is a front view thereof;

FIG. 6 is a top view thereof; and,

FIG. 7 is a bottom view thereof.

The broken lines and the areas within them depict portions of the knife that form no part of the claimed design. The dot dash dot broken lines depict boundaries of the claim and form no part thereof.

**1 Claim, 5 Drawing Sheets**



(56)

References Cited

U.S. PATENT DOCUMENTS

D416,973 S \* 11/1999 Ahlund ..... D22/118  
 D439,495 S 3/2001 McCalla et al.  
 D519,798 S 5/2006 Dallas  
 D519,818 S 5/2006 Knopow et al.  
 D553,468 S 10/2007 Freeman  
 D567,033 S \* 4/2008 Seidenfaden ..... D7/649  
 D568,695 S \* 5/2008 Seidenfaden ..... D7/649  
 D581,241 S 11/2008 Freeman  
 D582,243 S 12/2008 Freeman et al.  
 D582,747 S 12/2008 Freeman et al.  
 D610,646 S 2/2010 Harsey, Jr. et al.  
 D614,933 S 5/2010 Freeman et al.  
 D631,292 S \* 1/2011 Bodum ..... D7/401.2  
 D636,051 S 4/2011 Freeman et al.  
 D636,052 S 4/2011 Freeman et al.  
 D636,053 S 4/2011 Freeman et al.  
 D638,903 S 5/2011 Norling  
 D638,904 S 5/2011 Freeman et al.  
 D639,632 S 6/2011 Freeman et al.  
 8,046,922 B2 11/2011 Eby et al.  
 D661,169 S 6/2012 Tinius  
 D661,367 S 6/2012 Seeds et al.  
 D696,567 S 12/2013 Leh et al.  
 D696,919 S 1/2014 Leh et al.  
 D696,920 S 1/2014 Cagampang et al.  
 D699,315 S 2/2014 Seeds et al.  
 D700,675 S 3/2014 Seeds et al.

D704,009 S 5/2014 Wandrup  
 D708,476 S 7/2014 Wandrup  
 D708,477 S 7/2014 Wandrup  
 D708,488 S 7/2014 Wandrup  
 D709,982 S 7/2014 Freeman et al.  
 D709,983 S 7/2014 Cagampang  
 D716,127 S 10/2014 Leh et al.  
 8,893,389 B2 11/2014 Freeman  
 D720,969 S 1/2015 Lipscomb et al.  
 8,959,780 B2 2/2015 Masalin et al.  
 D724,312 S 3/2015 Wikstrom et al.  
 D737,110 S 8/2015 Schuft  
 9,144,201 B2 9/2015 Vanttila et al.  
 D741,680 S 10/2015 Hunter et al.  
 9,174,348 B2 11/2015 Savolainen et al.  
 D744,299 S 12/2015 Lipscomb et al.  
 D744,793 S 12/2015 Lipscomb et al.  
 D746,585 S 1/2016 Burge et al.  
 D747,160 S 1/2016 Makela  
 D747,161 S 1/2016 Makela  
 D749,392 S 2/2016 Salojarvi et al.  
 D749,917 S 2/2016 Roberts et al.  
 9,296,116 B2 3/2016 Descombes et al.  
 D784,007 S 4/2017 Sokka et al.  
 9,770,837 B2 9/2017 Heine et al.  
 D809,863 S \* 2/2018 Yamada ..... D7/401.2  
 D814,886 S \* 4/2018 McMahan ..... D7/650  
 D822,444 S \* 7/2018 McGuyer ..... D7/649  
 2006/0080840 A1 \* 4/2006 Freeman ..... B26B 3/06  
 30/151

\* cited by examiner

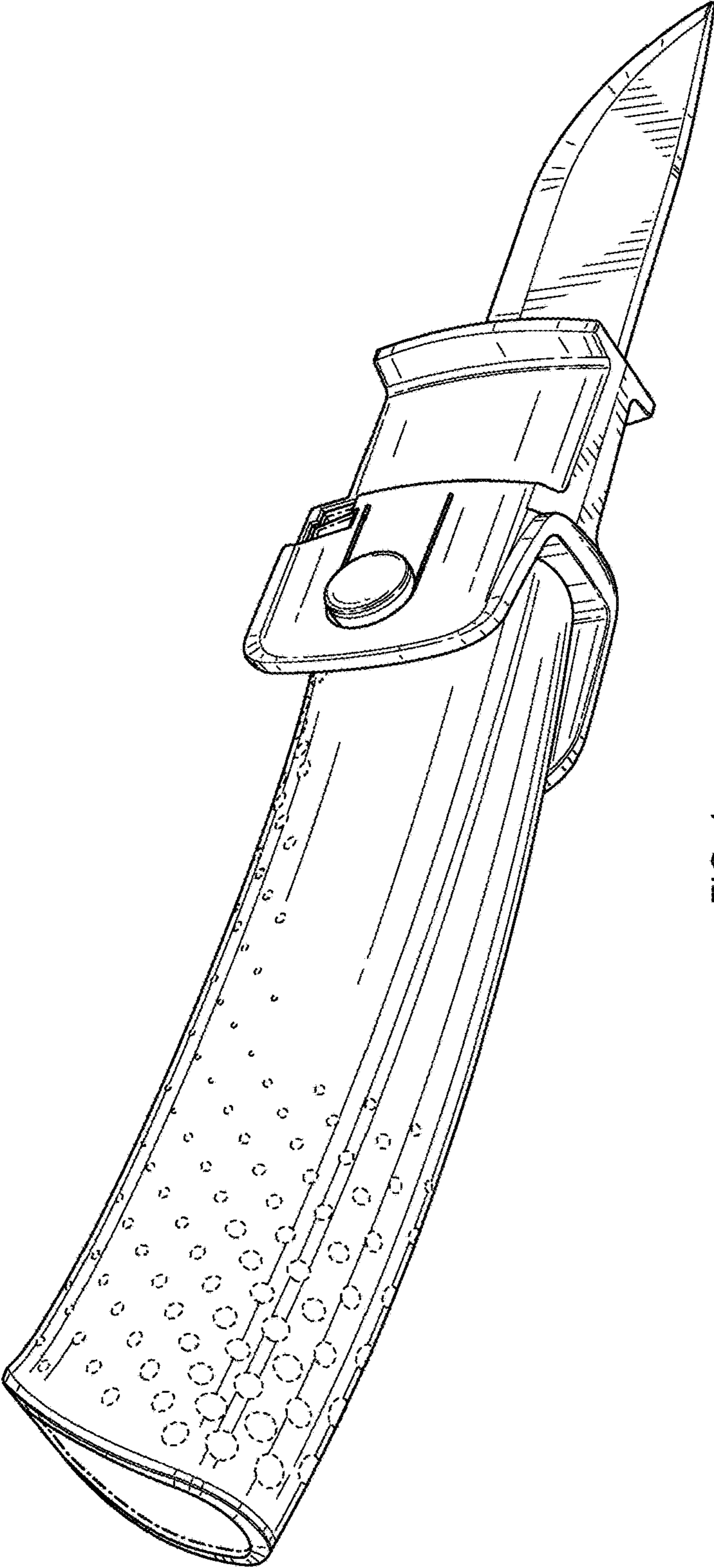


FIG. 1

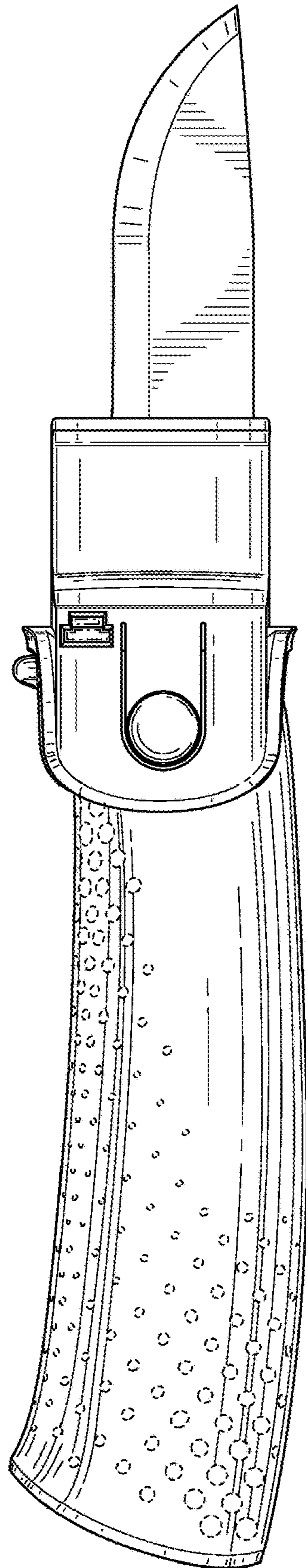


FIG. 2

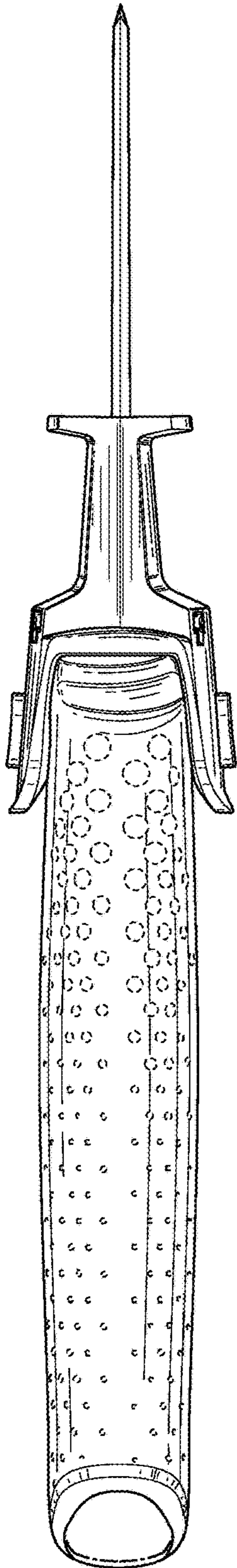


FIG. 3

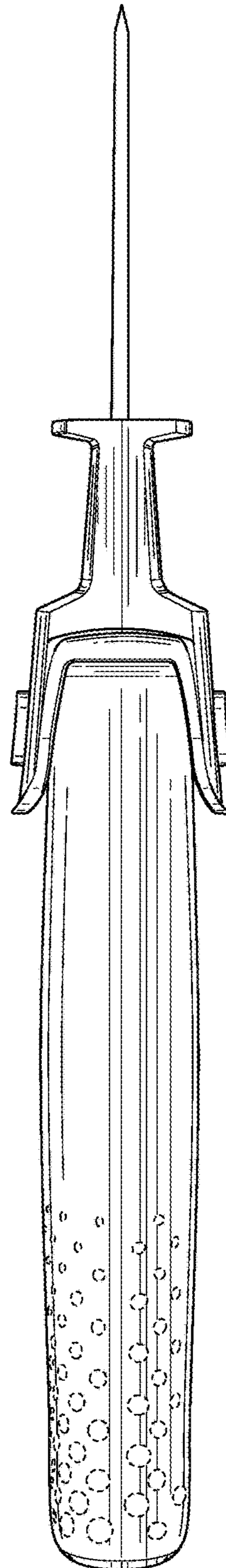


FIG. 4

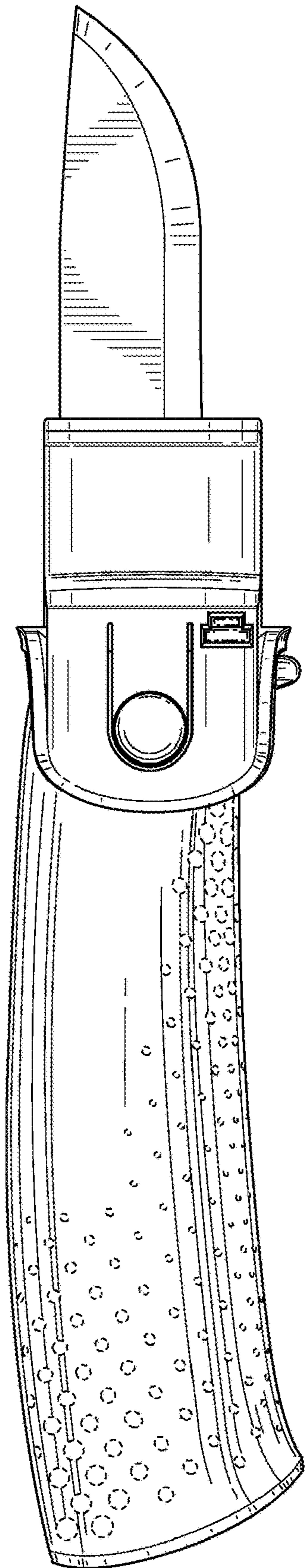


FIG. 5

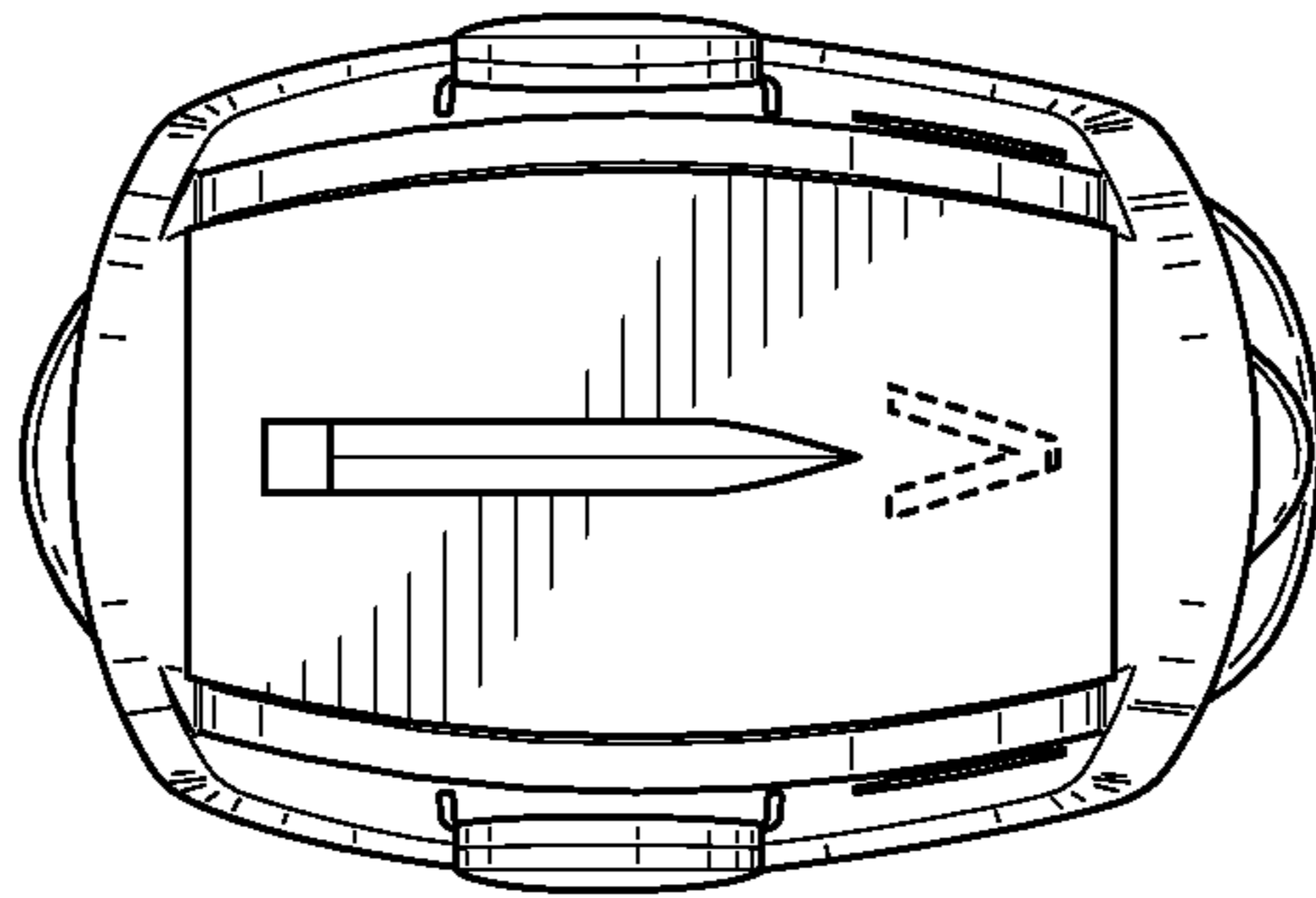


FIG. 6

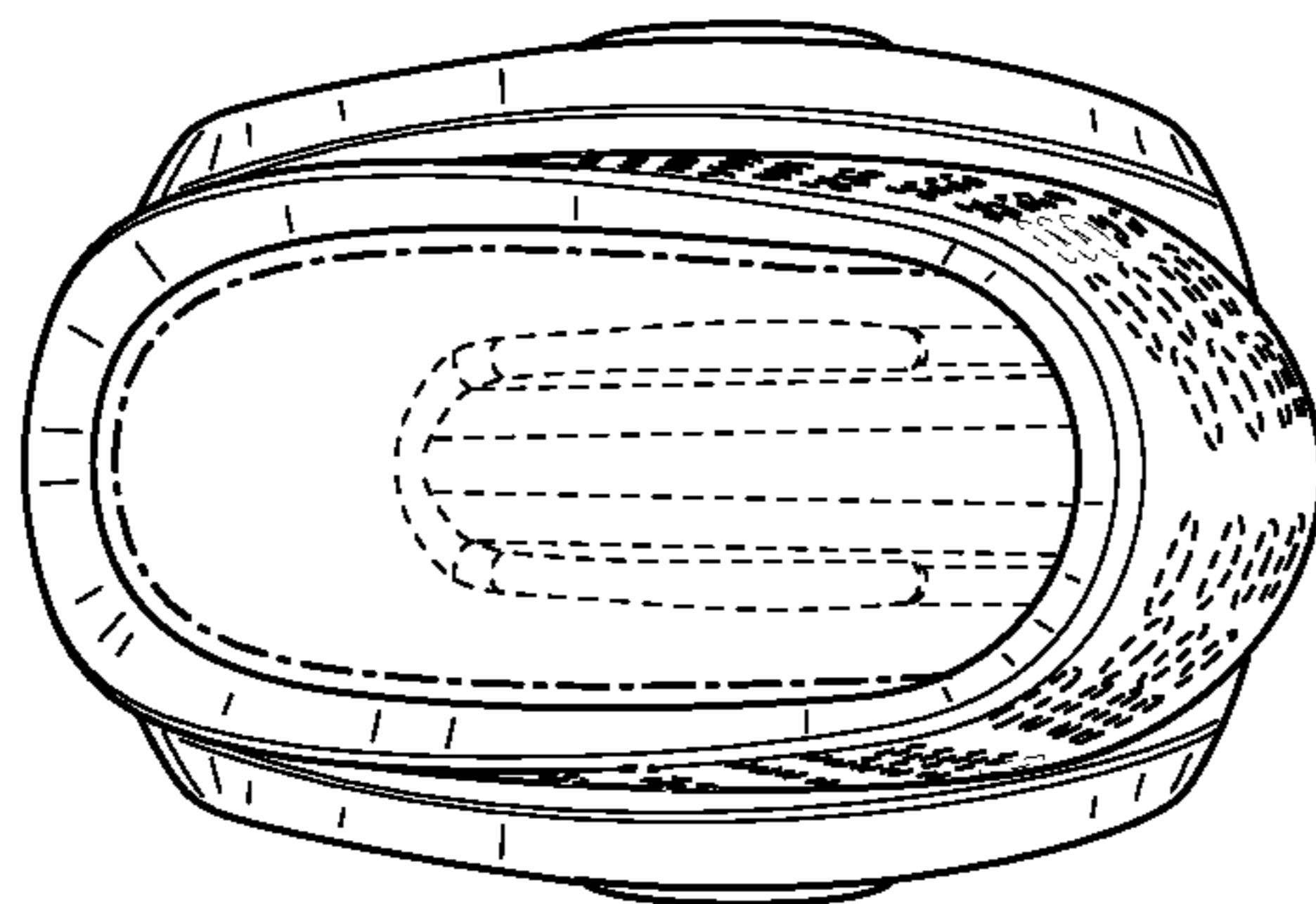


FIG. 7