



US00D850568S

(12) **United States Design Patent** (10) **Patent No.:** **US D850,568 S**  
**Noller et al.** (45) **Date of Patent:** **\*\* Jun. 4, 2019**

(54) <b>OPTICAL DEVICE RETICLE</b>	4,584,776 A	4/1986	Shepherd
	D285,540 S	9/1986	Allen
(71) Applicant: <b>Burriss Company, Inc.</b> , Greeley, CO (US)	4,789,231 A	12/1988	Shimizu
	D306,173 S	2/1990	Reese
	5,491,546 A	2/1996	Wascher et al.
(72) Inventors: <b>Martin Noller</b> , Greeley, CO (US); <b>Sky Leighton</b> , Greeley, CO (US); <b>Patrick Beckett</b> , Greeley, CO (US); <b>RJ Dussart</b> , Greeley, CO (US); <b>Jessie Dussart</b> , Greeley, CO (US); <b>Vu Pham</b> , Greeley, CO (US); <b>Dorgan Trostel</b> , Greeley, CO (US)	D397,704 S	9/1998	Reese
	D403,686 S	1/1999	Reese
	5,920,995 A	7/1999	Sammur
	6,032,374 A	3/2000	Sammur
	6,357,158 B1	3/2002	Smith, III
	D475,758 S	6/2003	Ishikawa
	6,591,537 B2	7/2003	Smith
	D517,153 S	3/2006	Timm et al.

(Continued)

(73) Assignee: **BURRIS COMPANY, INC.**, Greeley, CO (US)

(\*\*) Term: **15 Years**

(21) Appl. No.: **29/604,065**

(22) Filed: **May 15, 2017**

**Related U.S. Application Data**

(62) Division of application No. 29/524,216, filed on Apr. 17, 2015, now Pat. No. Des. 805,156.

(51) **LOC (11) Cl.** ..... **22-01**

(52) **U.S. Cl.**  
USPC ..... **D22/109**

(58) **Field of Classification Search**  
USPC ..... D22/109; D16/130-133, 134-136; D14/404  
CPC ... F41G 1/38; F41G 1/473; F41G 3/08; F41G 3/06; F41G 3/00; F41G 1/00  
See application file for complete search history.

(56) **References Cited**

U.S. PATENT DOCUMENTS

3,190,003 A	6/1965	O'Brien
3,392,450 A	7/1968	Herter et al.
4,285,137 A	8/1981	Jennie

OTHER PUBLICATIONS

Burriss Catalog, 2010, Radical Reticles by Burriss, pp. 48-53, Burriss Company, Greeley, Colorado, copyright 2009, 8 pages total.

*Primary Examiner* — Michael A. Pratt

(57) **CLAIM**

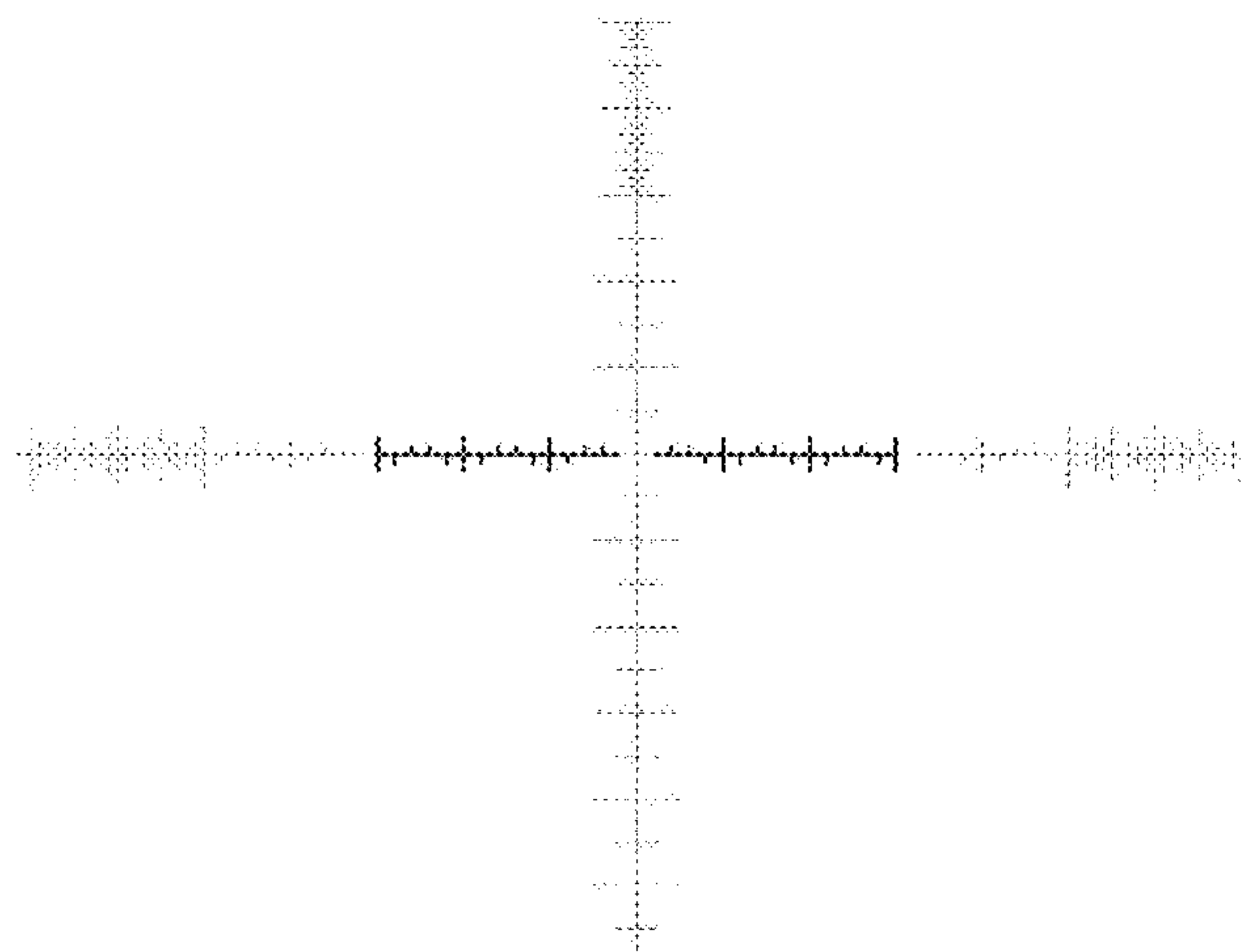
The ornamental design for an optical device reticle, as shown and described.

**DESCRIPTION**

FIG. 1 is a perspective view of an environment for use with an optical device reticle for an optical device;  
FIG. 2 is a view of an embodiment of an optical device reticle for an optical device, as viewed through an eyepiece end of the optical device;  
FIG. 3 is a view of the optical device reticle of FIG. 2; and, FIG. 4 is an enlarged view of the optical device reticle of FIG. 1.

The broken lines showing an optical device in FIG. 1 illustrate an environment which forms no part of the claimed design. The broken lines shown in FIG. 2 illustrate portions of the optical device reticle that do not form a part of the claimed design.

**1 Claim, 4 Drawing Sheets**



(56)

References Cited

U.S. PATENT DOCUMENTS

D522,030 S 5/2006 Jenkinson  
 D530,775 S 10/2006 LaCorte  
 D536,762 S 2/2007 Timm et al.  
 D542,879 S 5/2007 Zaderey et al.  
 D544,511 S 6/2007 Geurts  
 D567,324 S 4/2008 Pride et al.  
 D567,325 S 4/2008 Pride et al.  
 D567,326 S 4/2008 Pride et al.  
 D567,896 S 4/2008 Pride et al.  
 D570,441 S 6/2008 Pride et al.  
 D584,376 S 1/2009 Peters et al.  
 D587,333 S 2/2009 Peters et al.  
 7,603,804 B2 10/2009 Zaderey et al.  
 D609,769 S 2/2010 Lacorte  
 7,654,029 B2 2/2010 Peters et al.  
 D613,362 S 4/2010 Huber  
 D613,363 S 4/2010 Huber  
 D631,125 S 1/2011 Huber  
 D651,682 S 1/2012 Beckett et al.  
 D679,776 S \* 4/2013 Bracken ..... D22/108  
 D679,777 S \* 4/2013 Bracken ..... D22/108

D680,187 S \* 4/2013 Bracken ..... D22/108  
 D683,418 S 5/2013 Beckett et al.  
 D684,653 S 6/2013 Smith et al.  
 D703,784 S 4/2014 Smith  
 D716,905 S 11/2014 Beckett et al.  
 9,068,799 B1 \* 6/2015 Wu ..... F41G 1/473  
 9,250,038 B2 \* 2/2016 Sammut ..... F41G 1/38  
 9,255,771 B2 2/2016 Sammut  
 9,335,123 B2 5/2016 Sammut  
 D783,113 S 4/2017 Noller et al.  
 D783,114 S 4/2017 Noller et al.  
 D783,115 S \* 4/2017 Noller ..... D22/109  
 D805,156 S \* 12/2017 Noller ..... D22/109  
 2004/0016168 A1 1/2004 Thomas et al.  
 2005/0005495 A1 1/2005 Smith  
 2005/0229468 A1 10/2005 Zaderey et al.  
 2007/0044364 A1 3/2007 Sammut et al.  
 2007/0097351 A1 5/2007 York et al.  
 2008/0098640 A1 5/2008 Sammut et al.  
 2014/0068993 A1 3/2014 Mikroulis  
 2015/0362288 A1 \* 12/2015 Sammut ..... F41G 3/08  
 235/404  
 2016/0153749 A1 6/2016 Sammut  
 2016/0202021 A1 7/2016 Roman

\* cited by examiner

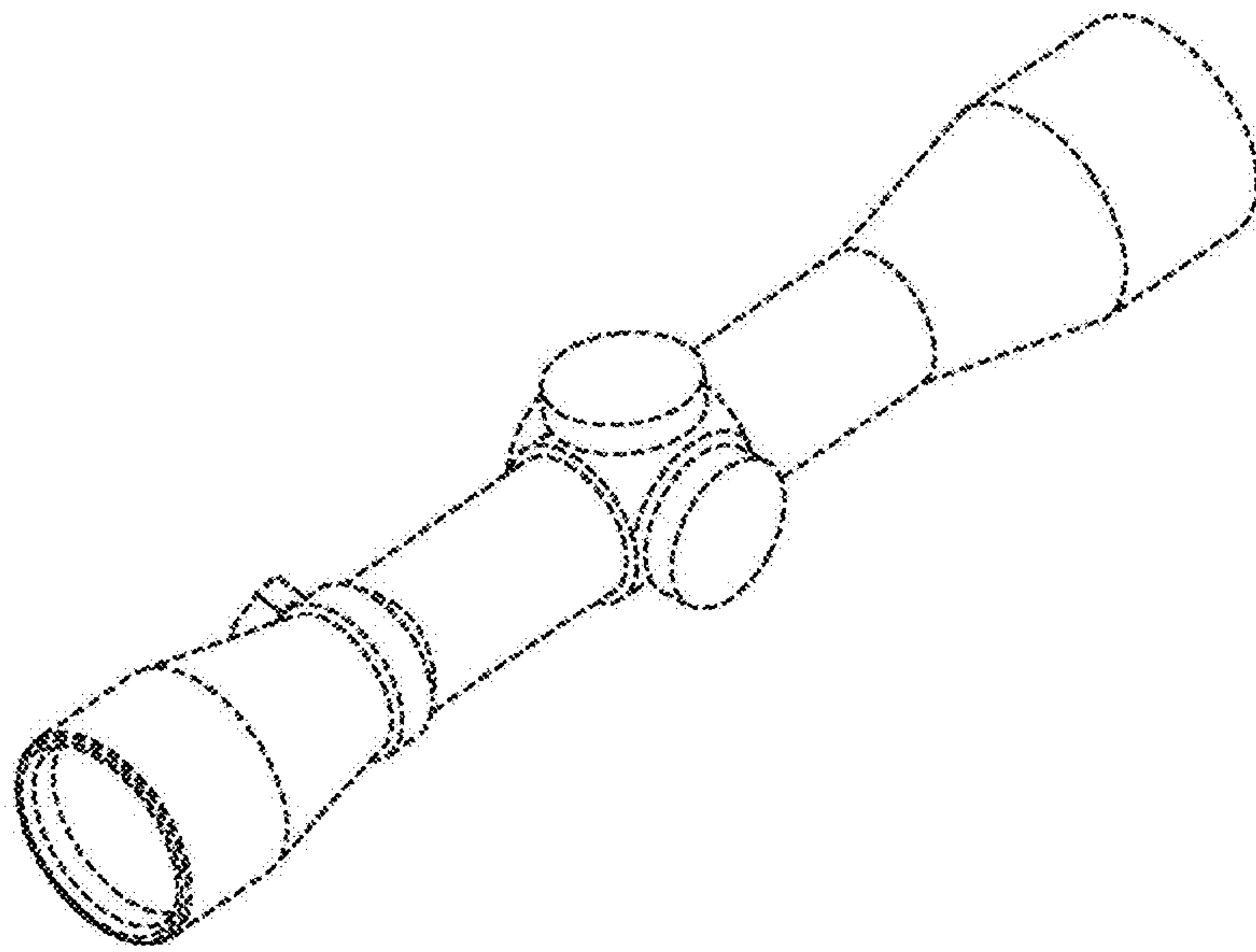


FIG. 1

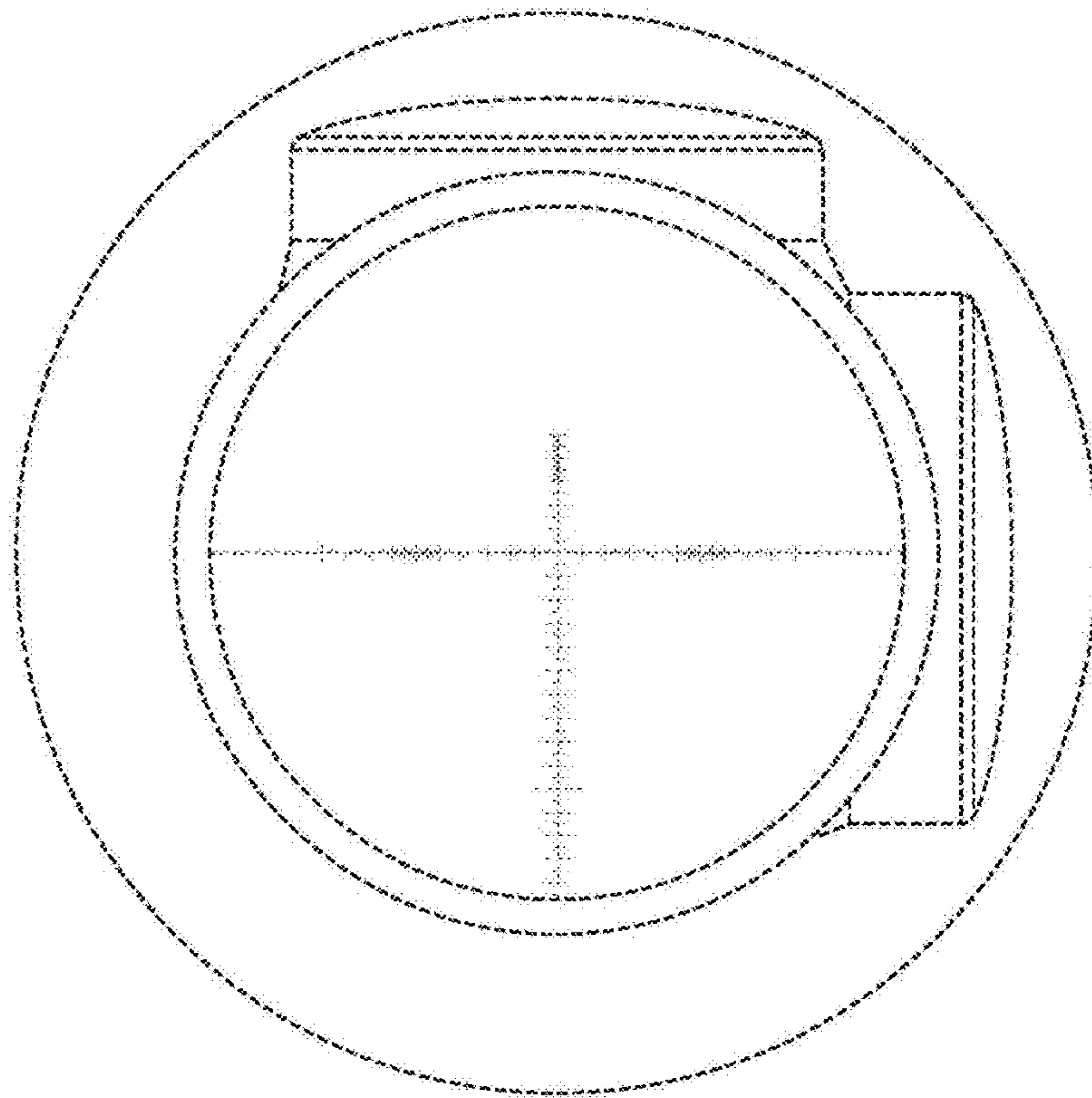


FIG. 2

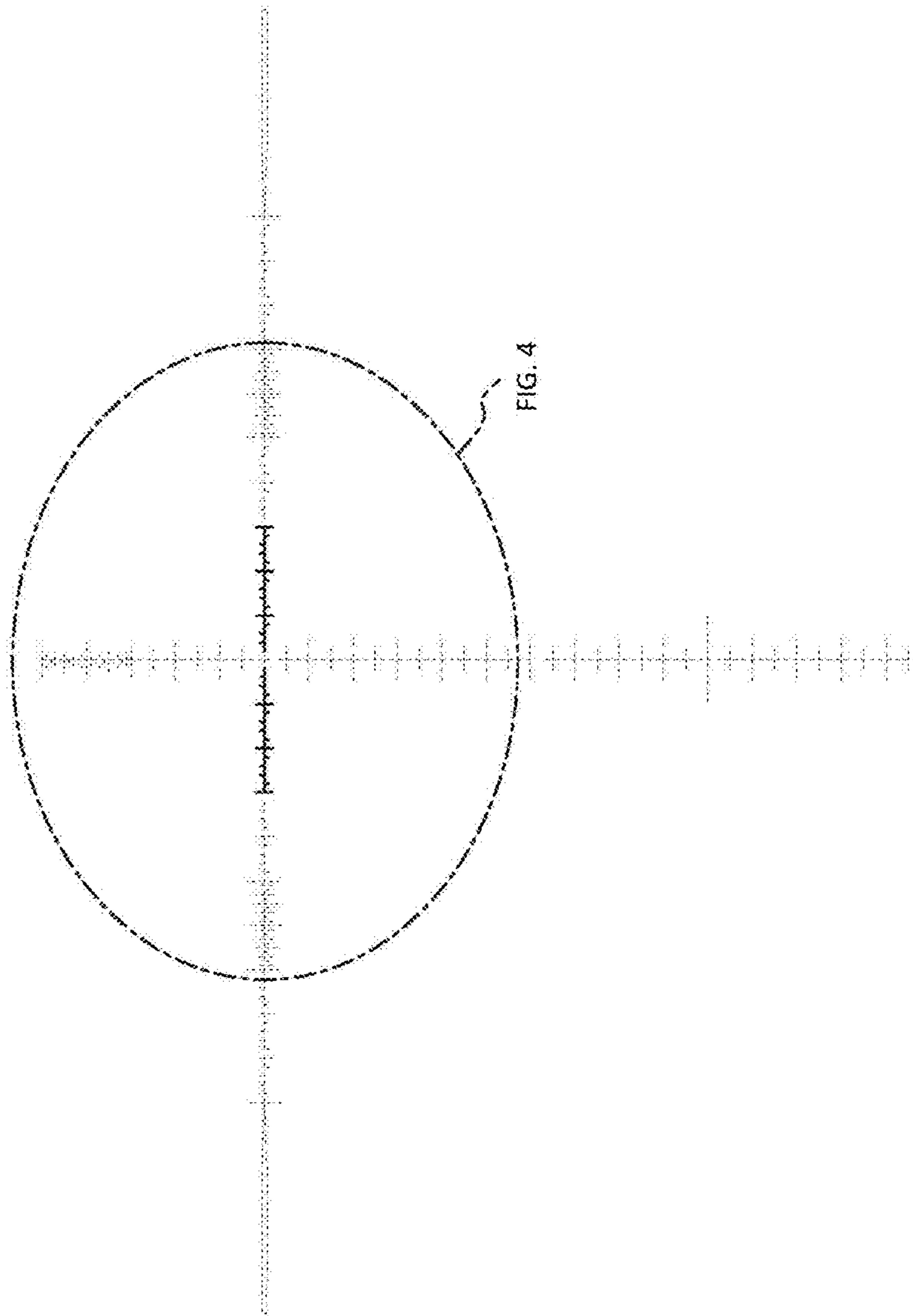


FIG. 3

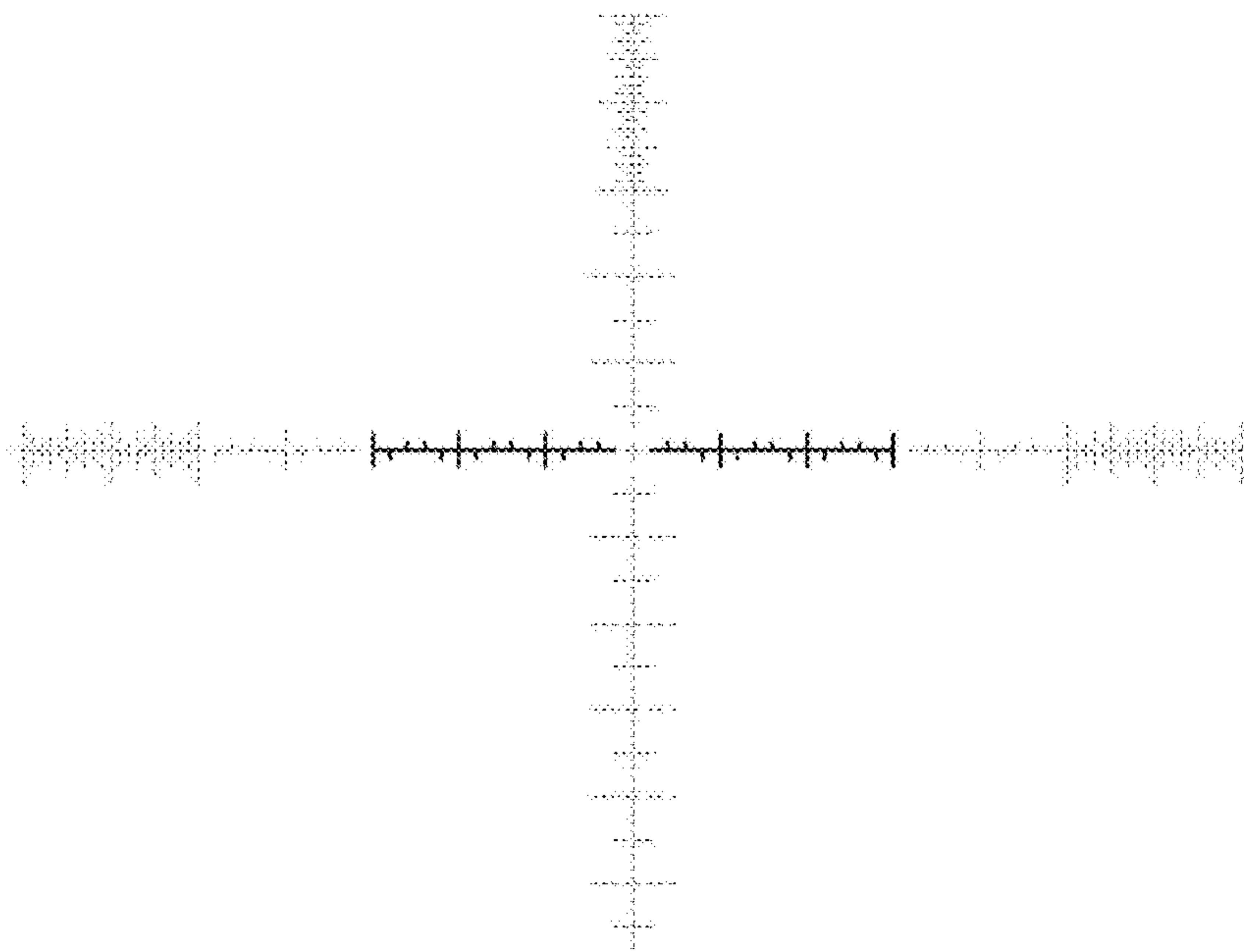


FIG. 4