



US00D850561S

(12) **United States Design Patent**
Saadon

(10) **Patent No.:** **US D850,561 S**

(45) **Date of Patent:** **** Jun. 4, 2019**

(54) **VERTICAL GRIP**

(71) Applicant: **FXD, LLC**, Killeen, TX (US)

(72) Inventor: **Marschell B Saadon**, Killeen, TX (US)

(73) Assignee: **FXD, LLC**, Austin, TX (US)

(**) Term: **15 Years**

(21) Appl. No.: **29/642,759**

(22) Filed: **Apr. 2, 2018**

Related U.S. Application Data

(62) Division of application No. 29/556,379, filed on Feb. 29, 2016, now Pat. No. Des. 814,594.

(51) **LOC (11) Cl.** **22-01**

(52) **U.S. Cl.**
USPC **D22/108**

(58) **Field of Classification Search**
USPC D8/68, 83, 303; D22/103, 108
CPC F41C 23/10; F41C 23/14; F41C 23/16;
F41C 23/18
See application file for complete search history.

(56) **References Cited**

U.S. PATENT DOCUMENTS

7,490,429 B2 * 2/2009 Moody F41A 23/08
248/171
D633,163 S * 2/2011 Fitzpatrick D22/108
D639,888 S * 6/2011 McPherson D22/107
D644,707 S * 9/2011 Faifer D22/108
D660,934 S * 5/2012 Faifer D22/108

D704,298 S * 5/2014 Cheng D22/109
D740,098 S * 10/2015 Kuo D8/303
D745,628 S * 12/2015 Barfoot D22/108
D749,186 S * 2/2016 Cheng D22/108
D763,393 S * 8/2016 Freed D22/108
D783,756 S * 4/2017 McPherson D22/107
D787,002 S * 5/2017 Hawkins D22/108
D803,967 S * 11/2017 Saadon D22/108
D814,594 S * 4/2018 Saadon D22/108
D814,595 S * 4/2018 Saadon D22/108
2010/0005696 A1 * 1/2010 Moody F41A 23/10
42/94

* cited by examiner

Primary Examiner — Karen S Acker

Assistant Examiner — Steven B Reinholdt, Jr.

(57) **CLAIM**

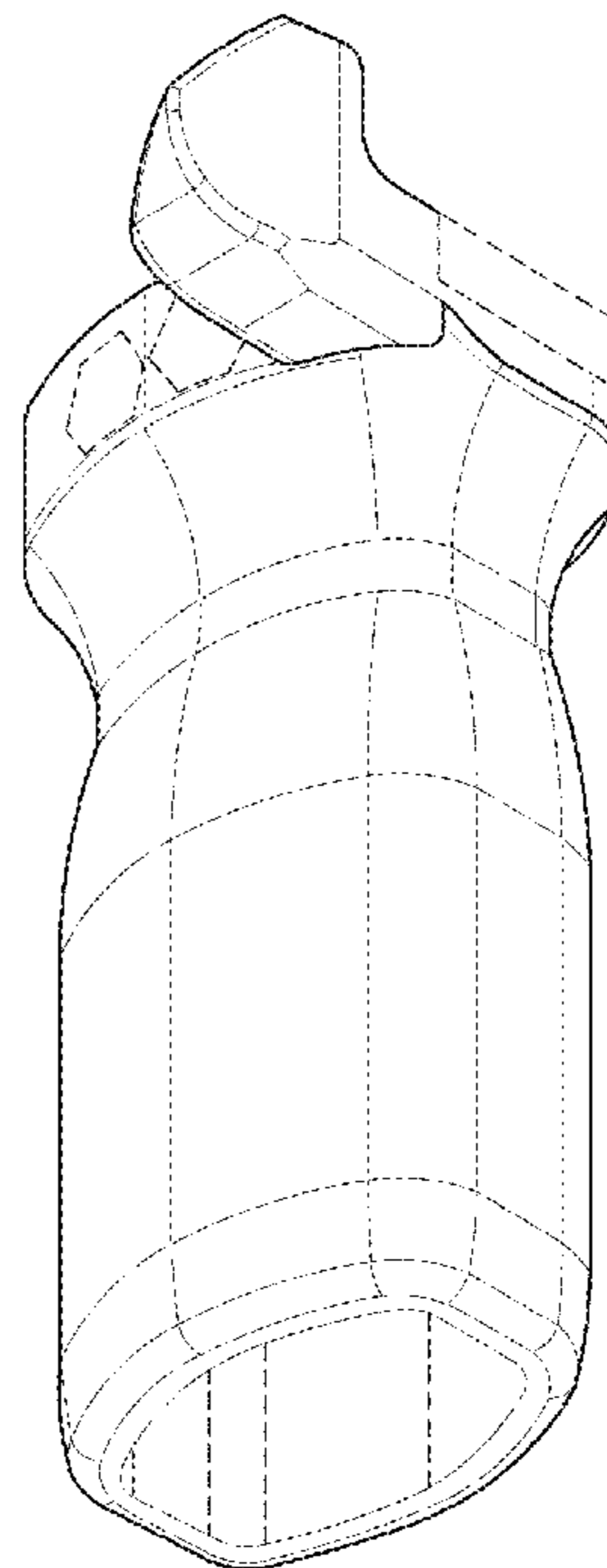
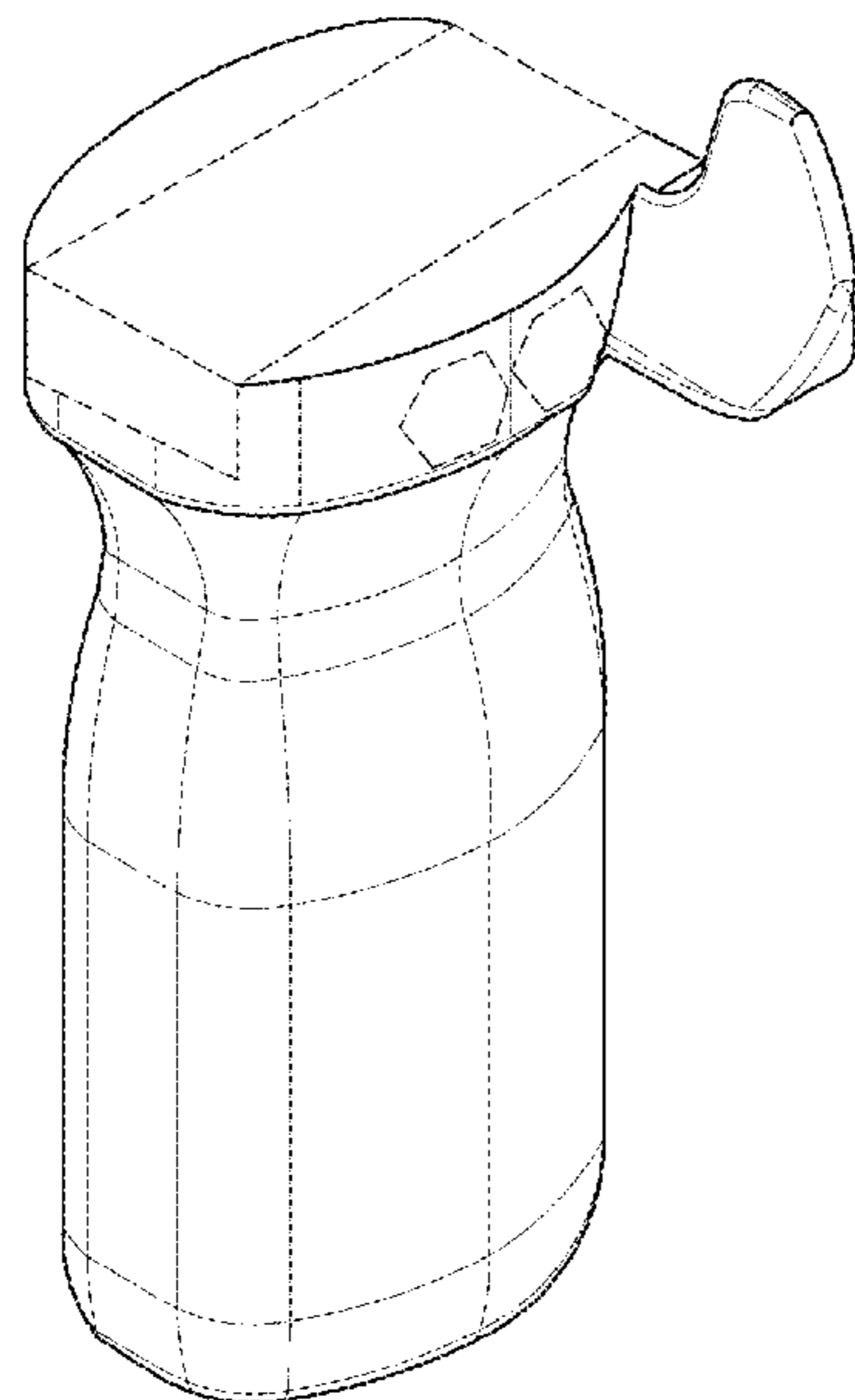
The ornamental design for a vertical grip, as shown and described.

DESCRIPTION

FIG. 1 is a rear and side perspective view of a vertical grip.
FIG. 2 is a front and side perspective view thereof.
FIG. 3 is a side view thereof.
FIG. 4 is a front view thereof.
FIG. 5 is a rear view thereof; and,
FIG. 6 is a side view of the vertical grip in use configuration with an unclaimed firearm.

The broken lines in the figures represent portions of the vertical grip that form no part of the claimed design. The broken lines in FIG. 6 depict an unclaimed rifle included for environmental context and form no part of the claimed design.

1 Claim, 6 Drawing Sheets



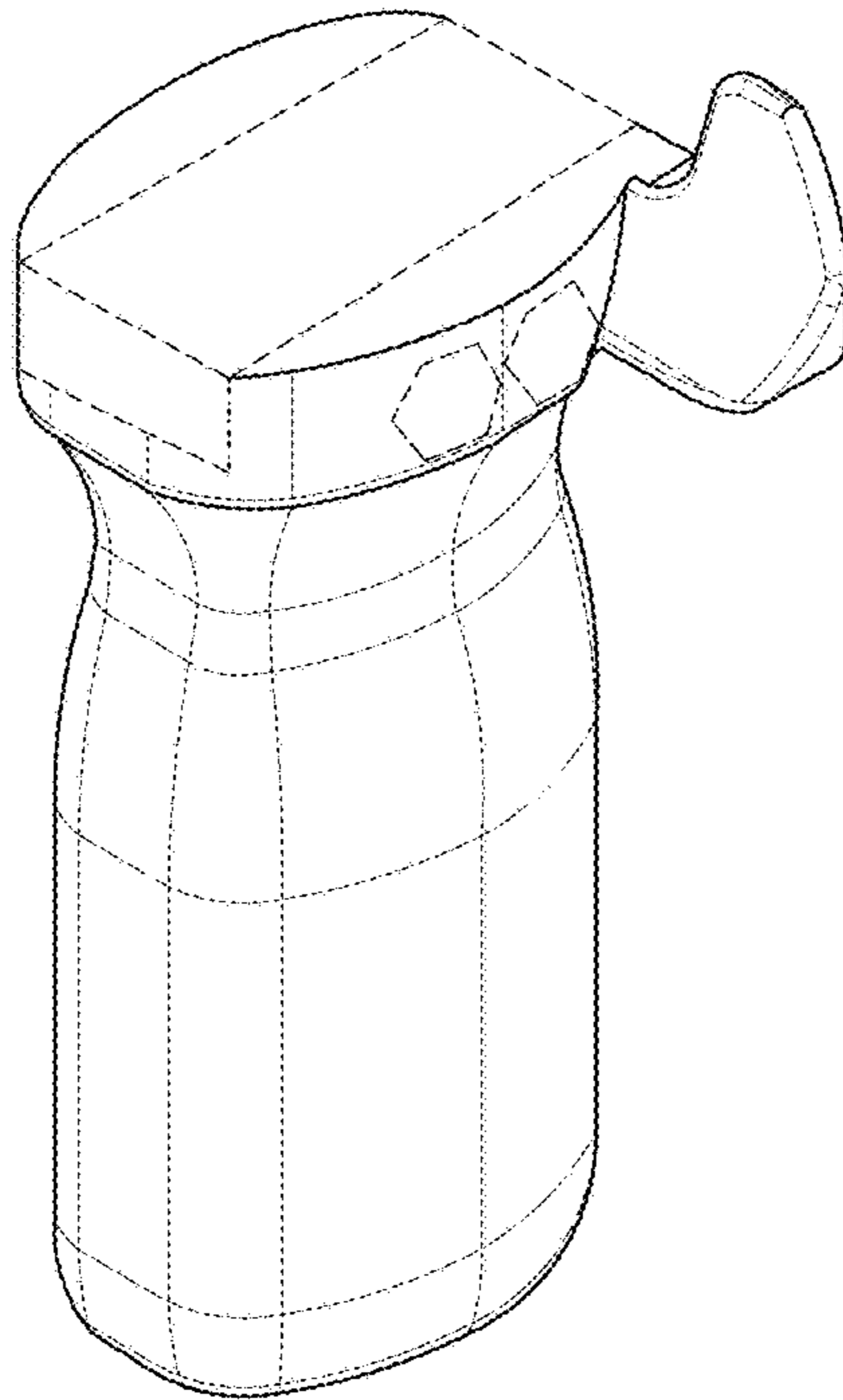


FIG. 1

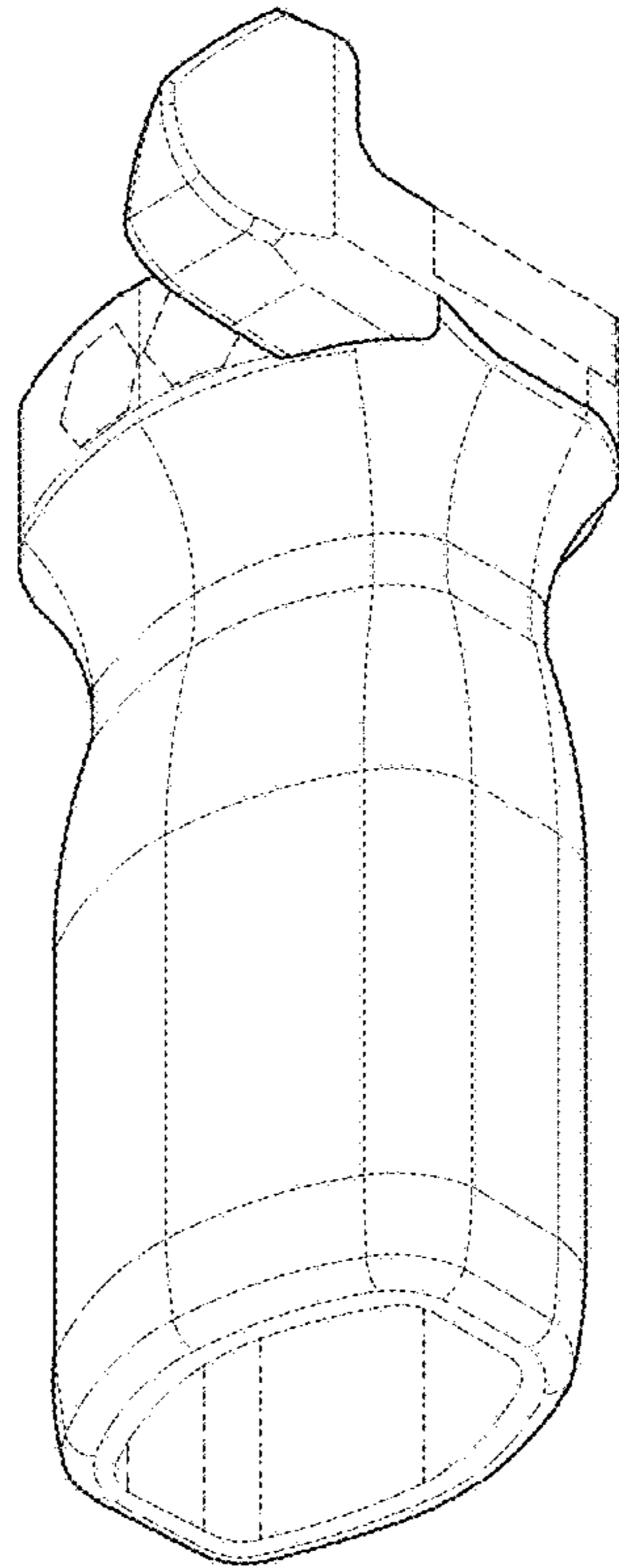


FIG. 2

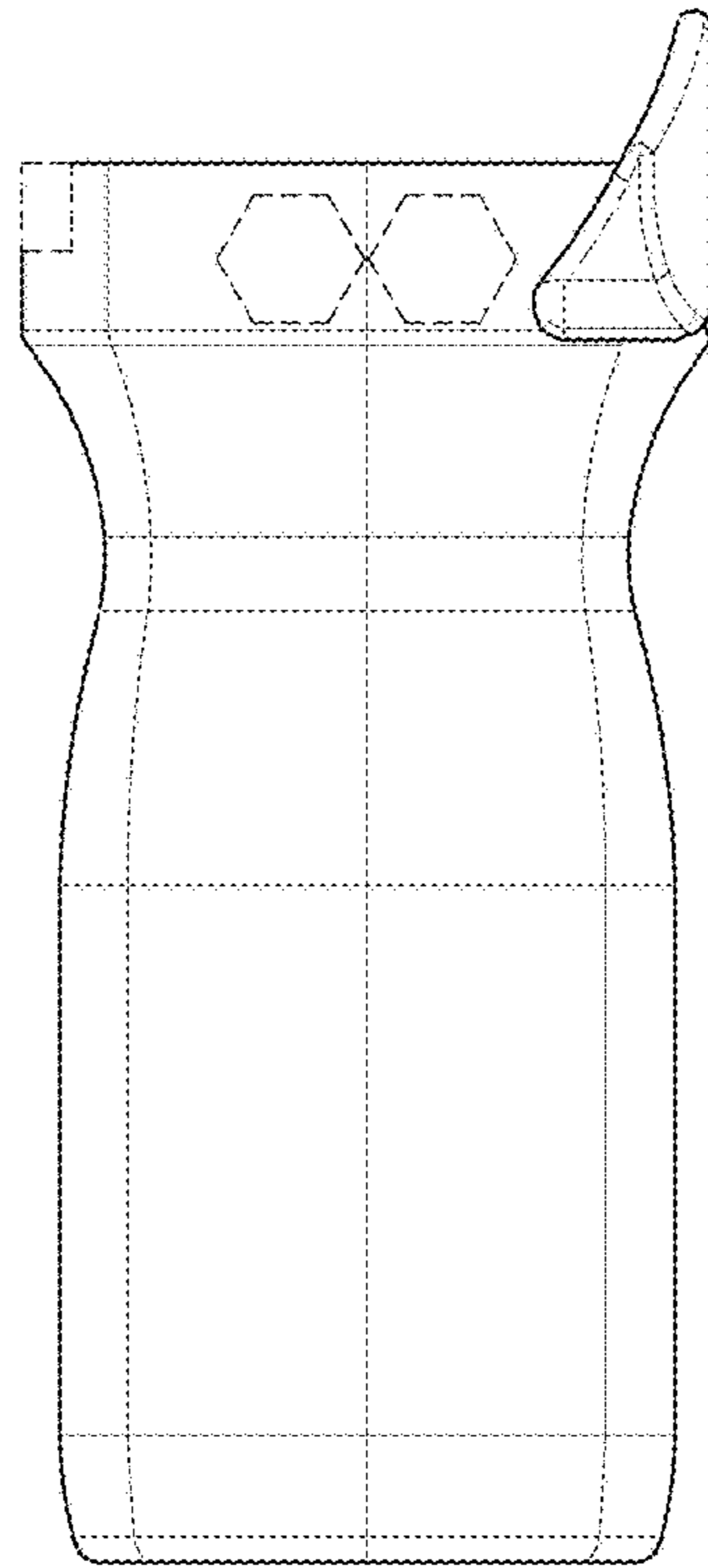


FIG. 3

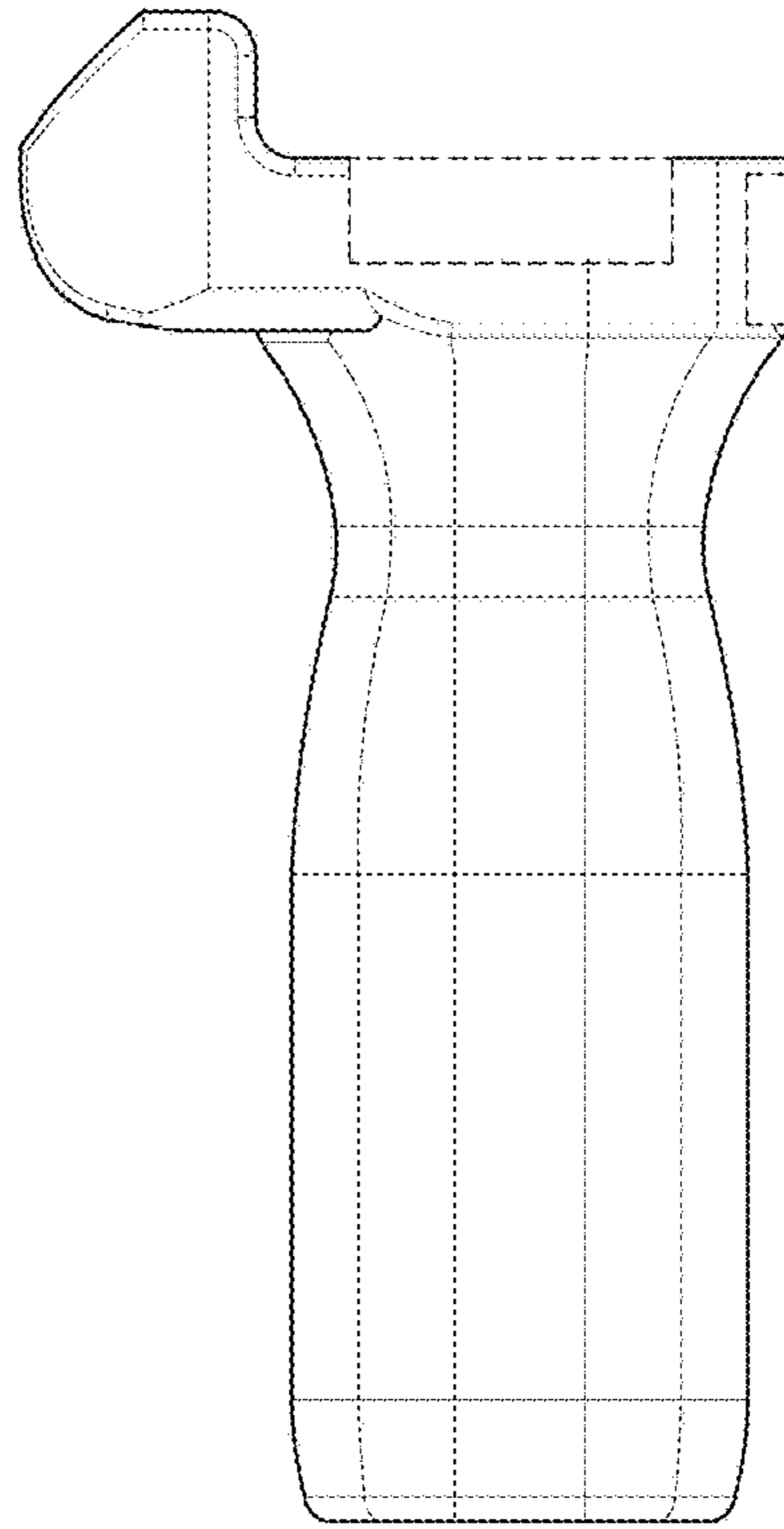


FIG. 4

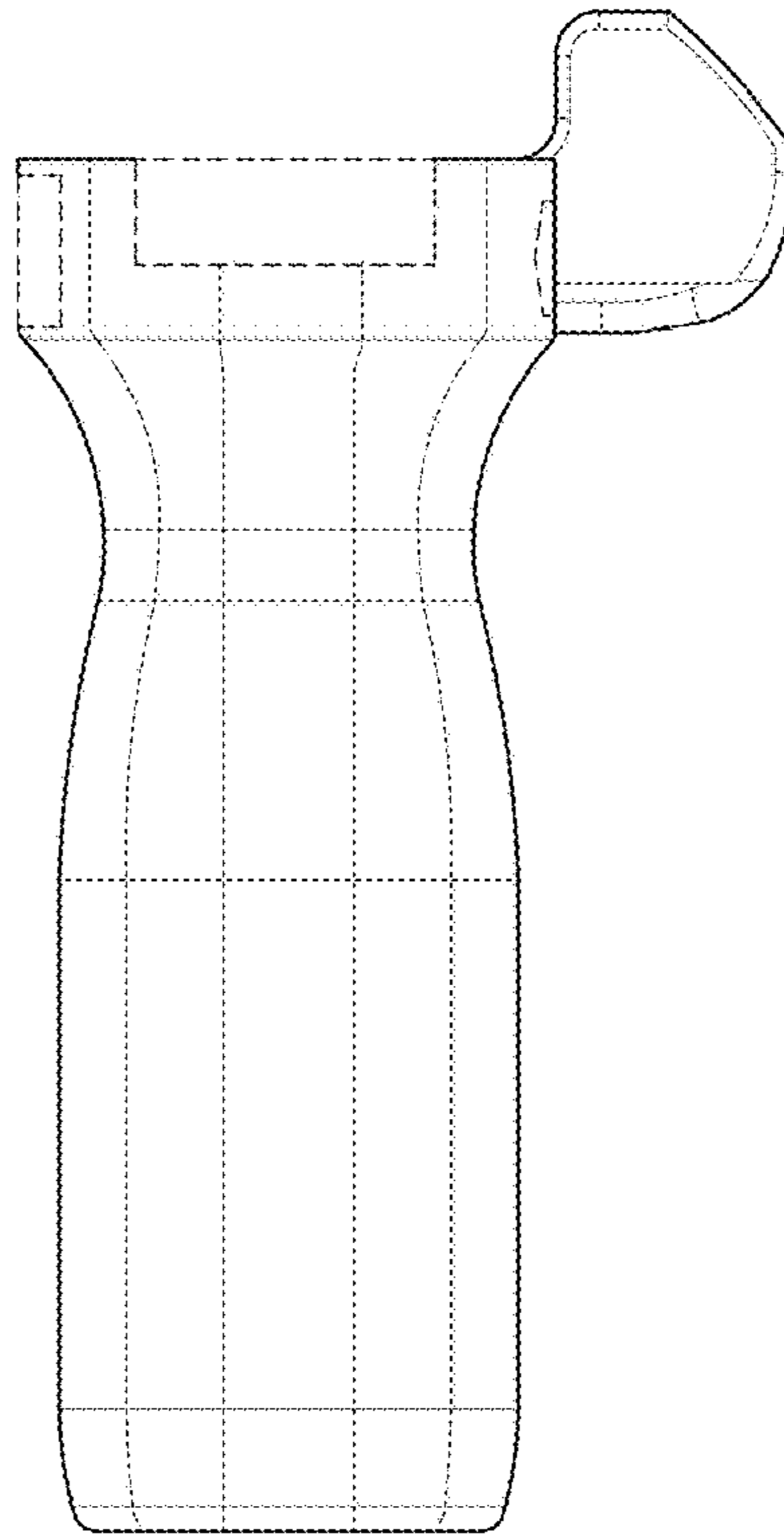


FIG. 5

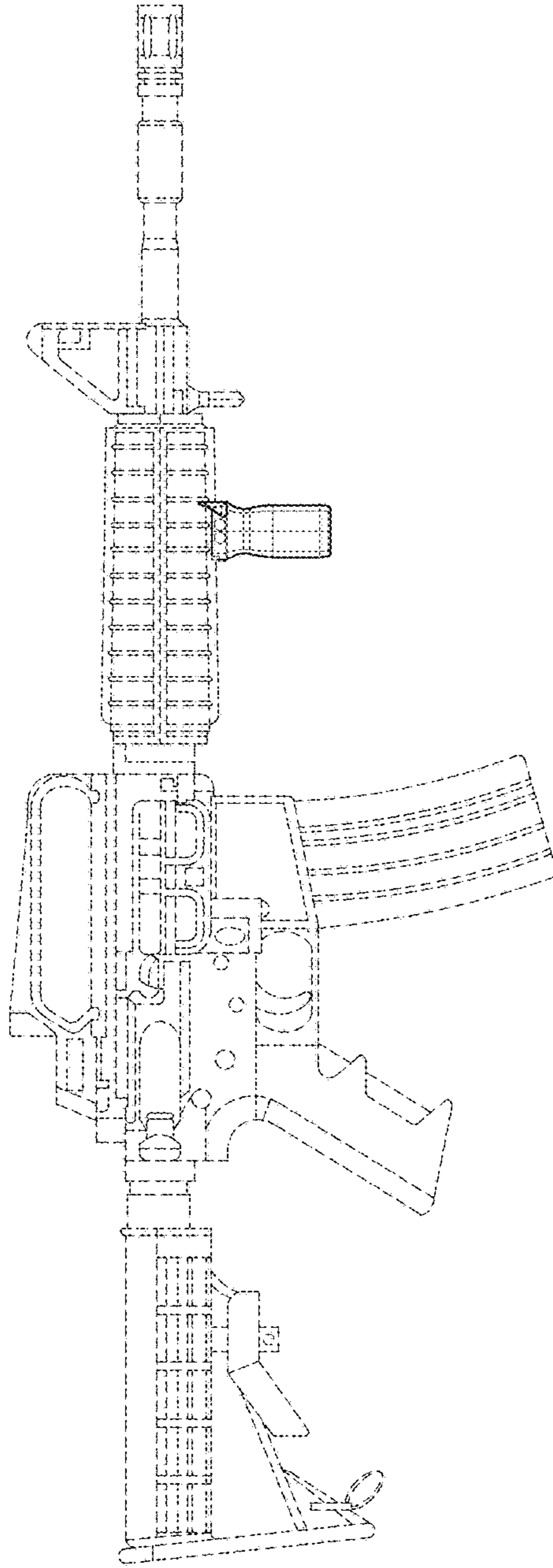


FIG. 6