

US00D850559S

(12) **United States Design Patent** (10) **Patent No.:** **US D850,559 S**  
**Hoang** (45) **Date of Patent:** **\*\* Jun. 4, 2019**

(54) **PAD FOR GUN BUTTSTOCK**

FOREIGN PATENT DOCUMENTS

(71) Applicant: **Khoi Hoang**, Mobile, AL (US)

DE 2800060 A1 \* 7/1979 ..... F01N 13/1805

(72) Inventor: **Khoi Hoang**, Mobile, AL (US)

OTHER PUBLICATIONS

(\*\*) Term: **15 Years**

DoubleTapp Buttstock Cheek pad for Magpul STR, posted at Amazon, review posted Jul. 30, 2017. [Site visited Nov. 20, 2018] URL: <https://www.amazon.com/DoubleTapp-Buttstock-Cheek-pad-Magpul/dp/B071ZZJCLQ> (Year: 2017).\*

(21) Appl. No.: **29/603,229**

(22) Filed: **May 8, 2017**

*Primary Examiner* — Kevin K Rudzinski

(51) **LOC (11) Cl.** ..... **22-01**

*Assistant Examiner* — Kathleen L Jones

(52) **U.S. Cl.**

(74) *Attorney, Agent, or Firm* — AdamsIP, LLC; Gary N. Stewart; Stephen Thompson

USPC ..... **D22/108**; D22/199

(58) **Field of Classification Search**

(57) **CLAIM**

USPC ..... D22/101, 107–111

The ornamental design for a pad for a gun buttstock, as shown and described.

CPC ..... F41C 23/10; F41C 23/14; F41C 23/16;

F41C 23/18

**DESCRIPTION**

See application file for complete search history.

FIG. 1 is a front perspective view of a pad for a gun buttstock incorporating my new design;

(56) **References Cited**

U.S. PATENT DOCUMENTS

2,884,171 A \* 4/1959 Knuth ..... A47G 25/26  
223/89

FIG. 2 is a front elevation view thereof;

4,977,893 A \* 12/1990 Hunt ..... A61F 13/06  
128/846

FIG. 3 is a rear elevation view thereof;

5,437,423 A \* 8/1995 Sinclair ..... A63B 55/50  
248/96

FIG. 4 is a top plan view thereof;

5,771,807 A \* 6/1998 Moss ..... B41F 13/08  
101/375

FIG. 5 is a bottom plan view thereof;

5,873,490 A \* 2/1999 Walpole ..... B65D 83/0005  
222/105

FIG. 6 is a right side view thereof;

5,970,642 A \* 10/1999 Martin ..... F41C 23/14  
42/73

FIG. 7 is a left side view thereof;

6,371,283 B1 \* 4/2002 Manchester ..... B65G 23/44  
198/813

FIG. 8 is a perspective view thereof installed on a gun buttstock; and,

D513,324 S \* 12/2005 Cook ..... D24/192

FIG. 9 is a top plan view thereof installed on a gun buttstock with the charging rod of the gun drawn partially over the pad.

D566,804 S \* 4/2008 Hahin ..... D22/108

The dashed broken lines in the drawings depict environmental subject matter only and form no part of the claimed design. The dot-dot-dash broken lines in FIGS. 1-9 are boundary lines representing the outer bounds of the claimed portion of the design. The pad is made of a flexible material in order to conform to the shape of a gun buttstock, as shown in FIGS. 8-9.

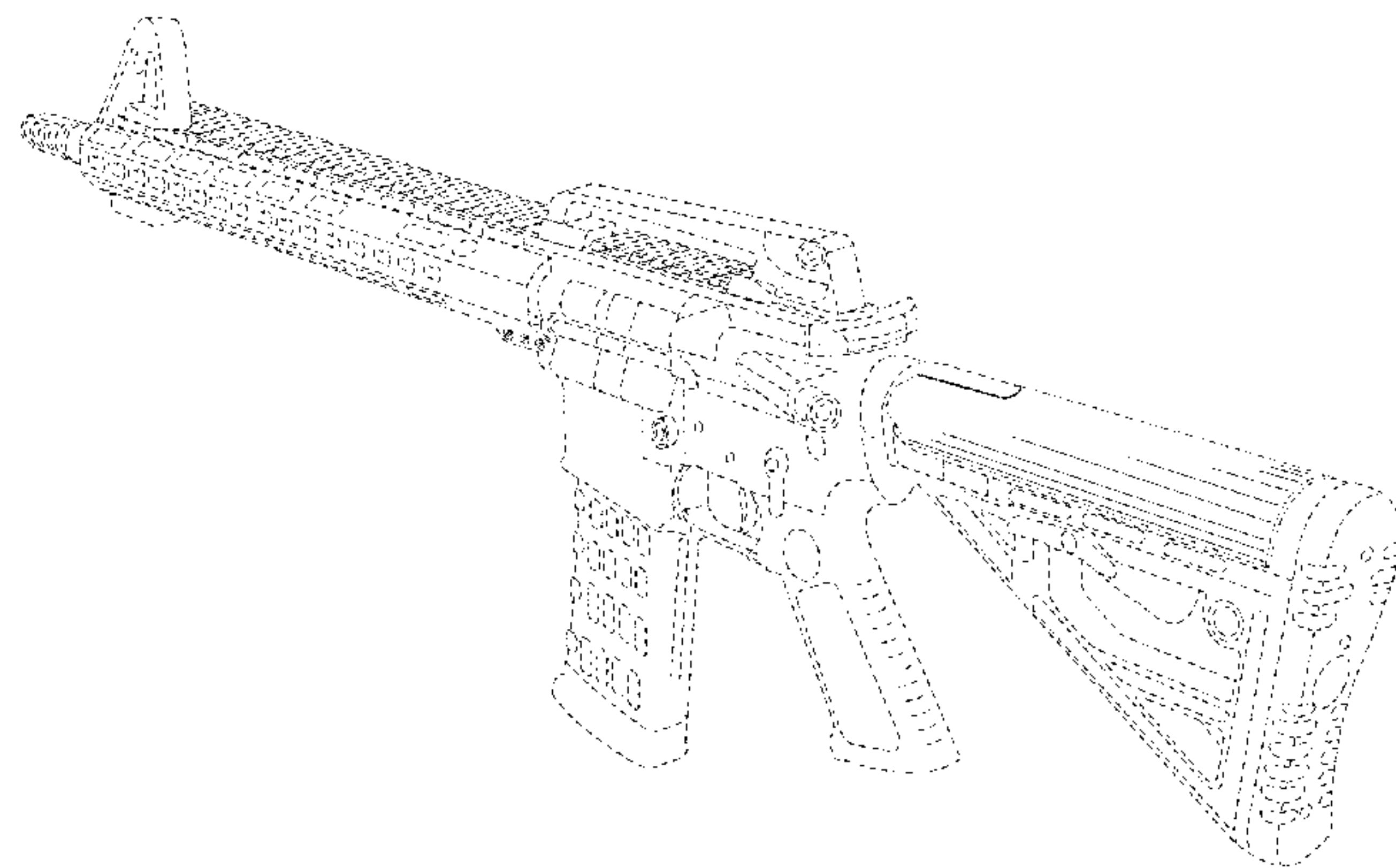
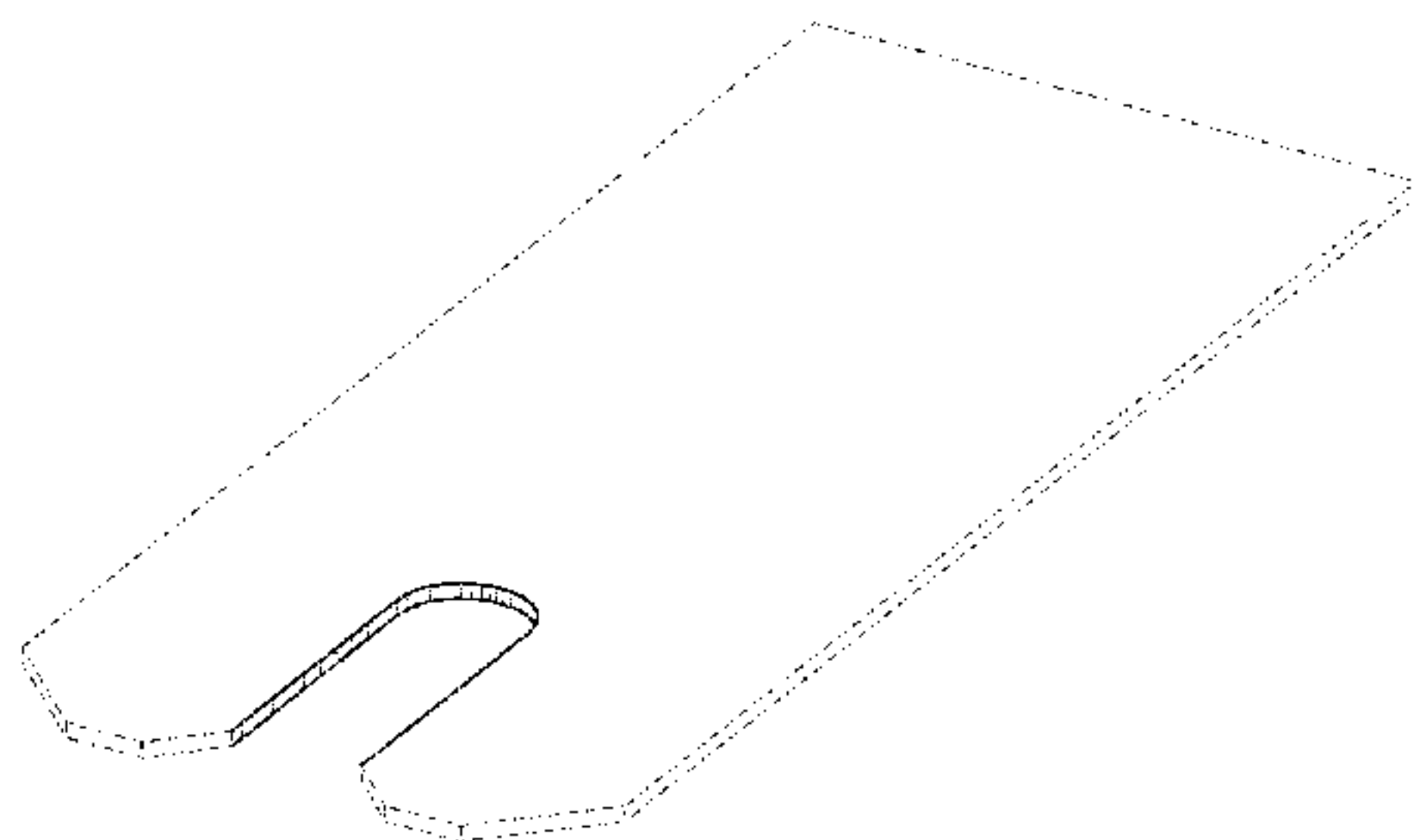
D594,561 S \* 6/2009 Freeland ..... D24/189

D595,385 S \* 6/2009 Luth ..... D22/108

D609,767 S \* 2/2010 Brewer ..... D22/108

(Continued)

**1 Claim, 5 Drawing Sheets**



(56)

**References Cited**

## U.S. PATENT DOCUMENTS

D609,802 S \* 2/2010 Harren ..... D24/108  
D650,908 S \* 12/2011 Robert ..... D24/189  
D672,424 S \* 12/2012 Buie, II ..... D22/108  
D713,536 S \* 9/2014 Fareed ..... D24/192  
9,488,435 B1 \* 11/2016 Roberts ..... F41C 23/14  
D774,199 S \* 12/2016 Kelly ..... D24/189  
D785,189 S \* 4/2017 Dettmar ..... D24/189  
D822,219 S \* 7/2018 Coates ..... D24/192  
D823,979 S \* 7/2018 Stevens ..... D22/108  
2002/0055718 A1 \* 5/2002 Hunt ..... A61M 39/12  
604/198  
2006/0293693 A1 \* 12/2006 Farr ..... A61B 17/7085  
606/104  
2008/0251651 A1 \* 10/2008 Jackson ..... F16L 3/1016  
248/62  
2010/0077912 A1 \* 4/2010 Smith ..... F41H 5/08  
89/36.07  
2011/0178560 A1 \* 7/2011 Butler ..... A61B 17/7086  
606/86 A  
2012/0062009 A1 \* 3/2012 Frey ..... A61G 3/061  
297/353  
2012/0132068 A1 \* 5/2012 Kucynko ..... F41C 23/16  
89/191.01  
2016/0202016 A1 \* 7/2016 Mather ..... F41C 23/14  
42/73  
2017/0343316 A1 \* 11/2017 Higdon, Jr. .... F41C 33/0209  
2017/0356718 A1 \* 12/2017 Johnson ..... F41C 23/20  
2018/0009510 A1 \* 1/2018 Arote ..... B63B 21/045  
2018/0335273 A1 \* 11/2018 Doty ..... F41C 23/14  
2019/0017774 A1 \* 1/2019 Vanek ..... F41C 23/04

\* cited by examiner

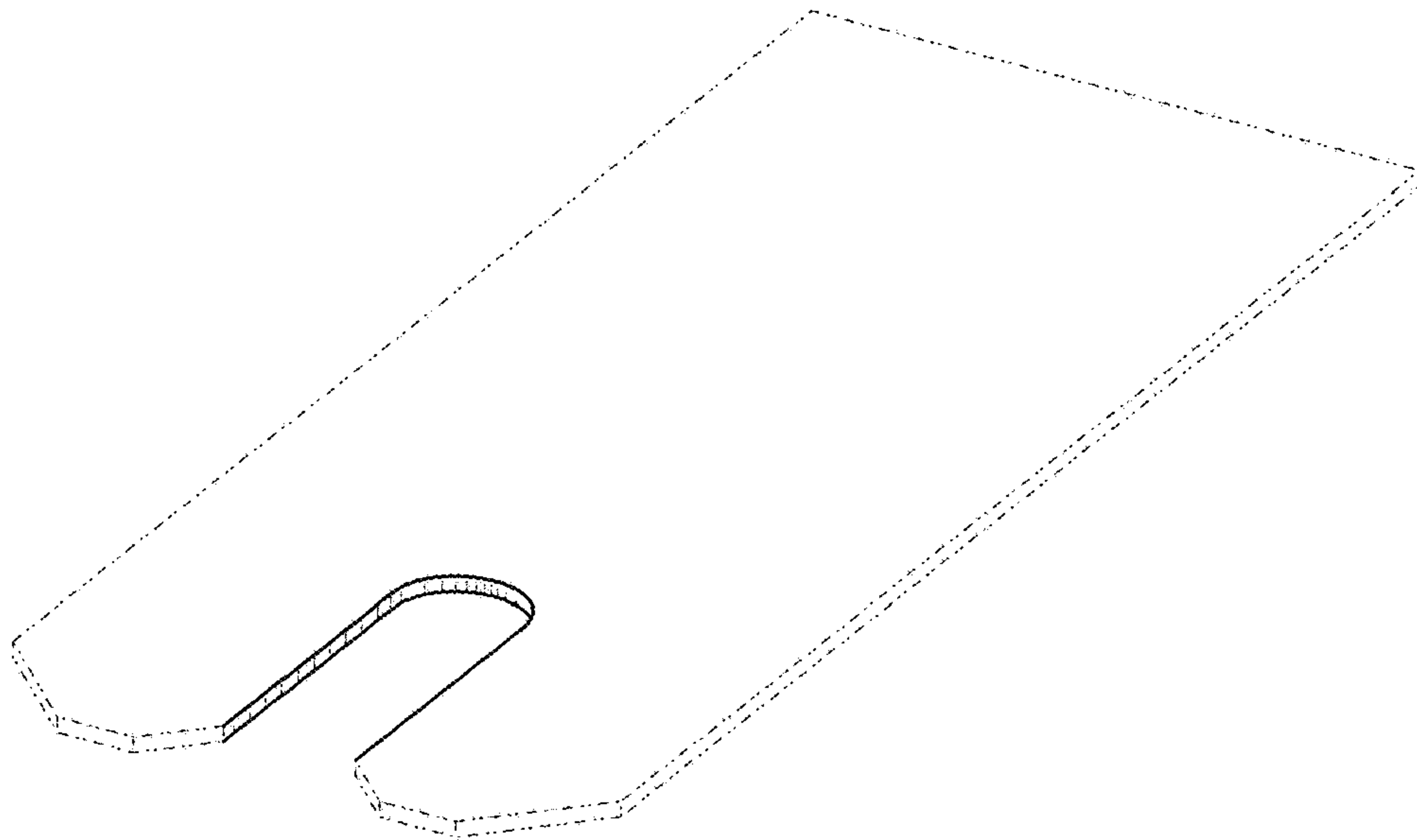


FIG. 1

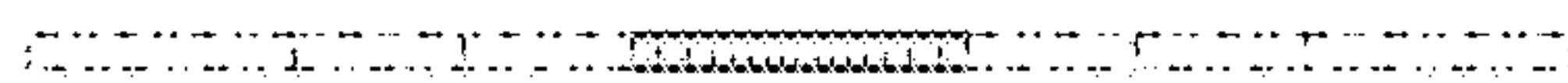


FIG. 2



FIG. 3

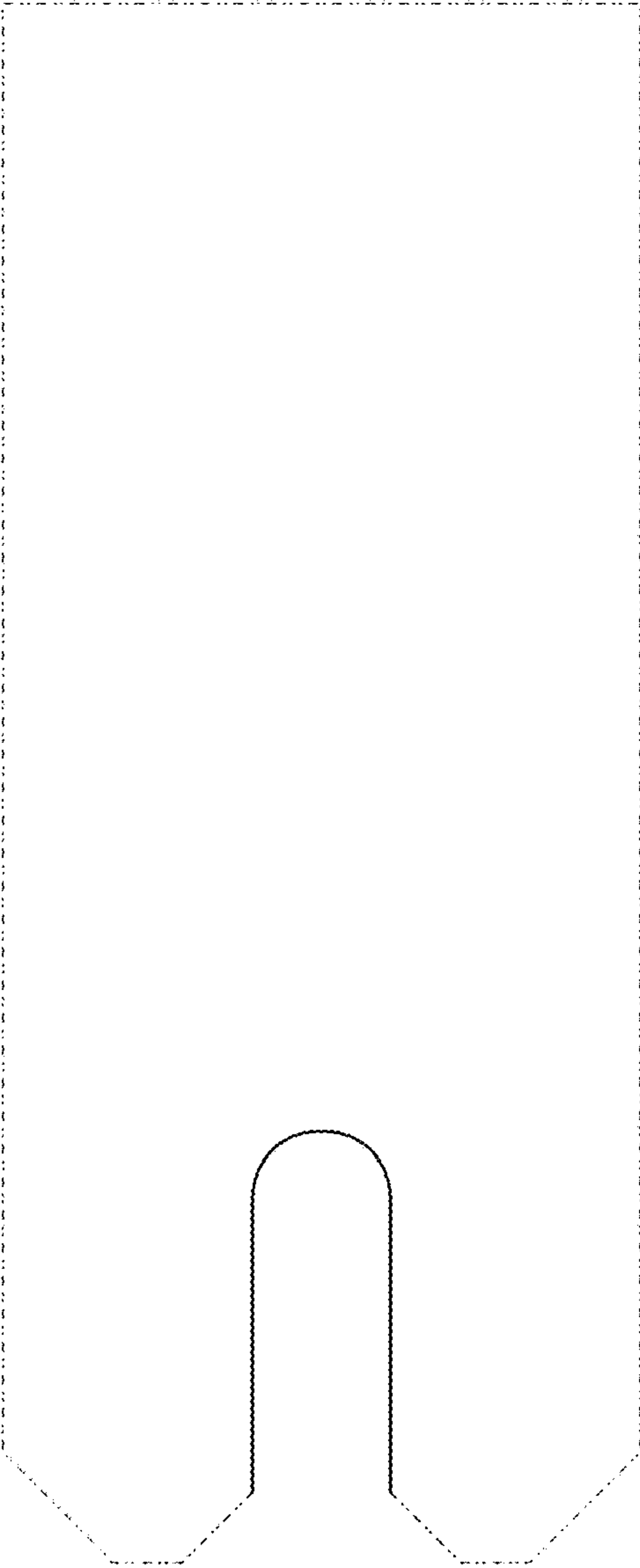


FIG. 4

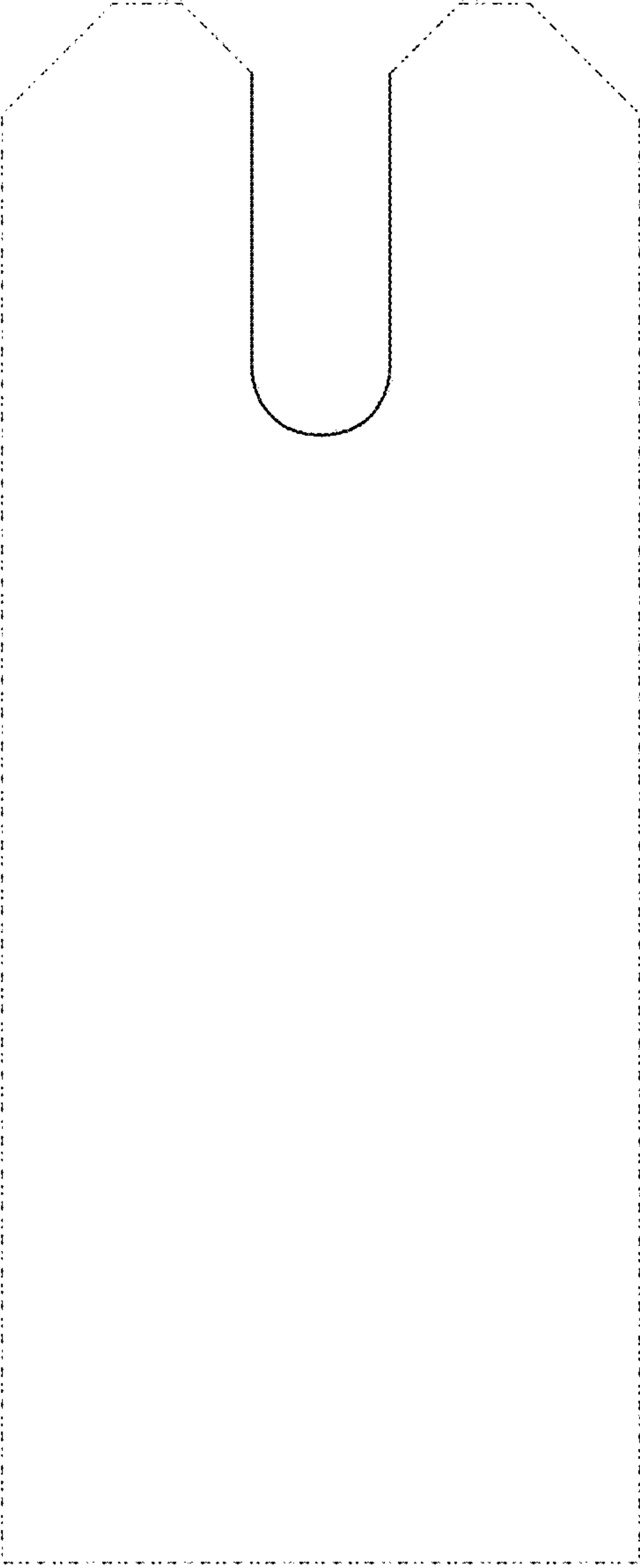
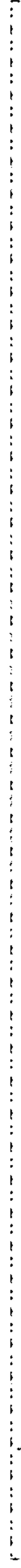


FIG. 5



**FIG. 6**



**FIG. 7**

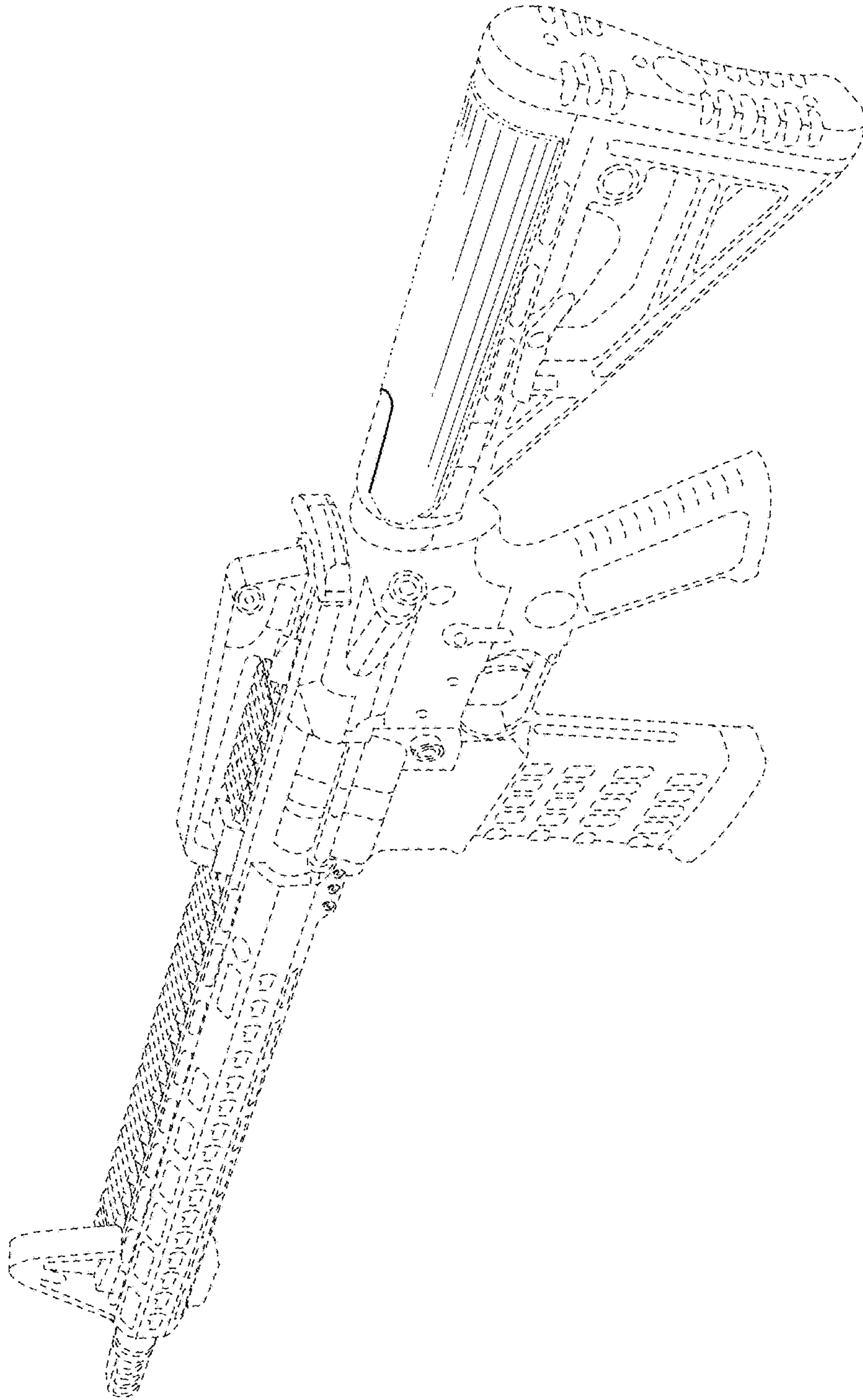


FIG. 8



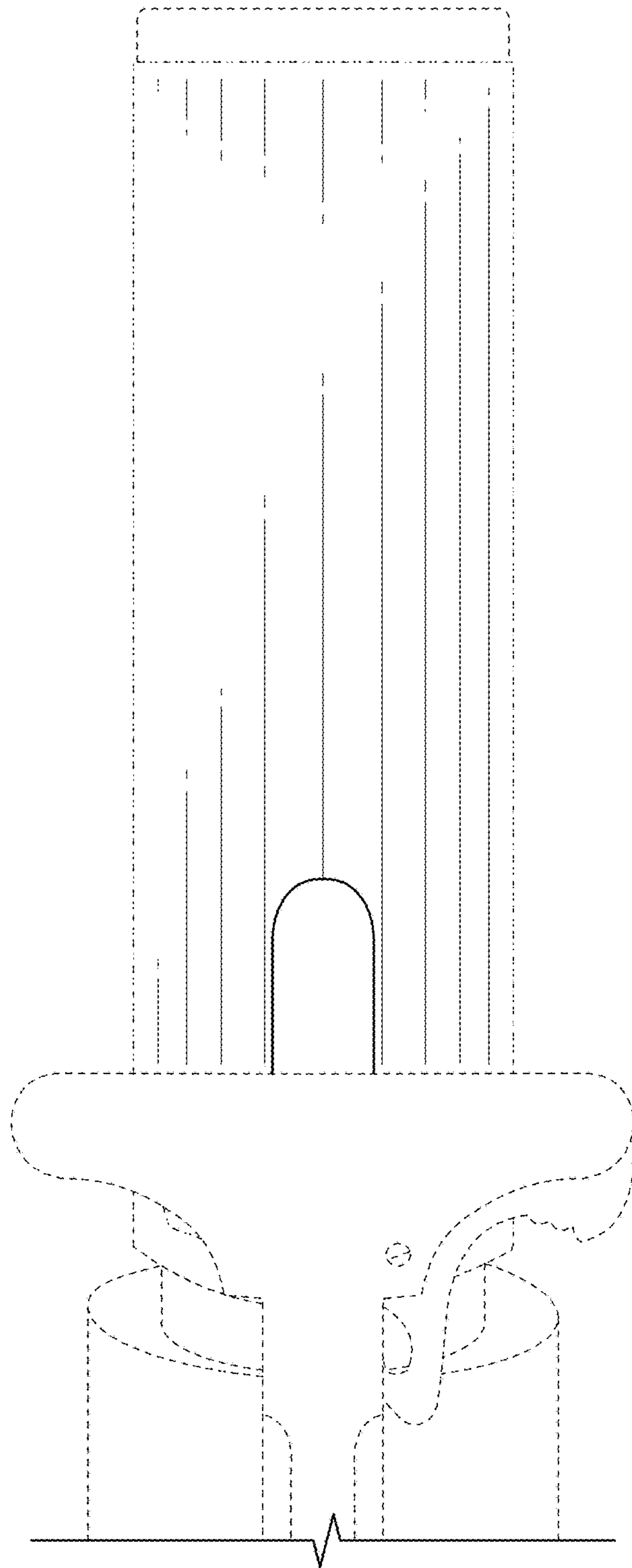


FIG. 9