



US00D850558S

(12) **United States Design Patent**
Fournet

(10) **Patent No.:** **US D850,558 S**
(45) **Date of Patent:** **** Jun. 4, 2019**

(54) **GUN COCKING DEVICE**

5,467,909 A 11/1995 Resca et al.
D365,715 S * 1/1996 Zebbedies D6/552
5,503,276 A 4/1996 Pierce
(Continued)

(71) Applicant: **George J. Fournet**, Youngsville, LA
(US)

(72) Inventor: **George J. Fournet**, Youngsville, LA
(US)

(**) Term: **15 Years**

(21) Appl. No.: **29/599,211**

(22) Filed: **Mar. 31, 2017**

(51) **LOC (11) Cl.** **22-01**

(52) **U.S. Cl.**
USPC **D22/108**

(58) **Field of Classification Search**
USPC D22/100, 108, 109, 110, 199; D12/114,
D12/223, 162, 349; 42/111, 114, 94;
D6/552; 102/430; 114/218; 224/192,
224/193, 243, 912, 198, 199, 238, 239,
224/244, 911, 311, 442, 413, 571, 551,
224/521; 89/1.4, 40.01, 40.03, 37.04;
211/66, 64; D8/363, 381, 349, 373, 380,
D8/354, 356, 396; 248/309.1, 309.2, 317,
248/274.1, 284.1, 300, 27.1, 200;
280/415.1, 416.1, 507-511, 491.1-491.3;
15/314
CPC F41A 19/00; F41G 11/003
See application file for complete search history.

(56) **References Cited**

U.S. PATENT DOCUMENTS

3,031,069 A	4/1962	Hirsch	
3,804,306 A	4/1974	Azurin	
4,043,065 A	8/1977	Musgrave	
4,055,015 A	10/1977	Musgrave	
4,138,044 A	2/1979	Musgrave	
4,298,150 A	11/1981	Seldeen	
D270,516 S *	9/1983	Achille	D8/354
4,823,671 A	4/1989	Buryta	

OTHER PUBLICATIONS

Handi-Racker 2—Safest way to rack your pistols, Amazon.com, [online], [site visited Jun. 28, 2018]. <URL: https://www.amazon.com/Handi-Racker-Safest-rack-your-pistols/dp/B01BFMD9PO> (Year: 2018).*

(Continued)

Primary Examiner — T Chase Nelson
Assistant Examiner — Jonathan J. Han
(74) *Attorney, Agent, or Firm* — Greg Mier

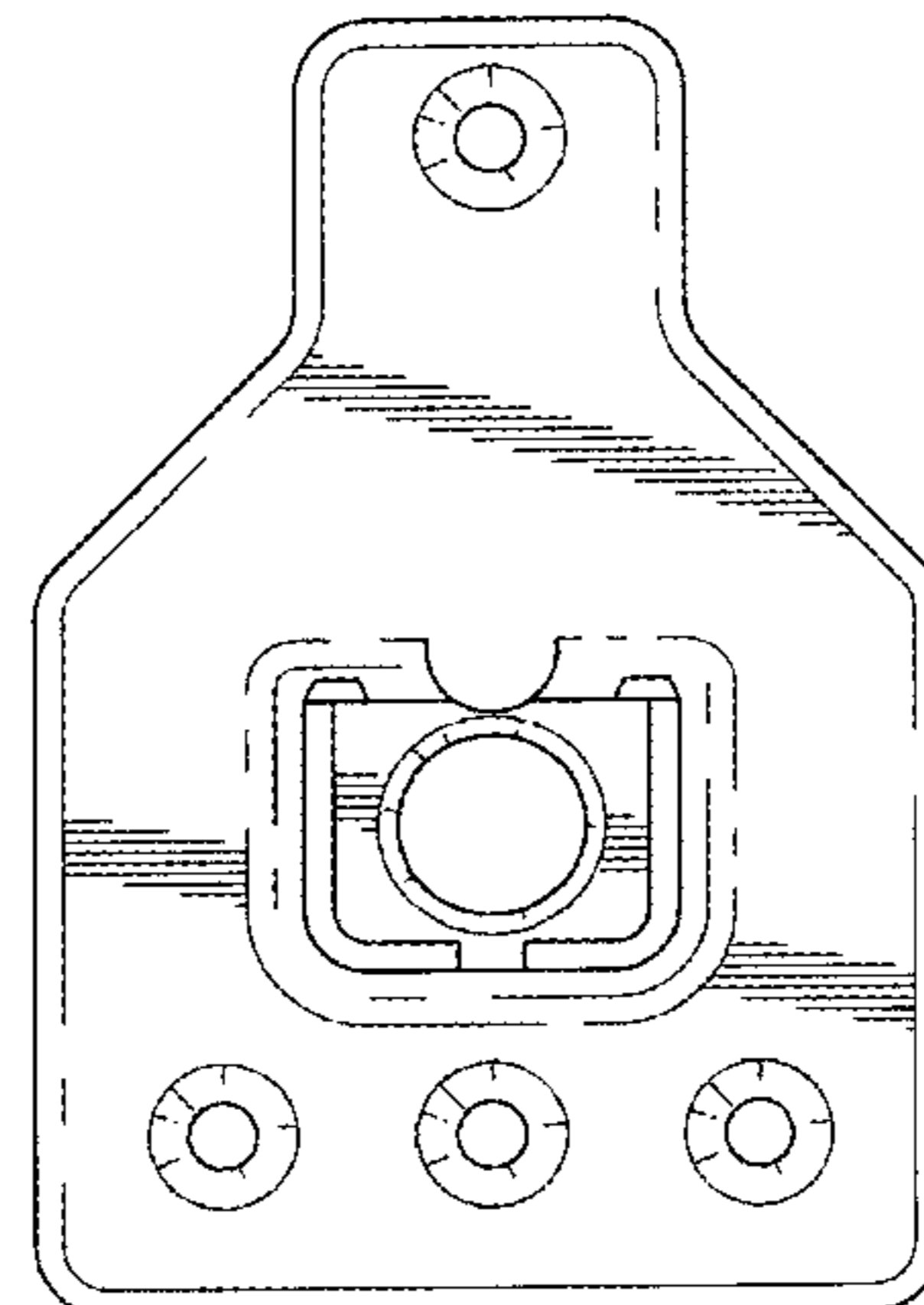
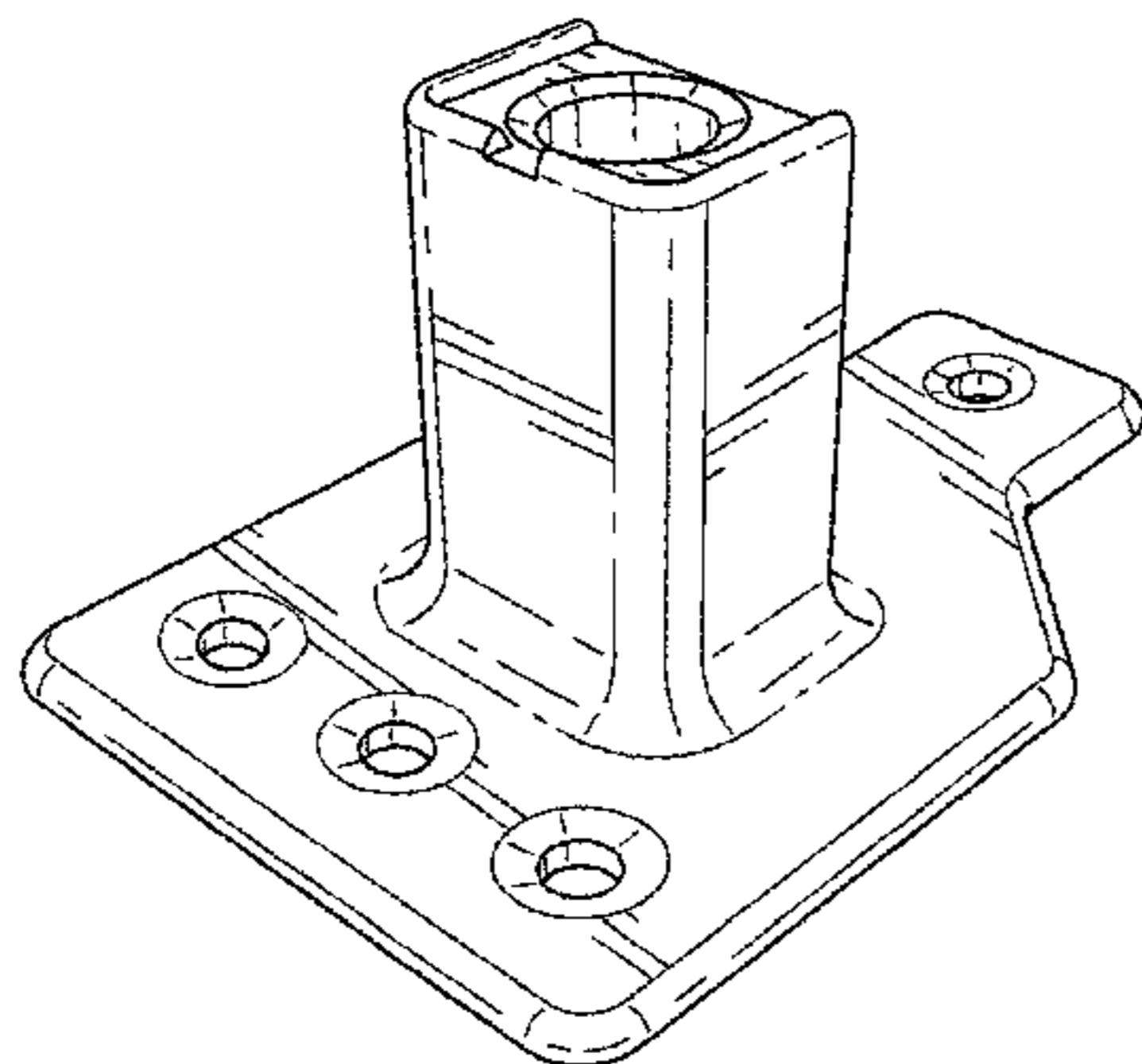
(57) **CLAIM**

The ornament design for a gun cocking device, as shown and described.

DESCRIPTION

FIG. 1 is a perspective view of one embodiment of the gun cocking device showing my new design.
FIG. 2 is a perspective view of one embodiment of the gun cocking device showing my new design.
FIG. 3 is a top view of one embodiment of the gun cocking device showing my new design.
FIG. 4 is a bottom view of one embodiment of the gun cocking device showing my new design.
FIG. 5 is a front view of one embodiment of the gun cocking device showing my new design.
FIG. 6 is a rear view of one embodiment of the gun cocking device showing my new design.
FIG. 7 is a side view of one embodiment of the gun cocking device showing my new design; and,
FIG. 8 is an opposite side view of one embodiment of the gun cocking device showing my new design.
The broken lines in the drawings are used to illustrate unclaimed portions and environment, and form no part of the claimed design.

1 Claim, 4 Drawing Sheets



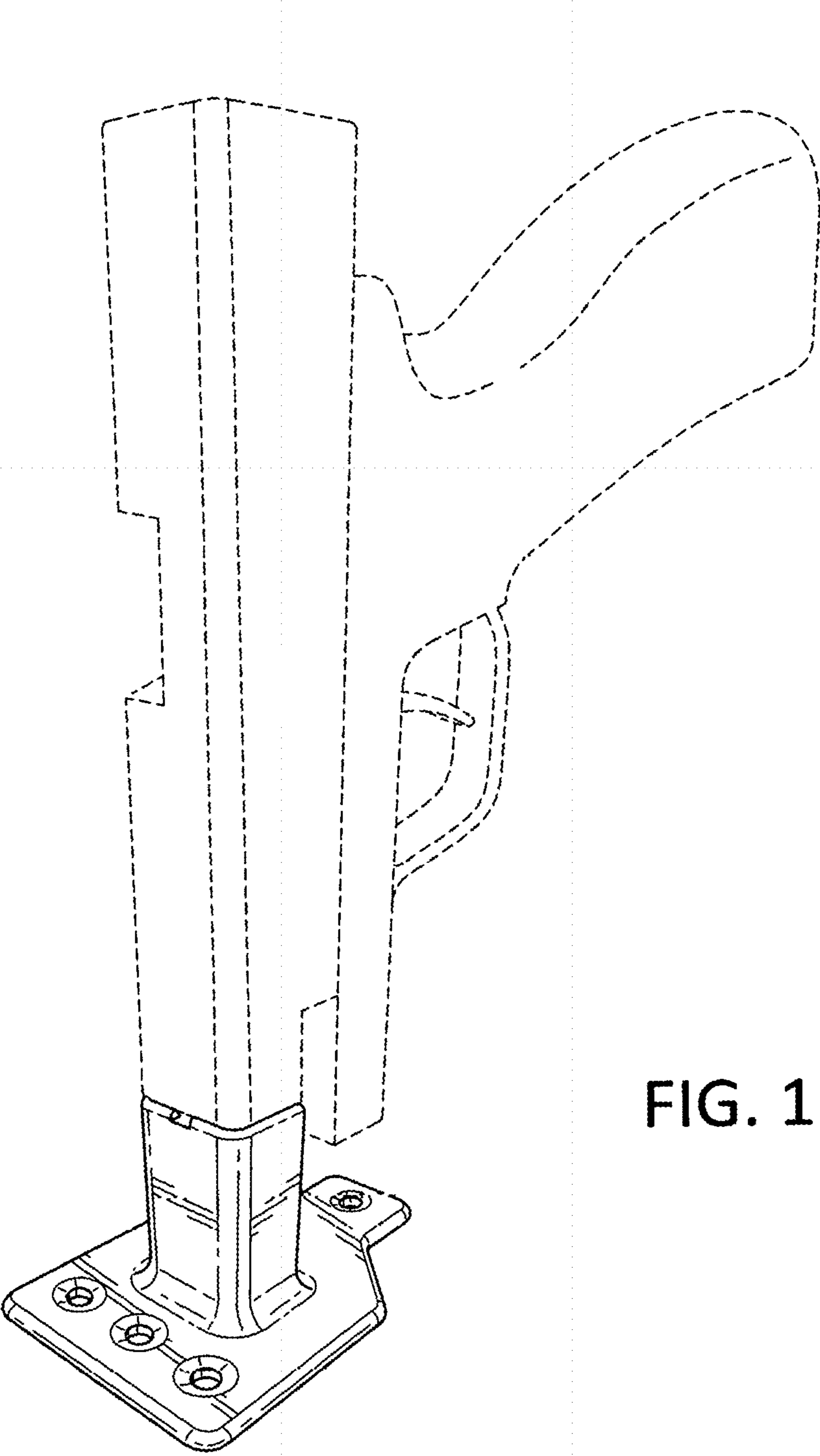


FIG. 1

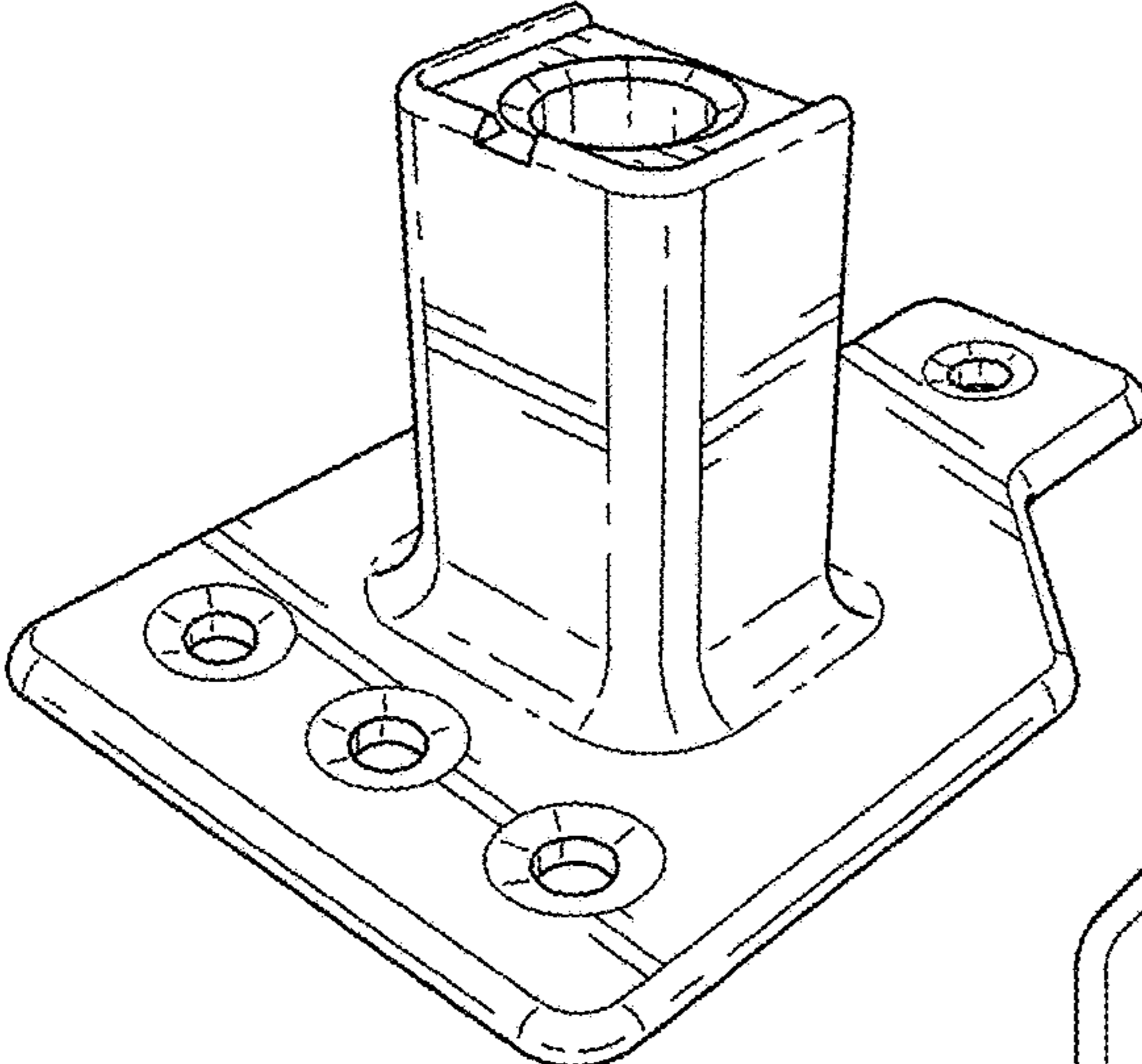


FIG. 2

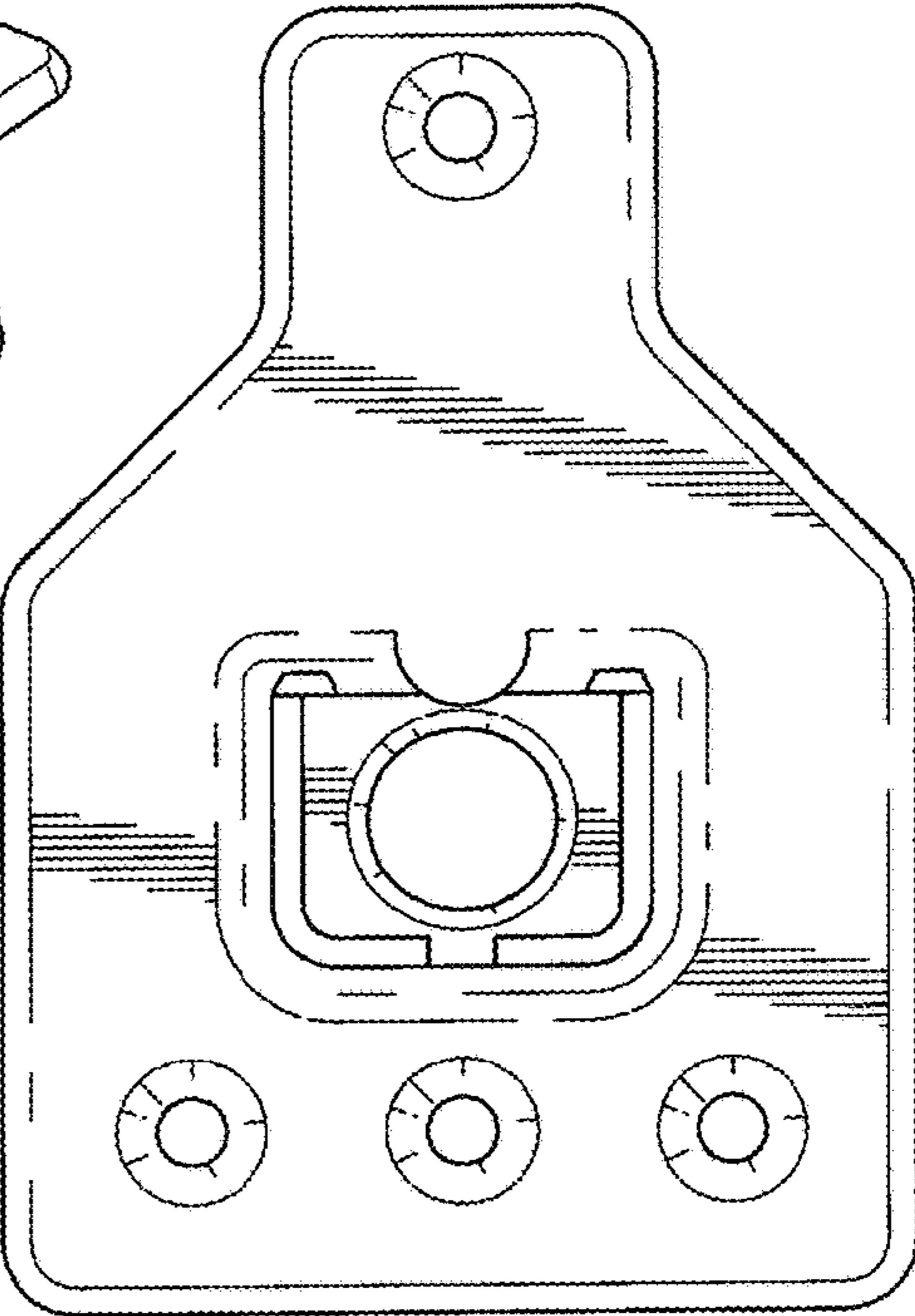


FIG. 3

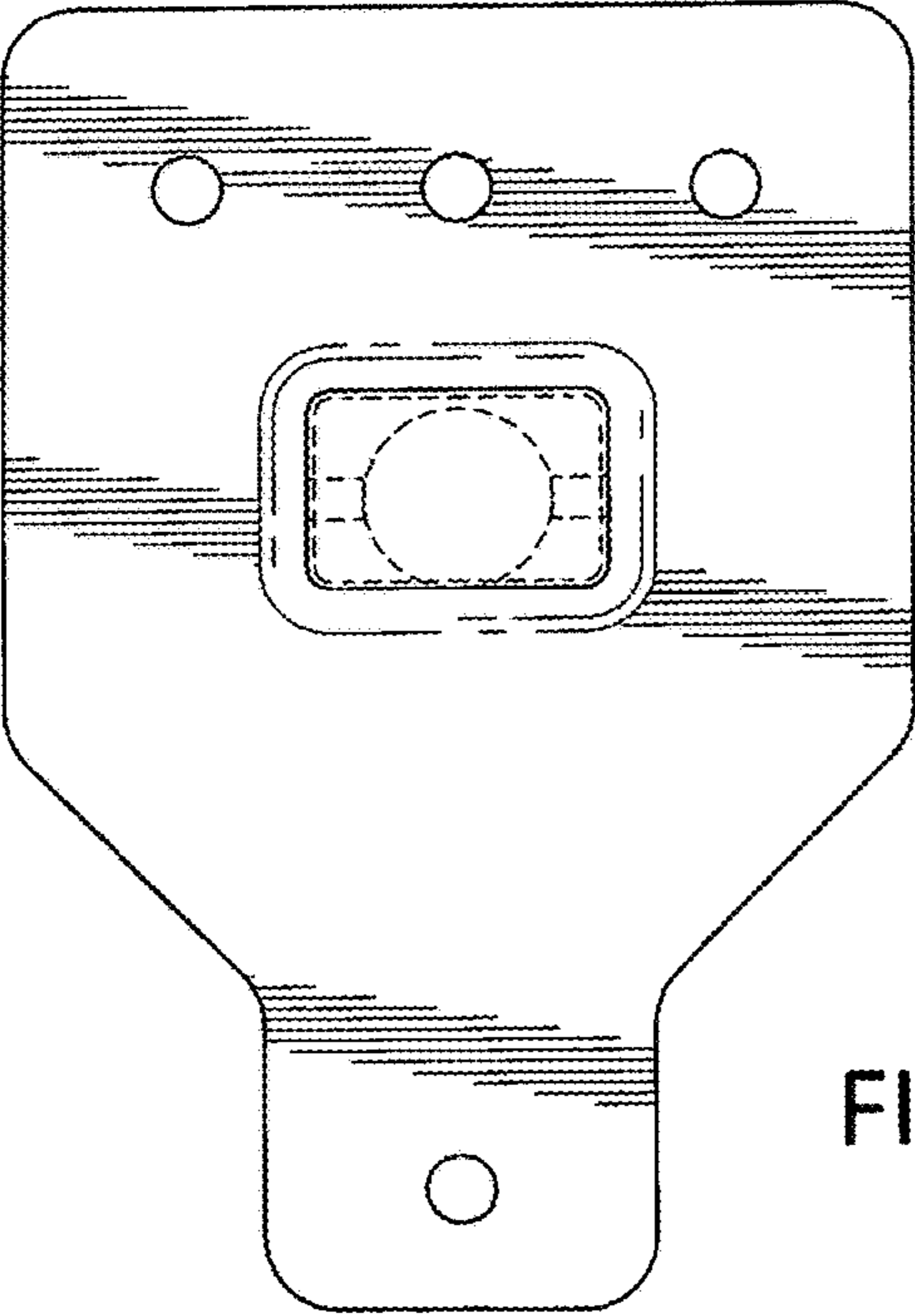


FIG. 4

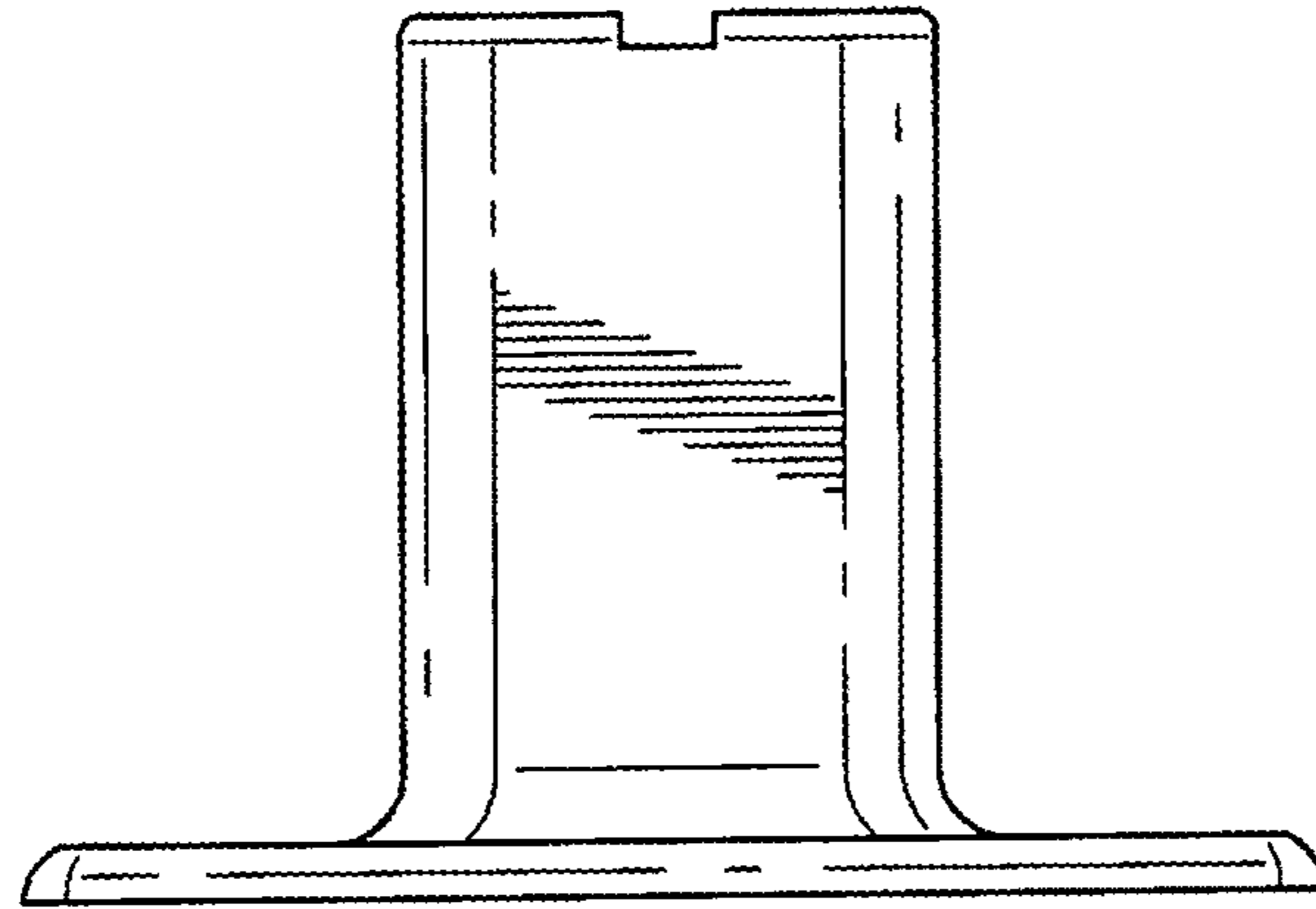


FIG. 5

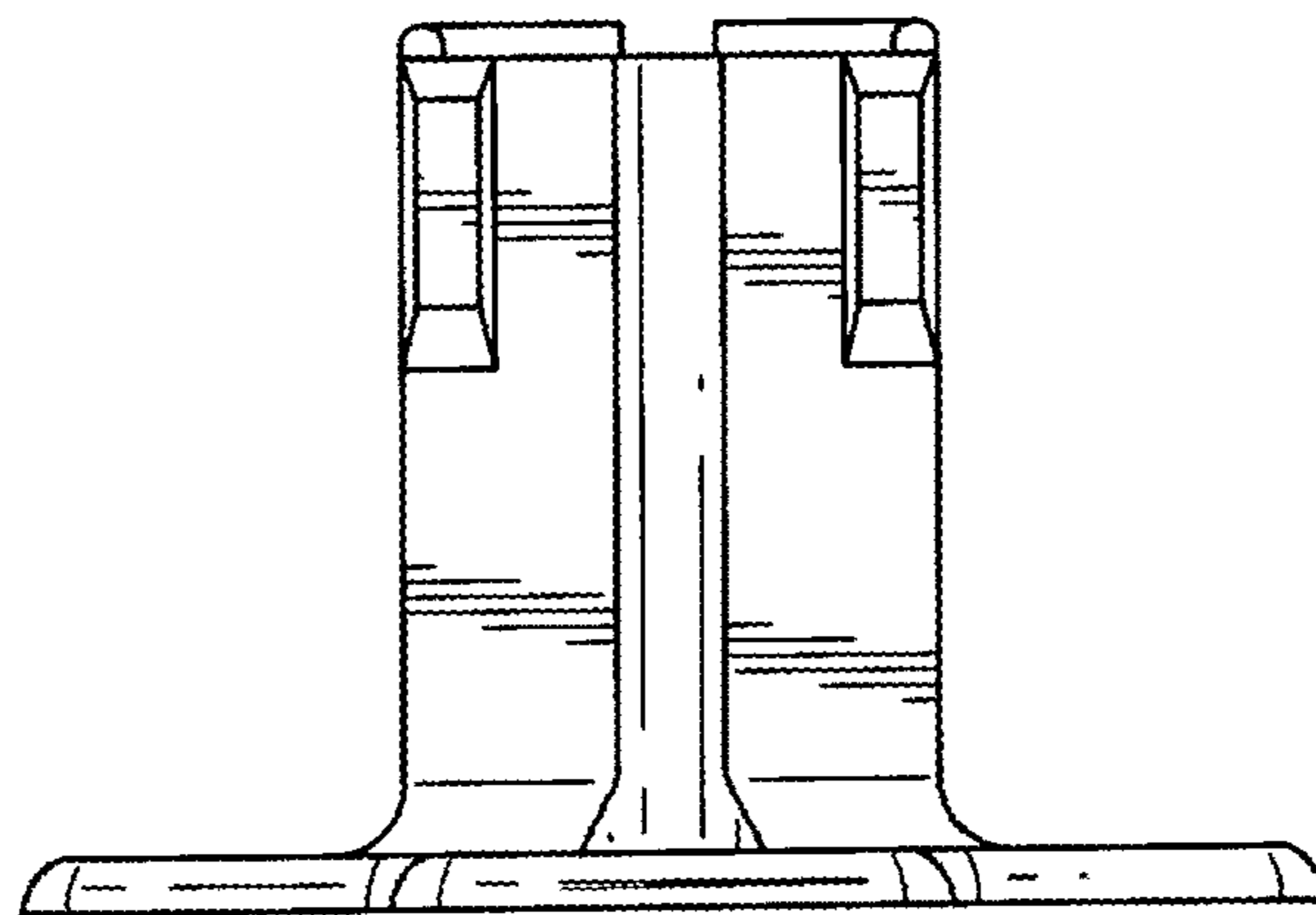


FIG. 6

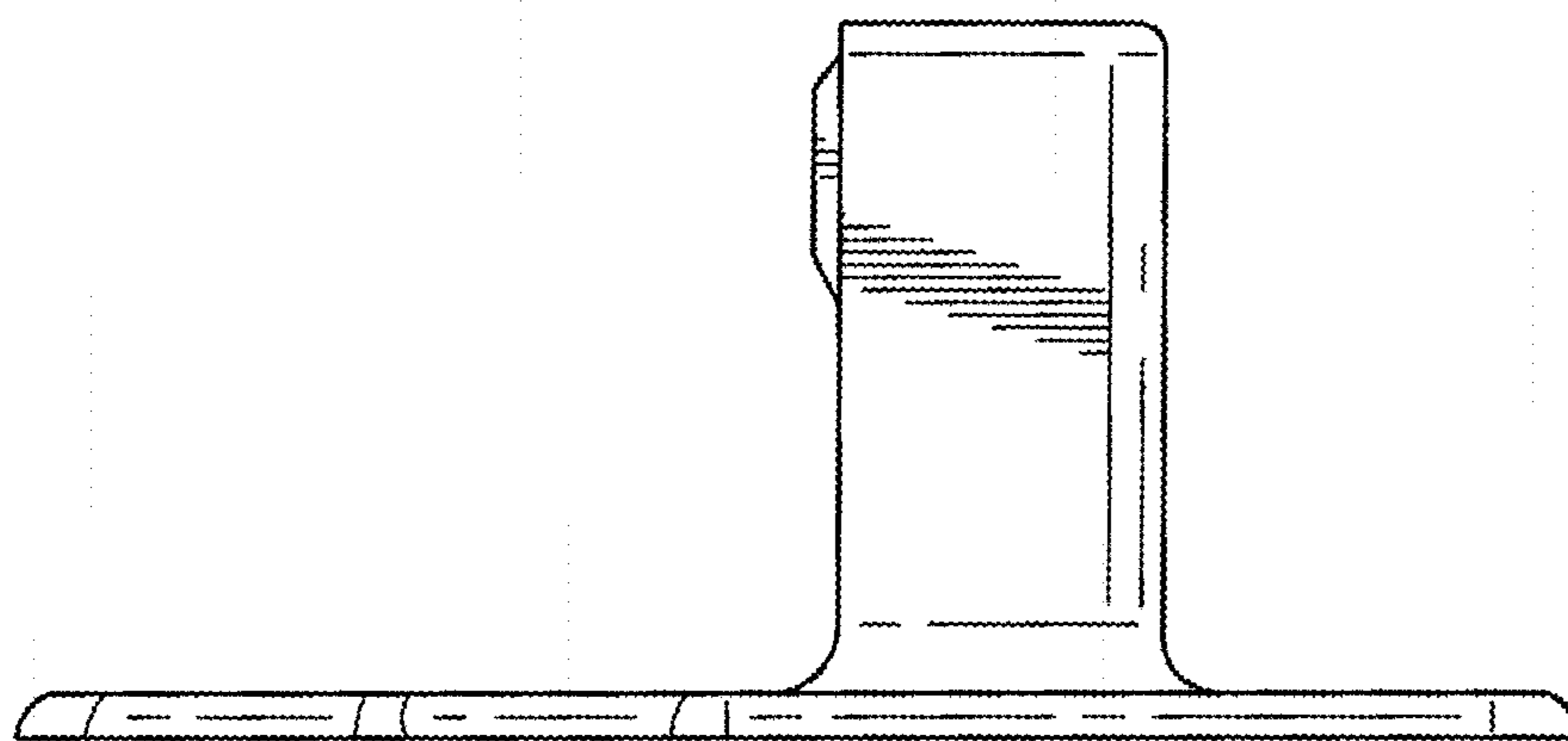


FIG. 7

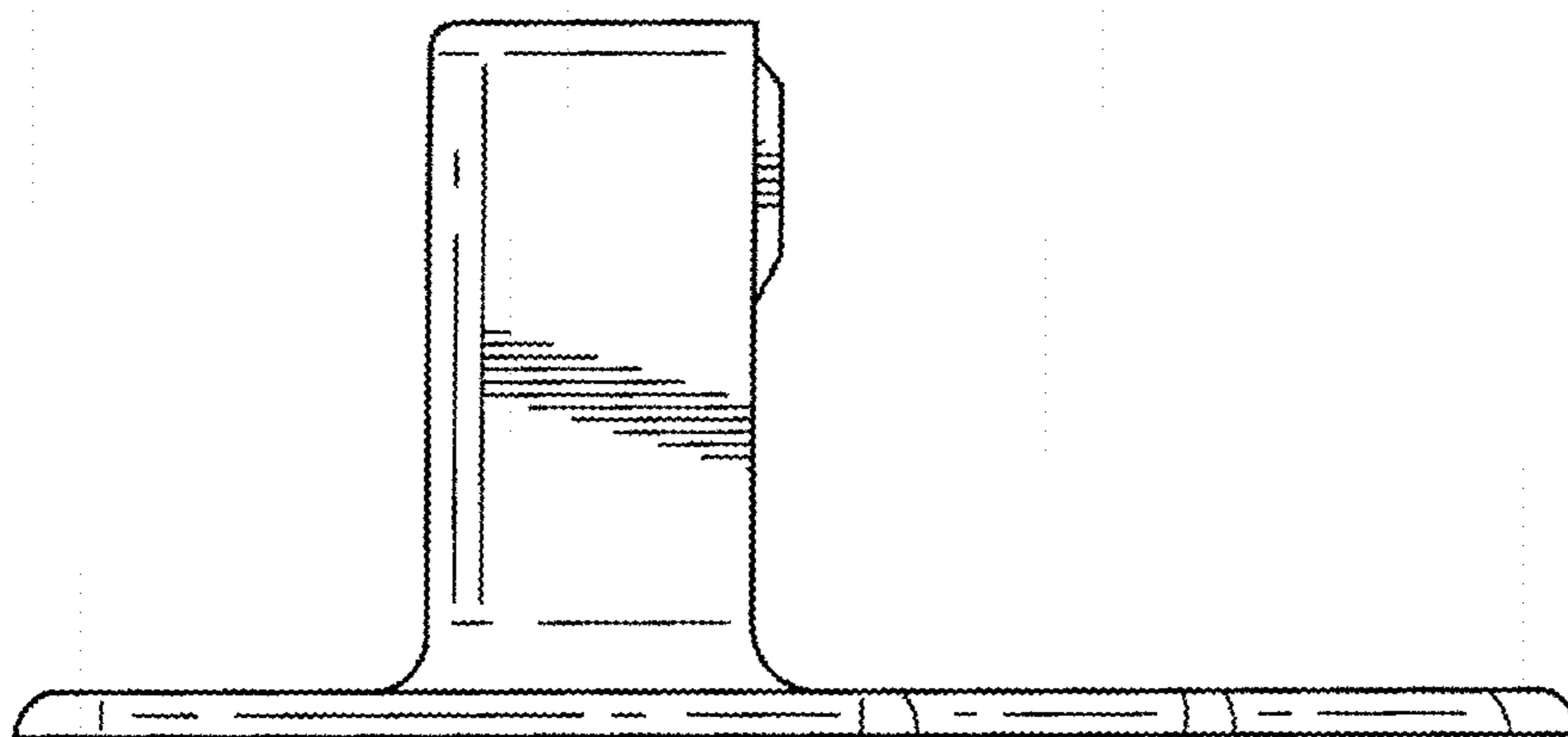


FIG. 8