



US00D850554S

(12) **United States Design Patent**  
**Hagel et al.**

(10) **Patent No.:** **US D850,554 S**  
(45) **Date of Patent:** **\*\* Jun. 4, 2019**

(54) **PROTECTIVE NET**

(71) Applicant: **Avero AB**, Göteborg (SE)

(72) Inventors: **Thomas Hagel**, Uddevalla (SE); **Bas Van Den Eijkhof**, Kungsbacka (SE)

(73) Assignee: **Avero AB**, Göteborg (SE)

(\*\*) Term: **15 Years**

(21) Appl. No.: **29/643,205**

(22) Filed: **Apr. 5, 2018**

(30) **Foreign Application Priority Data**

Jan. 24, 2018 (EM) ..... 004679017-0001  
Jan. 24, 2018 (EM) ..... 004679017-0002  
Jan. 24, 2018 (EM) ..... 004679017-0003  
Jan. 24, 2018 (EM) ..... 004679017-0004  
Feb. 26, 2018 (EM) ..... 004725786

(51) **LOC (11) Cl.** ..... **21-02**

(52) **U.S. Cl.**  
USPC ..... **D21/797**

(58) **Field of Classification Search**  
USPC ..... 273/343, 348, 392, 394, 395, 396, 397,  
273/398, 400, 401, 402, 406, 407;  
473/172, 197, 415, 421, 456, 478;  
D21/302, 303, 304, 305, 306, 698, 699,  
D21/700, 701, 702, 703, 704, 705, 780,  
D21/788, 789, 790, 834, 835, 836, 837,  
D21/838, 839; D22/135; D25/38.1, 39  
CPC ..... A63B 63/00; A63B 61/00; A63B 63/004;  
A01K 71/00

See application file for complete search history.

(56) **References Cited**

**U.S. PATENT DOCUMENTS**

4,949,979 A \* 8/1990 Wheatcroft ..... A63B 63/00  
473/197  
5,180,167 A \* 1/1993 Felix ..... A63B 71/022  
473/197

D564,060 S \* 3/2008 Adams ..... D21/814  
D570,930 S \* 6/2008 VanElverdinghe ..... D21/797  
D572,777 S \* 7/2008 VanElverdinghe ..... D21/671  
D576,229 S \* 9/2008 VanElverdinghe ..... D21/797  
D608,849 S \* 1/2010 Chang ..... D21/705  
7,731,198 B2 \* 6/2010 Cho ..... A63B 63/00  
273/400  
D653,299 S \* 1/2012 Samuel ..... D21/797  
D664,228 S \* 7/2012 Hsiang ..... D21/797  
D794,150 S \* 8/2017 Ji ..... D21/797  
D805,595 S \* 12/2017 Chen ..... D21/797

(Continued)

**OTHER PUBLICATIONS**

Youtube, "North Trampoline—Introducing North Explorer(Official)", Mar. 27, 2018. <https://www.youtube.com/watch?v=TExBnMaGgFA>. Shown at 00:18 minute mark. (Year: 2018).\*

*Primary Examiner* — Cynthia Ramirez

*Assistant Examiner* — Michael A Maharajh

(74) *Attorney, Agent, or Firm* — Tucker Ellis LLP

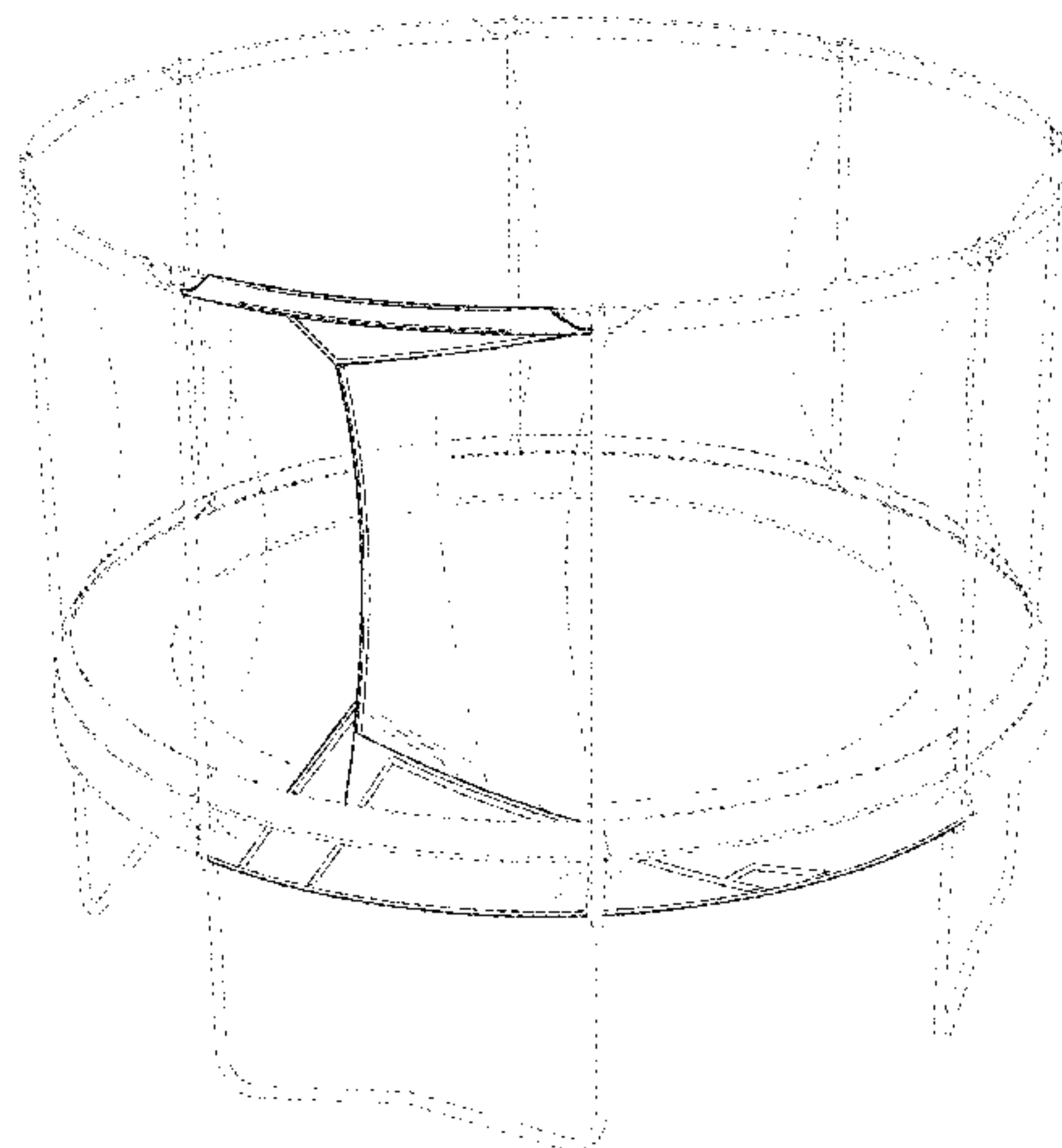
(57) **CLAIM**

The ornamental design for a protective net, as shown and described.

**DESCRIPTION**

FIG. 1 is a front-right-top perspective view of a protective net showing our new design;  
FIG. 2 is a rear-left-top perspective view thereof;  
FIG. 3 is a front view thereof;  
FIG. 4 is a rear view thereof;  
FIG. 5 is a left side view thereof; and,  
FIG. 6 is a right side view thereof.  
The broken lines shown herein are for the purpose of illustrating portions of the protective net and an exemplary trampoline environment for the protective net, the broken lines forming no part of the claimed design.

**1 Claim, 6 Drawing Sheets**



(56)

**References Cited**

U.S. PATENT DOCUMENTS

D818,071 S \* 5/2018 Chen ..... D21/797  
D836,177 S \* 12/2018 Gao ..... D21/834

\* cited by examiner

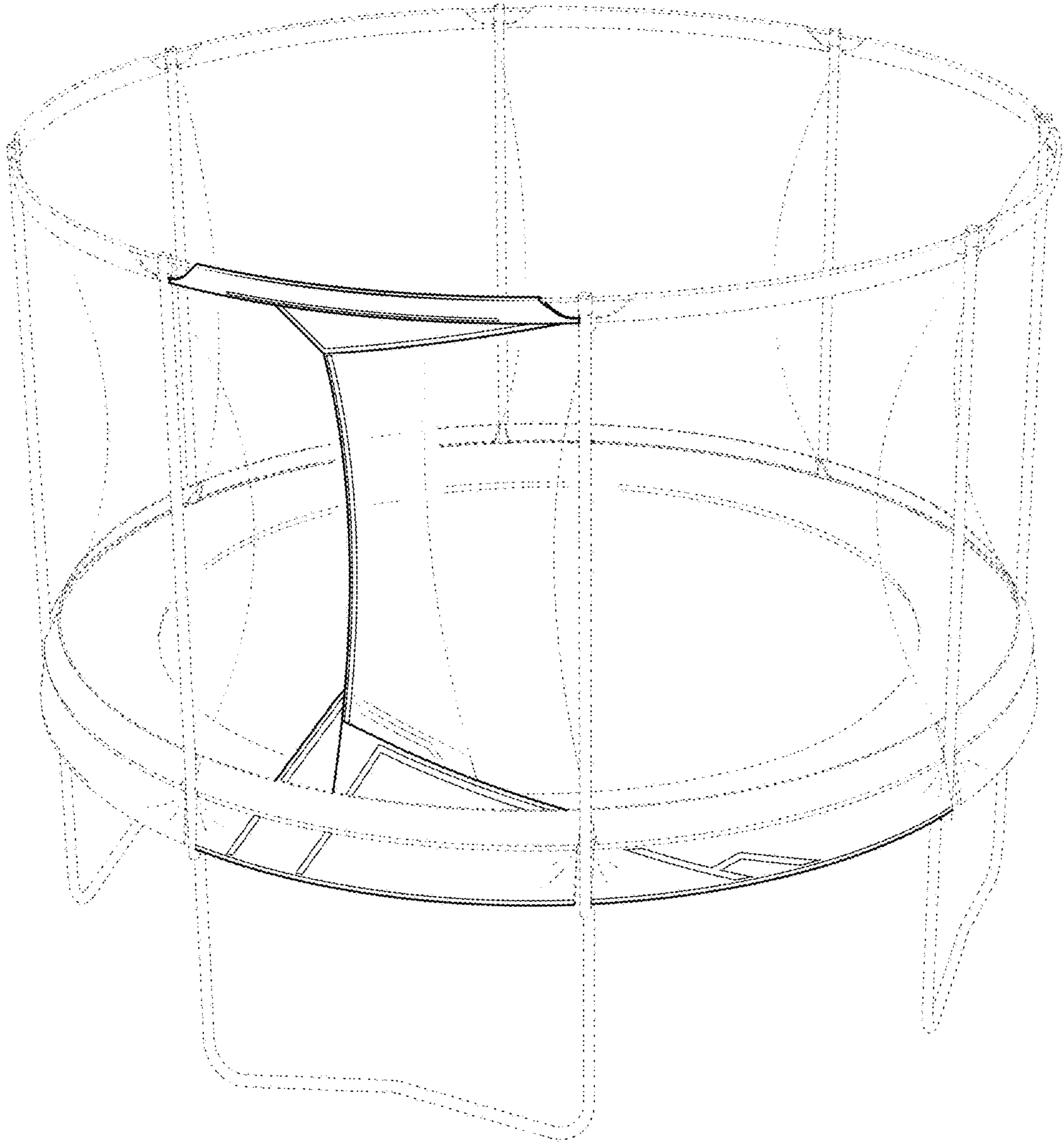


FIG. 1

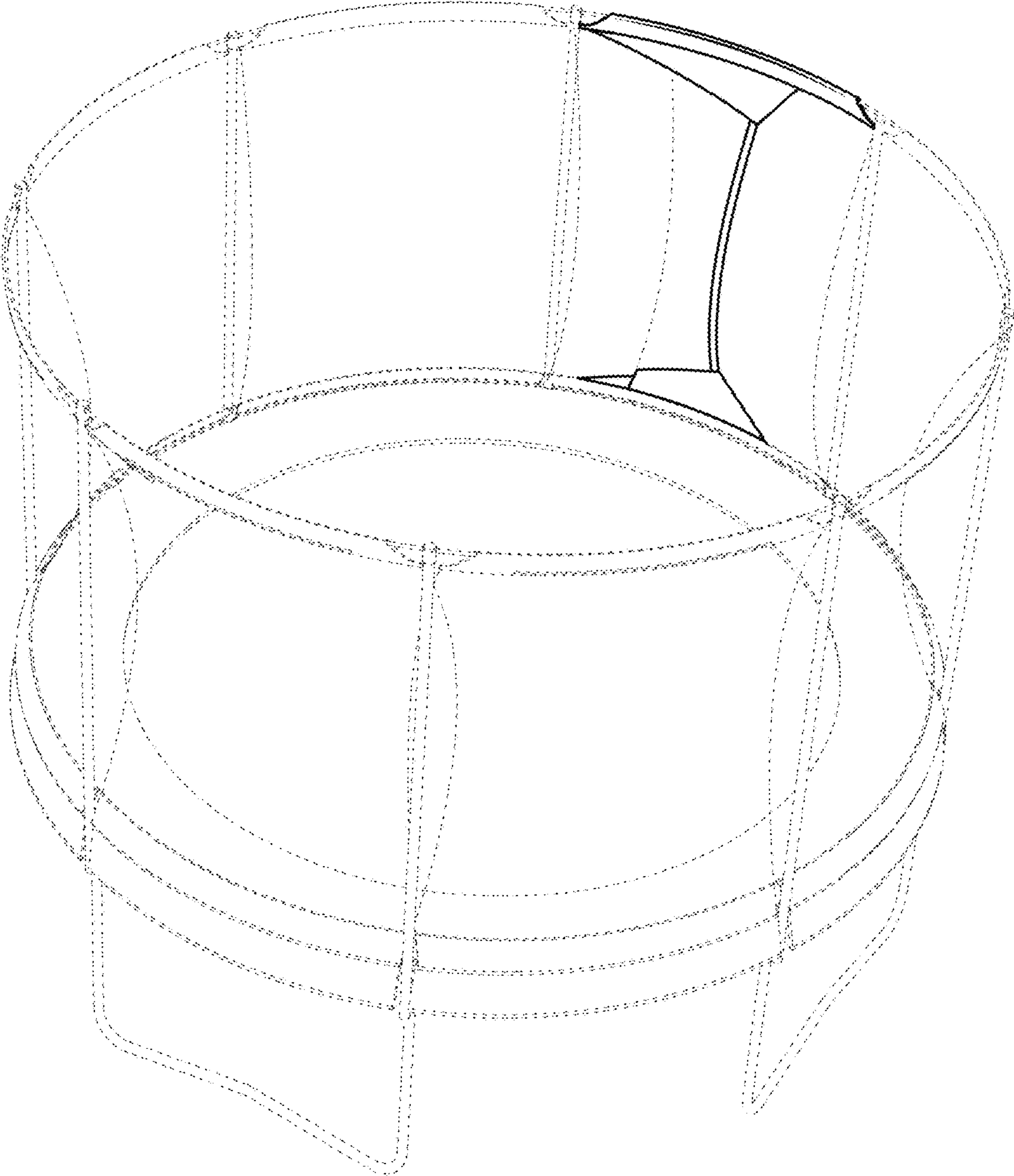


FIG. 2

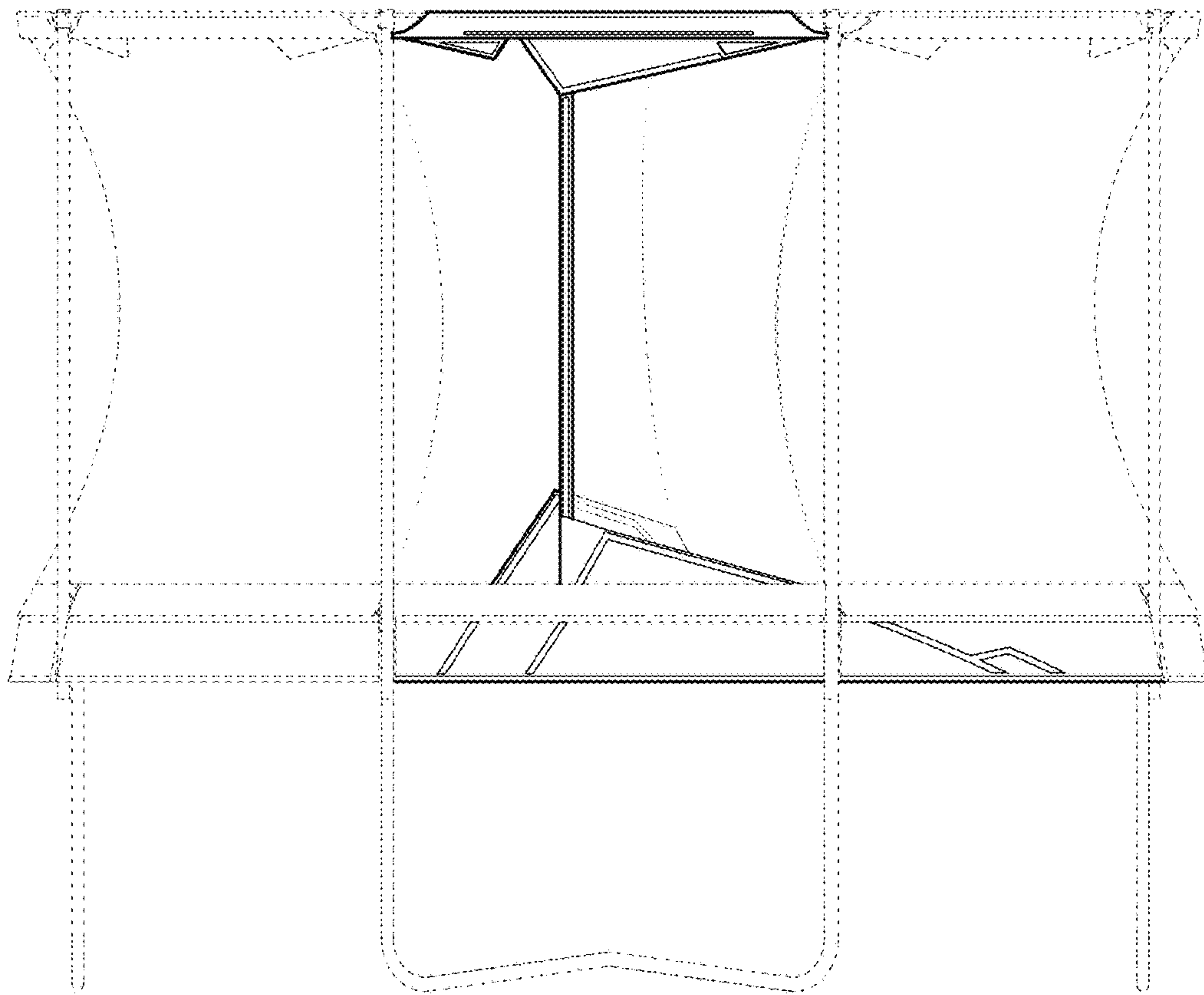


FIG. 3



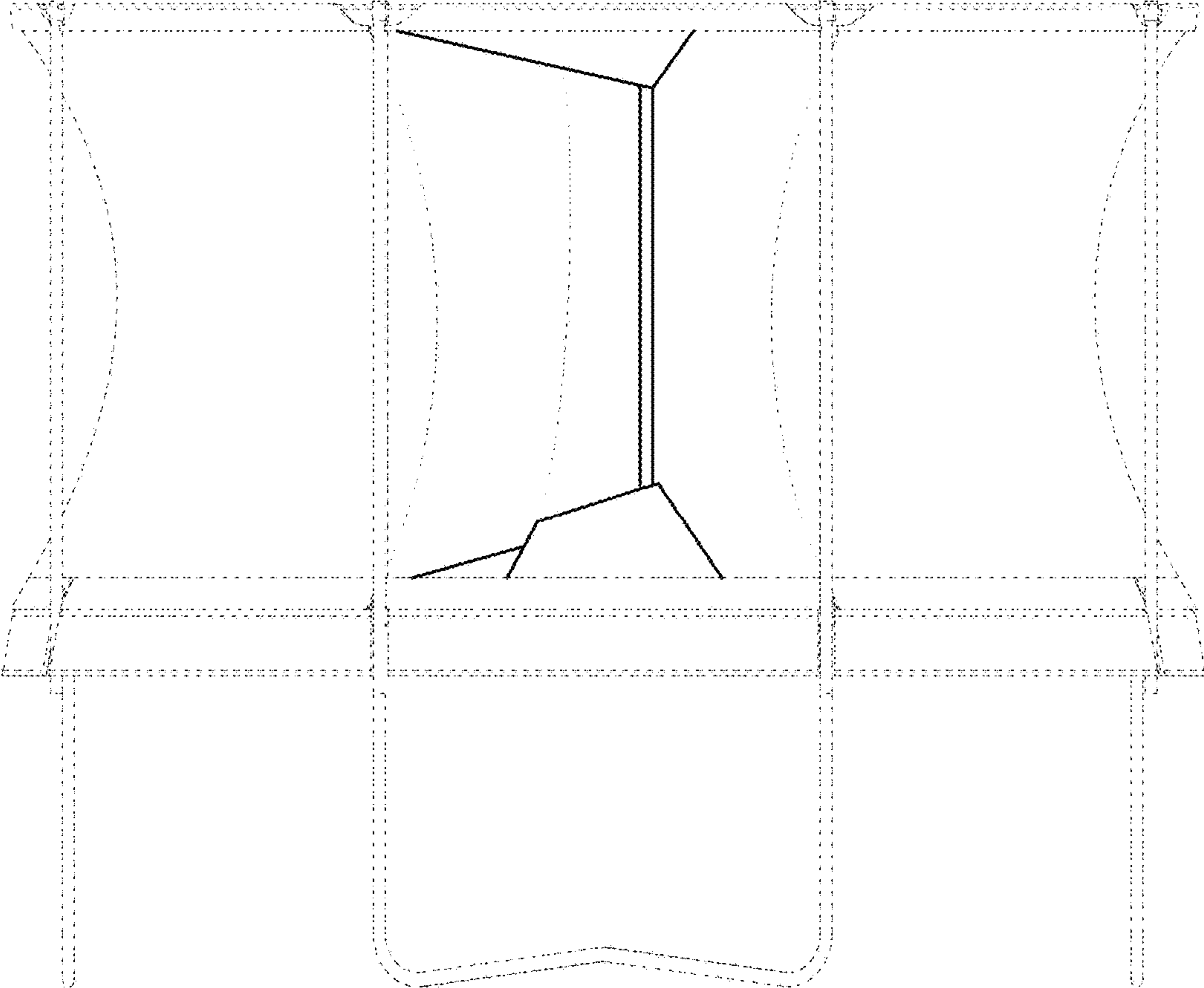


FIG. 4

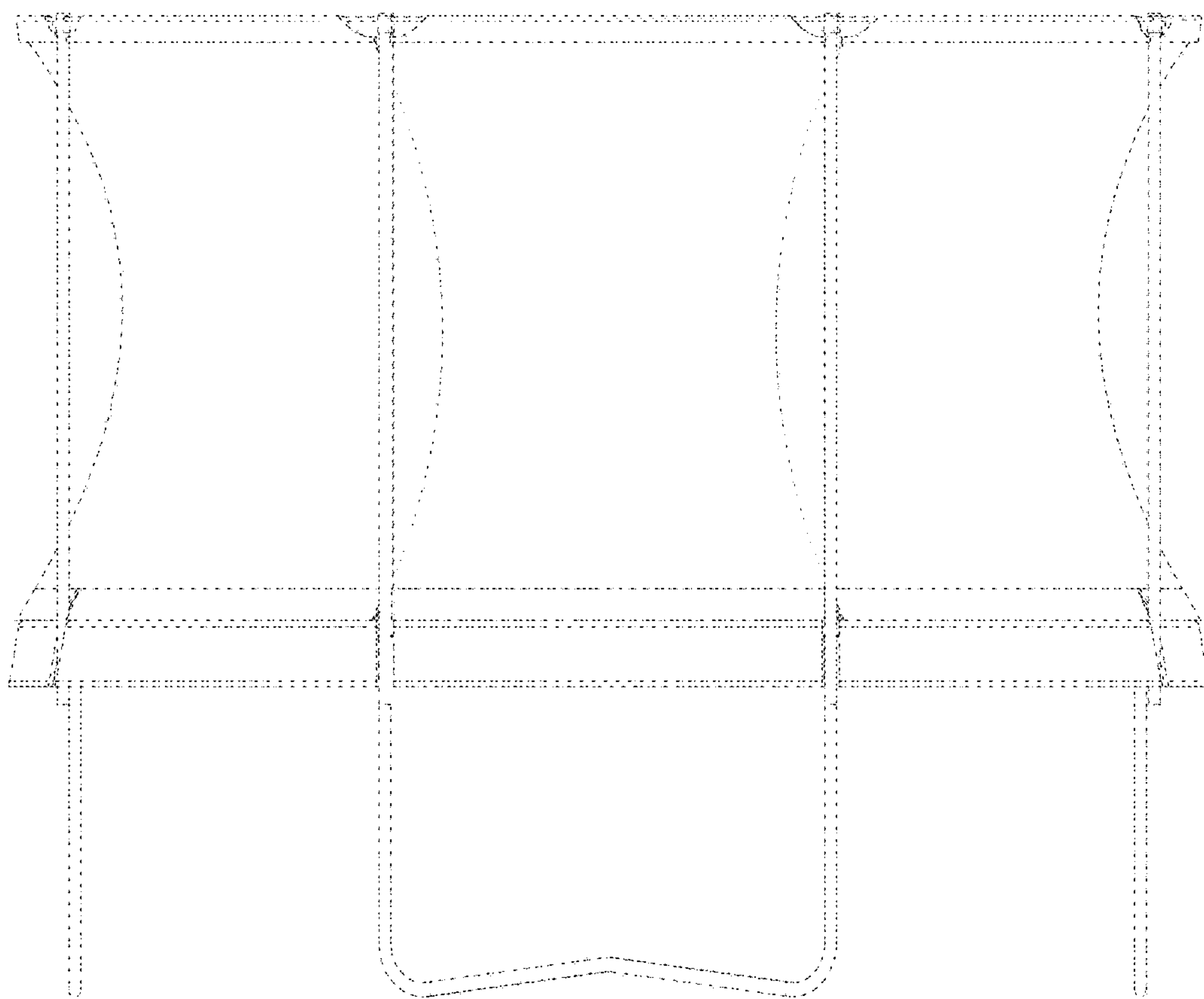


FIG. 5

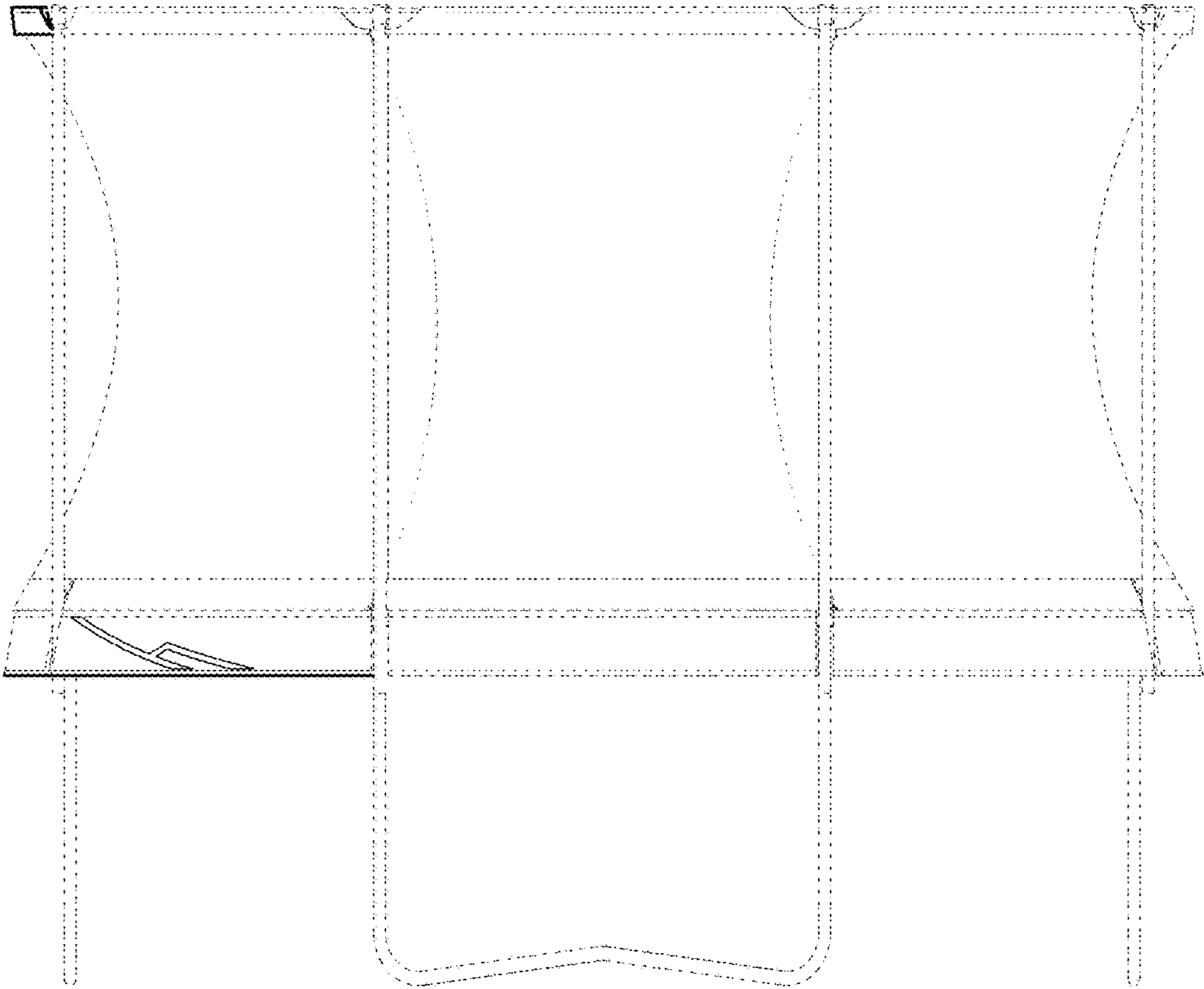


FIG. 6