



US00D850552S

(12) **United States Design Patent**  
**Doerksen**

(10) **Patent No.:** **US D850,552 S**  
(45) **Date of Patent:** **\*\* \*Jun. 4, 2019**

(54) **SKATEBOARD**

(71) Applicant: **Future Motion, Inc.**, Santa Cruz, CA  
(US)

(72) Inventor: **Kyle Jonathan Doerksen**, Santa Cruz,  
CA (US)

(73) Assignee: **Future Motion, Inc.**, Santa Cruz, CA  
(US)

(\* ) Notice: This patent is subject to a terminal dis-  
claimer.

(\*\*) Term: **15 Years**

(21) Appl. No.: **29/638,116**

(22) Filed: **Feb. 23, 2018**

(51) **LOC (11) Cl.** ..... **21-01**

(52) **U.S. Cl.**  
USPC ..... **D21/765**

(58) **Field of Classification Search**  
USPC ..... D21/419, 421, 423, 426, 662, 760, 765,  
D21/766, 769, 771, 776, 803  
CPC ..... A63C 17/01; A63C 17/011; A63C 17/012;  
A63C 17/014; A63C 17/015; A63C  
17/02; A63C 17/26; A63C 5/003; B60Q  
1/326; B62K 3/001

See application file for complete search history.

(56) **References Cited**

**U.S. PATENT DOCUMENTS**

1,585,258 A	5/1926	Moore
D233,619 S	11/1974	Kelling
4,106,786 A	8/1978	Talbott
4,109,741 A	8/1978	Gabriel
4,997,196 A	3/1991	Wood
5,119,277 A	6/1992	Copley et al.
5,119,279 A	6/1992	Makowsky
5,132,883 A	7/1992	La Lumandier
5,487,441 A	1/1996	Endo et al.
5,513,080 A	4/1996	Magle et al.

5,794,730 A	8/1998	Kamen
6,050,357 A	4/2000	Staelin et al.
6,223,104 B1	4/2001	Kamen et al.
6,288,505 B1	9/2001	Heinzmann et al.

(Continued)

**FOREIGN PATENT DOCUMENTS**

TW	450823 B	8/2001
WO	2009071879 A9	6/2009

**OTHER PUBLICATIONS**

Ben Smither, Balancing Scooter / Skateboard., video, retrieved Sep. 22, 2016 from <https://www.youtube.com/watch?v=HGbbag9dkIU>, uploaded to YouTube on Mar. 4, 2007.

(Continued)

*Primary Examiner* — Robin V Webster

*Assistant Examiner* — Keith J Wilson

(74) *Attorney, Agent, or Firm* — Kolitch Romano LLP

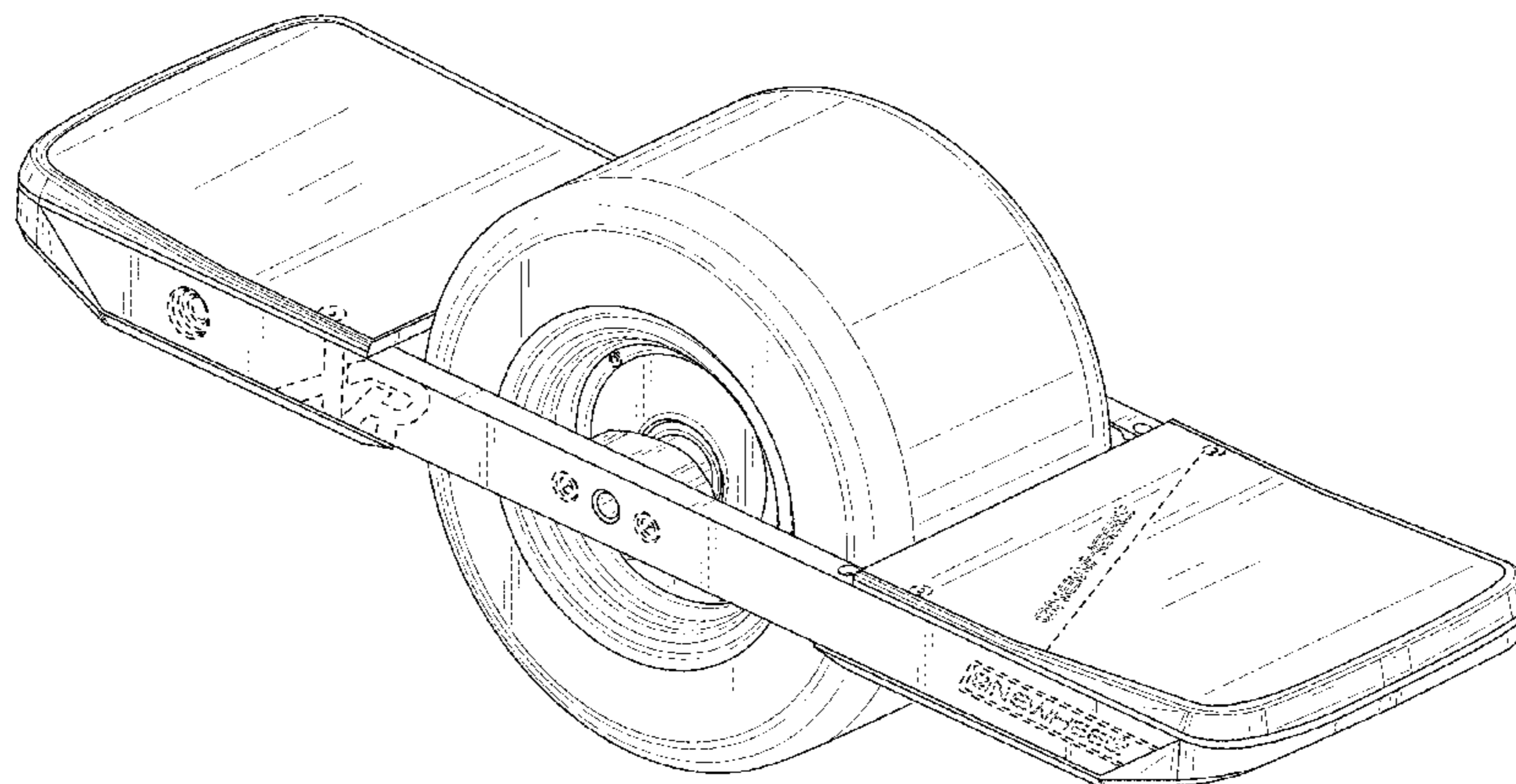
(57) **CLAIM**

The ornamental design for a skateboard, as shown and described.

**DESCRIPTION**

FIG. 1 is an upper, front, and right side perspective view of a skateboard showing the new design; FIG. 2 is an upper, front, and left side perspective view thereof; FIG. 3 is an upper, rear, and left side perspective view thereof; FIG. 4 is a top plan view thereof; FIG. 5 is a bottom plan view thereof; FIG. 6 is a right side elevational view thereof; FIG. 7 is a left side elevational view thereof; FIG. 8 is a rear elevational view thereof; and, FIG. 9 is a front elevational view thereof. The dashed lines and structure they depict form no part of the claimed design.

**1 Claim, 9 Drawing Sheets**



(56)

References Cited

U.S. PATENT DOCUMENTS

6,332,103 B1 12/2001 Steenson, Jr. et al.  
 6,408,240 B1 6/2002 Morrell et al.  
 6,536,788 B1 3/2003 Kuncz et al.  
 6,538,411 B1 3/2003 Field et al.  
 6,553,271 B1 4/2003 Morrell  
 6,561,294 B1 5/2003 Kamen et al.  
 6,779,621 B2 8/2004 Kamen et al.  
 6,789,640 B1 9/2004 Arling et al.  
 6,827,163 B2 12/2004 Amsbury et al.  
 6,874,591 B2 4/2005 Morrell et al.  
 6,965,206 B2 11/2005 Kamen et al.  
 6,992,452 B1 1/2006 Sachs et al.  
 7,023,330 B2 4/2006 Kamen et al.  
 7,053,289 B2 5/2006 Iwai et al.  
 7,090,040 B2 8/2006 Kamen et al.  
 7,091,724 B2 8/2006 Heinzmann et al.  
 7,130,702 B2 10/2006 Morrell  
 7,138,774 B2 11/2006 Negoro et al.  
 7,157,875 B2 1/2007 Kamen et al.  
 7,172,044 B2 2/2007 Bouvet  
 7,198,280 B2 4/2007 Hara  
 7,263,453 B1 8/2007 Gansler et al.  
 D551,592 S 9/2007 Chang et al.  
 D567,318 S 4/2008 Farrelly et al.  
 7,424,927 B2 9/2008 Hiramatsu  
 D580,132 S \* 11/2008 Lin ..... D2/946  
 7,479,097 B2 1/2009 Rosborough et al.  
 7,740,099 B2 1/2010 Field et al.  
 7,757,794 B2 7/2010 Heinzmann et al.  
 D624,136 S 9/2010 Chen  
 7,789,174 B2 9/2010 Kamen et al.  
 7,811,217 B2 10/2010 Odien  
 7,857,088 B2 12/2010 Field et al.  
 7,900,725 B2 3/2011 Heinzmann et al.  
 7,962,256 B2 6/2011 Stevens et al.  
 7,963,352 B2 6/2011 Alexander  
 7,979,179 B2 7/2011 Gansler  
 8,025,300 B1 9/2011 Jordan  
 8,052,293 B2 11/2011 Hurwitz  
 8,083,313 B2 12/2011 Karppinen et al.  
 8,146,696 B2 4/2012 Kaufman  
 8,170,780 B2 5/2012 Field et al.  
 8,308,171 B2 11/2012 Farrelly  
 8,467,941 B2 6/2013 Field et al.  
 8,490,723 B2 7/2013 Heinzmann et al.  
 8,562,386 B2 10/2013 Carlson et al.  
 8,579,306 B2 11/2013 Lewis  
 8,682,487 B2 3/2014 Kurth et al.  
 D704,786 S 5/2014 Tang

9,101,817 B2 8/2015 Doerksen  
 9,211,470 B2 12/2015 Bigler  
 D746,928 S 1/2016 Doerksen  
 D747,668 S 1/2016 Chen  
 9,327,182 B1 5/2016 Meak et al.  
 9,400,505 B2 7/2016 Doerksen  
 D768,252 S 10/2016 Bigler  
 D769,997 S 10/2016 Doerksen  
 D785,737 S \* 5/2017 Meak ..... D21/765  
 9,643,077 B2 5/2017 Bigler  
 D797,875 S \* 9/2017 Ma ..... D21/760  
 9,755,485 B1 9/2017 Doerksen et al.  
 9,802,109 B2 10/2017 Doerksen  
 D802,693 S \* 11/2017 Lu ..... D21/765  
 D815,227 S \* 4/2018 Ma ..... D21/765  
 D815,228 S \* 4/2018 Ma ..... D21/765  
 D821,517 S \* 6/2018 Doerksen ..... D21/765  
 10,010,784 B1 \* 7/2018 Doerksen ..... A63C 17/0046  
 D827,747 S \* 9/2018 Ma ..... D21/765  
 2005/0006859 A1 1/2005 Farrelly et al.  
 2005/0241864 A1 11/2005 Hiramatsu  
 2006/0012141 A1 1/2006 Bouvet  
 2006/0049595 A1 3/2006 Crigler et al.  
 2007/0194558 A1 8/2007 Stone et al.  
 2007/0254789 A1 11/2007 Odien  
 2010/0330876 A1 12/2010 Carlson et al.  
 2011/0309772 A1 12/2011 Forgey  
 2012/0232734 A1 9/2012 Pelletier  
 2013/0081891 A1 4/2013 Ulmen et al.  
 2013/0175943 A1 7/2013 Tackett  
 2014/0326525 A1 11/2014 Doerksen  
 2016/0121198 A1 5/2016 Doerksen et al.  
 2017/0120139 A1 5/2017 Ma  
 2017/0257008 A1 9/2017 Doerksen et al.

OTHER PUBLICATIONS

www.electricunicycle.com, "Leviskate self-balancing one-wheel skateboard", video, retrieved Sep. 22, 2016 from <https://www.youtube.com/watch?v=462Jj1xSSqc>, uploaded to YouTube on Aug. 5, 2007. John Xenon, "One wheel self balancing skateboard Ver2 Jan 2009. #2", video, retrieved Sep. 22, 2016 from <https://www.youtube.com/watch?v=8RPFNUuW78>, uploaded to YouTube on Jan. 3, 2009. Rodger Cleye, "Leviskate (Balancing Skateboard) in Operation", video, retrieved Sep. 22, 2016 from [https://www.youtube.com/watch?v=eN2J8m\\_E0go](https://www.youtube.com/watch?v=eN2J8m_E0go), uploaded to YouTube on Apr. 18, 2013. U.S. Patent and Trademark Office, Office action dated Dec. 14, 2017 in U.S. Appl. No. 29/589,624, which is another U.S. application of Applicant Future Motion, Inc.

\* cited by examiner



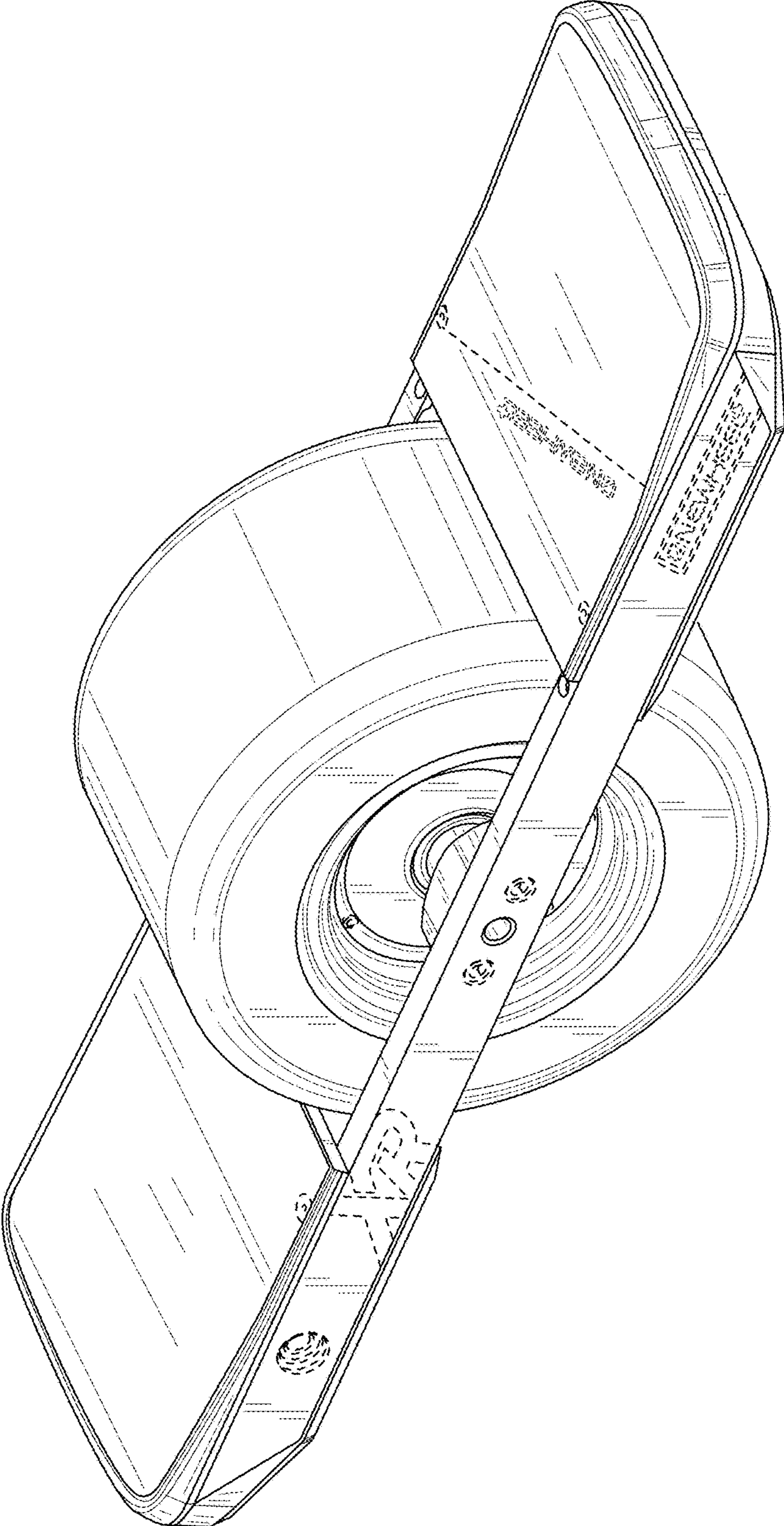


FIG. 1

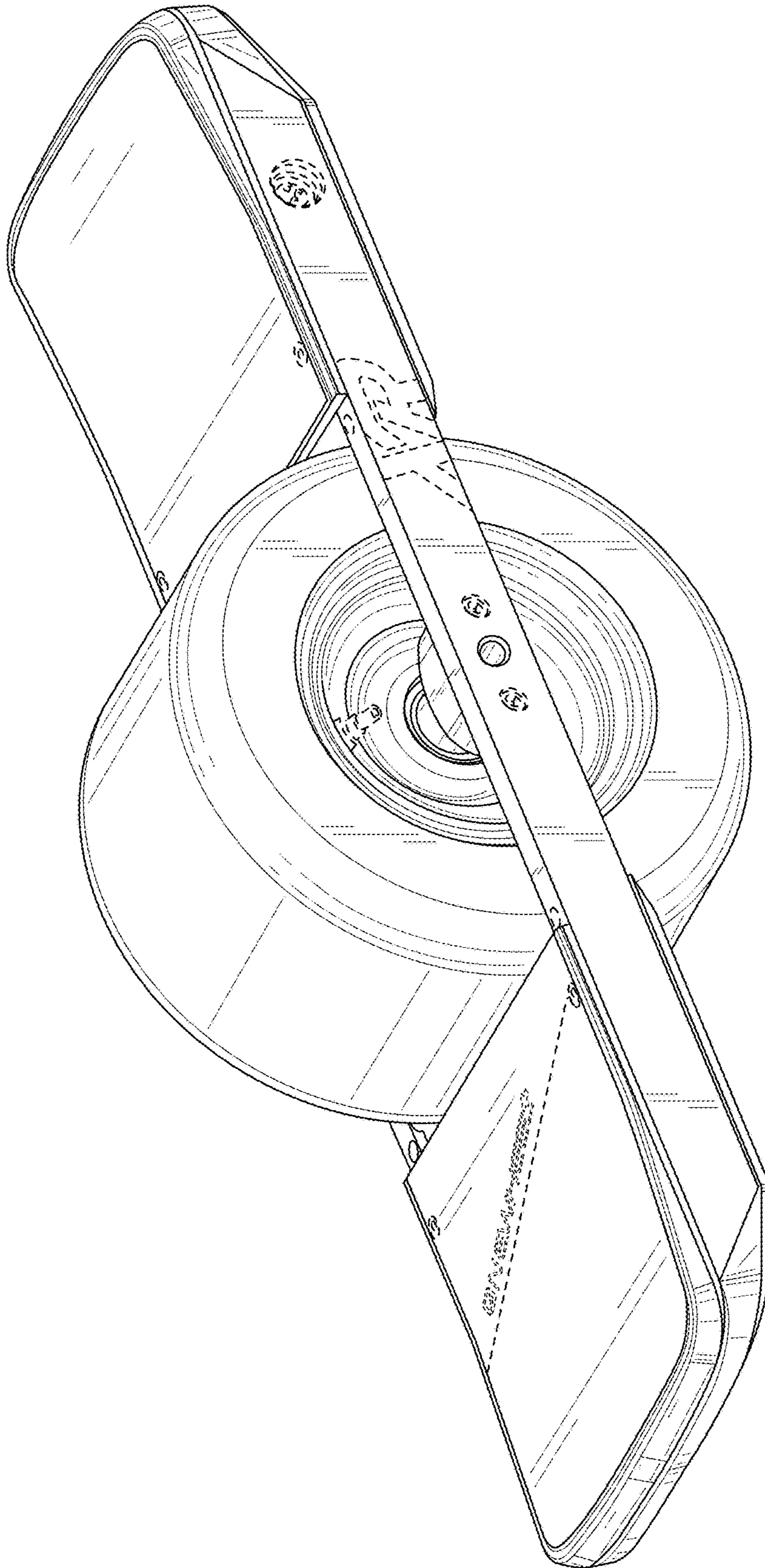


FIG. 2

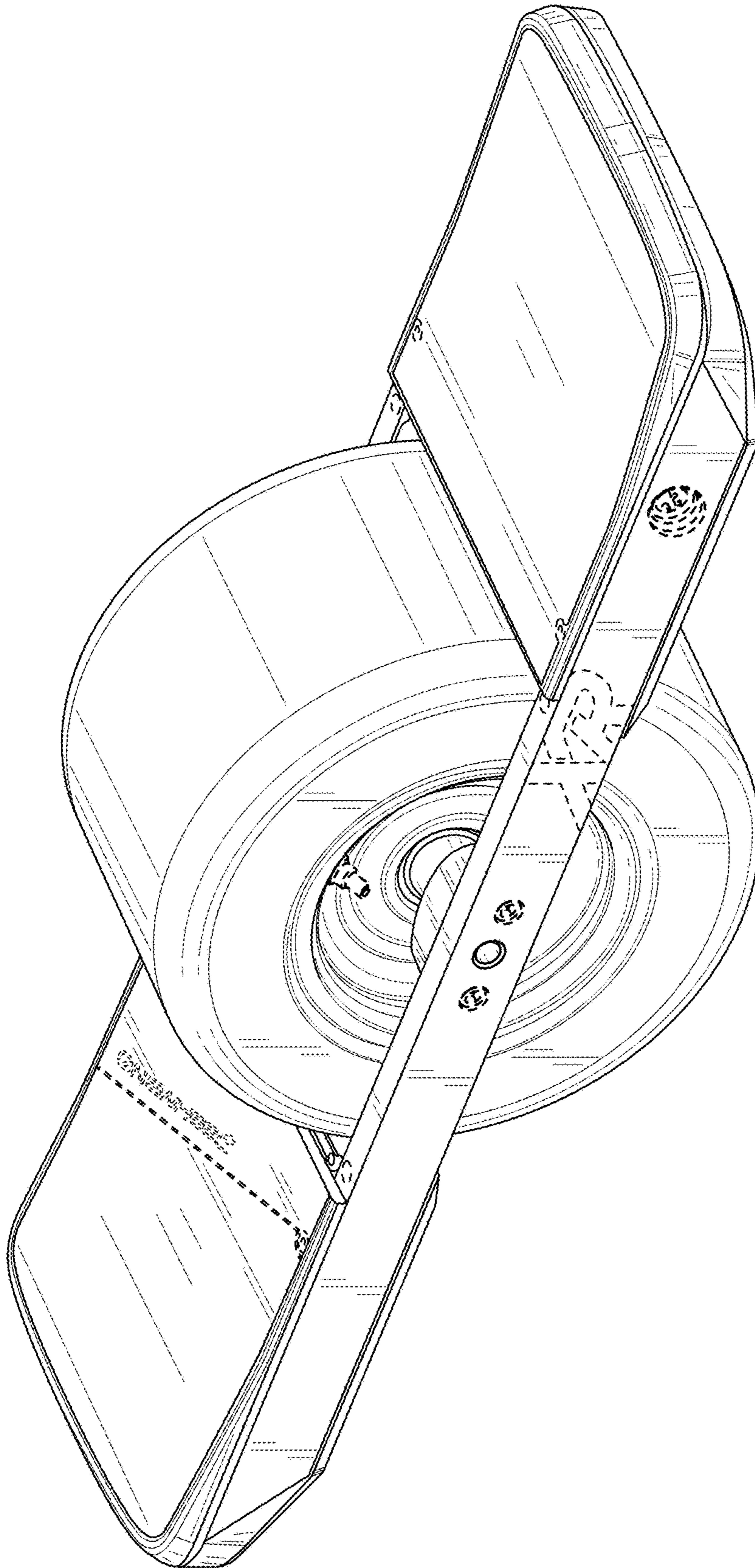


FIG. 3



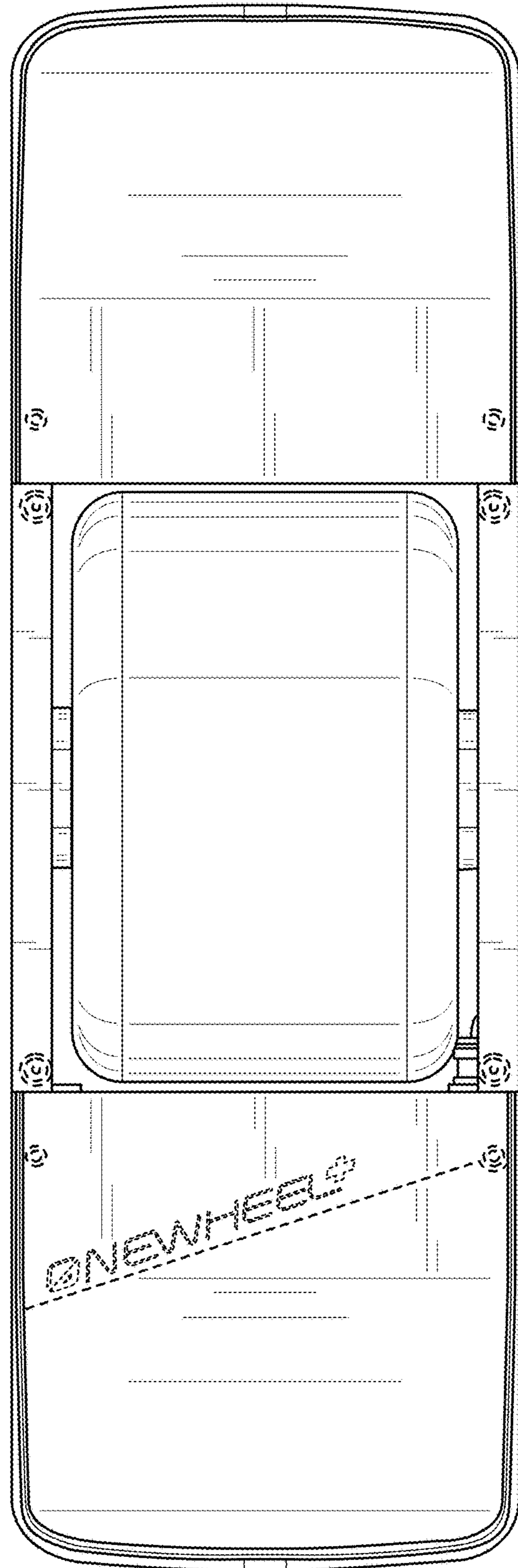


FIG. 4

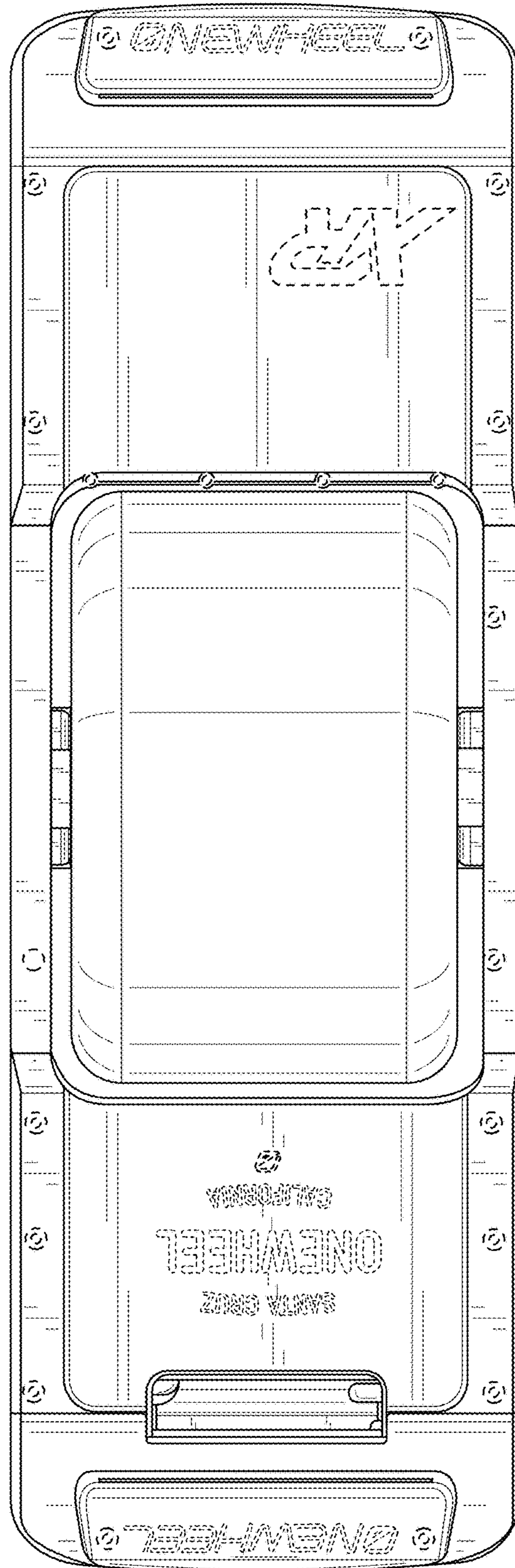


FIG. 5

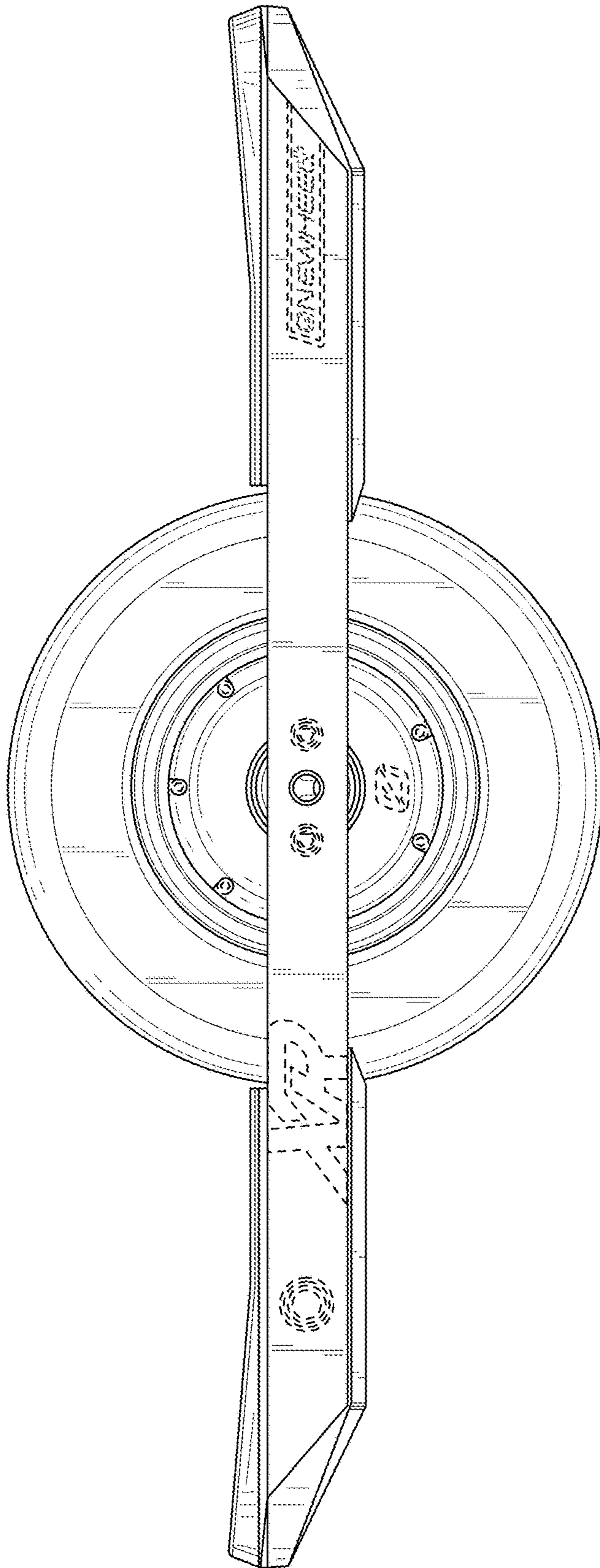


FIG. 6



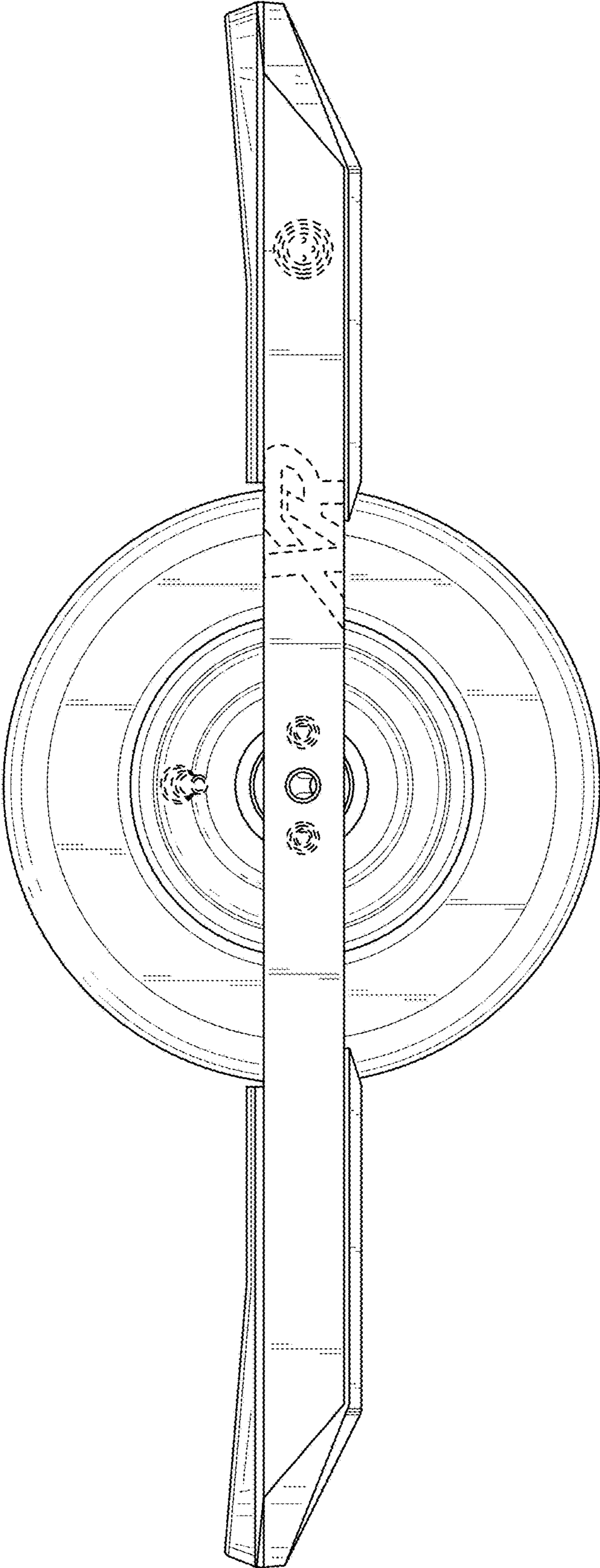


FIG. 7

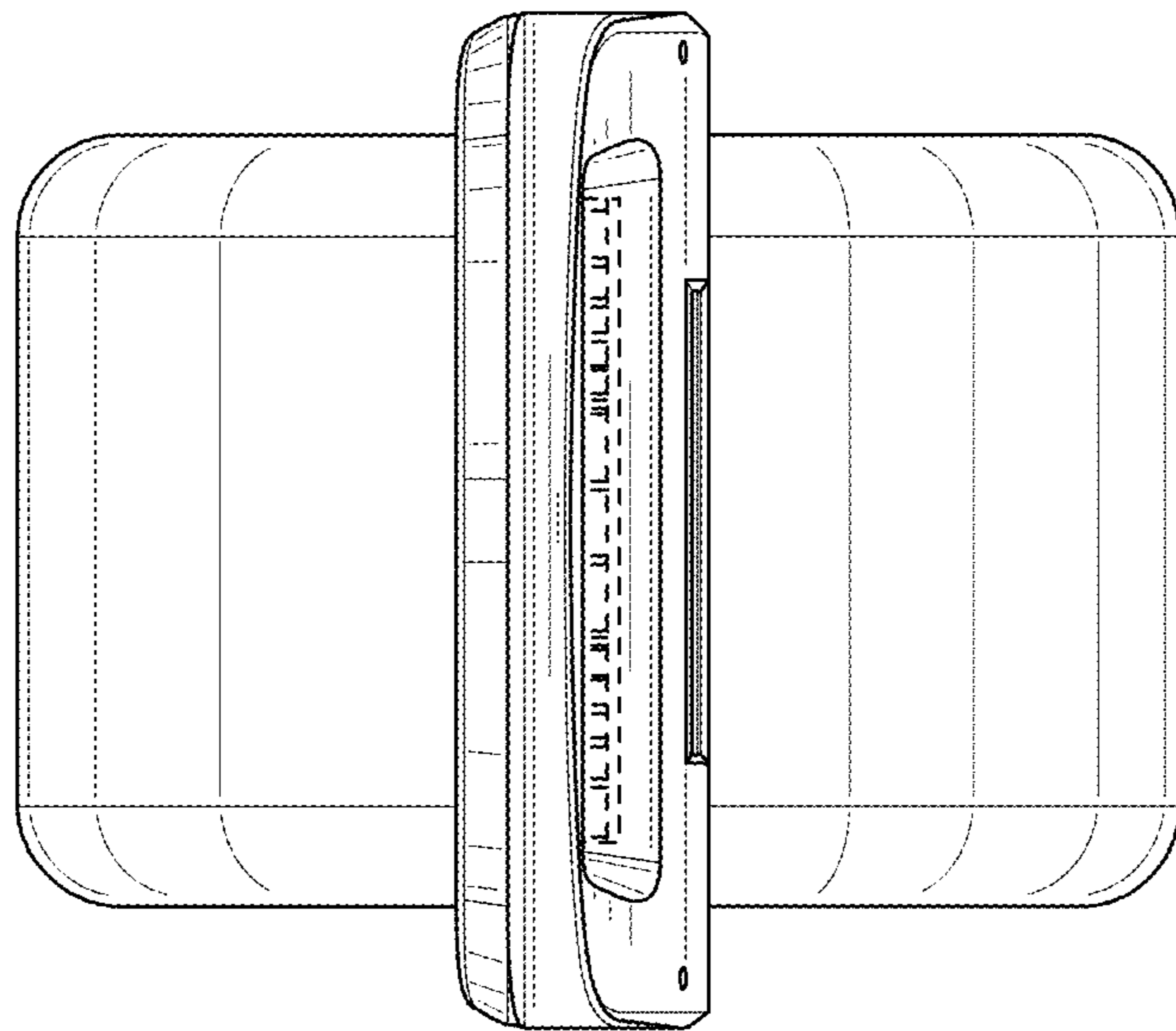


FIG. 8

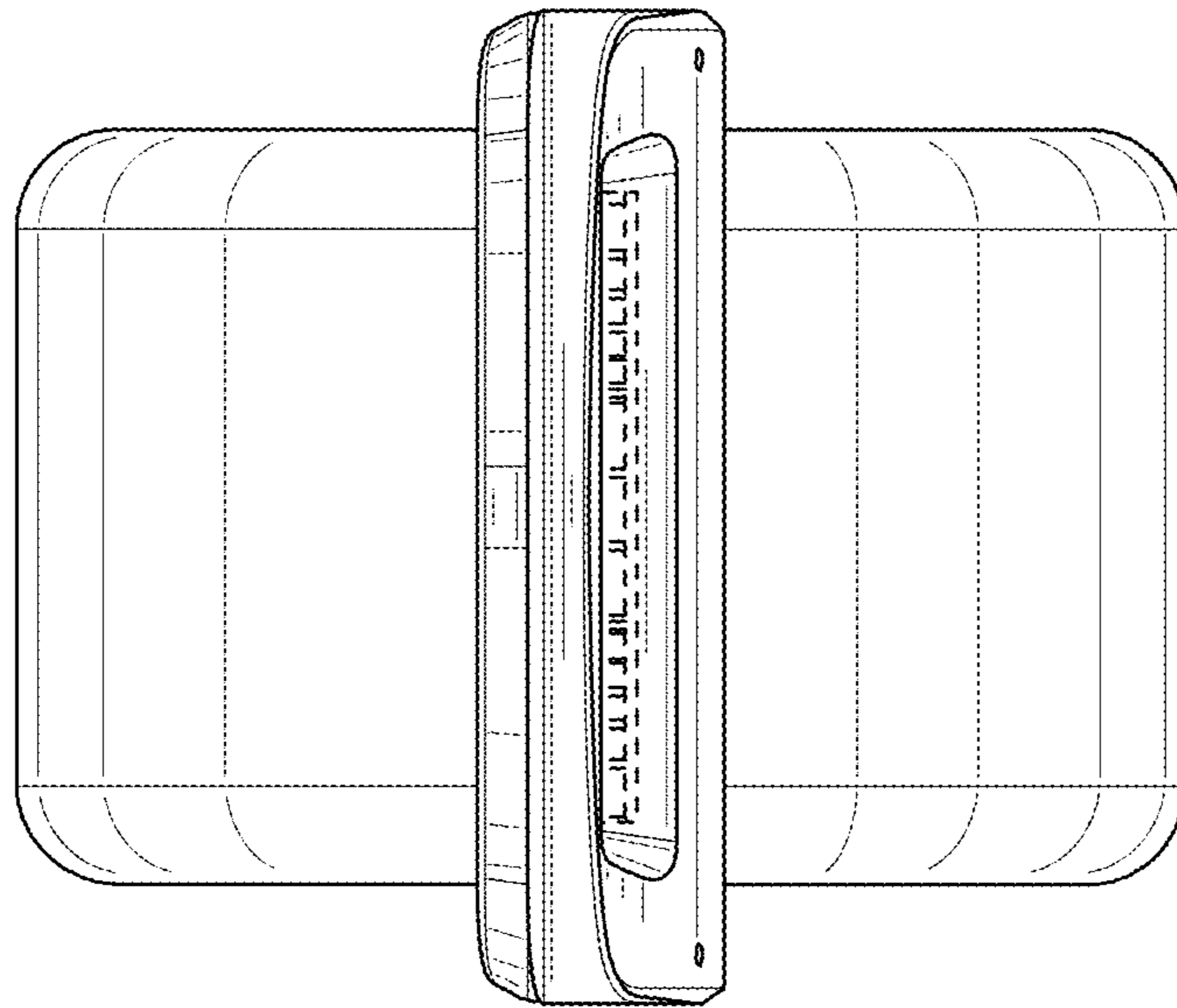


FIG. 9