



US00D850548S

(12) **United States Design Patent** (10) **Patent No.:** **US D850,548 S**  
**Reichert** (45) **Date of Patent:** **\*\* Jun. 4, 2019**

(54) **GOLF TEE RESTRAINT**  
(71) Applicant: **William Reichert**, Hernando, FL (US)  
(72) Inventor: **William Reichert**, Hernando, FL (US)  
(\*\*) Term: **15 Years**  
(21) Appl. No.: **29/590,607**  
(22) Filed: **Jan. 11, 2017**  
(51) **LOC (11) Cl.** ..... **21-02**  
(52) **U.S. Cl.**  
USPC ..... **D21/715**  
(58) **Field of Classification Search**  
USPC ..... 473/147, 282, 387, 388, 389, 390, 391,  
473/392, 393, 394, 395, 396, 397, 398,  
473/399, 400, 401, 402, 403; D21/715,  
D21/717, 718, 719, 720, 789, 791, 796,  
D21/839, 840  
CPC ... A63B 57/10; A63B 57/203; A63B 69/3667;  
A63B 57/12  
See application file for complete search history.

D586,411 S \* 2/2009 Iacono ..... D21/717  
D602,102 S \* 10/2009 Tapia ..... D21/717  
D620,541 S \* 7/2010 Timbers ..... D21/718  
D656,212 S \* 3/2012 Cherrie ..... D21/717  
D697,989 S \* 1/2014 DeLisle ..... D21/718  
D713,899 S \* 9/2014 Asbert ..... D21/717  
D722,121 S \* 2/2015 Cox ..... D21/718  
D729,328 S \* 5/2015 Romley ..... D21/718  
D741,424 S \* 10/2015 Dastrup ..... D21/718  
D769,388 S \* 10/2016 Schmidt ..... D21/791  
D782,587 S \* 3/2017 Carroll, Jr. .... D21/718  
D790,012 S \* 6/2017 Paulson ..... D21/717  
D795,369 S \* 8/2017 Buechler ..... D21/717  
2006/0100037 A1\* 5/2006 Pels ..... A63B 57/12  
473/387  
2006/0229144 A1\* 10/2006 Lee ..... A63B 57/10  
473/393  
2007/0219011 A1\* 9/2007 Sheffield ..... A63B 55/10  
473/282  
2007/0225088 A1\* 9/2007 Lee ..... A63B 57/12  
473/391

(Continued)

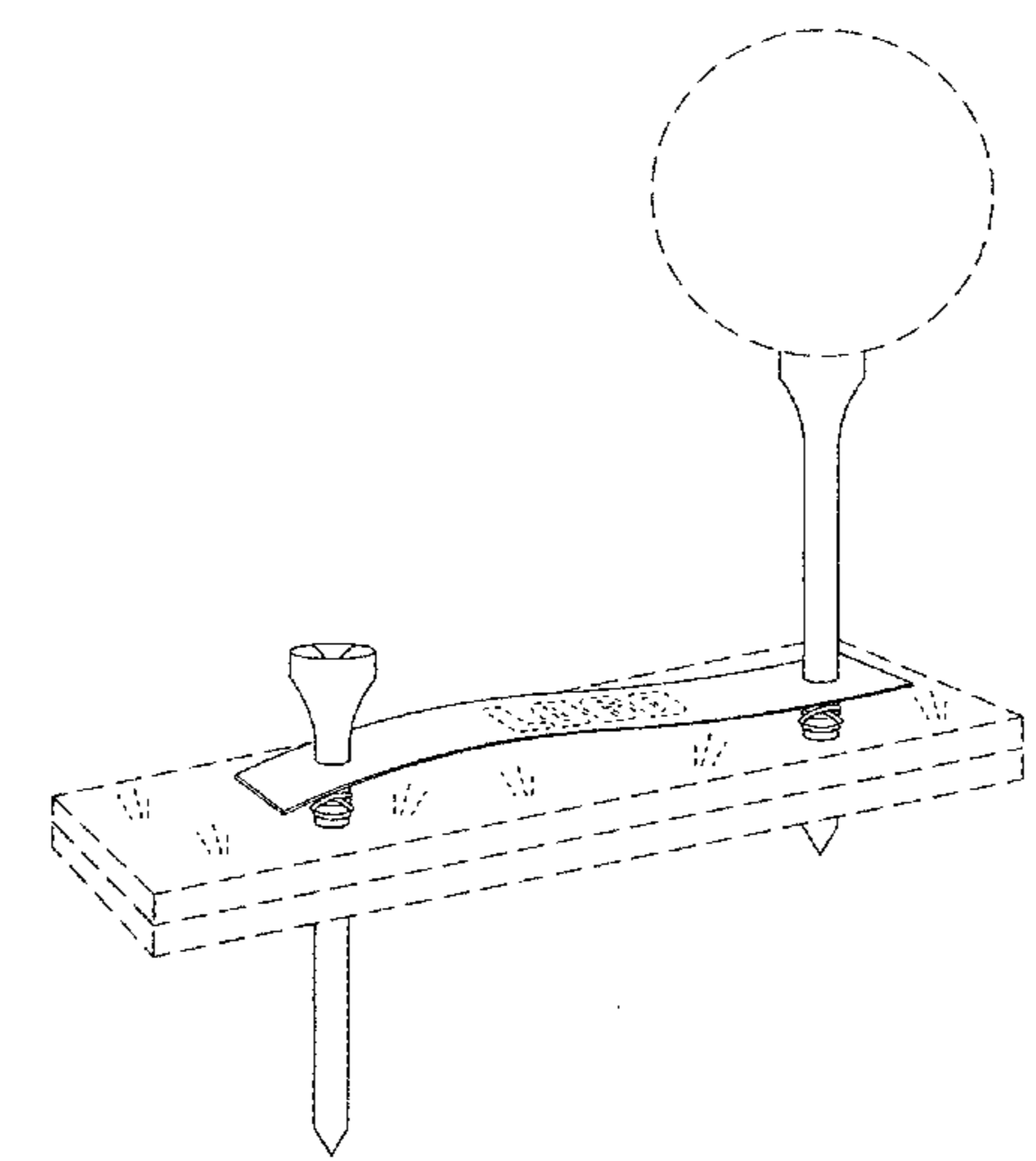
*Primary Examiner* — Cynthia Ramirez  
*Assistant Examiner* — Michael A Maharajh  
(74) *Attorney, Agent, or Firm* — Justin Luby

(56) **References Cited**  
U.S. PATENT DOCUMENTS  
D158,622 S \* 5/1950 Sherwin ..... D21/791  
5,221,090 A \* 6/1993 Hong ..... A63B 57/12  
473/390  
D337,364 S \* 7/1993 Piper ..... D21/717  
D349,318 S \* 8/1994 Rubin ..... D21/718  
D360,919 S \* 8/1995 O'Hara ..... D21/718  
D399,896 S \* 10/1998 Plain ..... D21/717  
D502,972 S \* 3/2005 DeLisle ..... D21/718  
D516,146 S \* 2/2006 Iacono ..... D21/718  
D524,885 S \* 7/2006 Solari ..... D21/718  
D539,374 S \* 3/2007 Whitehouse ..... D21/789  
D542,366 S \* 5/2007 Iacono ..... D21/717  
D559,926 S \* 1/2008 Wood ..... D21/718  
D562,420 S \* 2/2008 Khamsitthisack ..... D21/718  
D572,323 S \* 7/2008 Merullo ..... D21/718

(57) **CLAIM**  
The ornamental design for a golf tee restraint, as shown and described.

**DESCRIPTION**  
FIG. 1 is a perspective view of a golf tee restraint showing my new design;  
FIG. 2 is a perspective view of a golf tee restraint shown in a condition of use; and,  
FIG. 3 is a side view thereof.  
The broken lines in the drawings are for the purpose of illustrating the environmental structure which form no part of the claimed design.

**1 Claim, 3 Drawing Sheets**



(56)

**References Cited**

U.S. PATENT DOCUMENTS

2007/0298909 A1\* 12/2007 Lu ..... A63B 57/12  
473/393  
2008/0064532 A1\* 3/2008 Lee ..... A63B 57/203  
473/396  
2013/0005511 A1\* 1/2013 Murphy ..... A63B 57/12  
473/399  
2014/0162810 A1\* 6/2014 Park ..... A63B 57/005  
473/391  
2014/0357390 A1\* 12/2014 Ong ..... A63B 69/3655  
473/147  
2015/0182827 A1\* 7/2015 Jackson ..... A63B 57/207  
473/396  
2015/0290507 A1\* 10/2015 Kim ..... A63B 57/203  
473/402  
2015/0314178 A1\* 11/2015 Cloutier ..... A63B 57/12  
473/393  
2016/0175671 A1\* 6/2016 Schmidt ..... A63B 57/0018  
473/392

\* cited by examiner

FIG.1

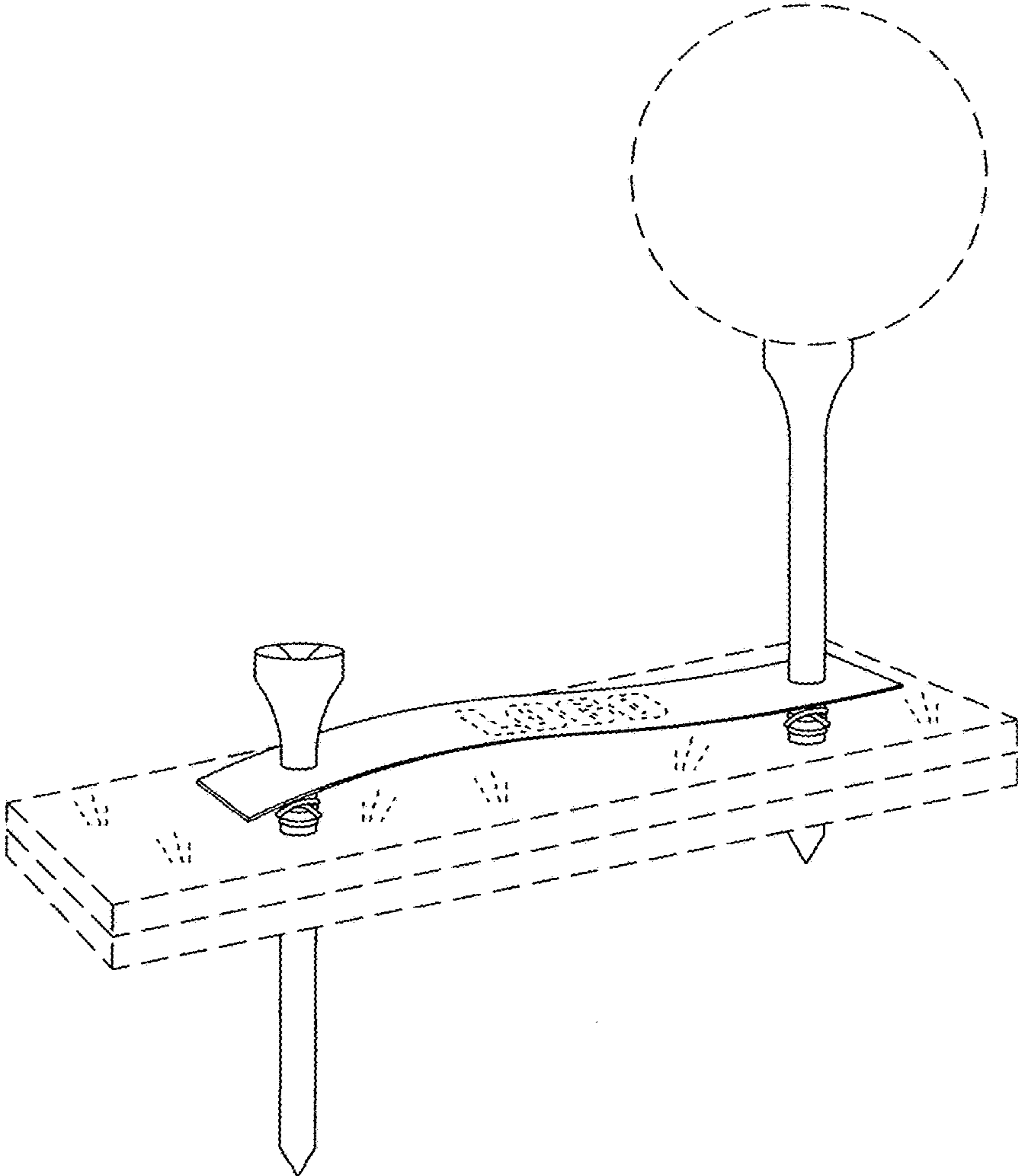


FIG.2

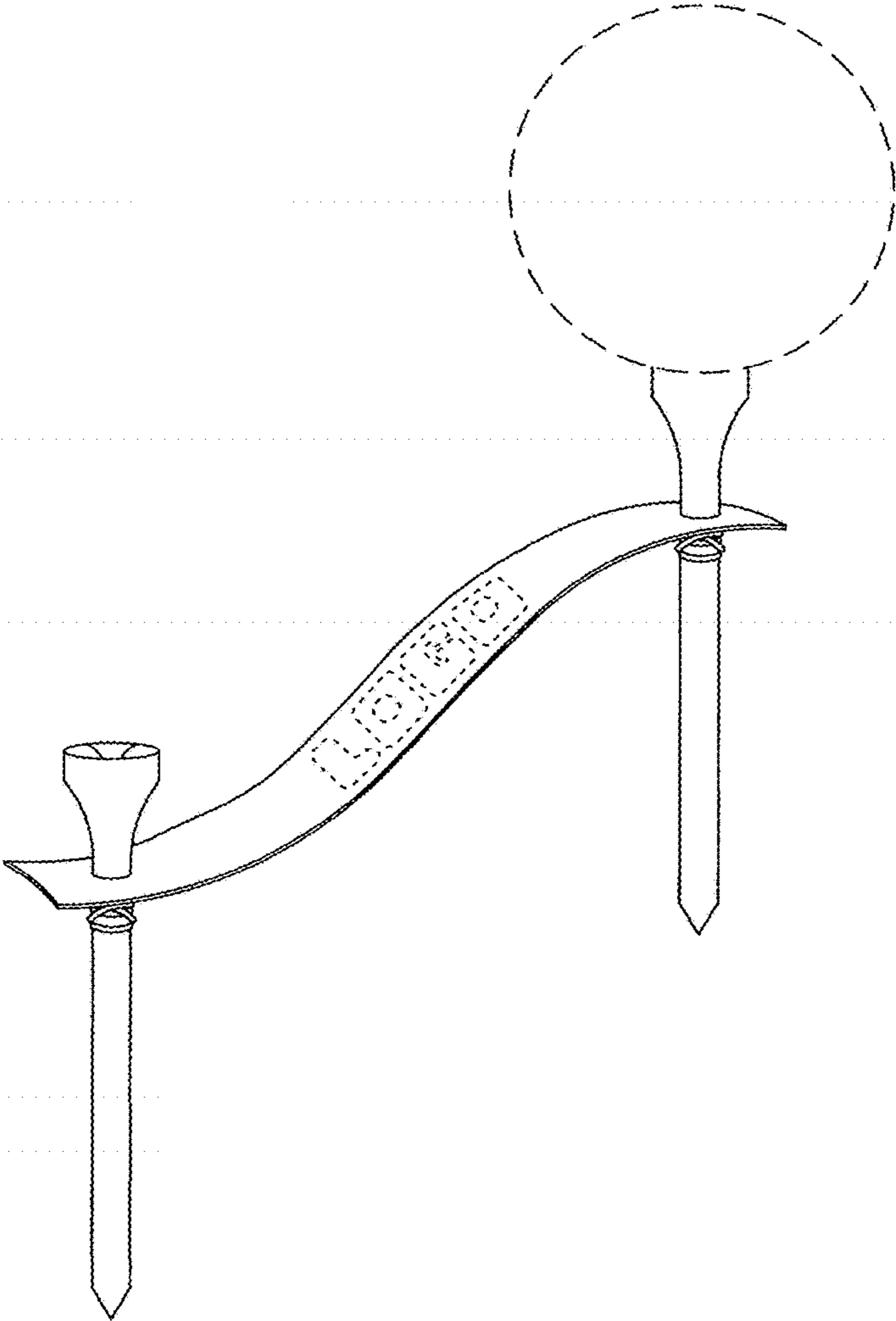


FIG.3

