



US00D850544S

(12) **United States Design Patent**
Noback et al.

(10) **Patent No.:** **US D850,544 S**
(45) **Date of Patent:** **** Jun. 4, 2019**

- (54) **TORSO TRAINER**
- (71) Applicant: **ALLTrand, Inc.**, Alpharetta, GA (US)
- (72) Inventors: **Carl Noback**, Alpharetta, GA (US);
Don Gasgarth, Alpharetta, GA (US);
Karl Poehls, Alpharetta, GA (US);
Jeffrey Zwitter, Alpharetta, GA (US);
Robert Noback, Alpharetta, GA (US)
- (**) Term: **15 Years**
- (21) Appl. No.: **29/627,336**
- (22) Filed: **Nov. 27, 2017**
- (51) **LOC (11) Cl.** **21-02**
- (52) **U.S. Cl.**
USPC **D21/691**
- (58) **Field of Classification Search**
USPC .. 482/40, 93, 94, 95, 98, 99, 100, 101, 104,
482/121, 140, 142, 143, 144, 145;
D12/178; D21/662, 673, 675, 676, 686,
D21/690, 691, 694; D6/552
CPC ... A63B 21/0442; A63B 21/078; A63B 21/16;
A63B 21/4033; A63B 23/02
See application file for complete search history.

- D380,024 S * 6/1997 Novak D21/690
- D394,482 S * 5/1998 Colonello D21/673
- 5,755,649 A * 5/1998 Bimby A63B 23/03533
482/121
- 5,769,766 A * 6/1998 Huang A63B 21/068
482/95
- 5,776,039 A * 7/1998 Perez, Jr. A63B 21/055
482/121
- D397,745 S * 9/1998 Wu D21/668
- D401,985 S * 12/1998 Wheeler D21/686
- 5,913,752 A * 6/1999 Bolf A63B 22/0076
482/95
- D425,585 S * 5/2000 Wu D21/673
- 6,149,552 A * 11/2000 Chen A63B 22/14
482/95
- 6,290,630 B1 * 9/2001 Boland A63B 21/0083
482/121
- D476,384 S * 6/2003 Perez D21/687

(Continued)

Primary Examiner — Cynthia Ramirez
Assistant Examiner — Michael A Maharajh
(74) *Attorney, Agent, or Firm* — Clayton, McKay & Bailey, PC

(57) **CLAIM**

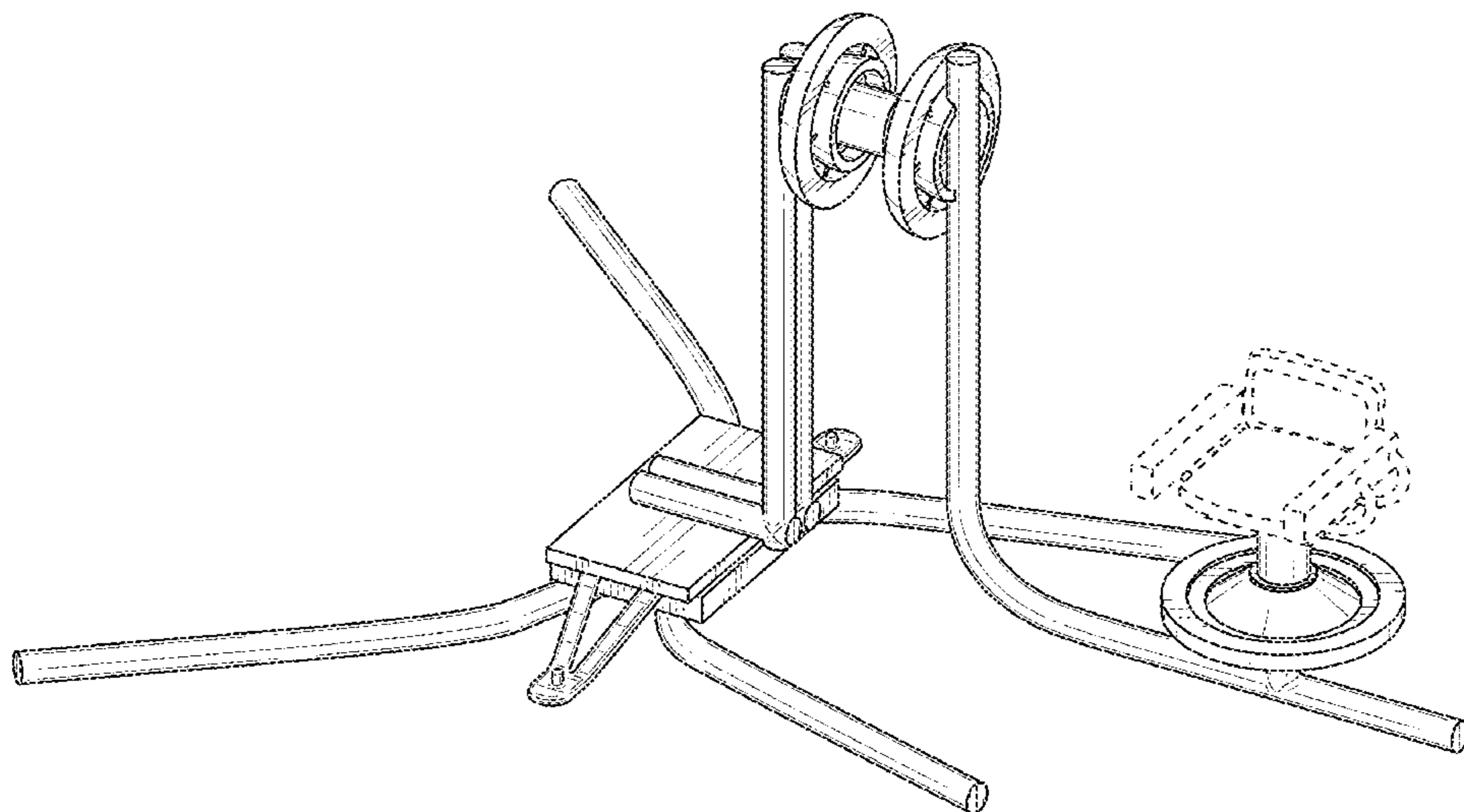
The ornamental design for a torso trainer, as shown and described.

DESCRIPTION

FIG. 1 is a perspective view of a torso trainer showing our new design.
FIG. 2 is a front view of the torso trainer.
FIG. 3 is a rear view of the torso trainer.
FIG. 4 is a left-side view of the torso trainer.
FIG. 5 is a right-side view of the torso trainer.
FIG. 6 is a top view of the torso trainer; and,
FIG. 7 is a bottom view of the torso trainer.
The broken lines depict portions of the torso trainer and form no part of the claimed design.

1 Claim, 7 Drawing Sheets

- (56) **References Cited**
U.S. PATENT DOCUMENTS
- D299,843 S * 2/1989 Brentham D21/673
- 4,867,143 A * 9/1989 Morin A61H 1/0218
482/144
- 4,974,832 A * 12/1990 Dalebout A63B 21/00069
482/140
- D336,498 S * 6/1993 Engel D21/690
- D337,361 S * 7/1993 Engel D21/676
- D346,189 S * 4/1994 Chen D21/690
- 5,310,393 A * 5/1994 Highsmith A63B 21/0615
482/93
- D370,241 S * 5/1996 Real D21/690
- D378,110 S * 2/1997 Collinsworth D21/690



(56)

References Cited

U.S. PATENT DOCUMENTS

6,602,171 B1 * 8/2003 Tsen A63B 21/023
 482/140
 D486,870 S * 2/2004 Mason D21/662
 6,716,144 B1 * 4/2004 Shifferaw A63B 21/023
 482/93
 6,827,676 B2 * 12/2004 Kuo A63B 21/04
 482/121
 6,918,861 B2 * 7/2005 Liao A63B 22/14
 482/146
 6,923,749 B1 * 8/2005 Smith A63B 21/00072
 482/95
 6,997,857 B2 * 2/2006 Bowman A63B 23/0222
 482/121
 7,044,899 B2 * 5/2006 Kuo A63B 21/055
 482/121
 7,108,642 B1 * 9/2006 Stearns A63B 23/0211
 482/121
 7,137,934 B2 * 11/2006 Paramater A63B 21/068
 482/95

7,160,233 B2 * 1/2007 Perez A63B 21/068
 482/140
 7,179,212 B2 * 2/2007 Hsiung A63B 23/02
 482/140
 D541,356 S * 4/2007 Ayton D21/686
 D571,872 S * 6/2008 Batca D21/691
 D582,495 S * 12/2008 Lindblad D21/690
 D598,965 S * 8/2009 Augustine D21/673
 7,585,263 B2 * 9/2009 Brown A63B 23/03525
 482/140
 D613,804 S * 4/2010 Perez D21/691
 D617,855 S * 6/2010 Leier D21/686
 D624,135 S * 9/2010 Tsai D21/673
 D650,025 S * 12/2011 Leier D21/691
 D650,026 S * 12/2011 Leier D21/691
 8,210,998 B2 * 7/2012 Chen A63B 21/00181
 482/140
 D724,678 S * 3/2015 Miller, Jr. D21/691
 D729,887 S * 5/2015 Zeng D21/686
 D796,593 S * 9/2017 Ho D21/688
 2003/0130100 A1 * 7/2003 Perez A63B 21/068
 482/140

* cited by examiner

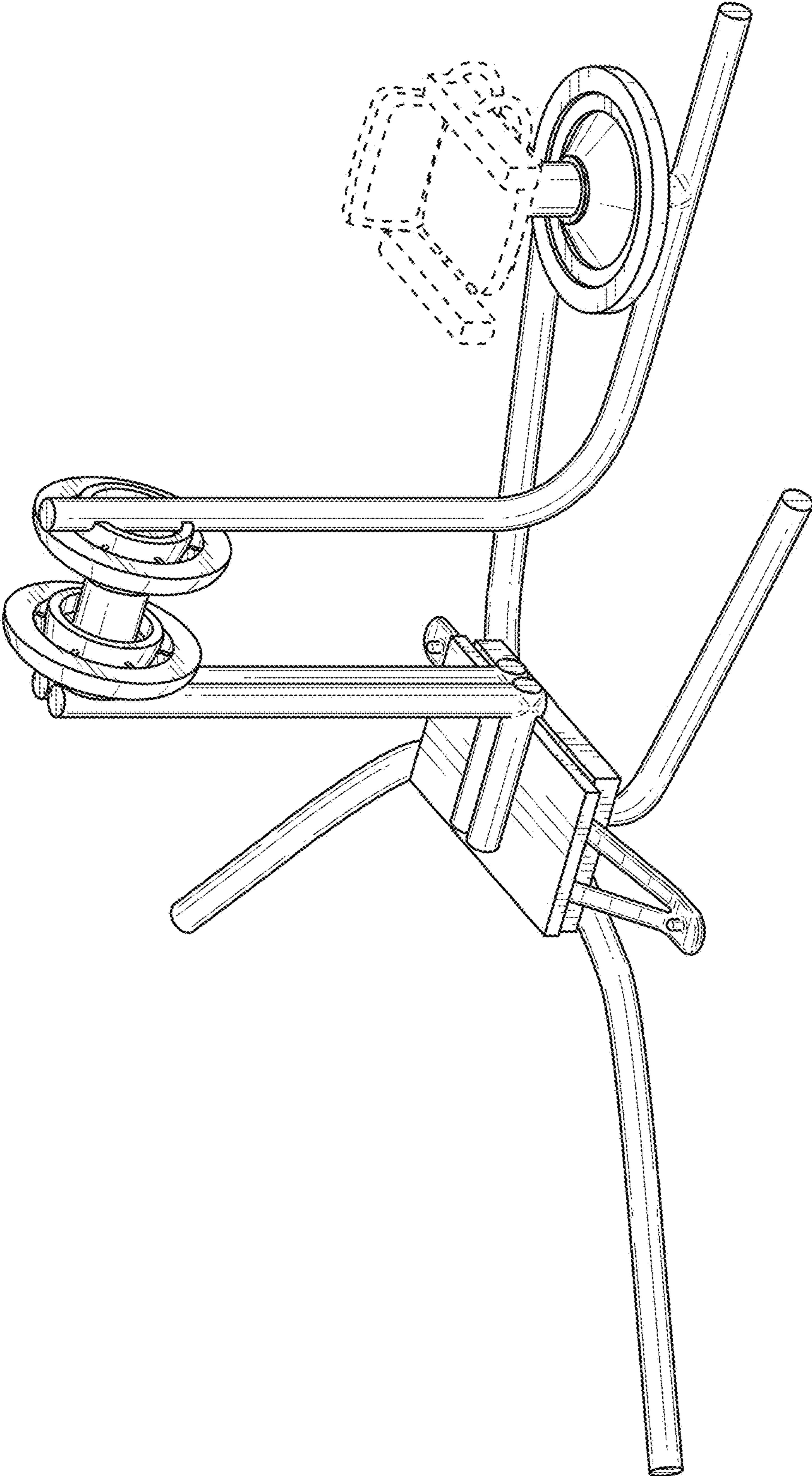


FIG. 1

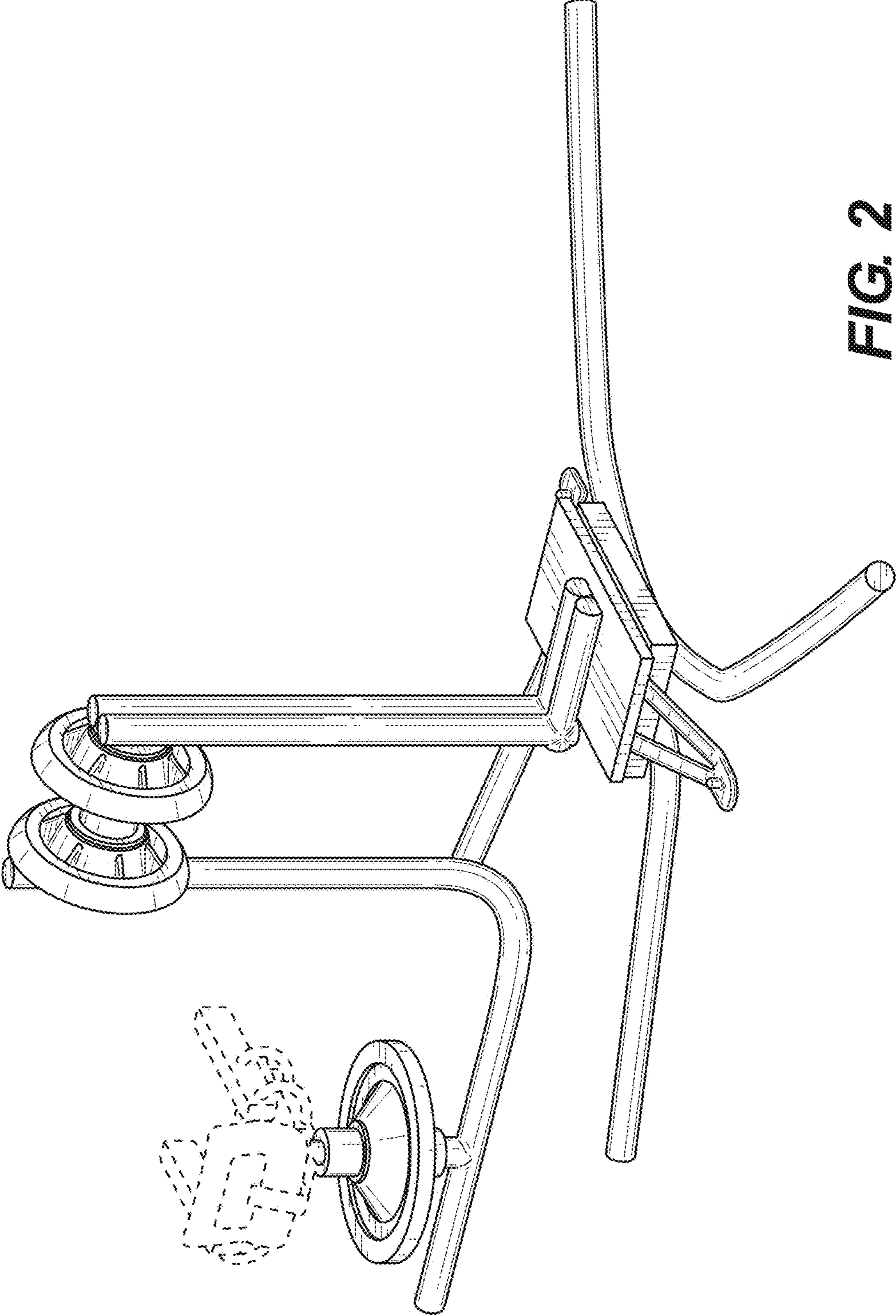


FIG. 2

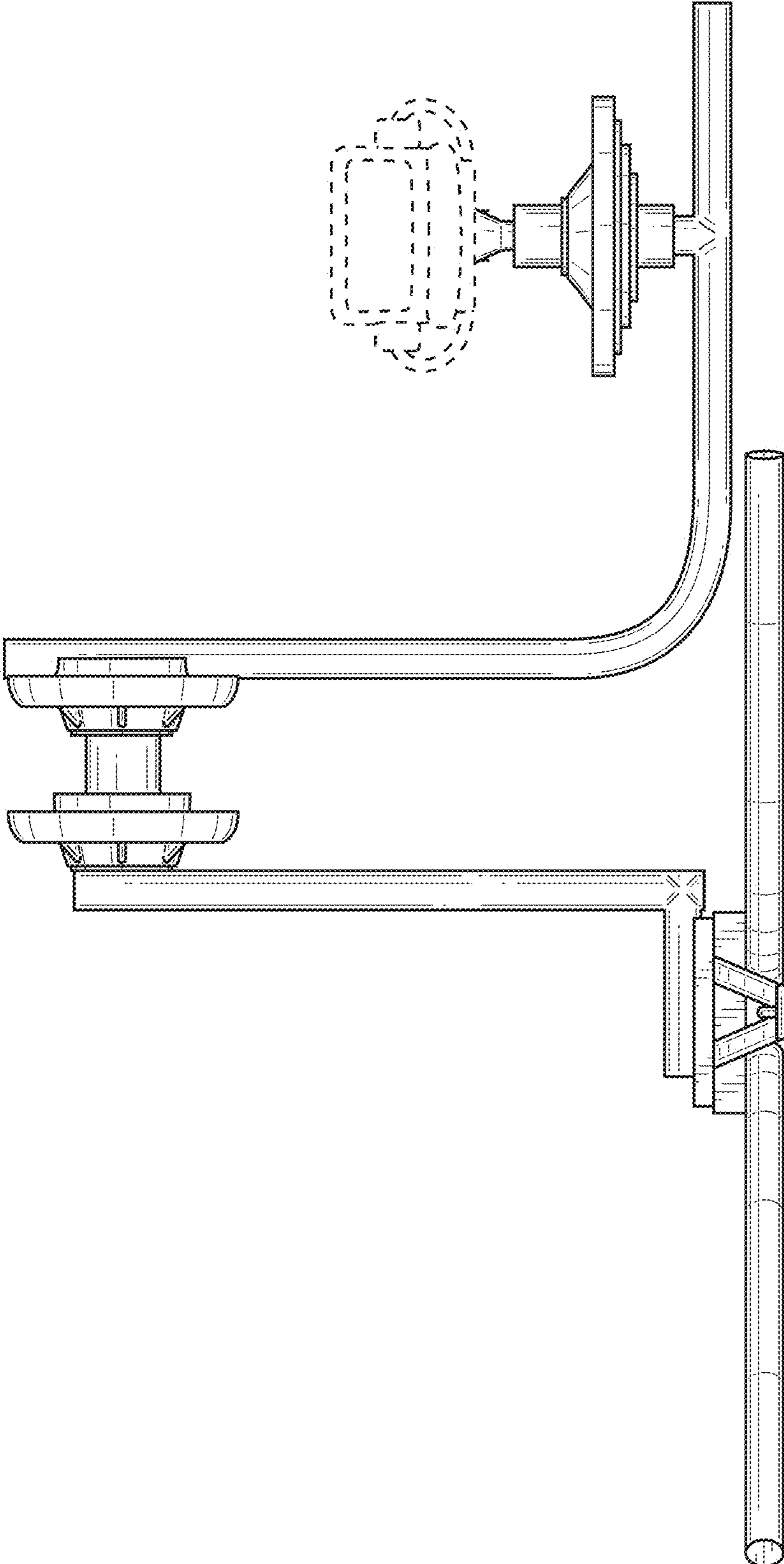


FIG. 3

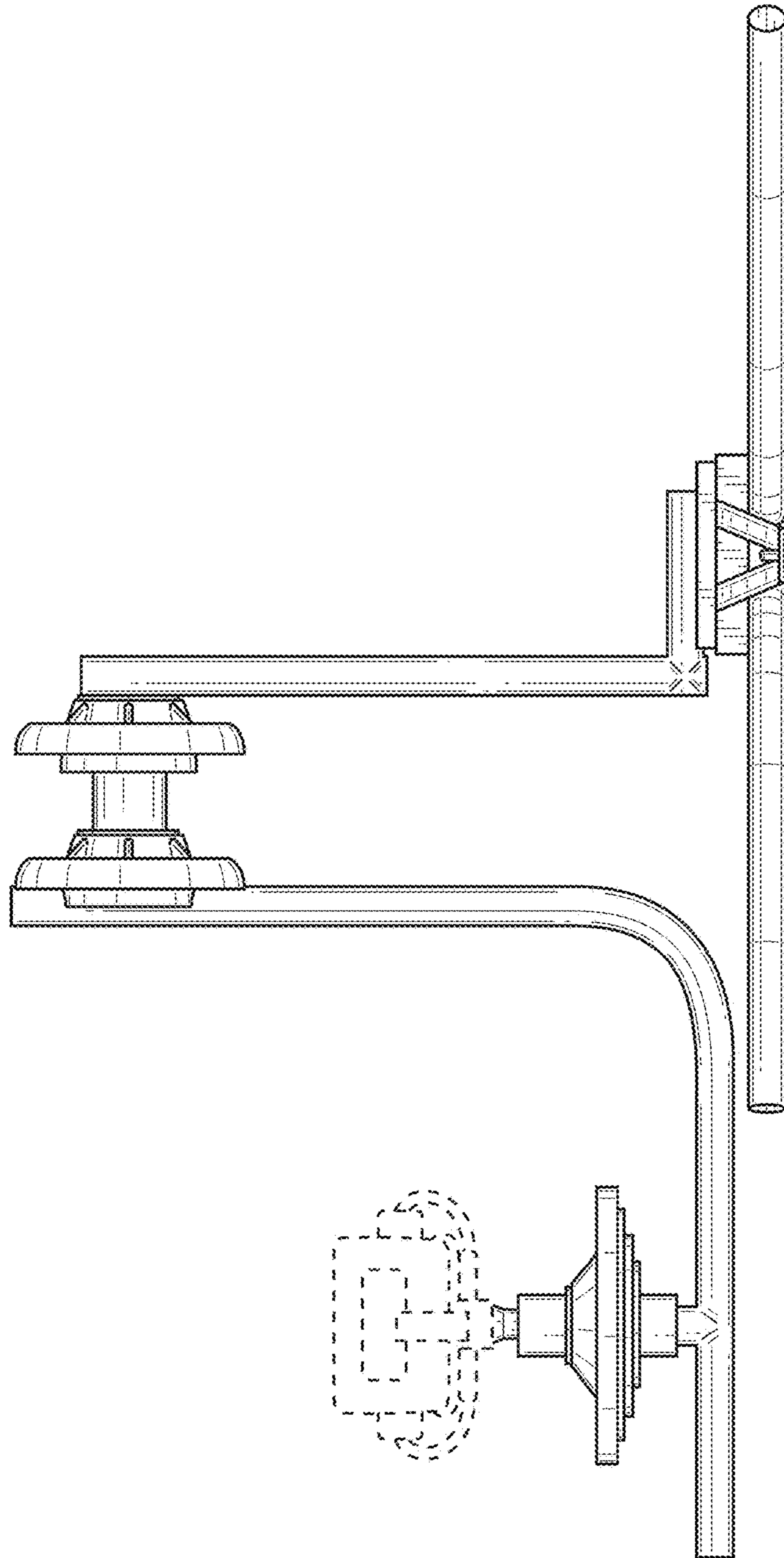


FIG. 4

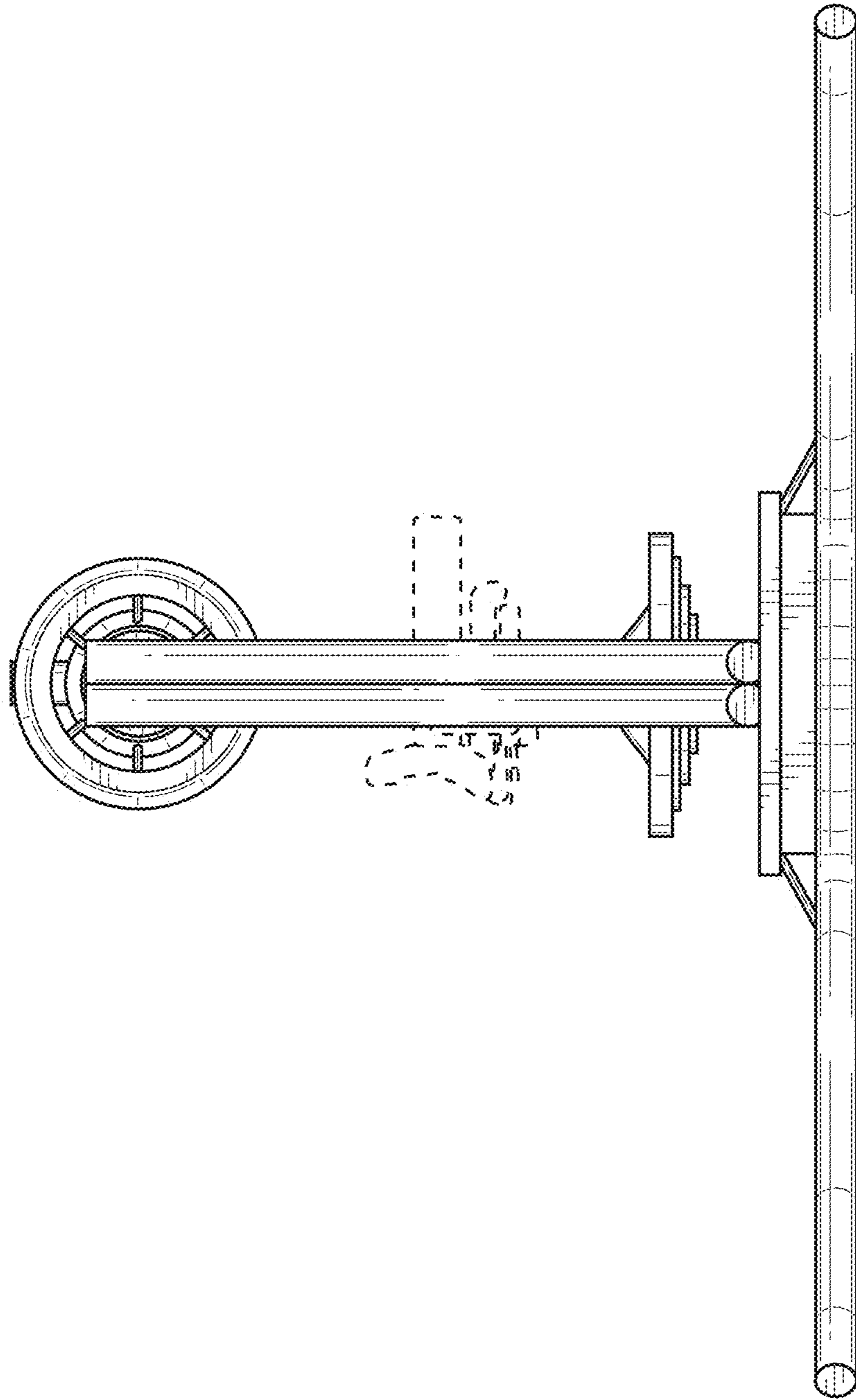


FIG. 5

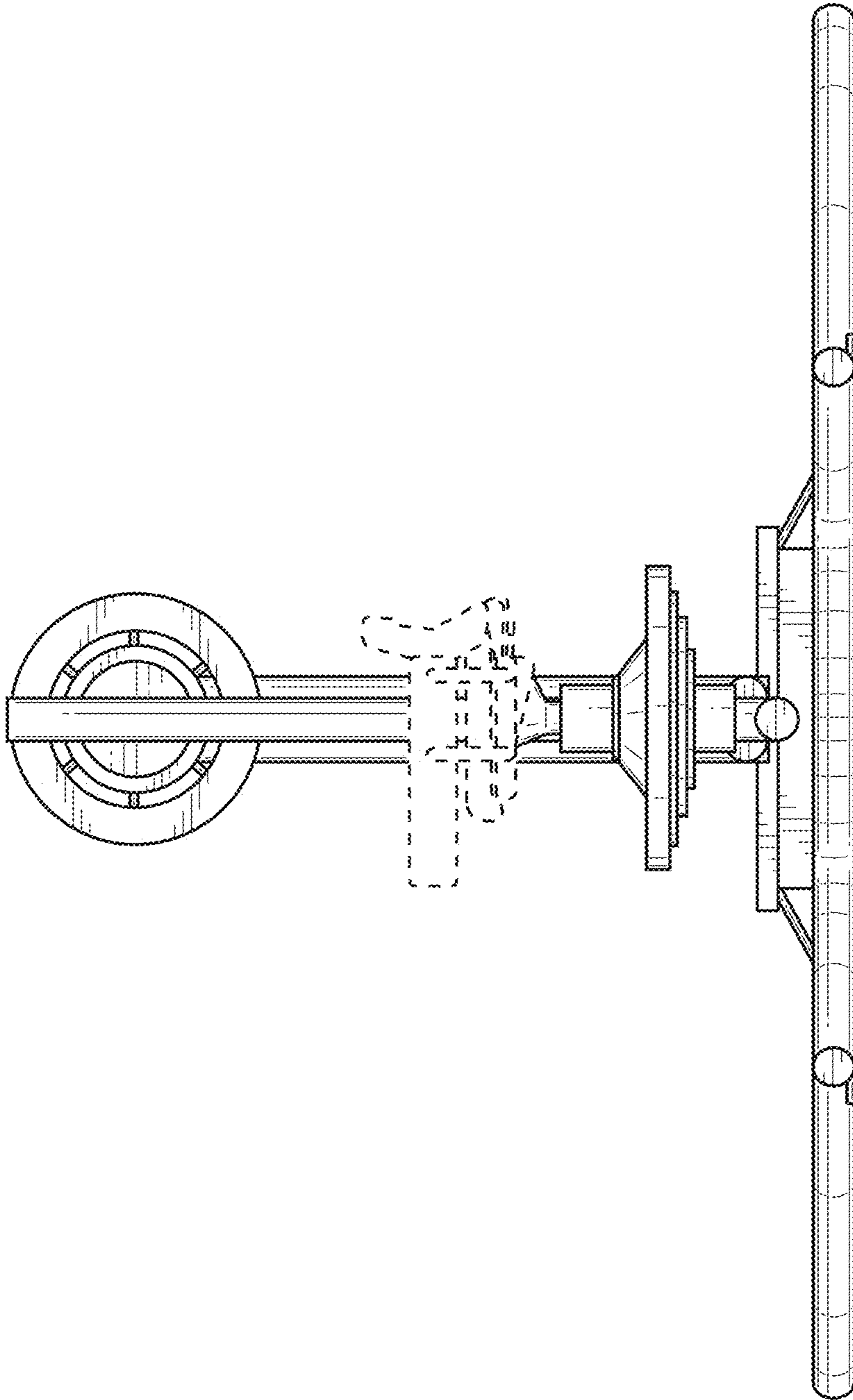


FIG. 6

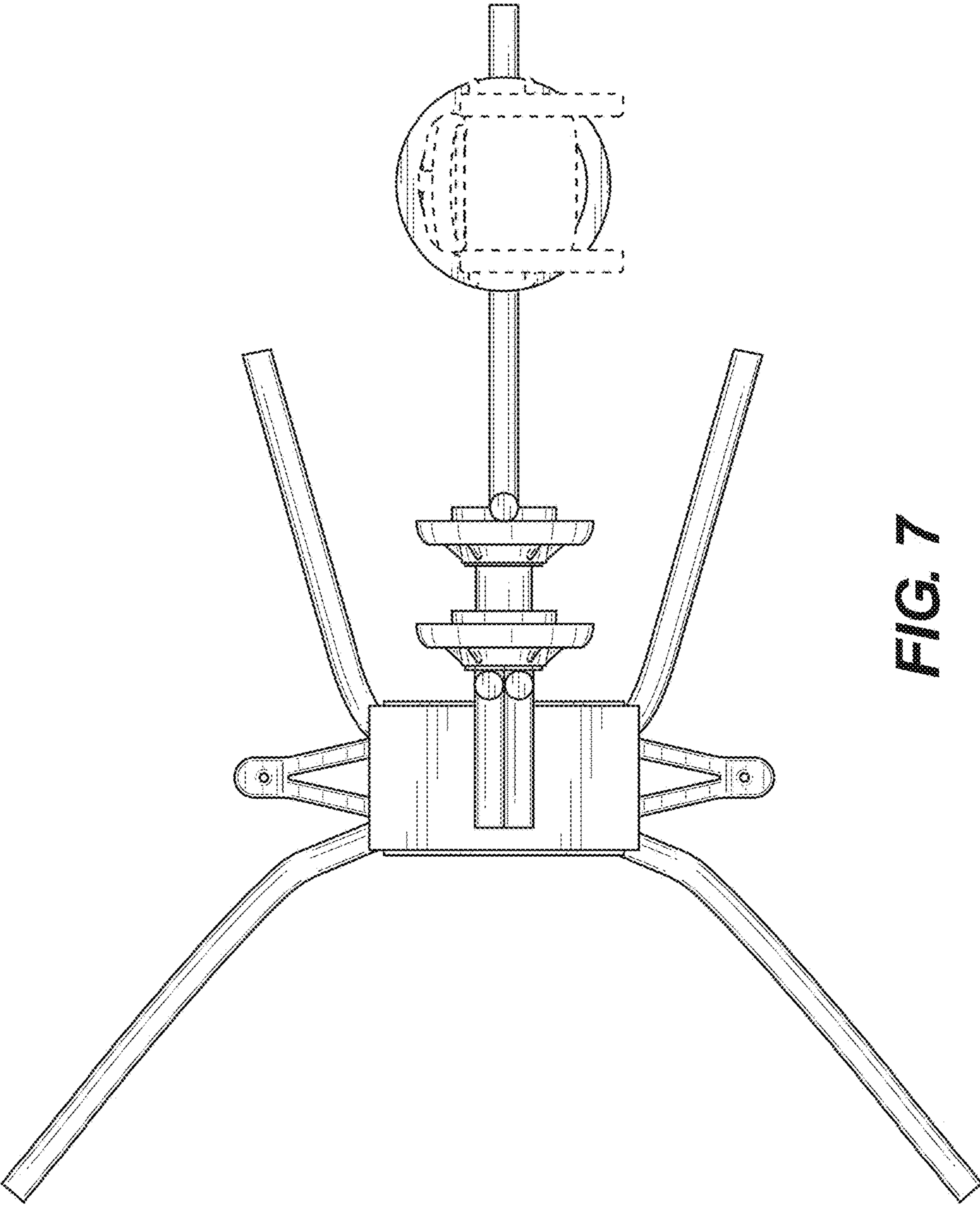


FIG. 7