



US00D850543S

(12) **United States Design Patent** (10) **Patent No.:** **US D850,543 S**
Lau (45) **Date of Patent:** **** Jun. 4, 2019**

(54) **PULL-UP BAR**
(71) Applicant: **Tak Piu Lau**, Hong Kong (CN)
(72) Inventor: **Tak Piu Lau**, Hong Kong (CN)
(**) Term: **15 Years**
(21) Appl. No.: **29/667,187**
(22) Filed: **Oct. 19, 2018**
(51) **LOC (11) Cl.** **21-02**
(52) **U.S. Cl.**
USPC **D21/686**
(58) **Field of Classification Search**
USPC D21/673, 679, 682, 694, 662, 684, 686,
D21/691; 482/139, 93, 98, 38, 39, 108,
482/40, 148, 904; D8/45, 316
CPC ... A63B 21/4035; A63B 1/00; A63B 21/4017;
A63B 23/1218; A63B 21/072; A63B
21/0724; A63B 23/12; A63B 23/1209
See application file for complete search history.

(56) **References Cited**
U.S. PATENT DOCUMENTS
4,949,956 A * 8/1990 Pobran A63B 1/00
482/23
D372,944 S * 8/1996 Clegg D21/686
D495,382 S * 8/2004 Ceppo D21/686
D504,164 S * 4/2005 Ceppo D21/686
D544,050 S * 6/2007 Webber D21/686
D615,138 S * 5/2010 Briscoe D21/662
D623,245 S * 9/2010 Evans D21/686
D623,707 S 9/2010 Ritchie
8,172,726 B1 5/2012 Leier
D686,287 S * 7/2013 Boatwright D21/686

D710,956 S * 8/2014 Hetrick A63B 23/1218
D21/686
D731,601 S * 6/2015 Bradley D21/686
9,079,085 B2 * 7/2015 McBride A63B 69/0048
D735,819 S * 8/2015 Louis D21/686
D755,909 S * 5/2016 James D21/686
D759,170 S * 6/2016 Louis D21/686
9,427,611 B1 * 8/2016 Balentine A63B 1/00
D769,991 S * 10/2016 Thomas D21/686
D818,058 S * 5/2018 Barton D21/679
D818,060 S * 5/2018 Barton D21/679
D818,061 S * 5/2018 Barton D21/679
D831,760 S * 10/2018 Safranka D21/686
2012/0115683 A1 5/2012 Ross
2015/0024907 A1 1/2015 Ross

* cited by examiner

Primary Examiner — Austin Murphy

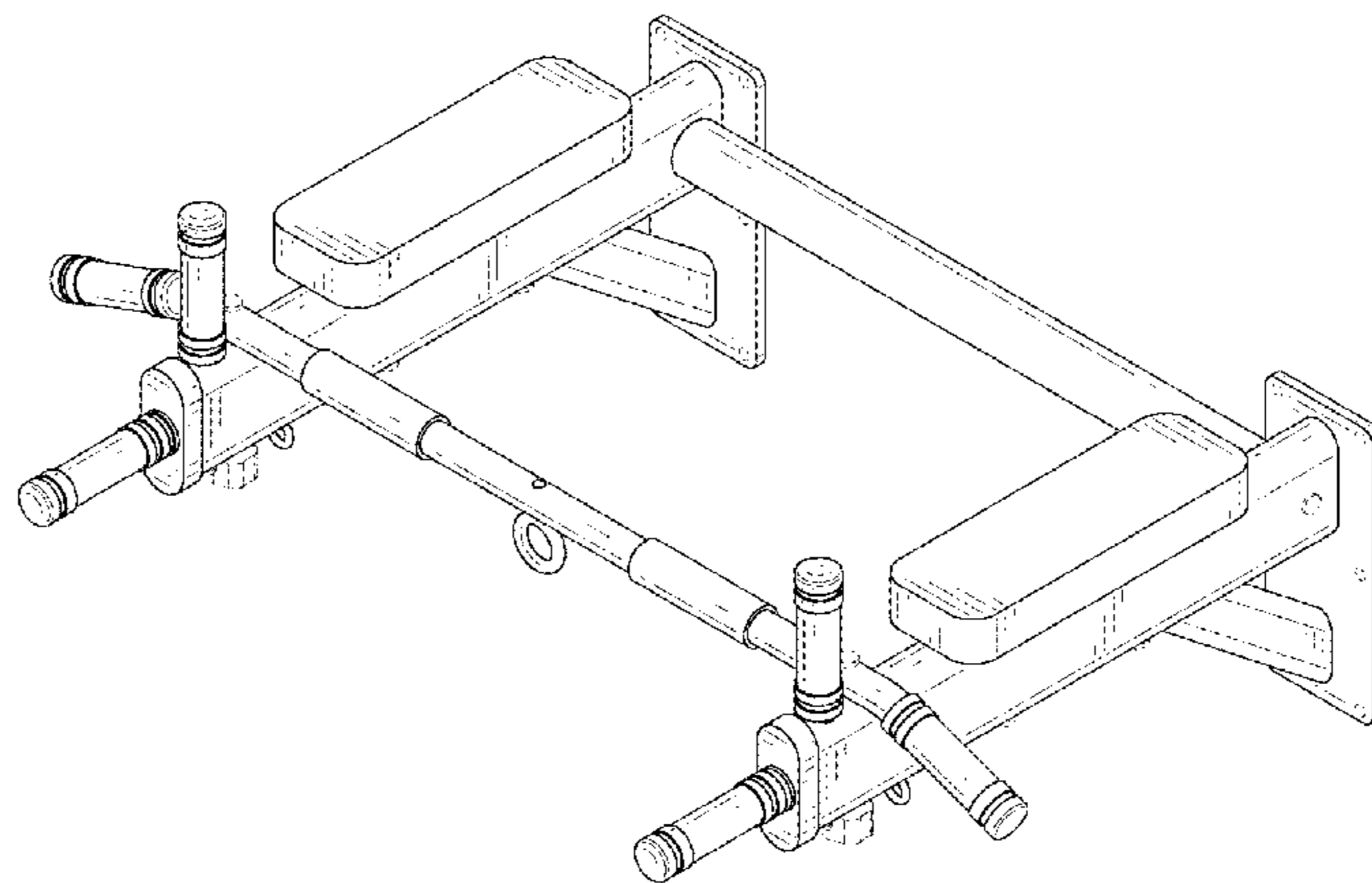
(57) **CLAIM**

The ornamental design for a pull-up bar, as shown and described.

DESCRIPTION

FIG. 1 is a first perspective view of a first embodiment of a pull-up bar;
FIG. 2 is a second perspective view thereof;
FIG. 3 is a front elevation view thereof;
FIG. 4 is a rear elevation view thereof;
FIG. 5 is a left side elevation view thereof;
FIG. 6 is a right side elevation view thereof;
FIG. 7 is a top plan the view thereof; and,
FIG. 8 is a bottom plan the view thereof.
The broken lines shown in the drawings are included for the purpose of illustrating portions of the article that form no part of the claimed design.

1 Claim, 8 Drawing Sheets



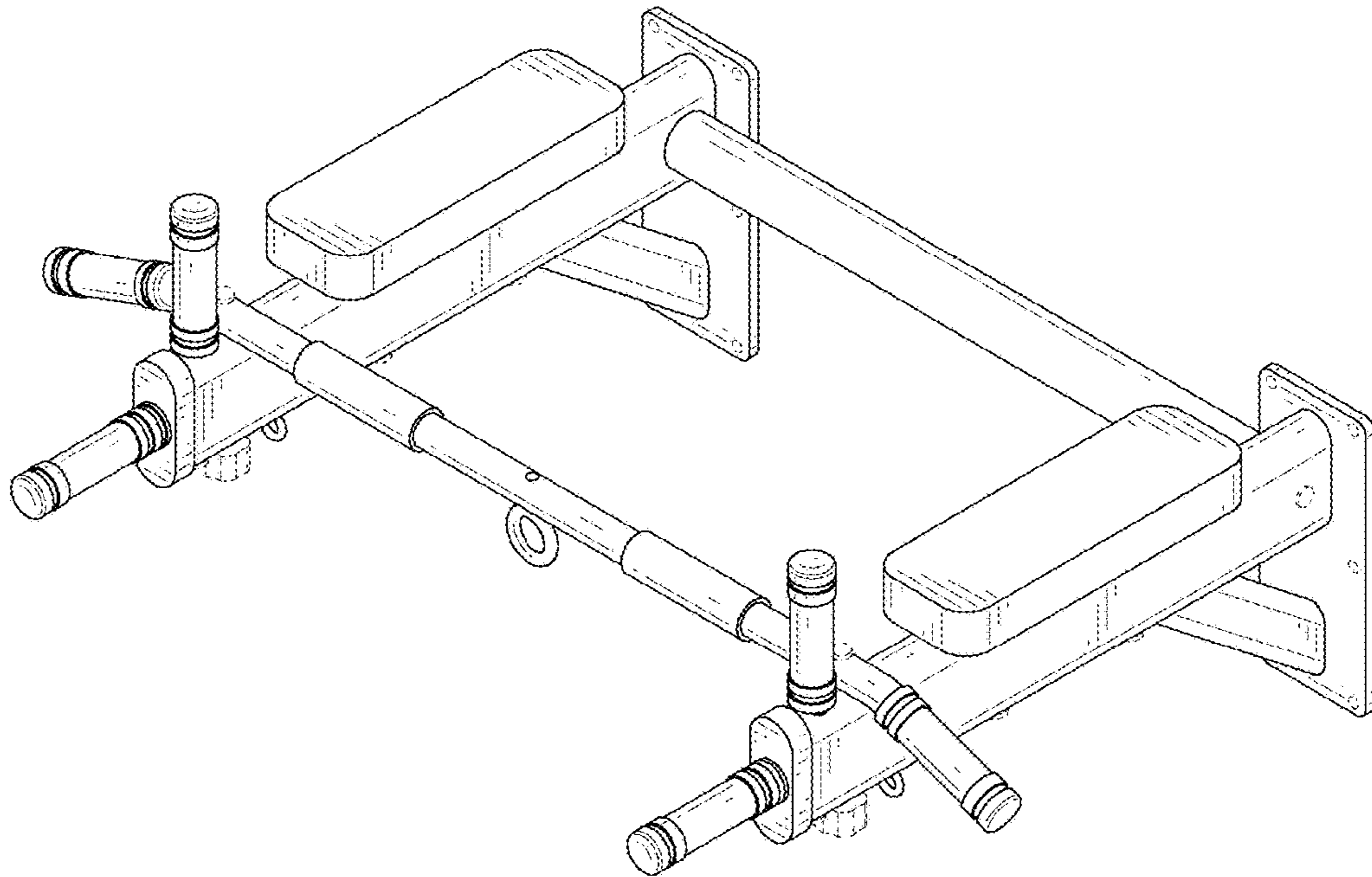


FIG. 1

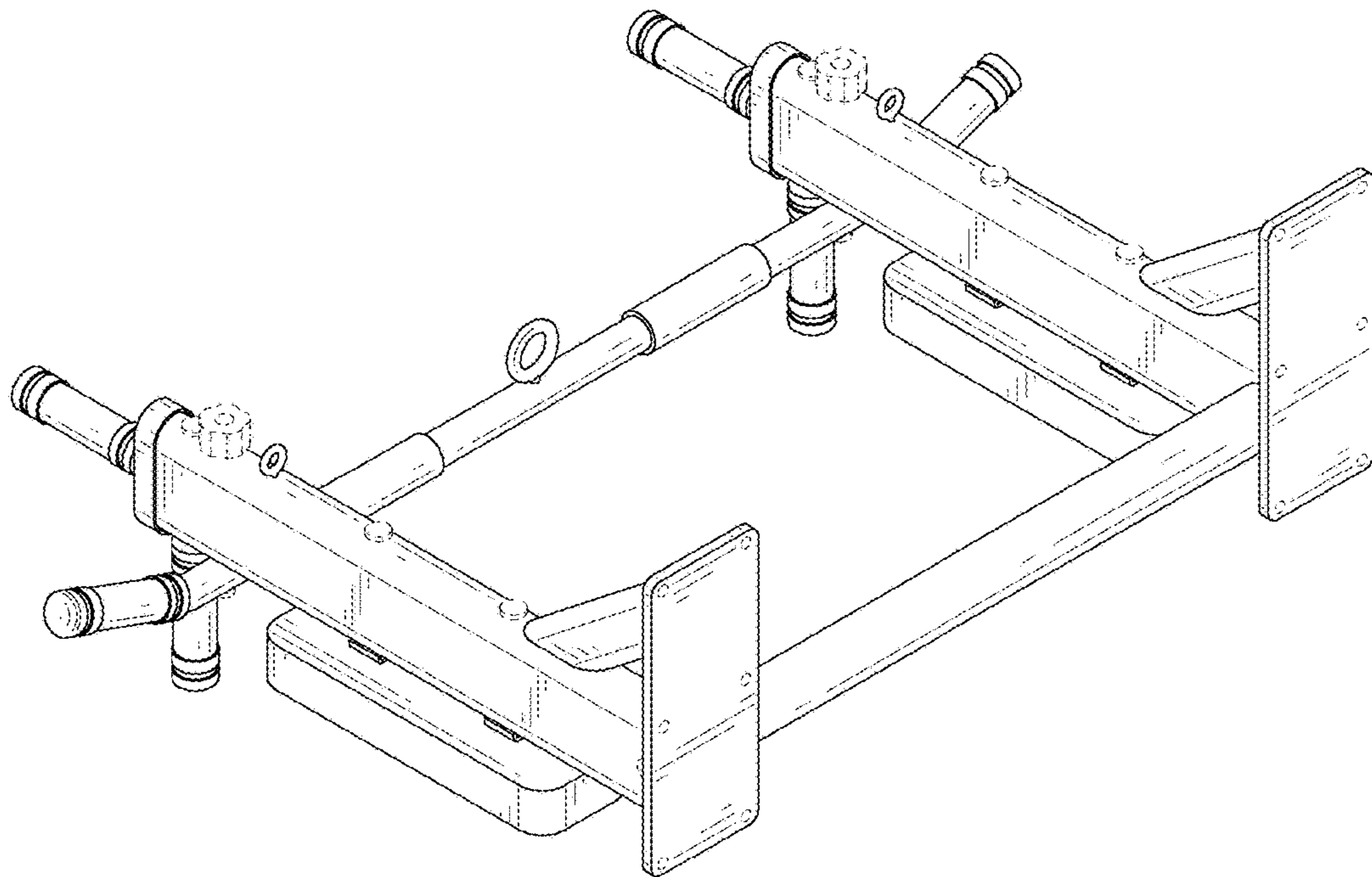


FIG. 2

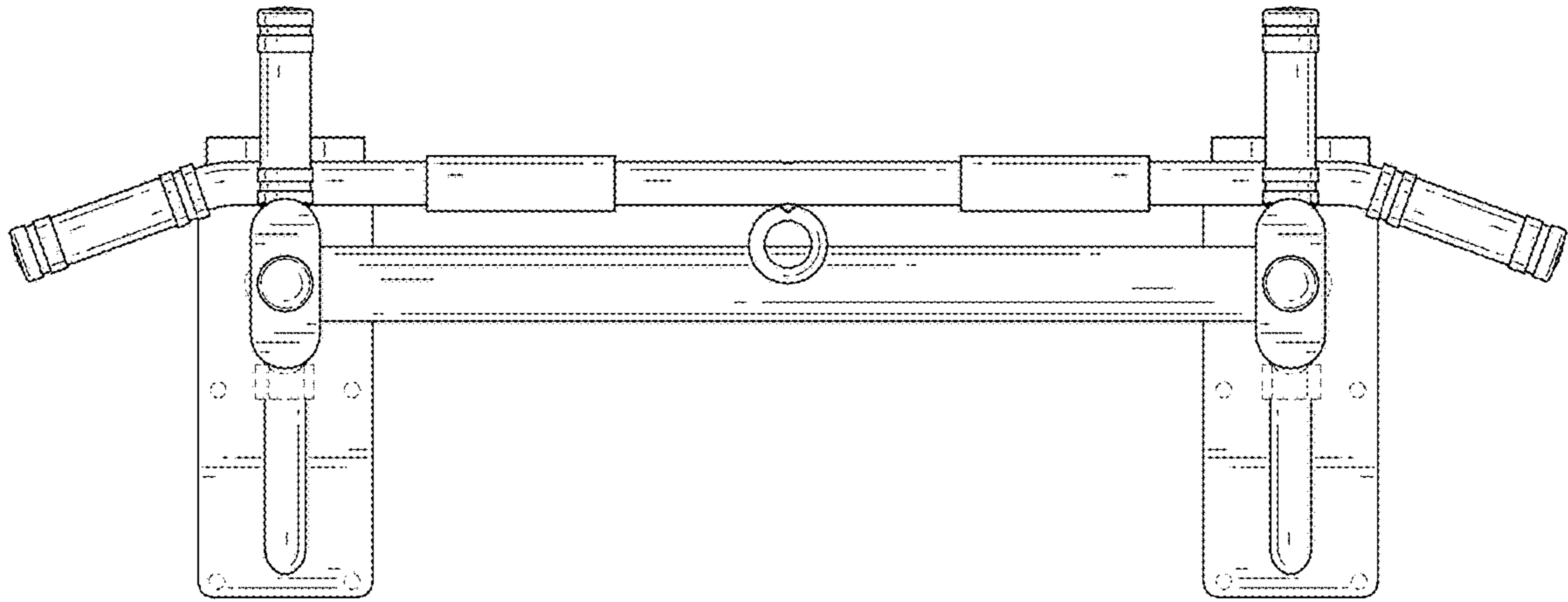


FIG. 3

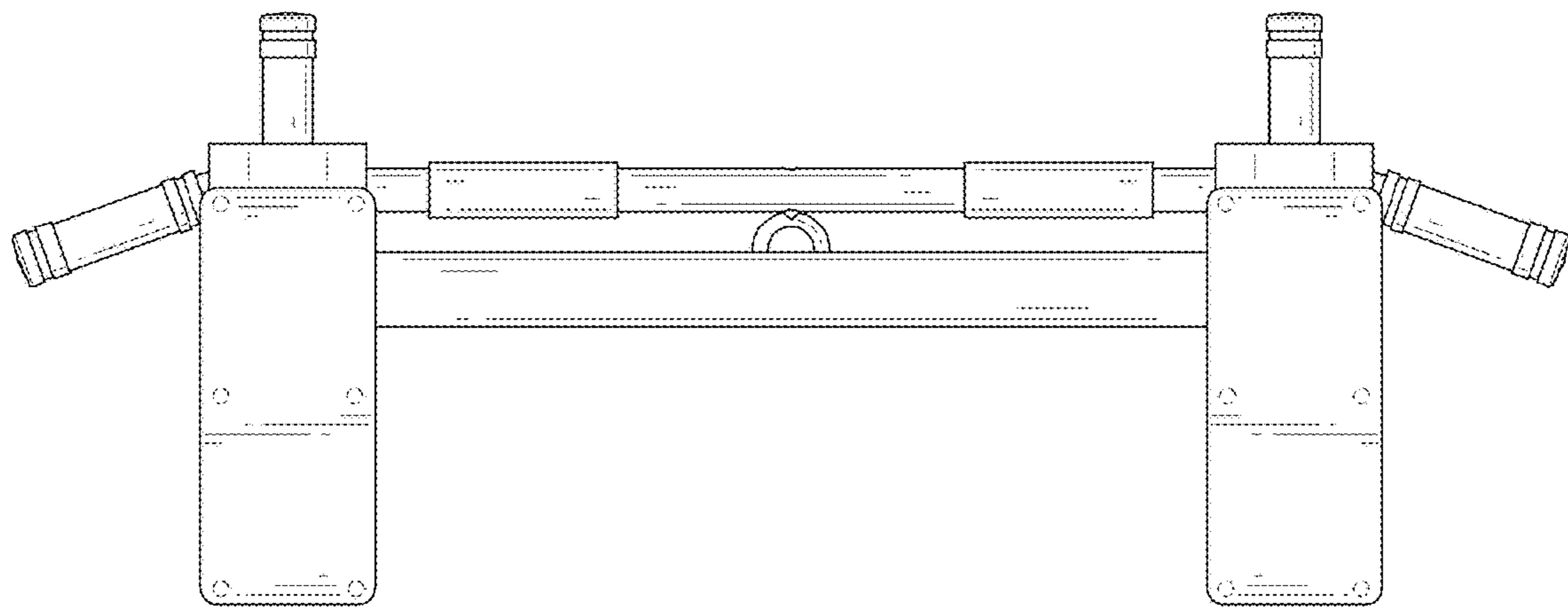


FIG. 4

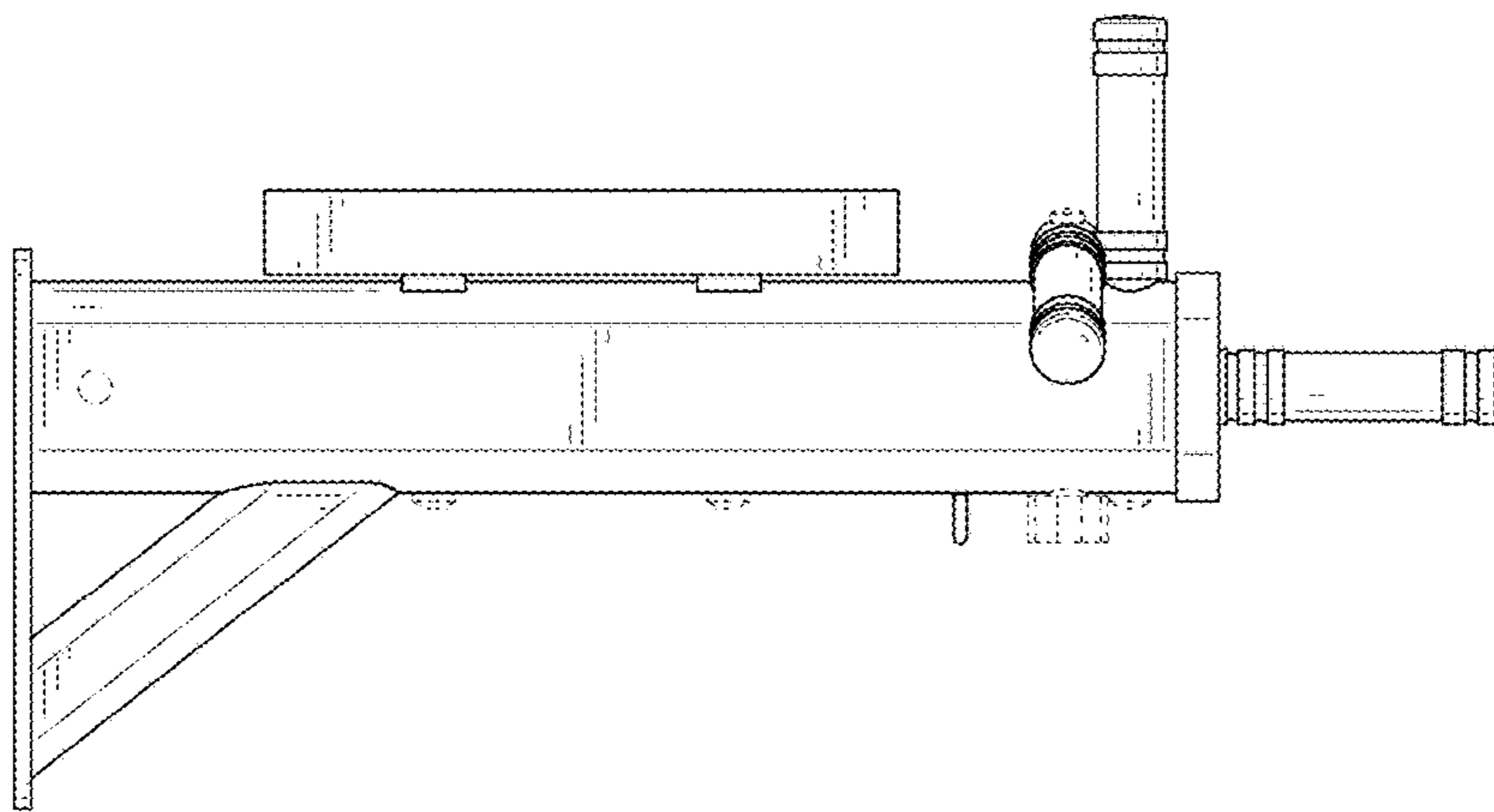


FIG. 5

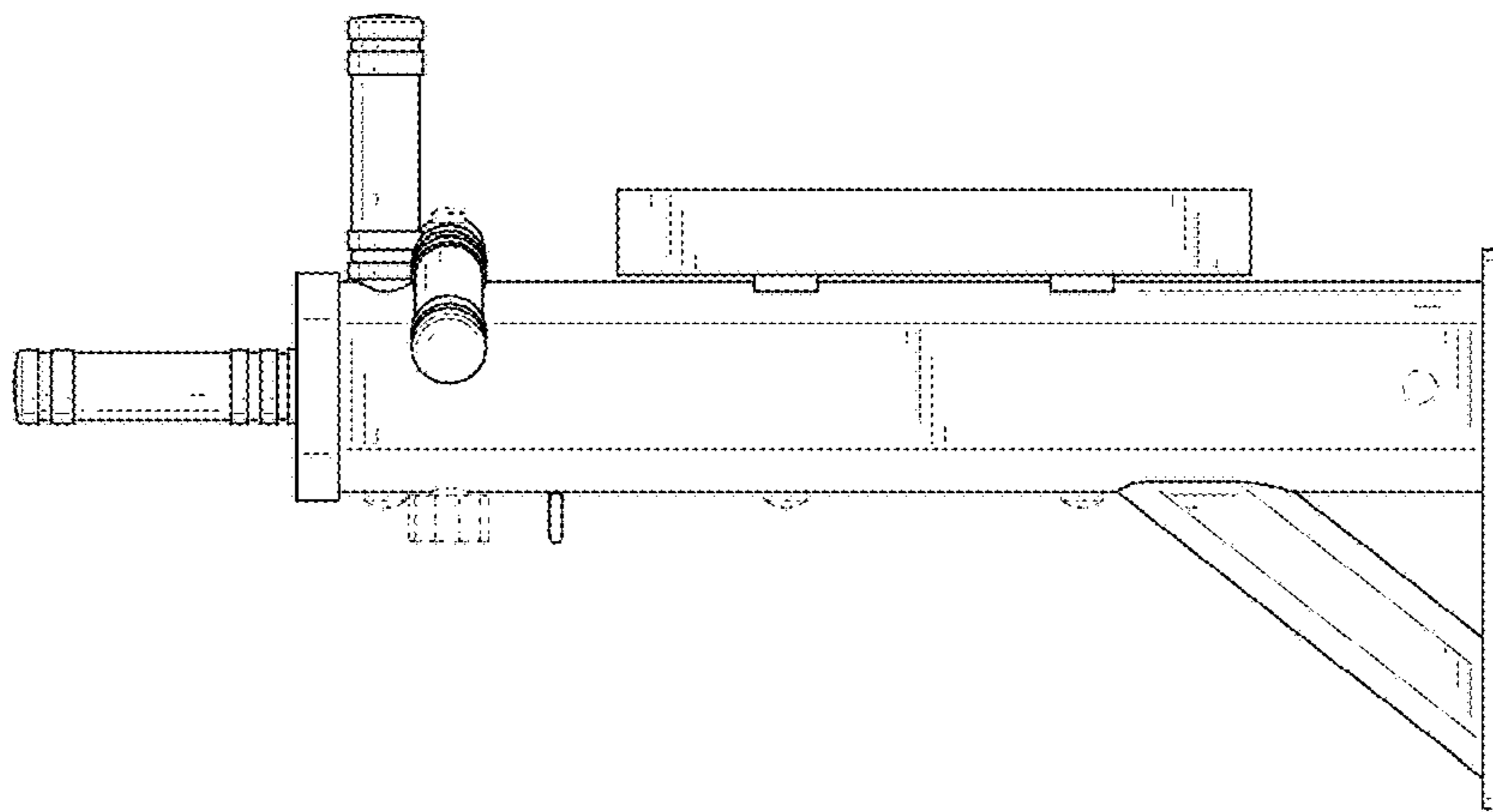


FIG. 6

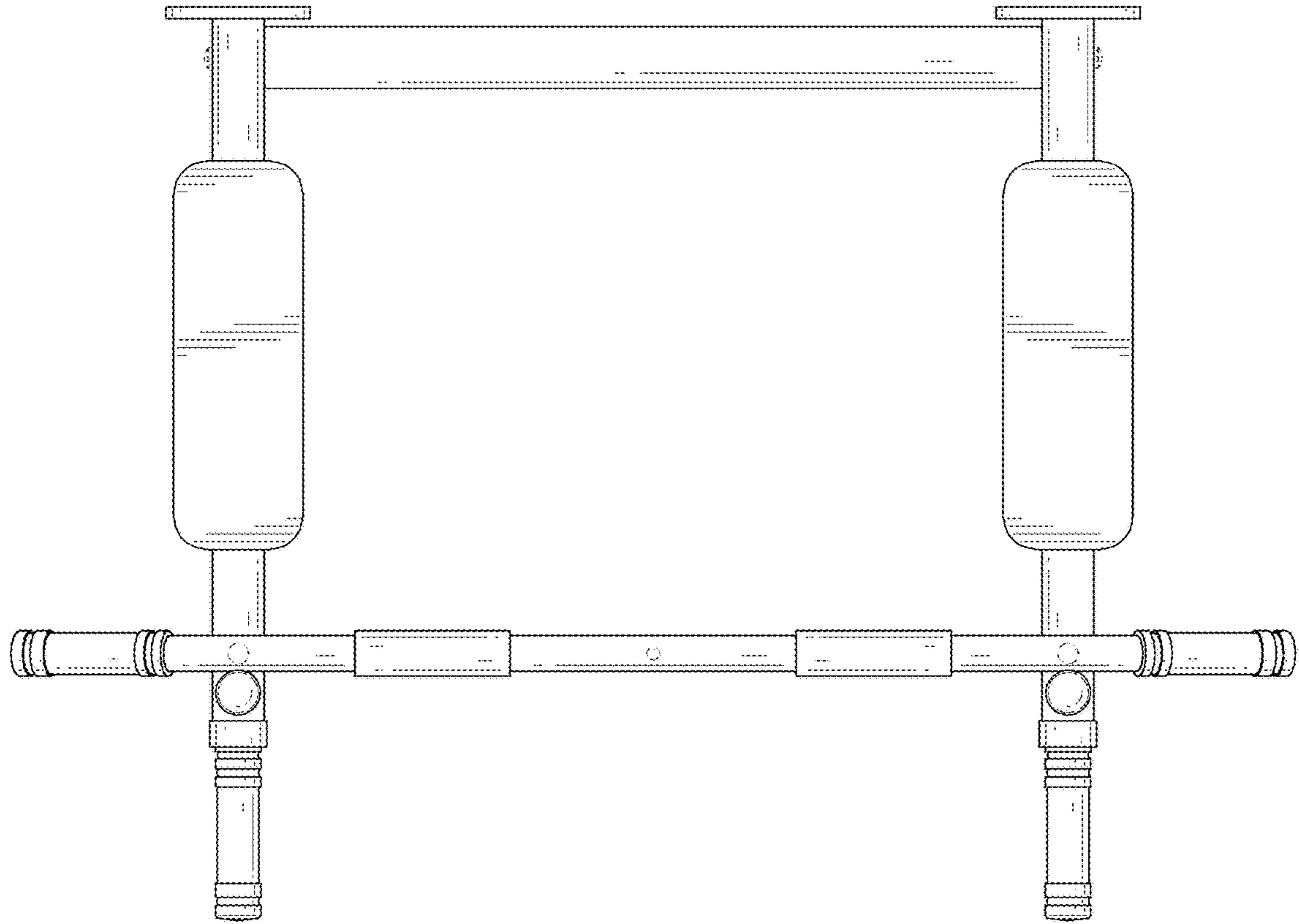


FIG. 7

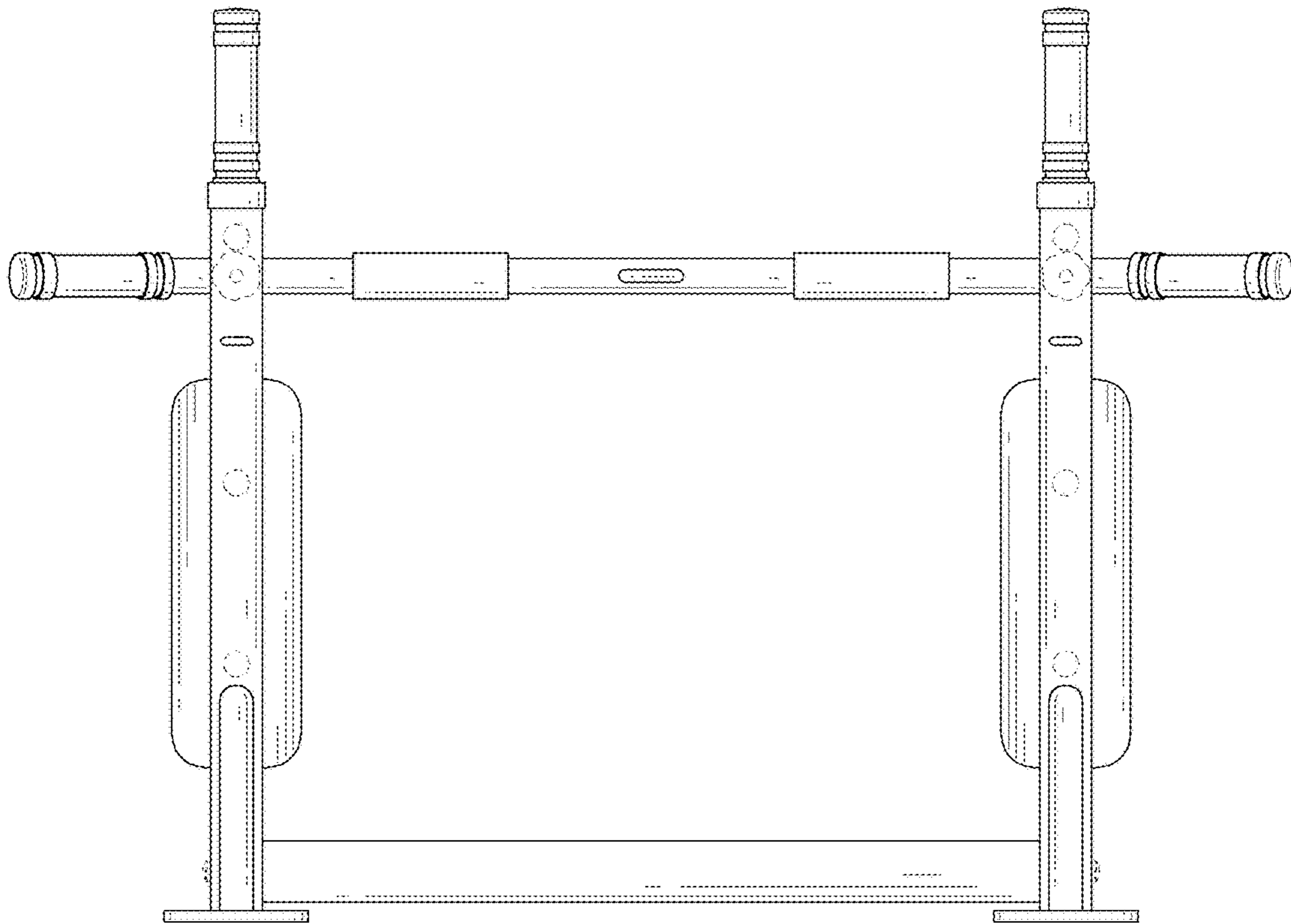


FIG. 8