



US00D850542S

(12) **United States Design Patent**  
**Liu**

(10) **Patent No.:** **US D850,542 S**  
(45) **Date of Patent:** **\*\* Jun. 4, 2019**

- (54) **FITNESS FRAME**
- (71) Applicant: **Ningbo Yuexiang Equipment Machine Co., Ltd., Ningbo, Zhejiang (CN)**
- (72) Inventor: **Jun Liu, Zhejiang (CN)**
- (73) Assignee: **Ningbo Yuexiang Equipment Machine Co., Ltd., Ningbo (CN)**
- (\*\*) Term: **15 Years**
- (21) Appl. No.: **29/625,213**
- (22) Filed: **Nov. 8, 2017**
- (30) **Foreign Application Priority Data**  
  - May 23, 2017 (CN) ..... 2017 3 0193815
- (51) **LOC (11) Cl.** ..... **21-02**
- (52) **U.S. Cl.**  
USPC ..... **D21/686**
- (58) **Field of Classification Search**  
  - USPC ..... 273/343, 398, 399, 400, 401, 402, 403, 273/404, 405, 406, 407, 408; 434/247, 434/248; 473/415, 416, 421, 422, 447, 473/476, 477, 478, 485, 494; D21/301, D21/302, 303, 304, 305, 698, 699, 701, D21/704, 706, 780, 781, 800; D25/62, D25/66, 68; D6/386, 672, 681.1
  - CPC ..... A63B 1/00; A63B 71/023; A63B 9/00
  - See application file for complete search history.

- (56) **References Cited**  
  - U.S. PATENT DOCUMENTS
  - D175,468 S \* 8/1955 Holmes ..... D21/800
  - D176,419 S \* 12/1955 Lowe ..... D21/800
  - 3,430,954 A \* 3/1969 Massey ..... A63B 1/00
  - 108/118
  - D251,987 S \* 5/1979 Bristow ..... D25/61

- D355,005 S \* 1/1995 Voothanel, Jr. .... D21/691
- 5,524,881 A \* 6/1996 Edward ..... A63B 63/08
- 273/400
- 5,655,774 A \* 8/1997 Cox ..... A63B 63/004
- 273/400
- 5,839,980 A \* 11/1998 Kendy ..... A63B 63/004
- 473/478
- 5,863,265 A \* 1/1999 Acton ..... A63B 63/00
- 473/470
- 5,902,195 A \* 5/1999 Pavonetti ..... A63B 63/004
- 273/400
- 6,179,748 B1 \* 1/2001 Barr ..... A63B 1/00
- 482/38
- 6,422,982 B1 \* 7/2002 Retel ..... A61H 1/0218
- 482/143
- D480,773 S \* 10/2003 Suchanek ..... D21/686
- D487,124 S \* 2/2004 Toniolo ..... D21/691
- 6,857,460 B1 \* 2/2005 Mowry ..... F41H 5/06
- 160/351
- 7,134,661 B2 \* 11/2006 Trecartin ..... A63B 67/00
- 273/343

(Continued)

*Primary Examiner* — Cynthia Ramirez  
*Assistant Examiner* — Michael A Maharajh

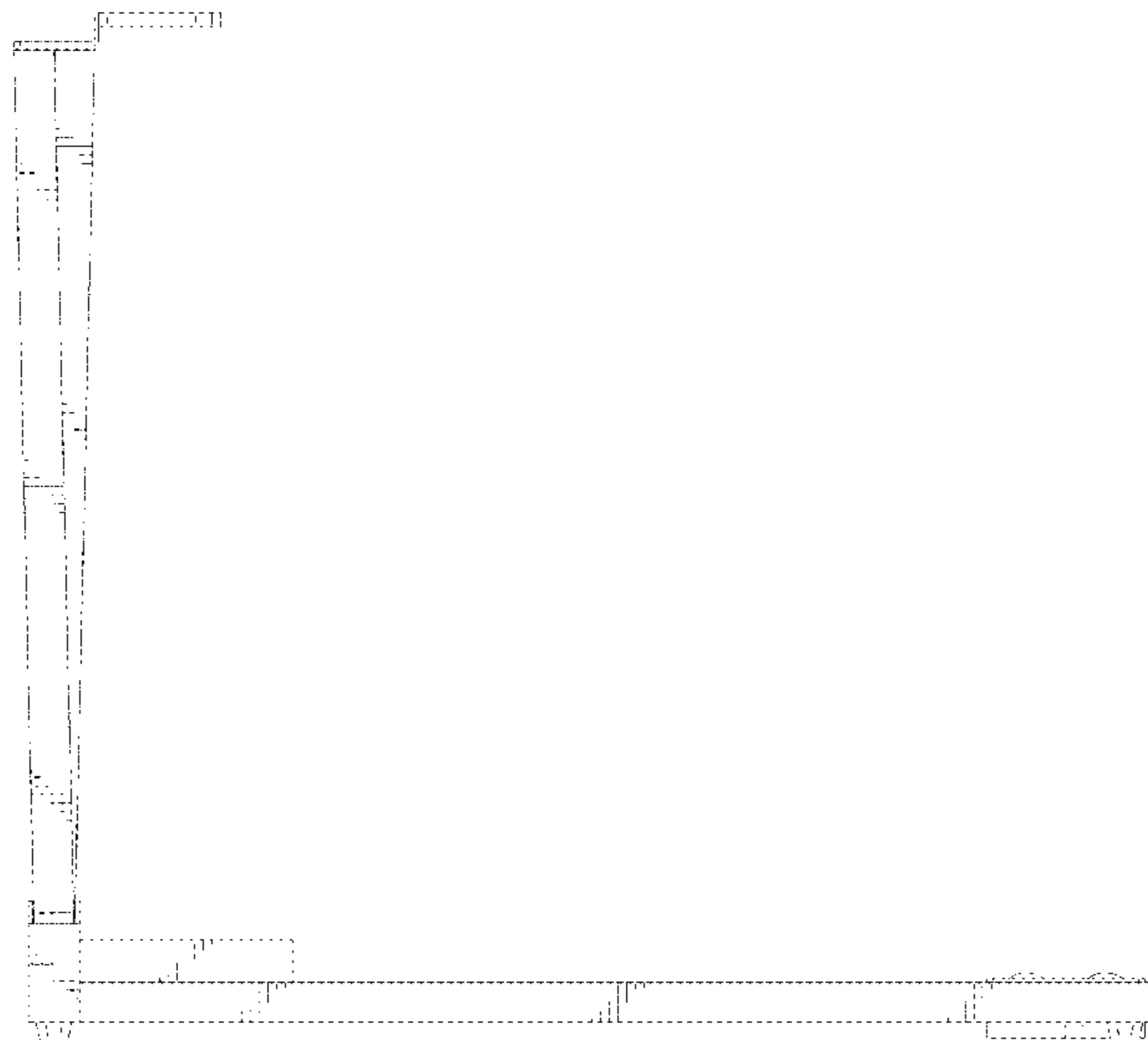
(57) **CLAIM**

The ornamental design for a fitness frame, as shown and described.

**DESCRIPTION**

FIG. 1 is a front elevational view of a fitness frame showing my new design;  
FIG. 2 is a rear elevational view thereof;  
FIG. 3 is a left side view thereof;  
FIG. 4 is a right side view thereof;  
FIG. 5 is a top plan view thereof;  
FIG. 6 is a bottom plan view thereof;  
FIG. 7 is a first perspective view thereof;  
FIG. 8 is a second perspective view thereof; and,  
FIG. 9 is a third perspective view thereof.

**1 Claim, 9 Drawing Sheets**



(56)

**References Cited**

## U.S. PATENT DOCUMENTS

7,198,273 B1 \* 4/2007 Advocate ..... A63B 43/007  
273/343  
D580,998 S \* 11/2008 Lin ..... D21/686  
7,476,187 B2 \* 1/2009 Corte ..... A63B 1/00  
482/141  
D593,169 S \* 5/2009 Storch ..... D21/686  
7,611,148 B2 \* 11/2009 Caswell ..... A63B 63/004  
273/400  
D607,580 S \* 1/2010 Charette ..... D25/62  
8,128,093 B1 \* 3/2012 Gerrish ..... A63B 67/06  
273/343  
D701,581 S \* 3/2014 Heitzman ..... D21/686  
D713,055 S \* 9/2014 Schmidt ..... D25/68  
8,910,943 B2 \* 12/2014 Lee ..... F41J 1/10  
273/392  
D731,601 S \* 6/2015 Bradley ..... D21/686  
D745,939 S \* 12/2015 Kaye ..... D21/686  
D753,246 S \* 4/2016 Kaye ..... D21/686  
D755,909 S \* 5/2016 James ..... D21/686  
D779,241 S \* 2/2017 Terada ..... D6/315  
D786,380 S \* 5/2017 Chang ..... D21/800  
D788,235 S \* 5/2017 Lantz ..... D21/699  
9,662,537 B1 \* 5/2017 Graves ..... A63B 23/1218  
D806,188 S \* 12/2017 Petek ..... D21/686  
2004/0127309 A1 \* 7/2004 Huang ..... A63B 63/004  
473/476  
2008/0224408 A1 \* 9/2008 Eisenbarth ..... A63B 63/00  
273/343

\* cited by examiner

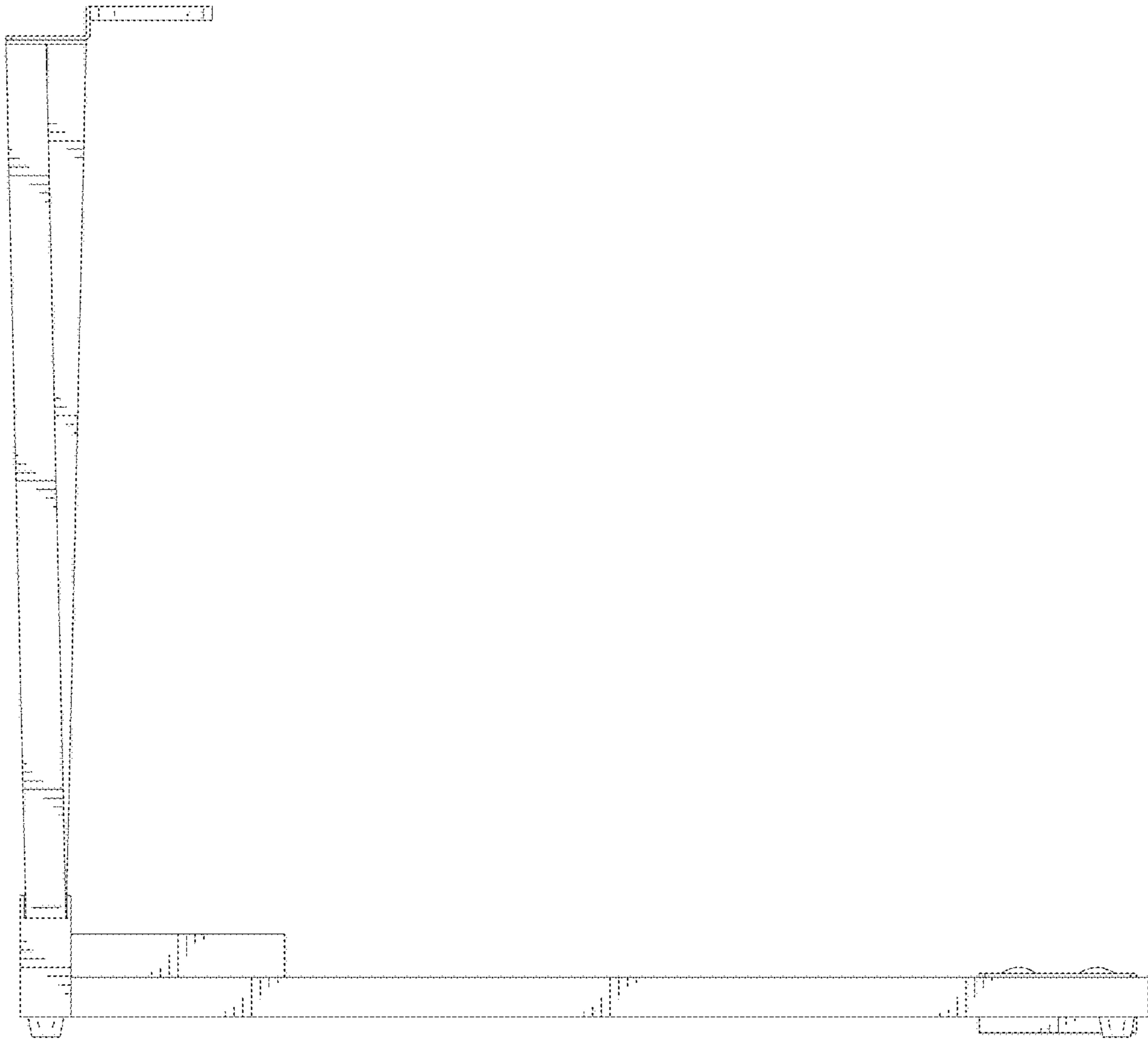


FIG. 1

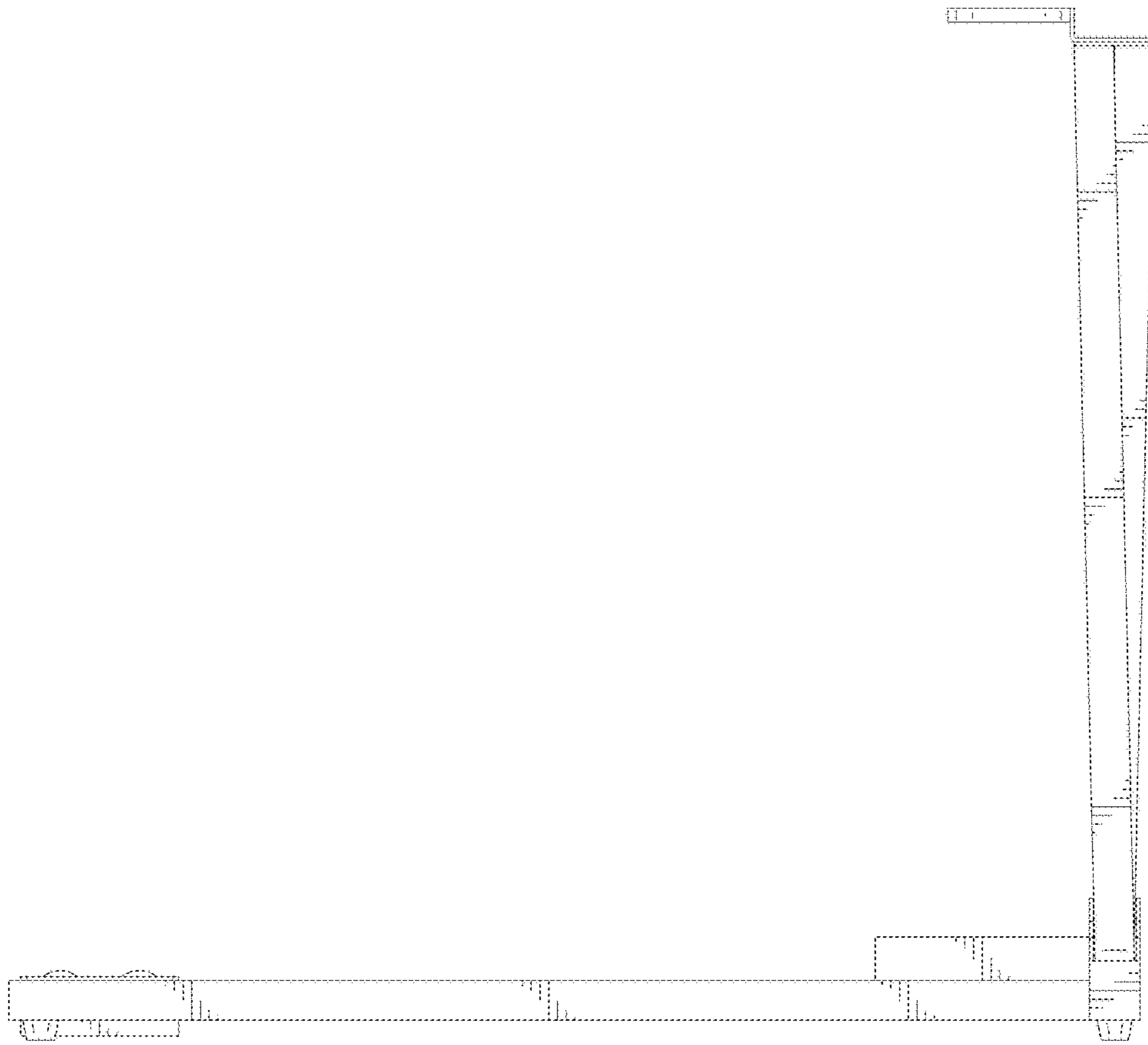


FIG.2

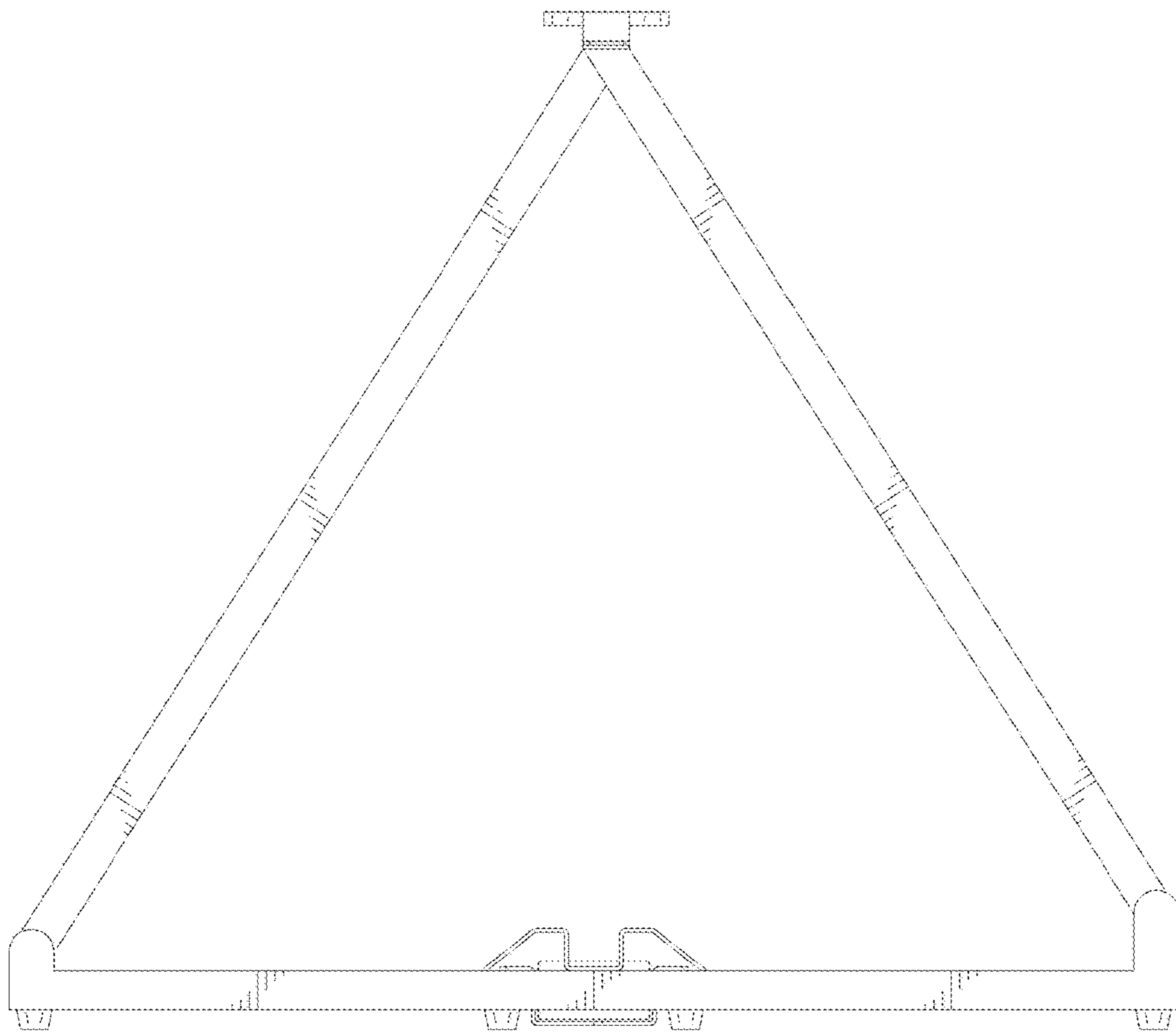


FIG.3

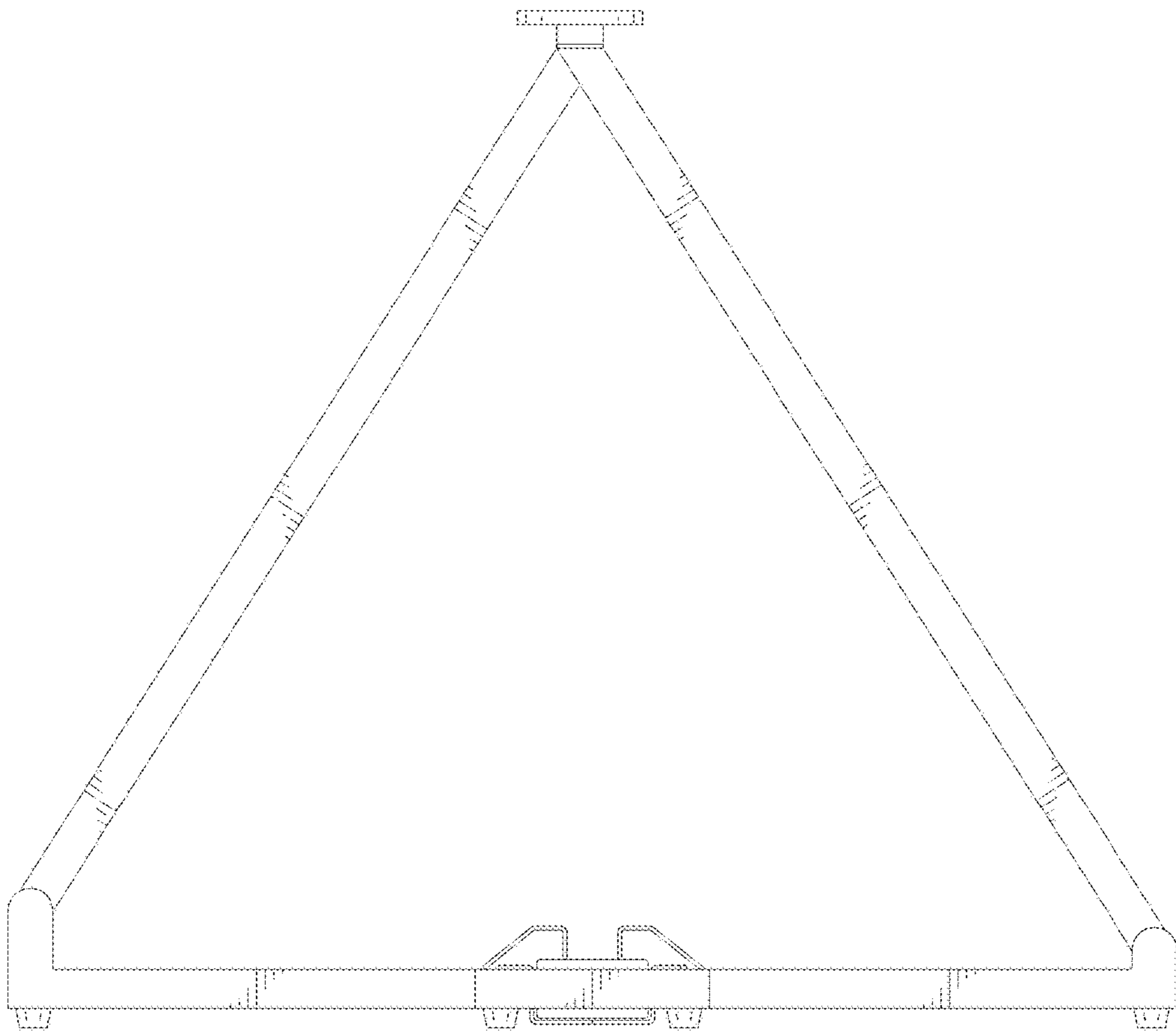


FIG.4

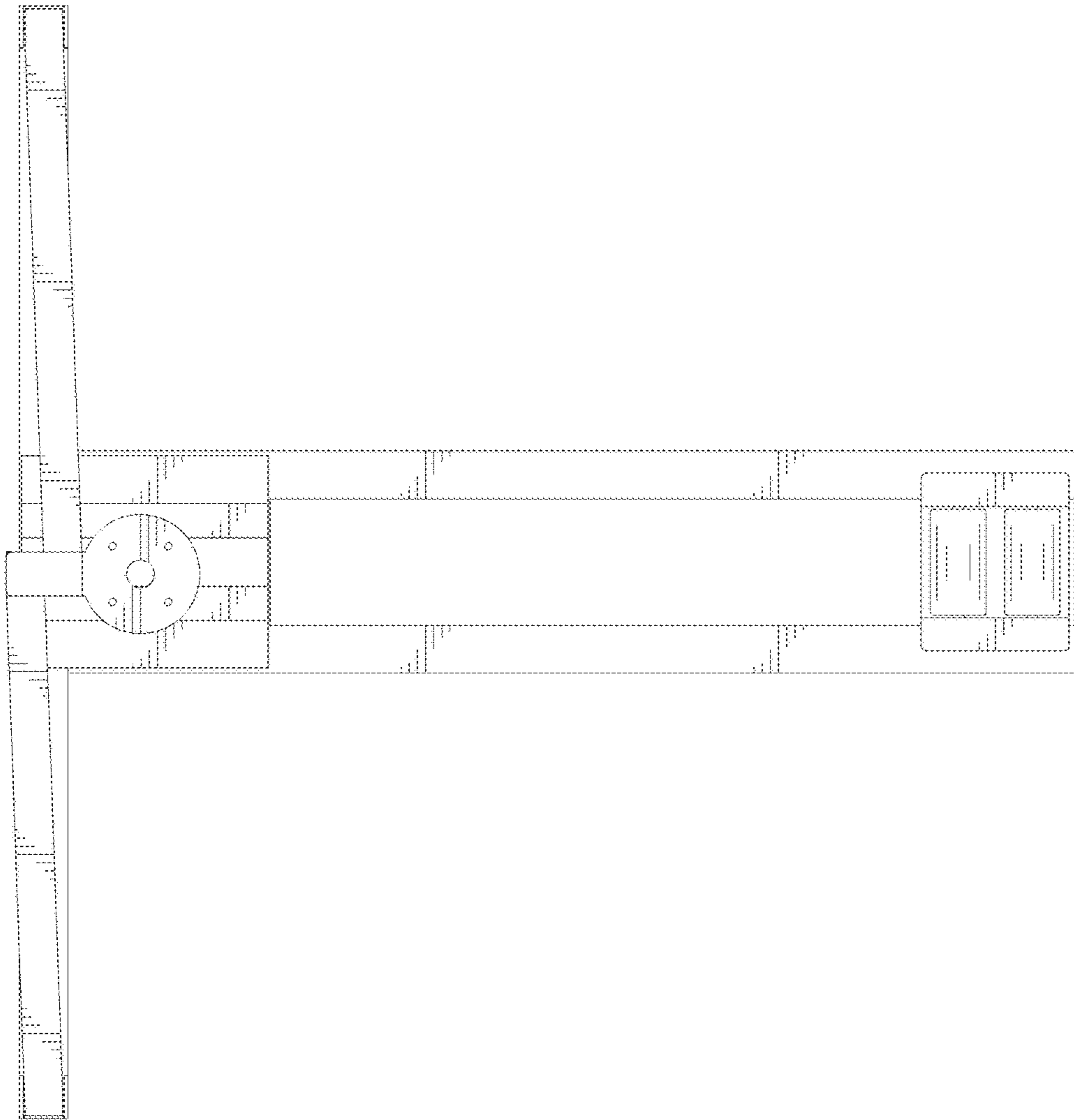


FIG.5

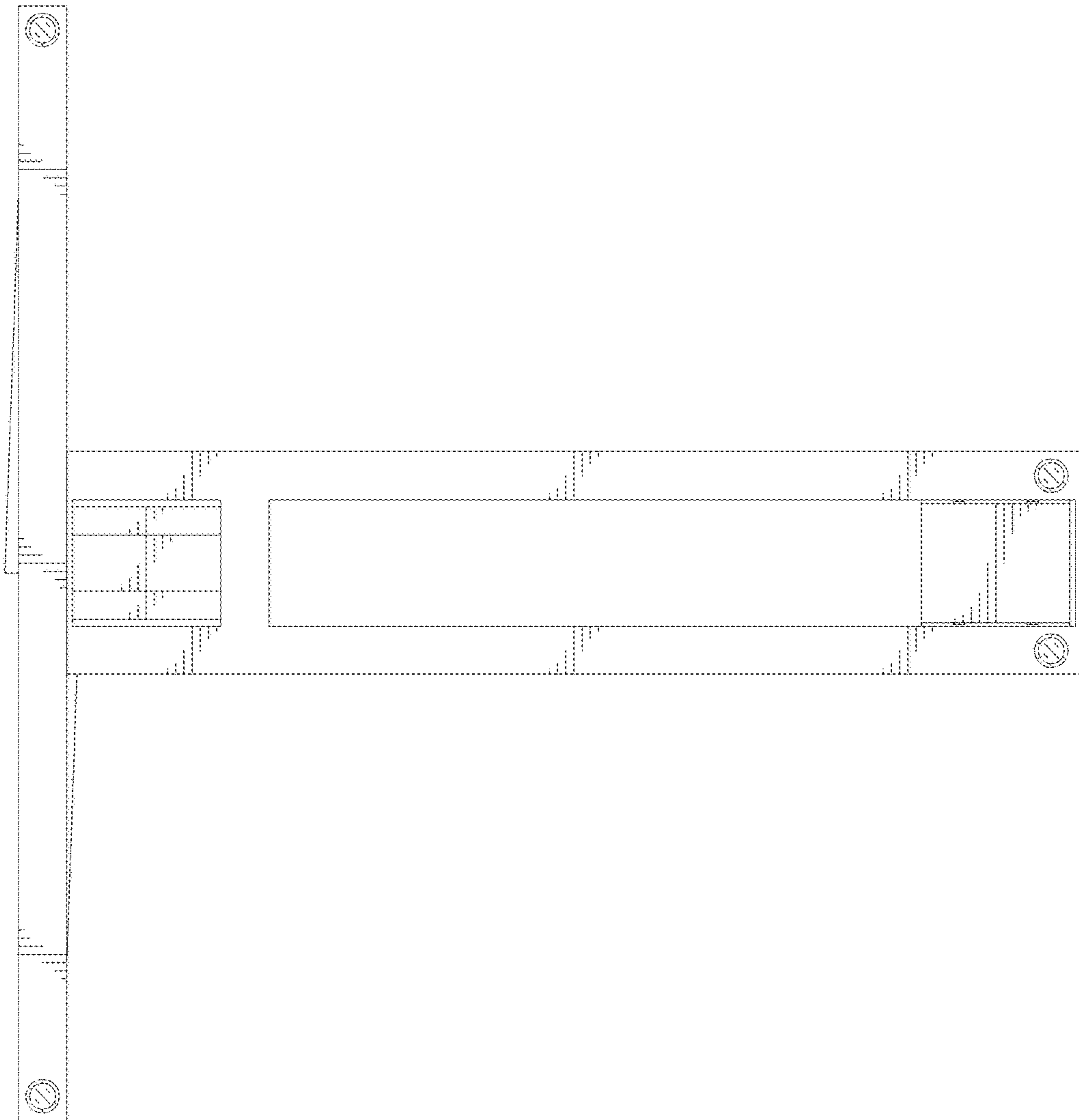


FIG.6



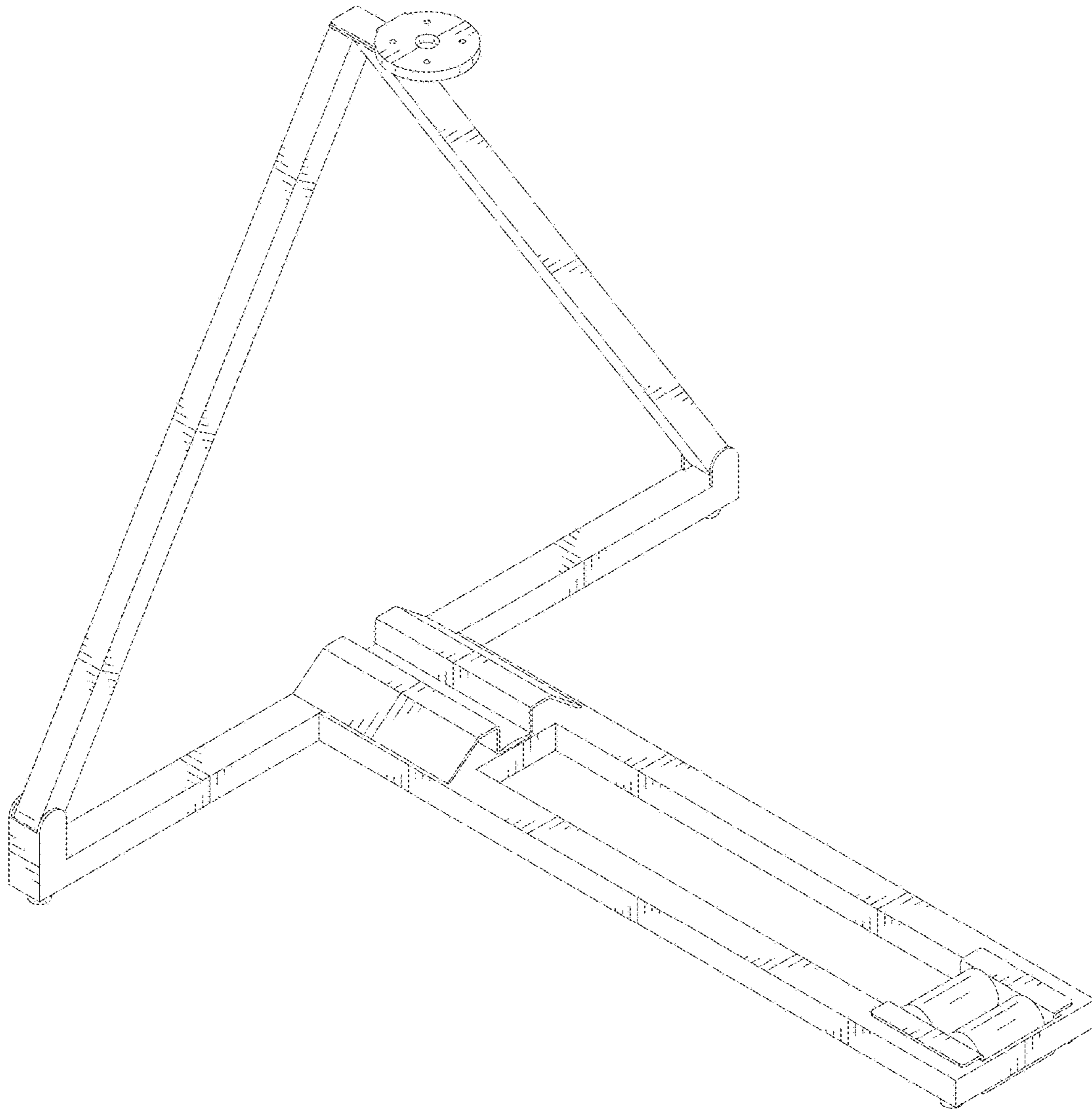


FIG. 7

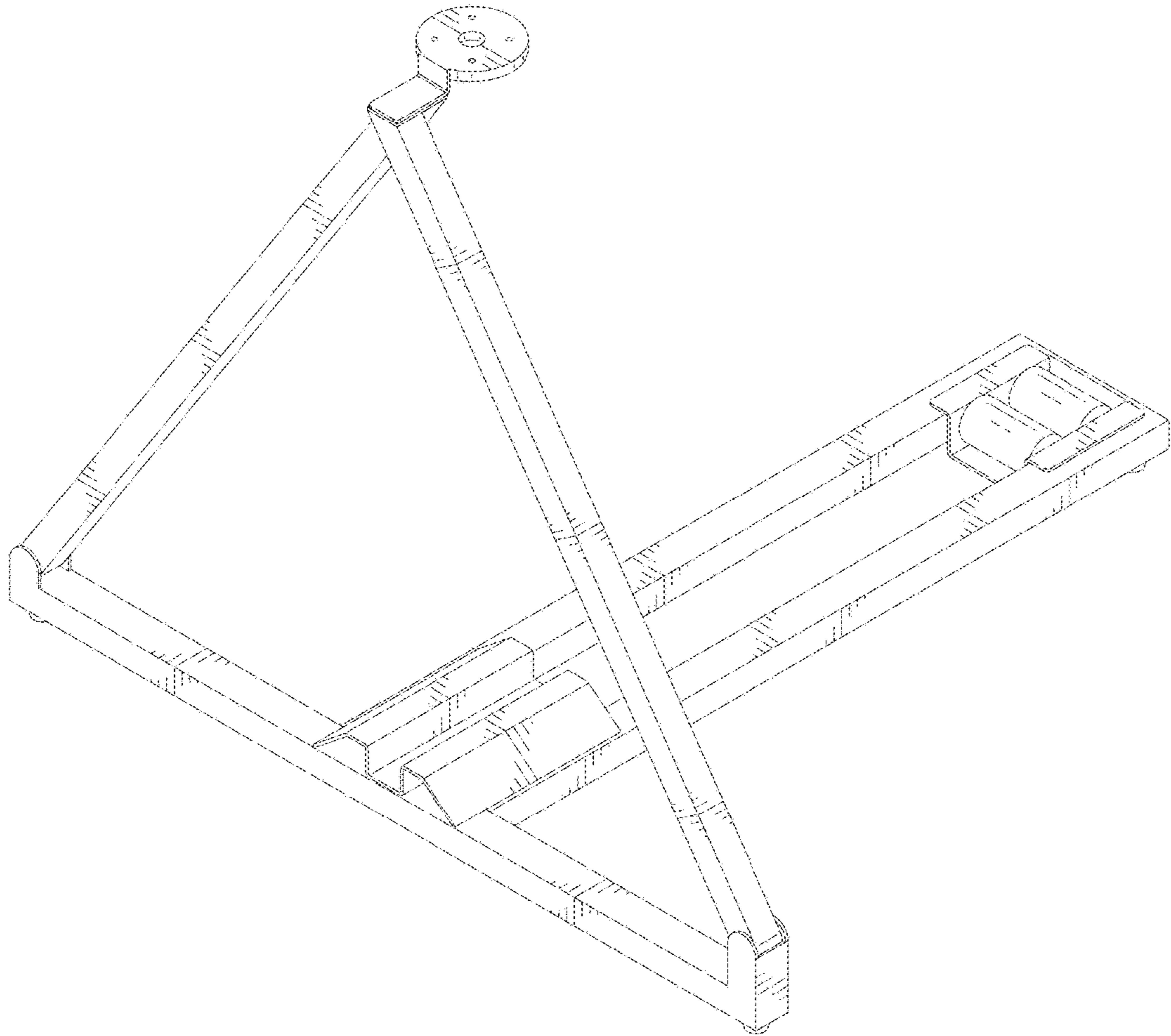


FIG.8

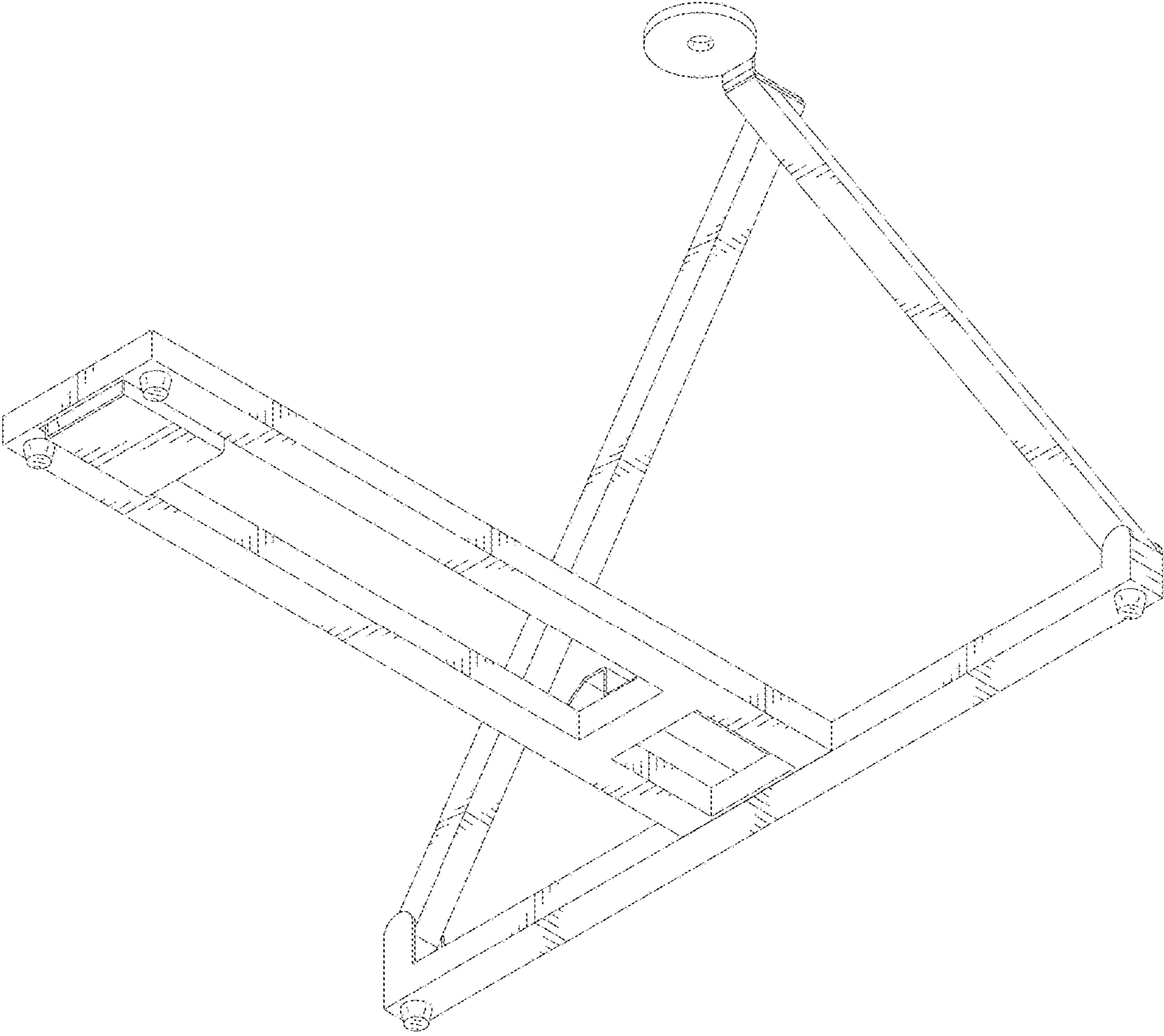


FIG.9