



US00D850541S

(12) **United States Design Patent**
Hu

(10) **Patent No.:** **US D850,541 S**
(45) **Date of Patent:** **** Jun. 4, 2019**

(54) **WALKER WITH ELECTRONIC DEVICE**
(71) Applicant: **Jiangyong Hu**, Zhejiang (CN)
(72) Inventor: **Jiangyong Hu**, Zhejiang (CN)
(**) Term: **15 Years**
(21) Appl. No.: **29/608,939**
(22) Filed: **Jun. 27, 2017**
(51) **LOC (11) Cl.** **21-02**
(52) **U.S. Cl.**
USPC **D21/668**
(58) **Field of Classification Search**
USPC 482/5, 38, 41, 51, 52, 54, 57, 66, 68, 70,
482/72, 79, 80, 92, 99, 121, 130, 133,
482/138; 601/23; D21/23, 662, 663,
D21/665-671, 673, 676, 685, 686, 687,
D21/690, 691, 694, 695, 696, 697, 698,
D21/797
CPC A63B 2022/0092; A63B 22/0012; A63B
23/03541; A63B 69/0022; A63B 69/18
See application file for complete search history.

5,624,354 A * 4/1997 Chen A63B 22/001
434/255
5,655,998 A * 8/1997 Yu A63B 22/0007
482/51
D392,350 S * 3/1998 Huang D21/668
5,733,227 A * 3/1998 Lee A63B 22/001
482/51
D393,296 S * 4/1998 Lee D21/668
D395,933 S * 7/1998 Lin D21/662
5,803,872 A * 9/1998 Chang A63B 22/001
482/51
5,820,524 A * 10/1998 Chen A63B 22/0664
482/51
D403,033 S * 12/1998 Husted D21/668
5,971,892 A * 10/1999 Lee A63B 22/001
482/51
5,997,445 A * 12/1999 Maresh A63B 22/001
482/51
6,007,462 A * 12/1999 Chen A63B 22/001
482/51

(Continued)

Primary Examiner — Cynthia Ramirez
Assistant Examiner — Michael A Maharajh
(74) *Attorney, Agent, or Firm* — Muncy, Geissler, Olds &
Lowe, P.C.

(56) **References Cited**

U.S. PATENT DOCUMENTS

D321,229 S * 10/1991 Dalton D21/670
D321,388 S * 11/1991 Dalebout D21/670
5,129,872 A * 7/1992 Dalton A63B 21/026
482/127
5,290,211 A * 3/1994 Stearns A63B 21/00178
482/51
D348,496 S * 7/1994 Lertyaovarit D21/670
5,577,985 A * 11/1996 Miller A63B 21/00178
482/51
5,584,780 A * 12/1996 Lin A63B 22/001
482/51
5,584,781 A * 12/1996 Chen A63B 22/001
482/51
5,611,756 A * 3/1997 Miller A63B 21/00178
482/51

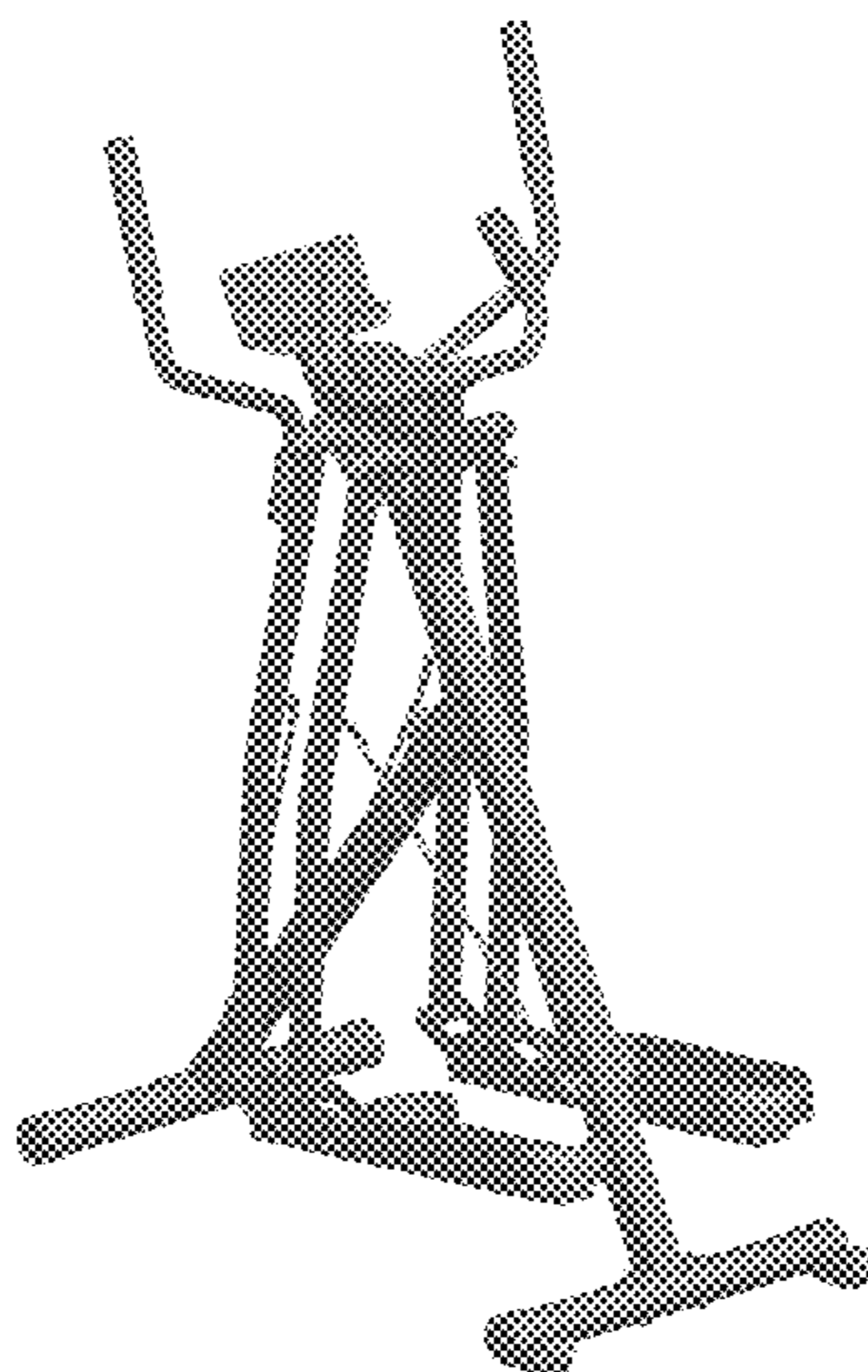
(57) **CLAIM**

The ornamental design for a walker with electronic device,
as shown and described.

DESCRIPTION

FIG. 1 is a perspective view of a walker with electronic device, showing my new design;
FIG. 2 is a front elevational view thereof;
FIG. 3 is a rear elevational view thereof;
FIG. 4 is a left side view thereof;
FIG. 5 is a right side view thereof;
FIG. 6 is a top plan view thereof; and,
FIG. 7 is a bottom plan view thereof.

1 Claim, 7 Drawing Sheets



(56)

References Cited

U.S. PATENT DOCUMENTS

6,024,676 A *	2/2000	Eschenbach	A63B 22/001	482/51	7,556,591 B2 *	7/2009	Chuang	A63B 22/001	482/51
6,063,009 A *	5/2000	Stearns	A63B 21/15	482/51	7,611,446 B2 *	11/2009	Chuang	A63B 22/0015	482/52
6,102,833 A *	8/2000	Chen	A63B 22/001	482/51	7,645,215 B2 *	1/2010	Gordon	A63B 21/155	482/51
6,277,054 B1 *	8/2001	Kuo	A63B 22/001	482/51	7,670,268 B1 *	3/2010	Stearns	A63B 21/225	482/51
6,390,954 B1 *	5/2002	Lee	A63B 22/001	482/51	7,806,808 B2 *	10/2010	Kuo	A63B 22/001	482/51
6,450,925 B1 *	9/2002	Kuo	A63B 22/001	482/51	7,811,206 B2 *	10/2010	Chuang	A63B 22/001	482/52
6,648,800 B2 *	11/2003	Stearns	A63B 22/001	482/52	7,878,947 B1 *	2/2011	Rodgers, Jr.	A63B 21/00181	482/51
D521,576 S *	5/2006	Hsiung	D21/668		7,931,568 B1 *	4/2011	Lin	A63B 22/0012	482/51
7,153,239 B1 *	12/2006	Stearns	A63B 22/001	482/52	8,033,961 B2 *	10/2011	Kuo	A63B 21/154	482/51
7,217,225 B2 *	5/2007	Husted	A63B 22/001	482/51	8,216,115 B2 *	7/2012	Lai	A63B 22/001	482/62
7,238,146 B1 *	7/2007	Chen	A63B 22/001	482/52	8,628,454 B2 *	1/2014	Wu	A63B 22/203	482/51
7,264,576 B2 *	9/2007	Gerschefske	A63B 21/023	482/52	8,632,441 B2 *	1/2014	Chen	A63B 22/0058	482/51
D569,455 S *	5/2008	Dukhande	D21/668		8,740,755 B2 *	6/2014	Chen	A63B 22/001	482/51
D581,470 S *	11/2008	Wu	D21/668		8,864,631 B1 *	10/2014	Stearns	A63B 22/0664	482/51

* cited by examiner



FIG. 1

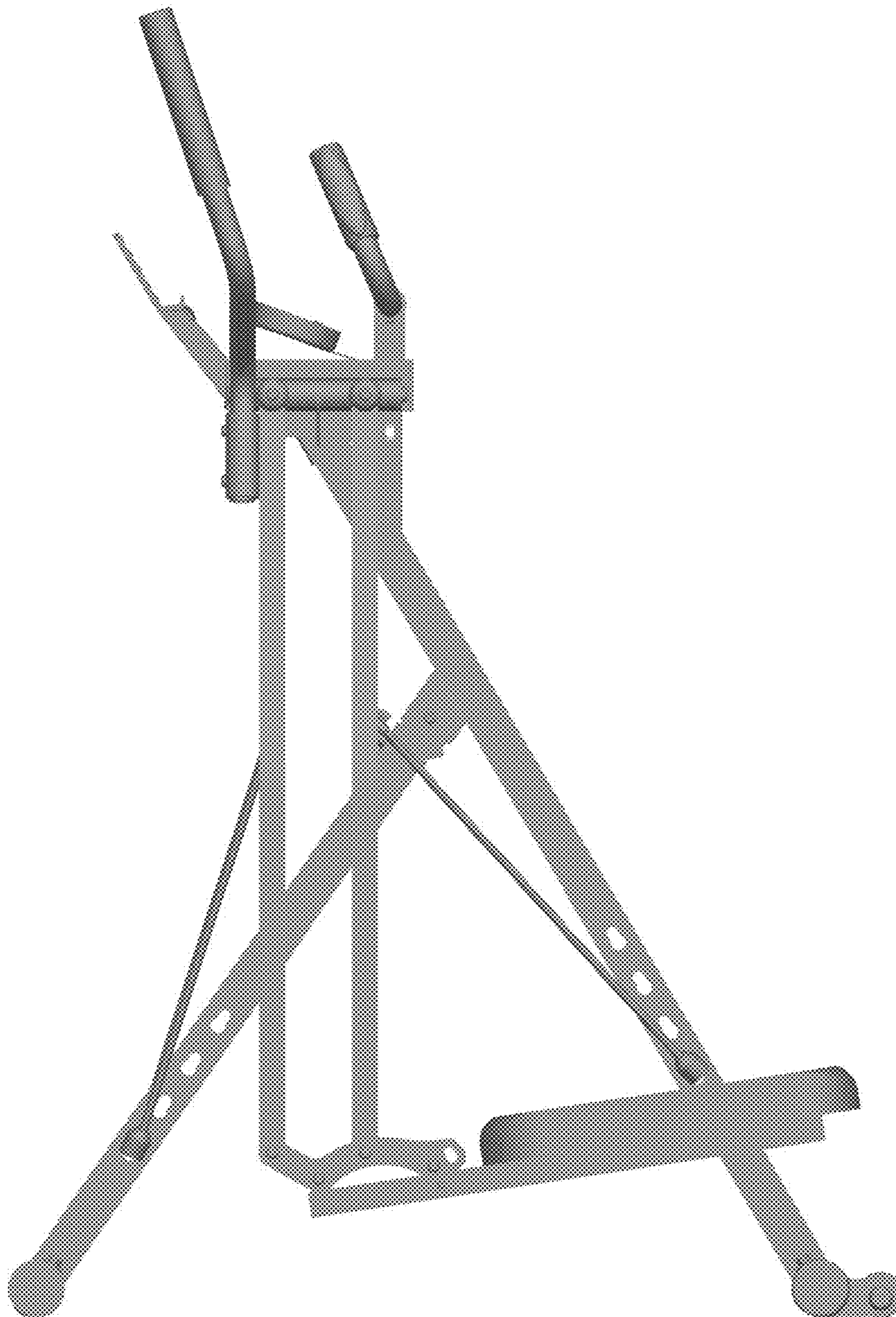


FIG. 2

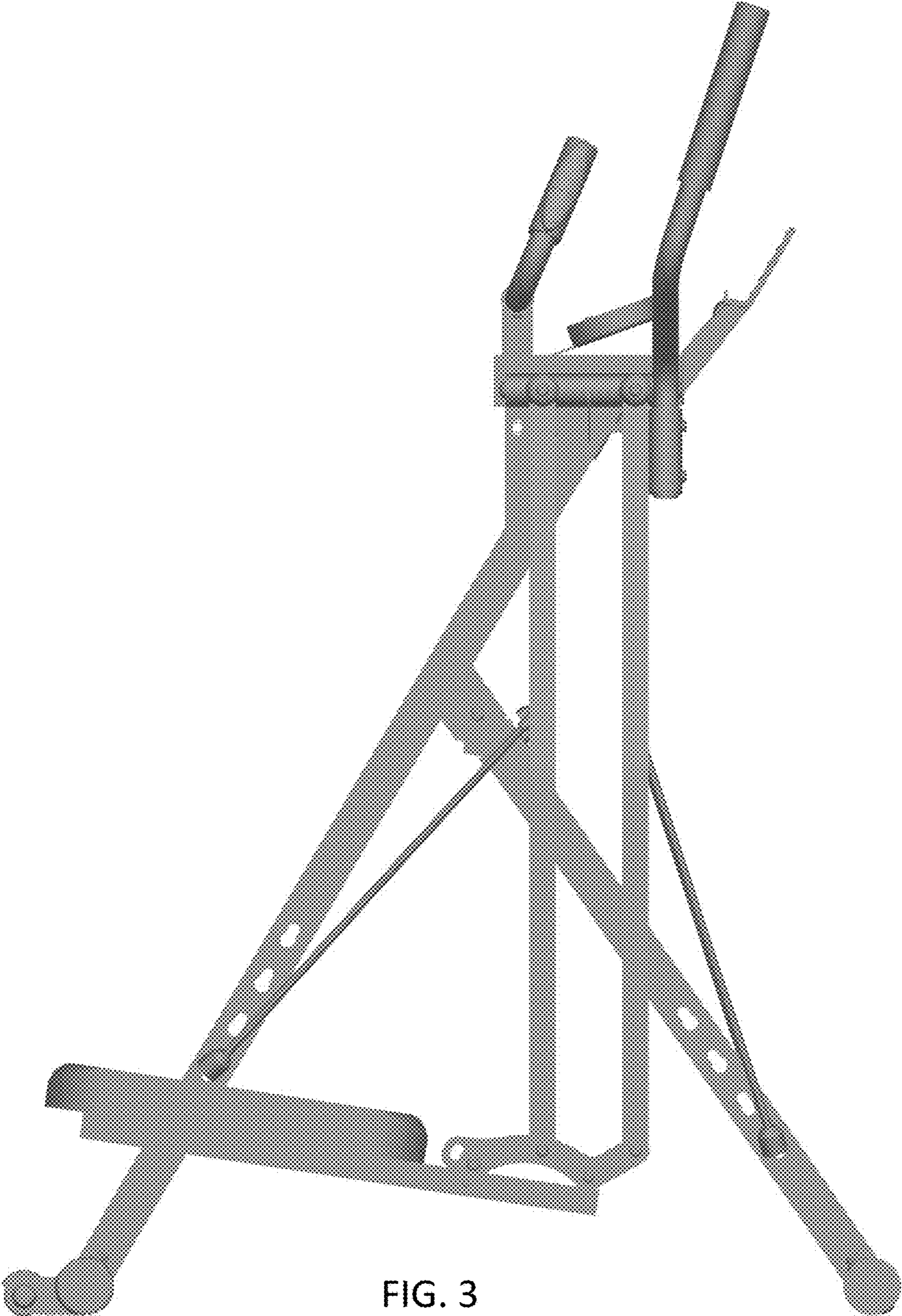


FIG. 3

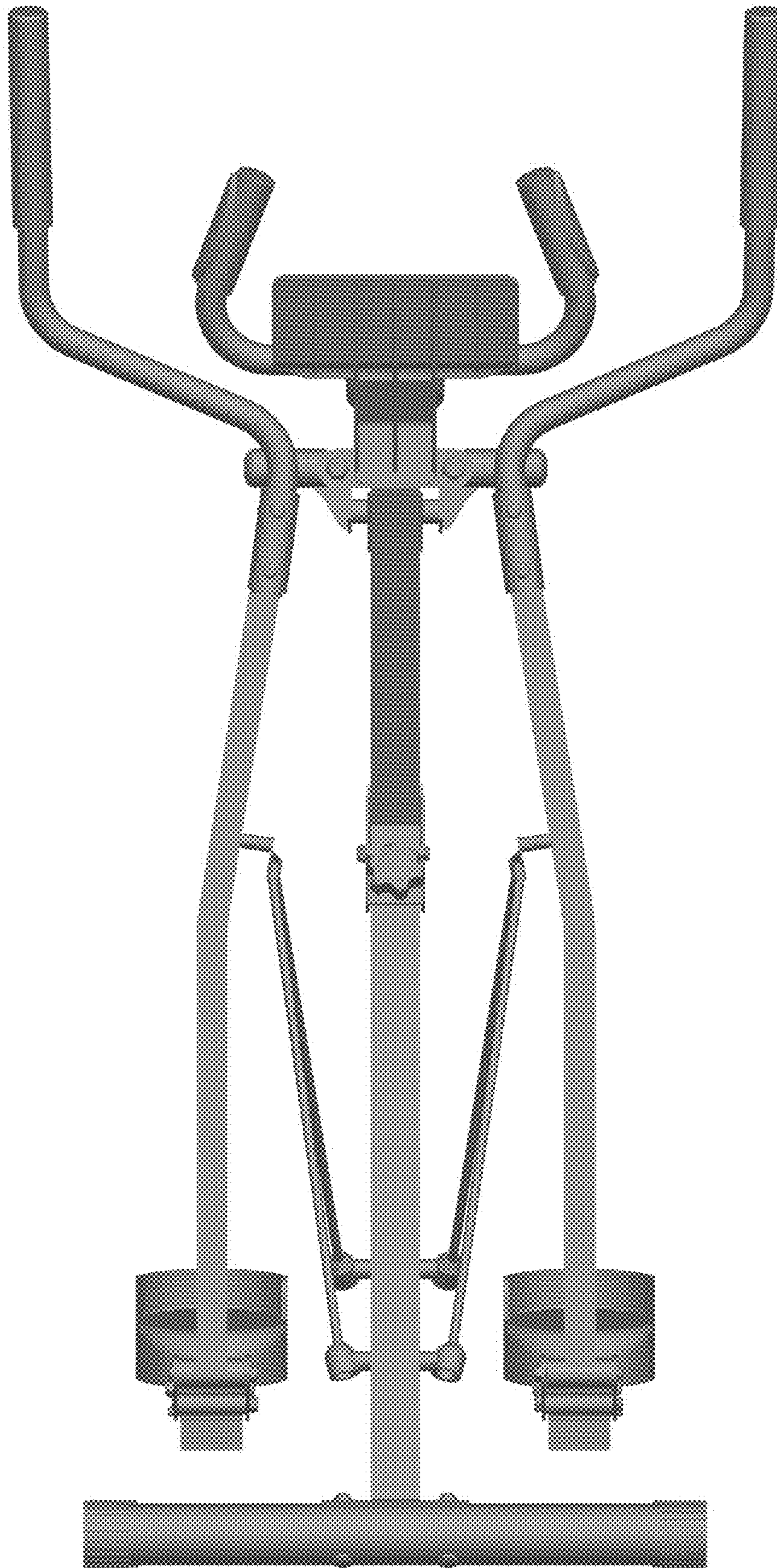


FIG. 4

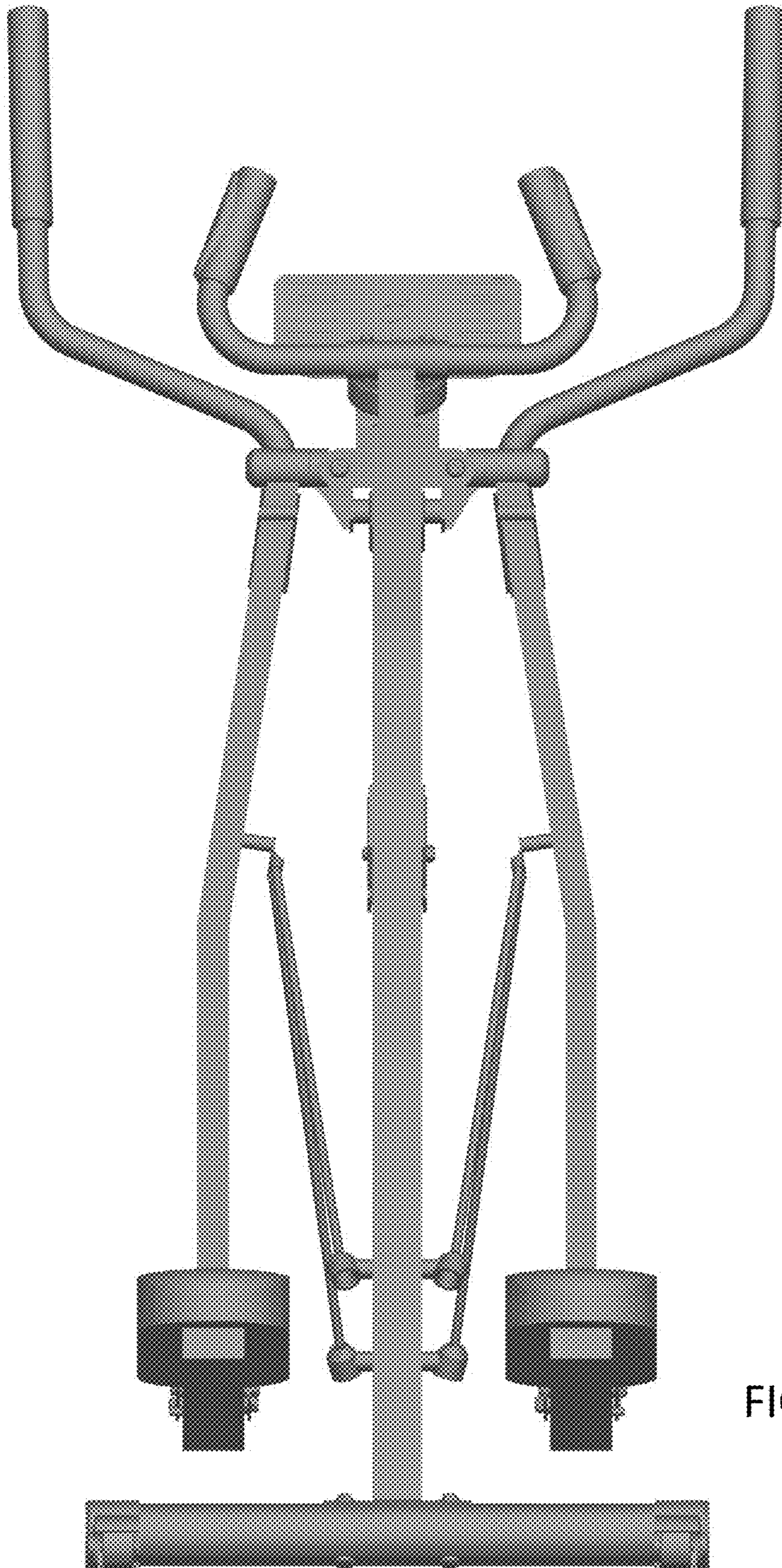


FIG. 5

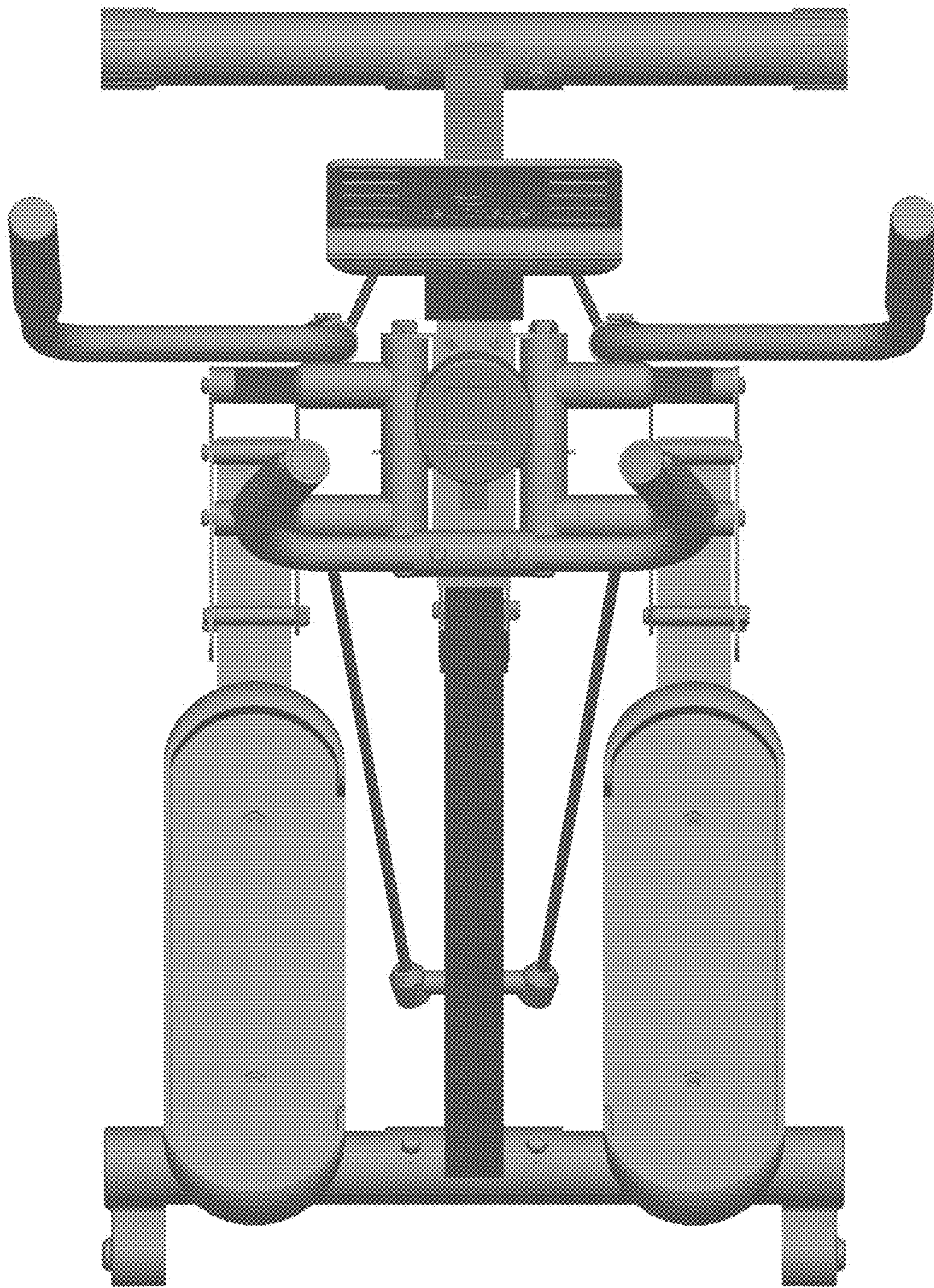


FIG. 6

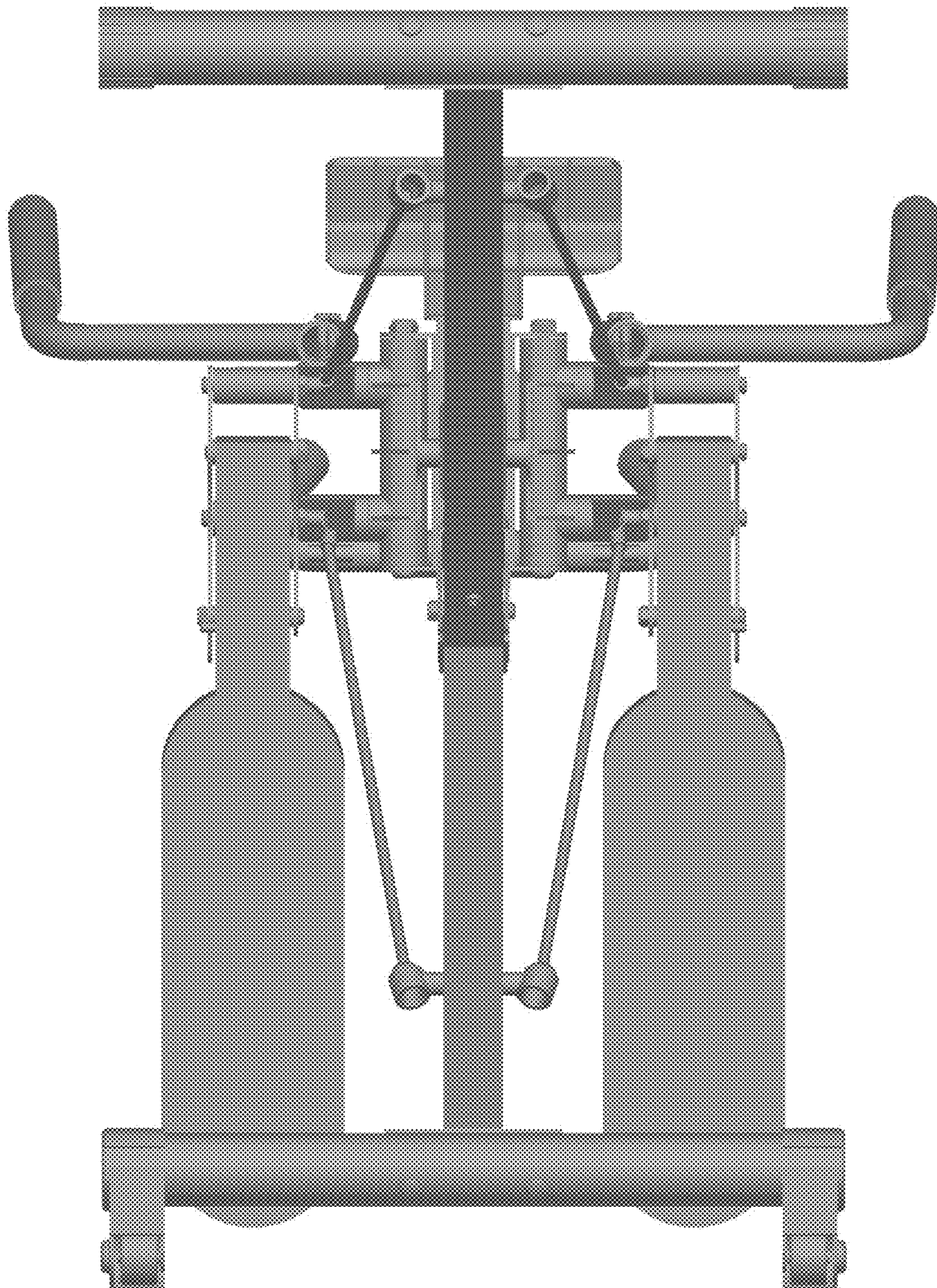


FIG. 7