



US00D850536S

(12) **United States Design Patent**
Stair et al.

(10) **Patent No.:** **US D850,536 S**

(45) **Date of Patent:** **** Jun. 4, 2019**

- (54) **GAMING MACHINE DISPLAY**
- (71) Applicant: **Aristocrat Technologies Australia Pty Limited**, North Ryde, NSW (AU)
- (72) Inventors: **Jim Stair**, Las Vegas, NV (US);
Dominic J. Demarco, Las Vegas, NV (US); **Joseph E. Kaminkow**, Reno, NV (US)
- (73) Assignee: **ARISTOCRAT TECHNOLOGIES AUSTRALIA PTY LIMITED**, North Ryde, NSW (AU)

- D508,719 S 8/2005 De Haas
- D508,961 S 8/2005 Gatto et al.
- D560,724 S 1/2008 Johnson
- D560,725 S 1/2008 Johnson
- D572,314 S 7/2008 Vallejo et al.
- D573,417 S * 7/2008 Osbourn D7/641
- D603,909 S 11/2009 De Viveiros Ortiz
- D604,368 S 11/2009 Lesley et al.
- D604,773 S 11/2009 De Viveiros Ortiz
- D604,774 S 11/2009 De Viveiros Ortiz
- D605,231 S 12/2009 Hashimoto et al.
- D612,432 S 3/2010 De Viveiros Ortiz
- D615,598 S 5/2010 McComb et al.
- D622,780 S 8/2010 Lesley et al.
- D622,781 S 8/2010 Lesley et al.
- D646,337 S 10/2011 Kelly et al.
- D649,605 S 11/2011 Terpstra et al.
- D685,033 S 6/2013 Wudtke

(**) Term: **15 Years**

(21) Appl. No.: **29/578,786**

(22) Filed: **Sep. 23, 2016**

(51) **LOC (11) Cl.** **21-03**

(52) **U.S. Cl.**
USPC **D21/370**

(58) **Field of Classification Search**
 USPC D21/369, 370, 371, 385, 329, 325, 394;
 D14/307, 172, 129, 325, 401, 371, 126,
 D14/439, 432, 450, 128, 375, 248, 374,
 D14/341, 138 G, 127; 463/28, 13, 11,
 463/16, 20, 25, 31, 46, 23, 30, 17, 36, 29,
 463/42, 34, 32, 35, 19, 21, 22; 273/292,
 273/203, 138.2, 143 R, 142 R, 138.1;
 D19/60; D16/226; D8/335, 331, 334;
 D26/141; D7/641
 CPC G07F 17/32; G07F 17/34; G07F 17/3211;
 G07F 17/3244; G07F 17/3267
 See application file for complete search history.

(56) **References Cited**

U.S. PATENT DOCUMENTS

- D481,078 S 10/2003 Stephan
- D508,269 S 8/2005 Wichinsky

(Continued)

Primary Examiner — Ryan Harvey

(74) *Attorney, Agent, or Firm* — Armstrong Teasdale LLP

(57) **CLAIM**

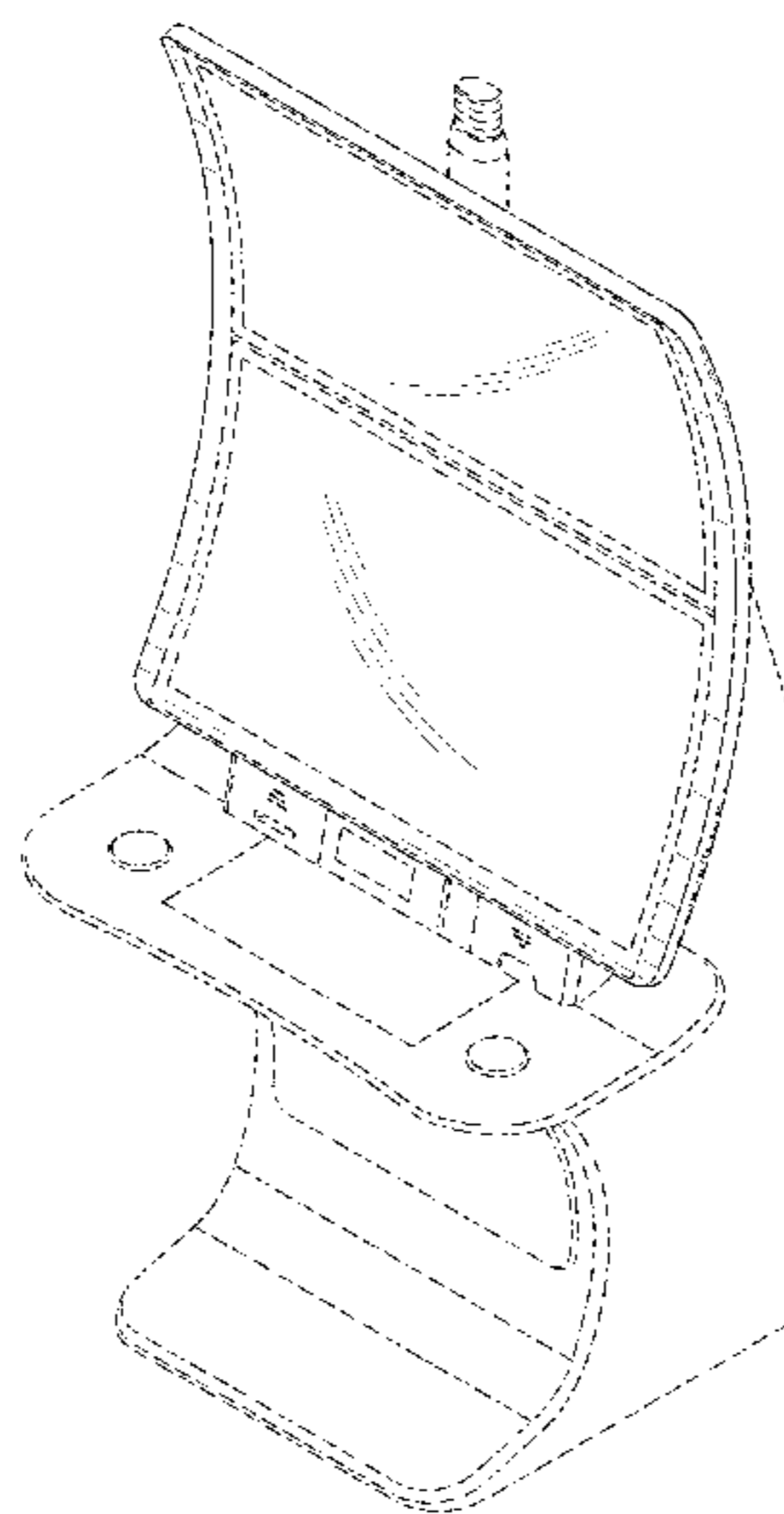
The ornamental design for a gaming machine display, as shown and described.

DESCRIPTION

FIG. 1 is a front perspective view of a gaming machine display showing our new design;
 FIG. 2 is a front view of the gaming machine display design shown in FIG. 1;
 FIG. 3 is a back view of the gaming machine display design shown in FIG. 1;
 FIG. 4 is a right view of the gaming machine display design shown in FIG. 1;
 FIG. 5 is a left view of the gaming machine display design shown in FIG. 1; and,
 FIG. 6 is a top view of the gaming machine display design shown in FIG. 1.

Broken lines illustrate unclaimed environmental features and form no part of the claimed design.

1 Claim, 5 Drawing Sheets



(56)

References Cited

U.S. PATENT DOCUMENTS

8,641,535 B2 2/2014 McComb et al.
D712,975 S 9/2014 Lesley et al.
D719,615 S * 12/2014 Inoue D21/370
D736,751 S * 8/2015 Lee D14/248
D736,752 S * 8/2015 Lee D14/248
D740,888 S 10/2015 Depalma et al.
D742,974 S 11/2015 Lesley et al.
RE46,169 E * 10/2016 Kelly G07F 17/34
D21/329
D771,041 S * 11/2016 Bae D14/341
D774,032 S * 12/2016 Bae D14/341
D812,146 S * 3/2018 Castro D21/369
D812,147 S * 3/2018 Castro D21/369
D812,148 S * 3/2018 Castro D21/369
D812,149 S * 3/2018 Castro D21/369
2011/0136573 A1 6/2011 McComb et al.
2013/0278875 A1 * 10/2013 Kim G02F 1/133514
349/106

* cited by examiner

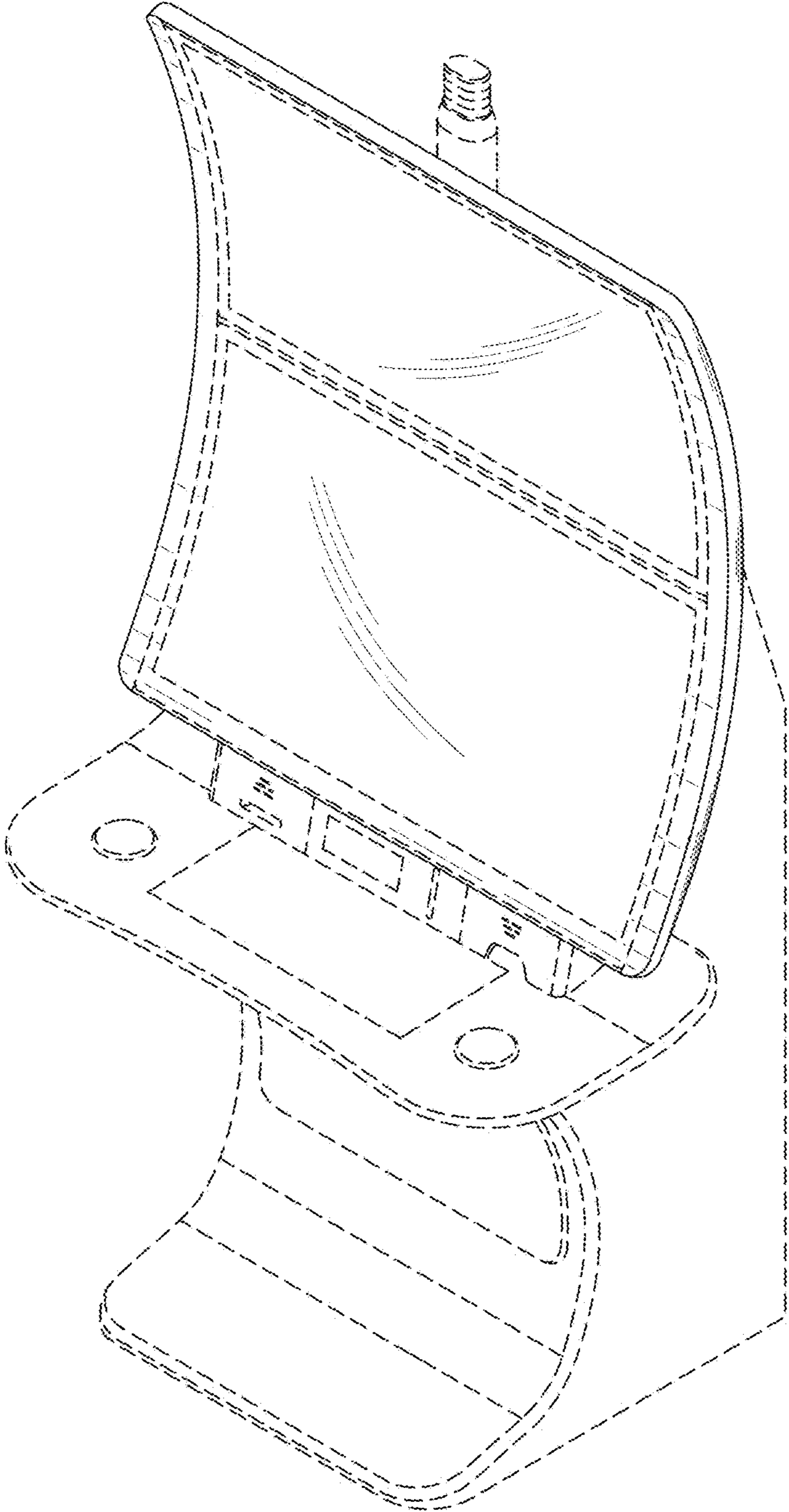


FIG. 1

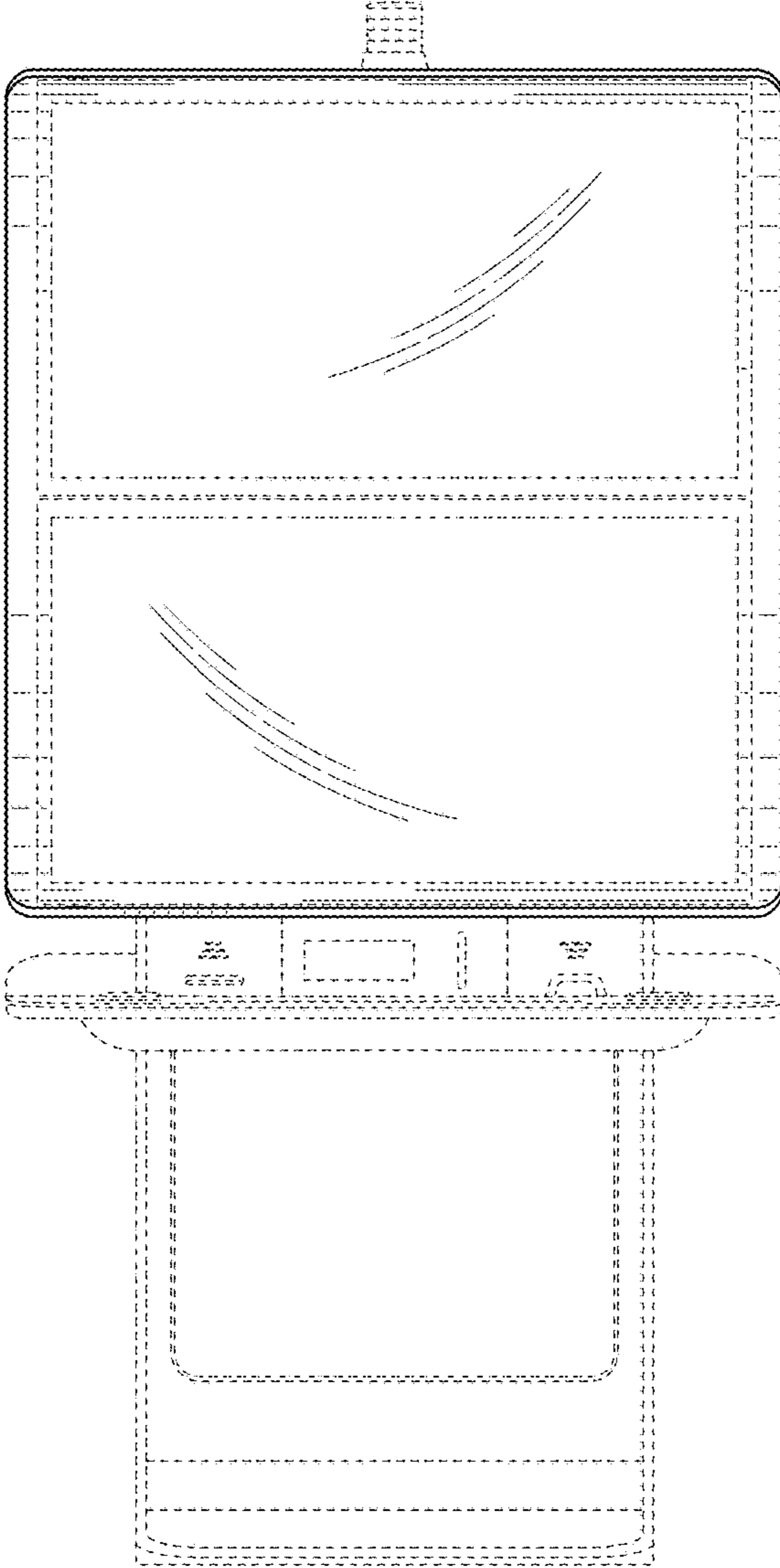


FIG. 2

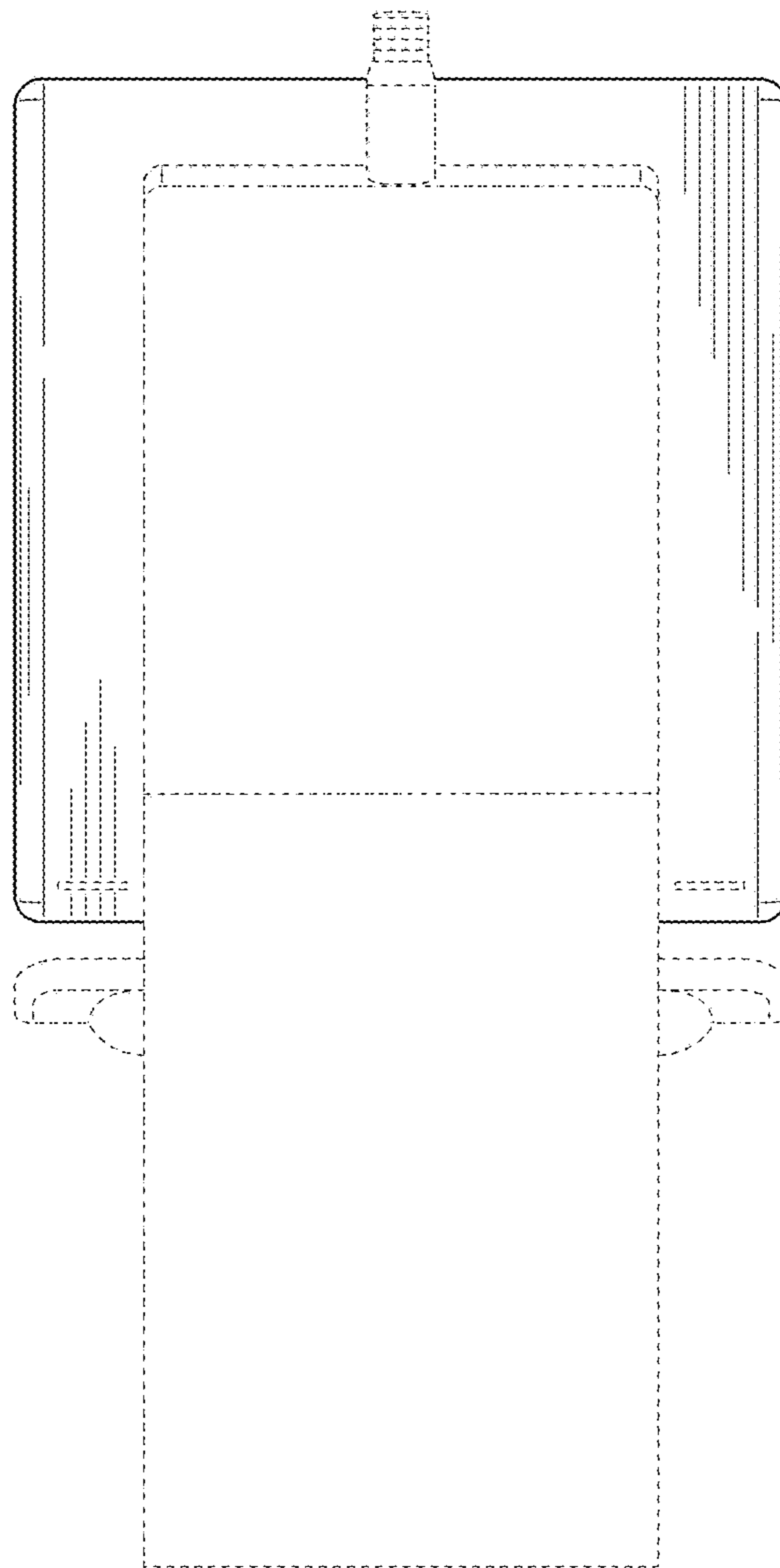


FIG. 3

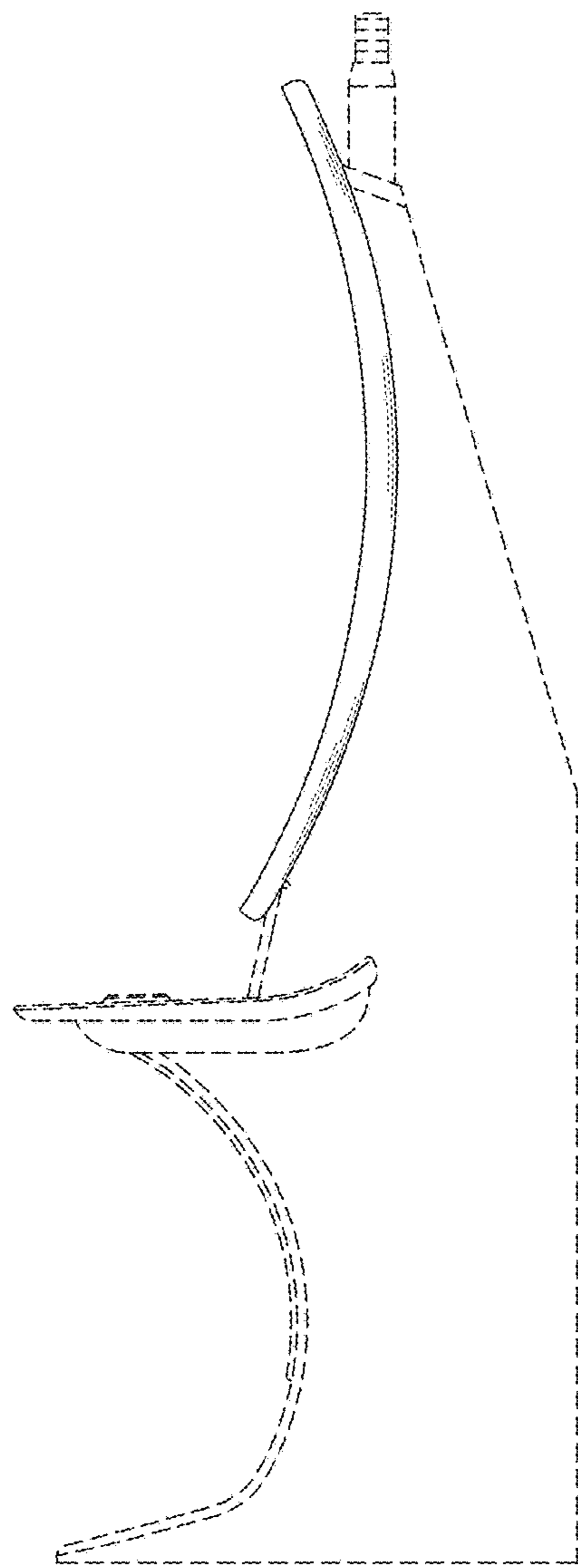


FIG. 4

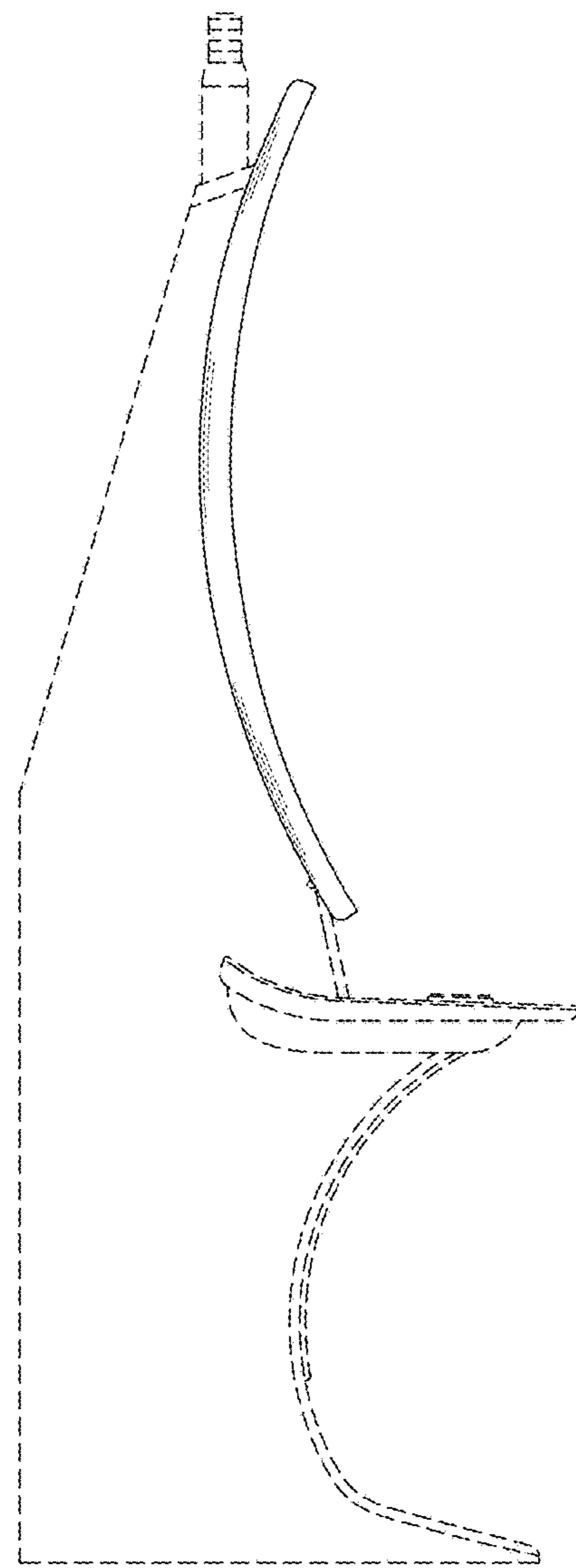


FIG. 5

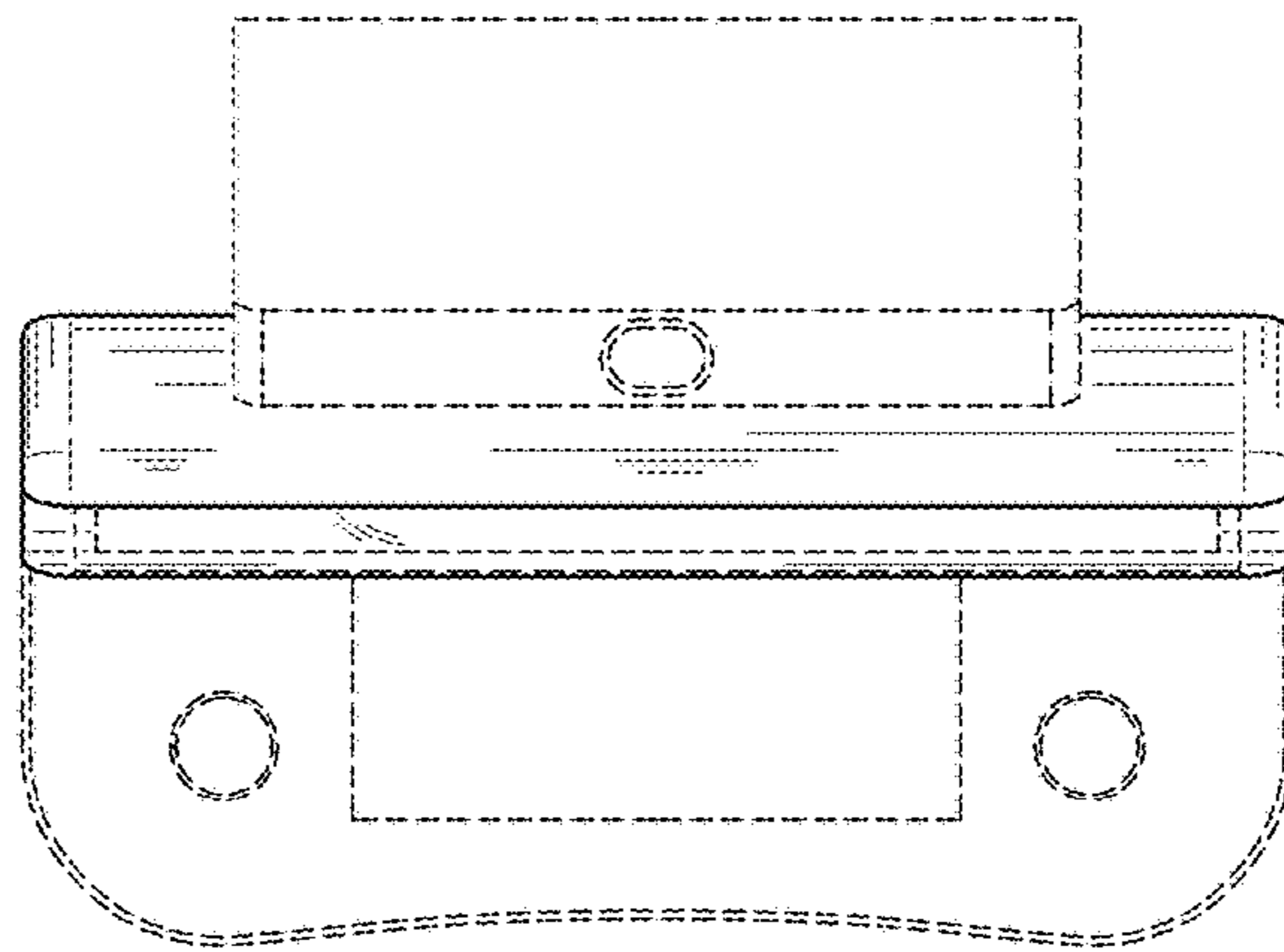


FIG. 6