



US00D850532S

(12) **United States Design Patent** (10) **Patent No.:** **US D850,532 S**
Lee et al. (45) **Date of Patent:** **** Jun. 4, 2019**

(54) **DIGITAL SIGNAGE**

(71) Applicant: **LG ELECTRONICS INC.**, Seoul (KR)

(72) Inventors: **Yoonkyeong Lee**, Seoul (KR); **Yongho Lee**, Seoul (KR)

(73) Assignee: **LG ELECTRONICS INC.**, Seoul (KR)

(**) Term: **15 Years**

(21) Appl. No.: **35/504,815**

(22) Filed: **Oct. 23, 2017**

(80) **Hague Agreement Data**

Int. Filing Date: **Oct. 23, 2017**

Int. Reg. No.: **DM/098261**

Int. Reg. Date: **Oct. 23, 2017**

Int. Reg. Pub. Date: **Apr. 27, 2018**

(30) **Foreign Application Priority Data**

Apr. 24, 2017 (KR) 30-2017-0018978

(51) **LOC (11) Cl.** **20-02**

(52) **U.S. Cl.**
USPC **D20/41**

(58) **Field of Classification Search**

USPC D20/10, 19, 99, 15, 27, 39, 41; D6/300, D6/310; D14/126, 305, 307, 316, 335, D14/336, 339, 340, 371

CPC G09F 1/00; G09F 1/02; G09F 2003/023; G09F 2003/026; G09F 2003/0264; G09F 7/00; G09F 7/12; G09F 7/14; G09F 7/16; G09F 2007/122; G09F 9/00; G09F 9/33; G09F 13/00; G09F 13/04; G09F 13/06; G09F 13/18; G09F 13/22; G09F 13/24; G09F 13/26; G09F 2013/1895; G09F 15/00

See application file for complete search history.

(56) **References Cited**

U.S. PATENT DOCUMENTS

D233,184 S * 10/1974 Alfonso D20/99
D271,168 S * 11/1983 Antonczyk D6/300
4,813,197 A * 3/1989 Teisen-Simony G09F 7/00
52/783.1
D564,994 S * 3/2008 Yamaguchi D14/126
D587,761 S * 3/2009 Grimshaw D20/39
D637,169 S * 5/2011 Kim D14/126

(Continued)

OTHER PUBLICATIONS

Digital AV Magazine. Digital signage for the future of LG in ISE 2018: transparent, flexible and without edges. Feb. 8, 2018. <URL: <https://www.digitalavmagazine.com/en/2018/02/08/lg-exhibe-carteleria-del-futuro-ise-2018/>>. (Year: 2018).*

(Continued)

Primary Examiner — George D. Kirschbaum

Assistant Examiner — Darcey E Heflin

(74) *Attorney, Agent, or Firm* — Birch, Stewart, Kolasch & Birch, LLP

(57) **CLAIM**

The ornamental design for a digital signage, as shown and described.

DESCRIPTION

1. Digital signage

1.1 : Perspective

1.2 : Front

1.3 : Back

1.4 : Left

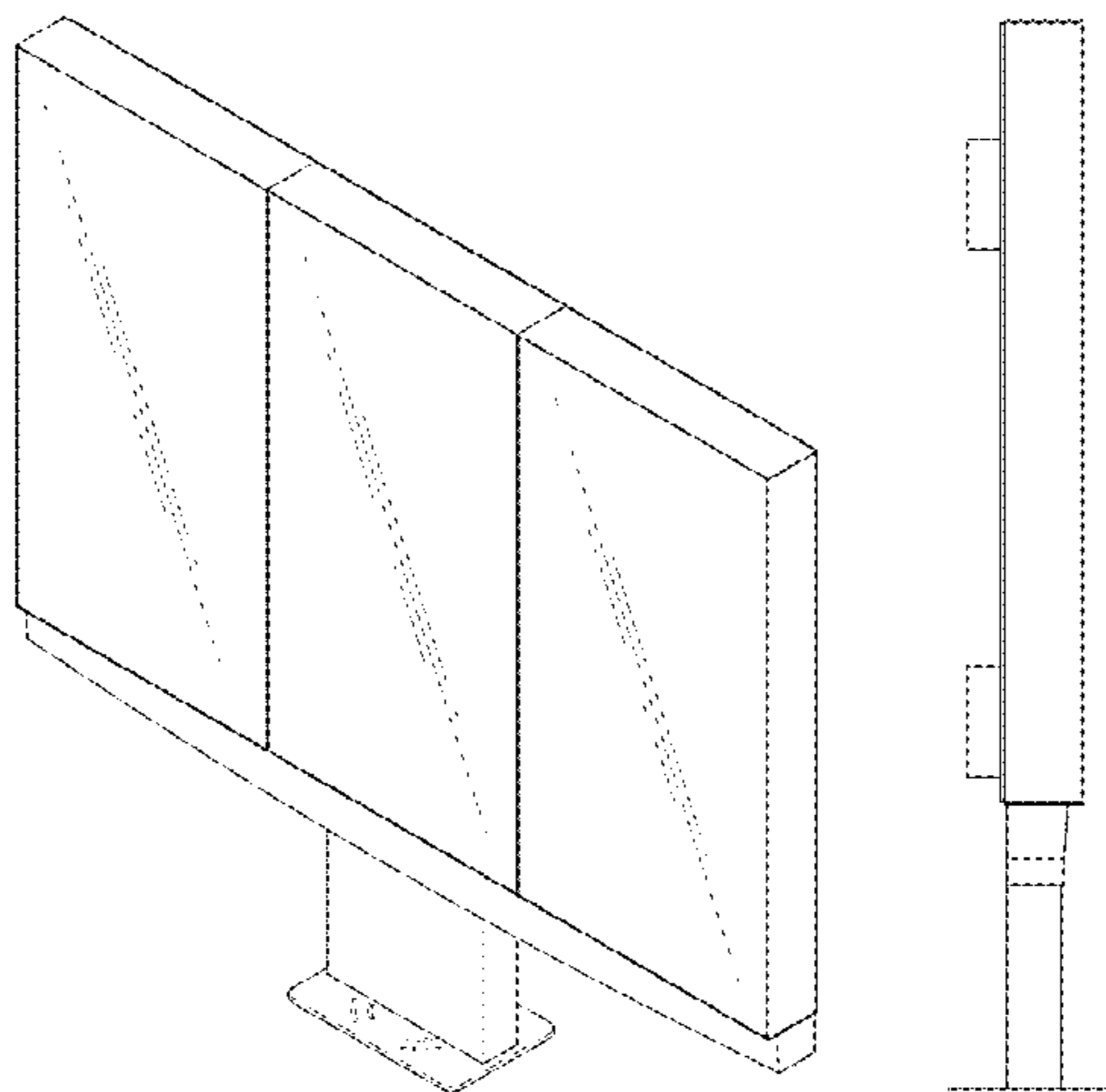
1.5 : Right

1.6 : Top

1.7 : Bottom

The broken lines indicate unclaimed portion of the article that form no part of the claimed design.

1 Claim, 7 Drawing Sheets



(56)

References Cited

U.S. PATENT DOCUMENTS

D642,383 S * 8/2011 Parisi A45D 42/08
D655,684 S * 3/2012 Kim D6/300
D661,672 S * 6/2012 Kim D14/126
D672,770 S * 12/2012 Shih D14/374
D699,203 S * 2/2014 Lu D14/126
D726,717 S * 4/2015 Lee D14/371
D734,280 S * 7/2015 Choi D14/126
D753,616 S * 4/2016 Sung D14/126
D763,259 S * 8/2016 Lee D14/375
D785,345 S * 5/2017 Yang D6/310
D807,848 S * 1/2018 Lee D14/126
D808,965 S * 1/2018 Bergeron-Mirsky D14/371
D812,580 S * 3/2018 Won D14/126
D820,230 S * 6/2018 Cha D14/126
D825,205 S * 8/2018 Liu D6/310
D826,879 S * 8/2018 Sitoh D14/126
D833,762 S * 11/2018 Liu D6/310
D836,586 S * 12/2018 Cha D14/126
2016/0255941 A1 * 9/2016 Yang A45D 42/10
2018/0184534 A1 * 6/2018 Na F16B 5/07

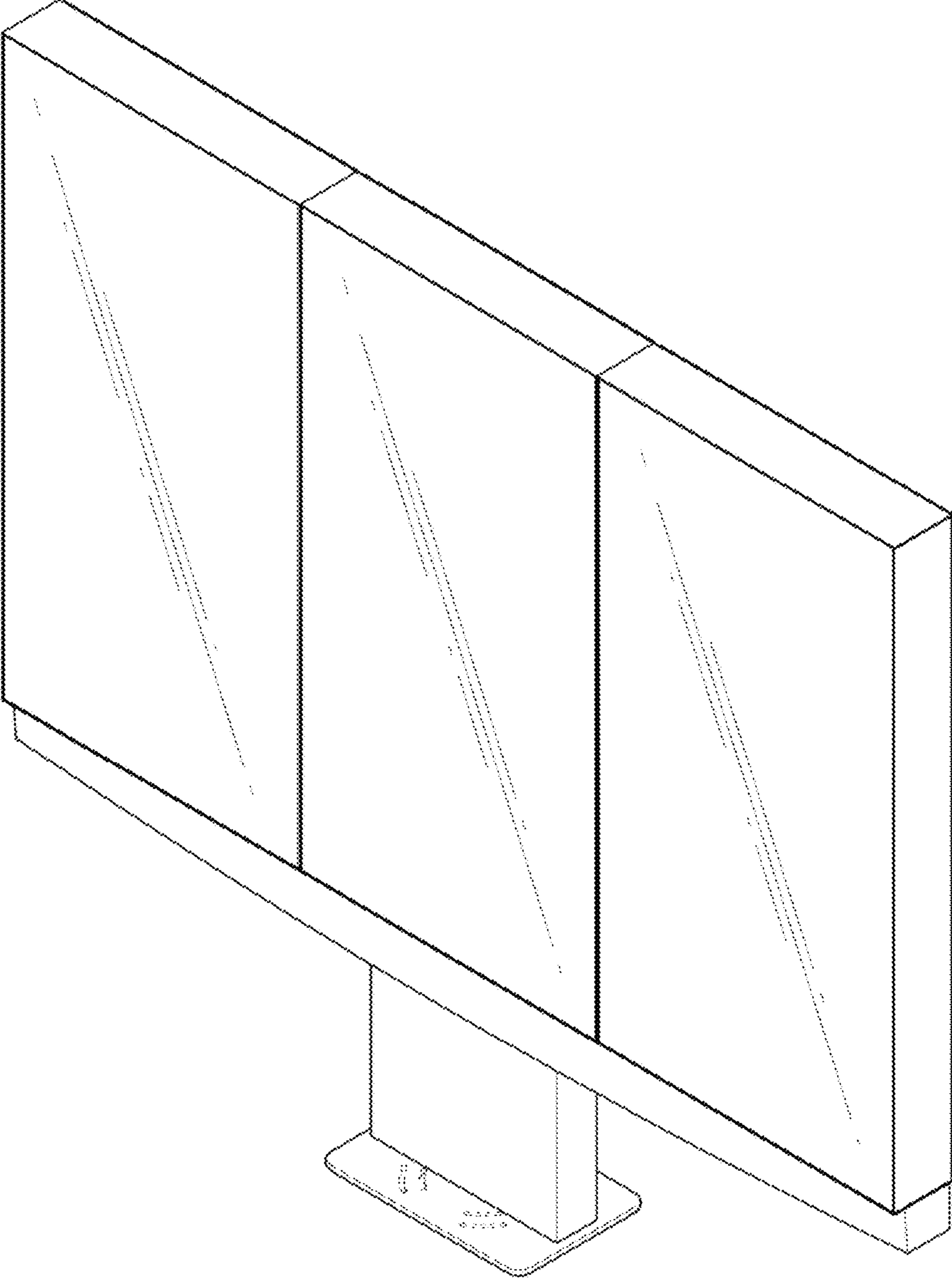
OTHER PUBLICATIONS

You Sense. Lg Oled Commercial Displays Lg Us Business. 2018.
<URL: <http://yousense.info/6c67/lg-oled-commercial-displays-lg-us-business.html>>. (Year: 2018).*

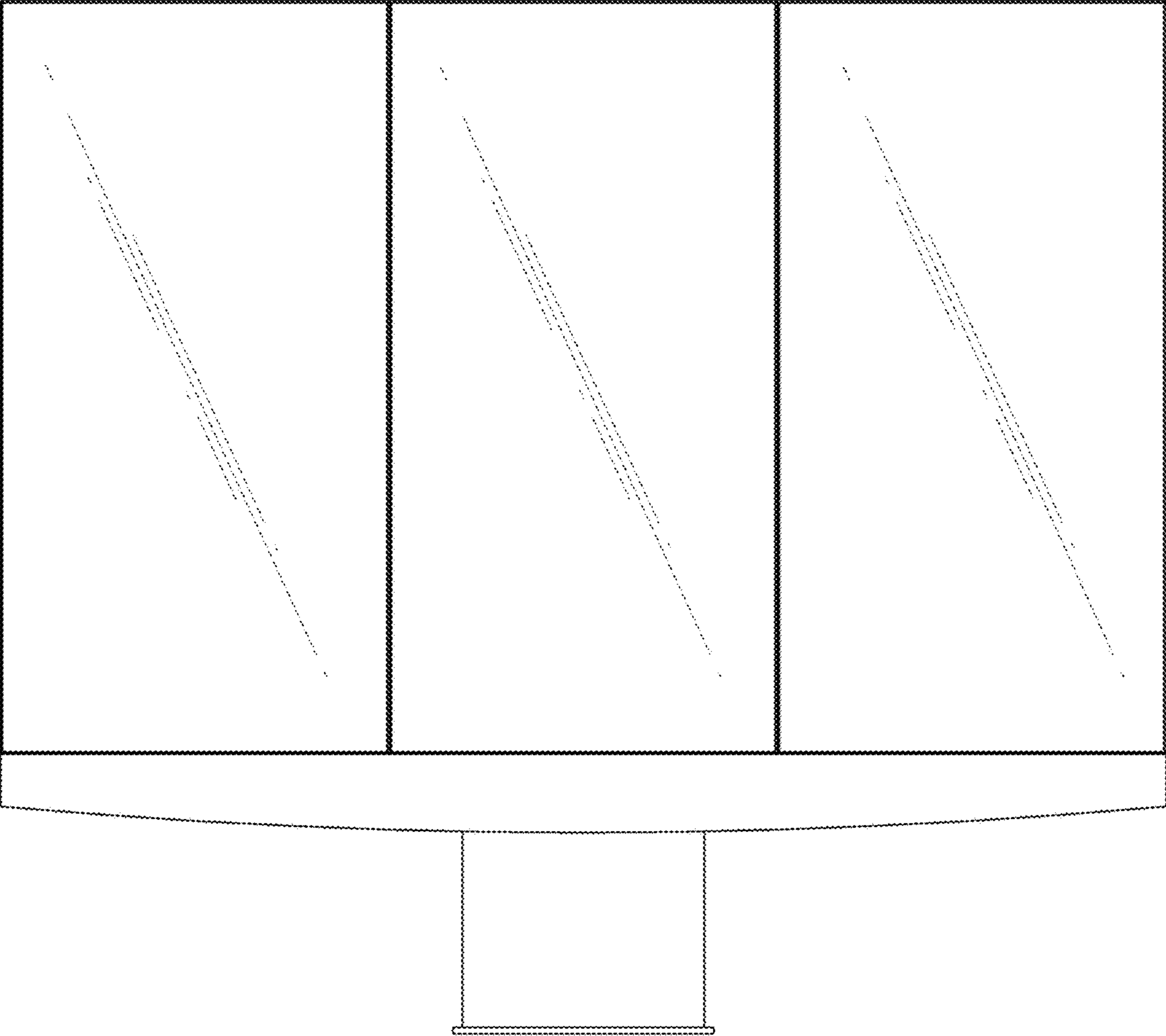
LG. Get Inspired with LG Lookbooks. 2019. <URL:<https://www.lg.com/us/business/commercial-display/lookbook>>. (Year: 2019).*

* cited by examiner

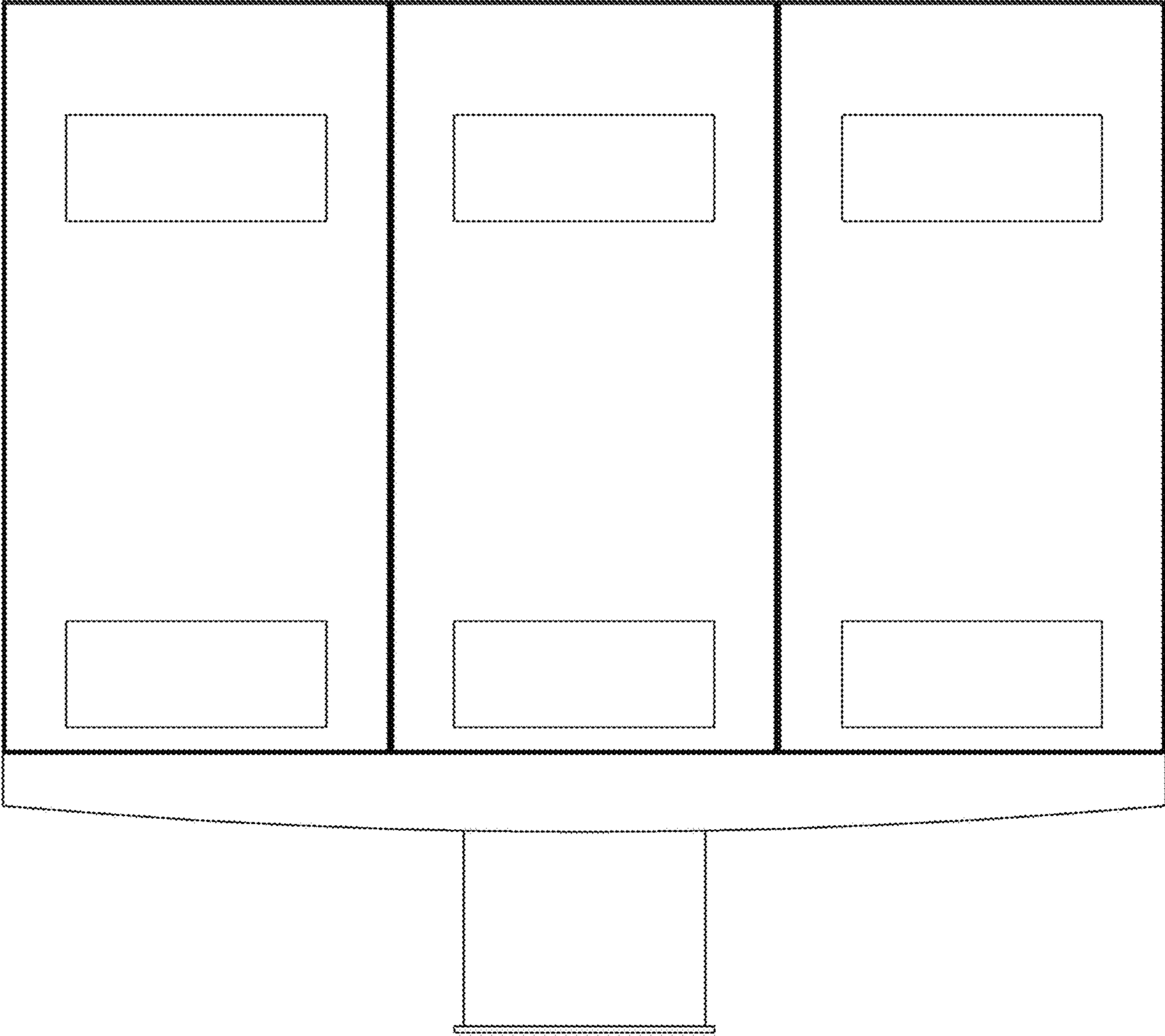
1.1



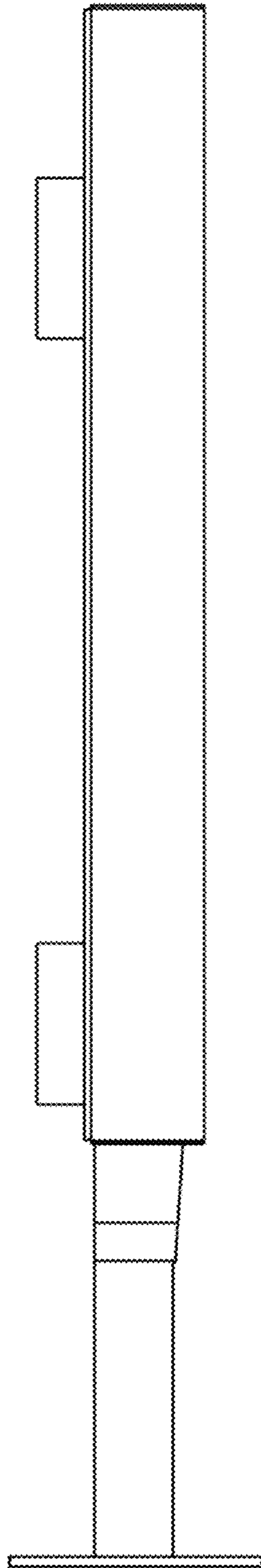
1.2



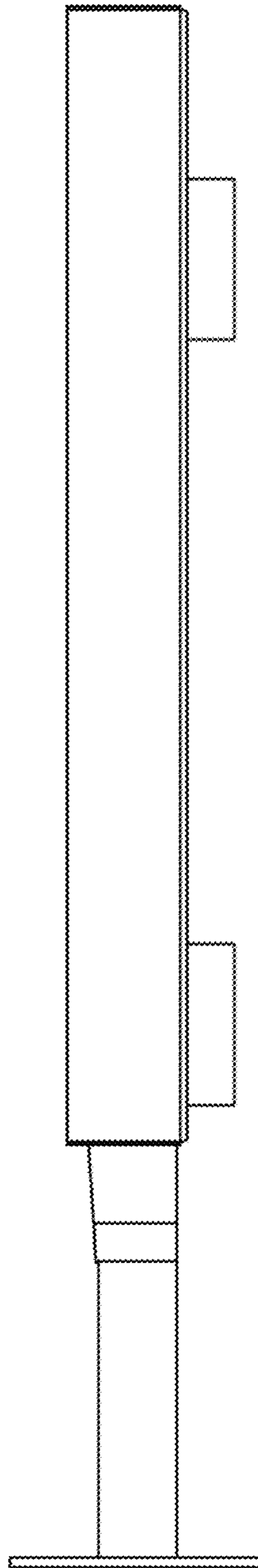
1.3



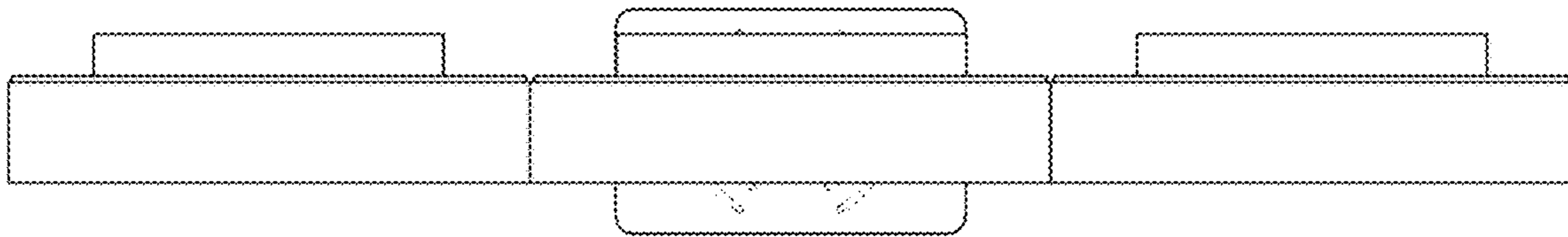
1.4



1.5



1.6



1.7

