



US00D850530S

(12) **United States Design Patent** (10) **Patent No.:** **US D850,530 S**  
**Wei et al.** (45) **Date of Patent:** **\*\* Jun. 4, 2019**

(54) **PRINTER**

(71) Applicant: **Hewlett-Packard Development Company, L.P.**, Houston, TX (US)

(72) Inventors: **Jie Wei**, Houston, TX (US); **Clinton Troy Jensen**, Houston, TX (US); **Dennis Terenzio**, Houston, TX (US)

(73) Assignee: **Hewlett-Packard Development Company, L.P.**, Spring, TX (US)

(\*\*) Term: **15 Years**

(21) Appl. No.: **29/533,383**

(22) Filed: **Jul. 16, 2015**

(51) **LOC (11) Cl.** ..... **14-02**

(52) **U.S. Cl.**  
USPC ..... **D18/55**

(58) **Field of Classification Search**  
USPC ..... D18/14, 19, 50, 54, 54.1, 55;  
D14/420-425  
CPC ... B41J 3/36; B41J 3/4075; B41J 11/58; B41J  
13/00; B41J 15/00; B41J 15/02; B41J  
15/042; B41J 17/00; B41J 29/00; B41J  
29/02; B41J 29/08; B41J 29/13; G06F  
3/12; G06K 15/14

See application file for complete search history.

(56) **References Cited**

**U.S. PATENT DOCUMENTS**

D562,886 S \* 2/2008 Egami ..... D18/55  
D639,847 S \* 6/2011 Nakata ..... D18/50

D653,704 S \* 2/2012 Seki ..... D18/55  
D693,873 S \* 11/2013 Fukasawa ..... D18/55  
D697,964 S \* 1/2014 Fukasawa ..... D18/55  
D697,965 S \* 1/2014 Fukasawa ..... D18/55  
D722,339 S \* 2/2015 Nakagawa ..... D18/55  
D724,141 S \* 3/2015 Kim ..... D18/55  
D749,171 S \* 2/2016 Nakagawa ..... D18/55  
D765,772 S \* 9/2016 Clark, III ..... D18/55

\* cited by examiner

*Primary Examiner* — Patricia A Palasik

(74) *Attorney, Agent, or Firm* — HPI Patent Department

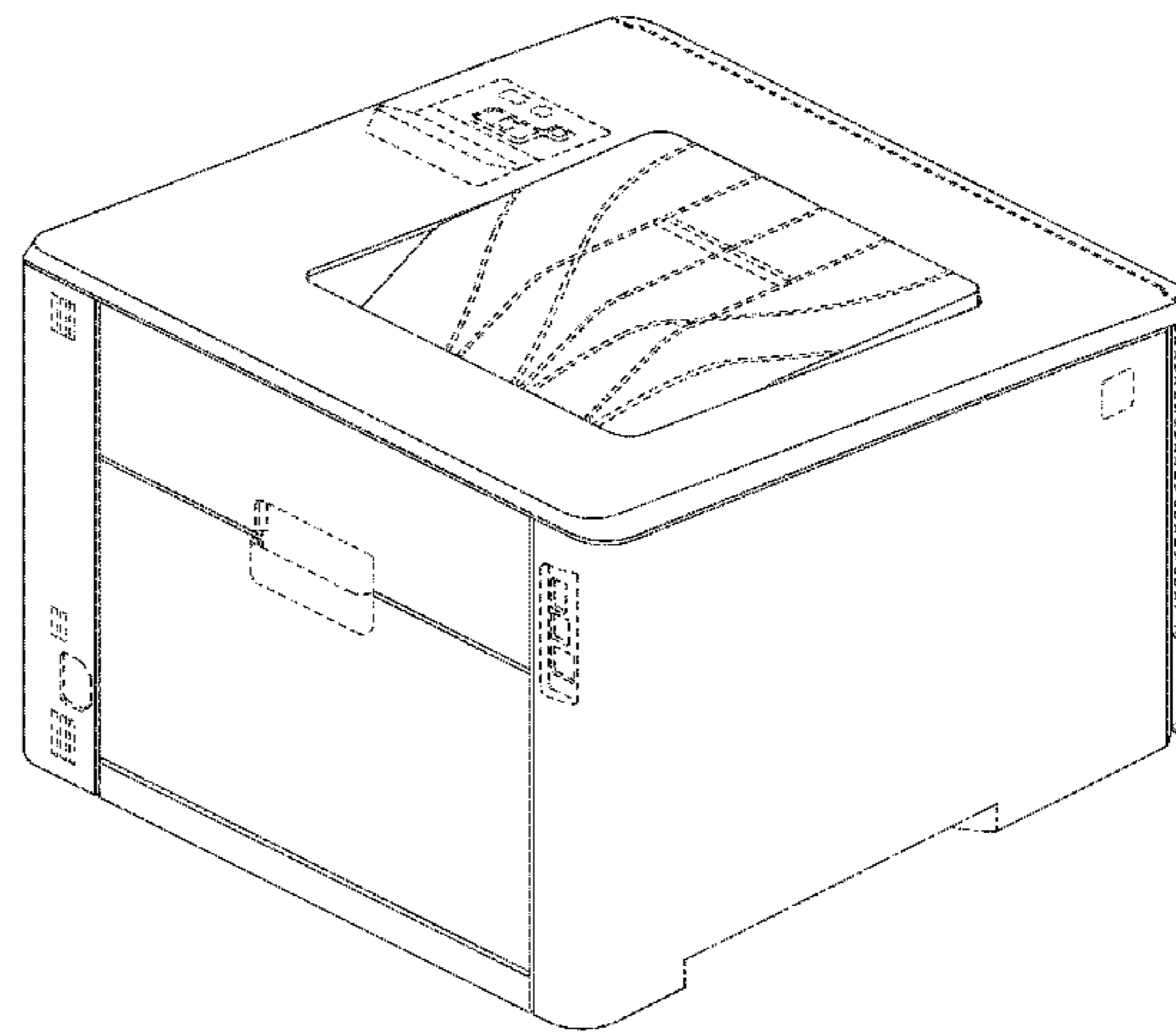
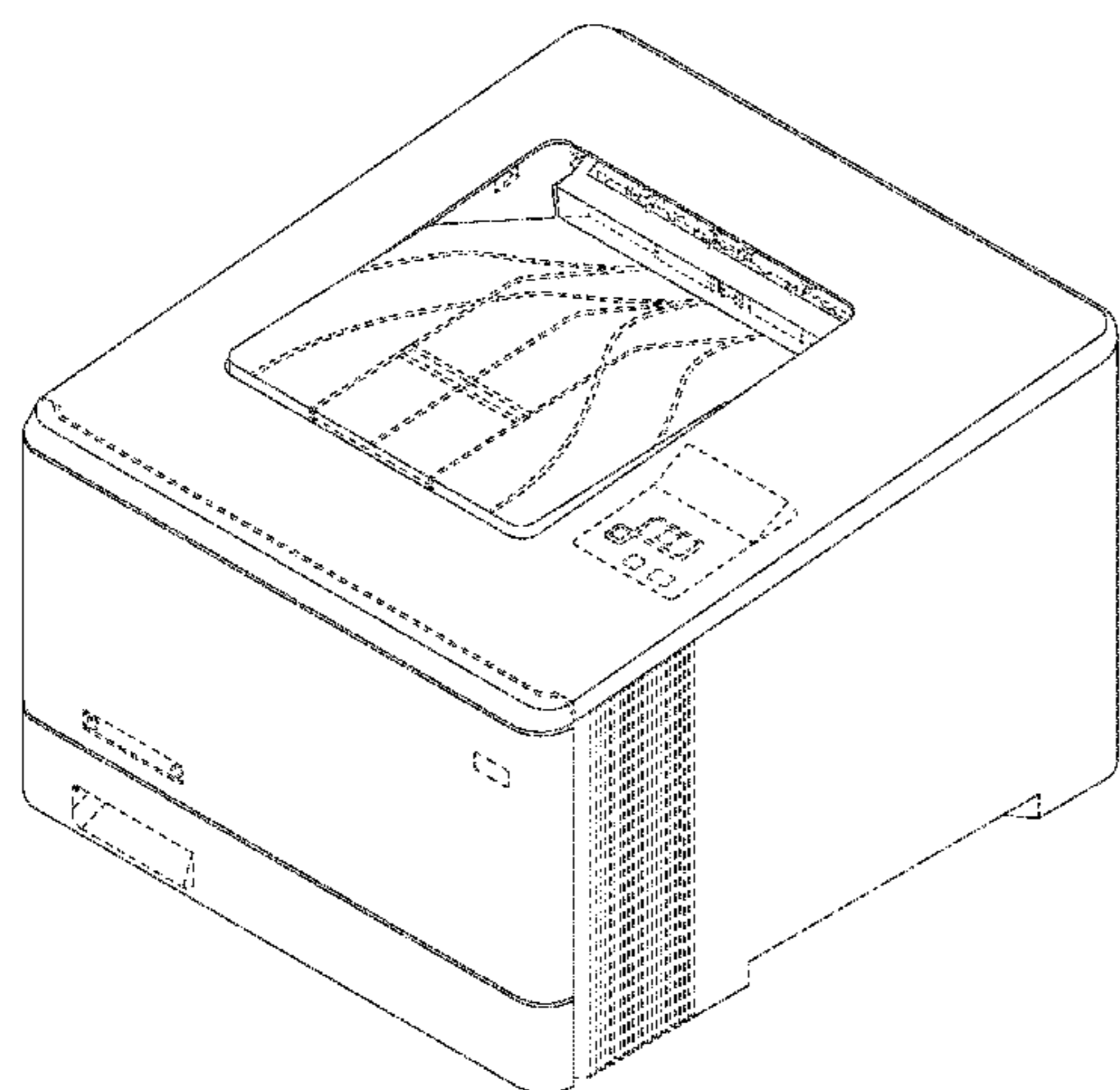
(57) **CLAIM**

We claim the ornamental design for a printer, as shown and described.

**DESCRIPTION**

FIG. 1 is a top, front, right perspective view of a printer showing our new design;  
FIG. 2 is a top, rear, left perspective thereof;  
FIG. 3 is a front elevation view thereof;  
FIG. 4 is a rear elevation view thereof;  
FIG. 5 is a top plan view thereof;  
FIG. 6 is a bottom plan view thereof;  
FIG. 7 is a right side elevation view thereof; and,  
FIG. 8 is a left side elevation view thereof.  
The broken lines formed by dashes depict portions of the printer and form no part of the claimed design. The dot-dash-dot lines represent unclaimed boundaries that form no part of the claim design.

**1 Claim, 8 Drawing Sheets**



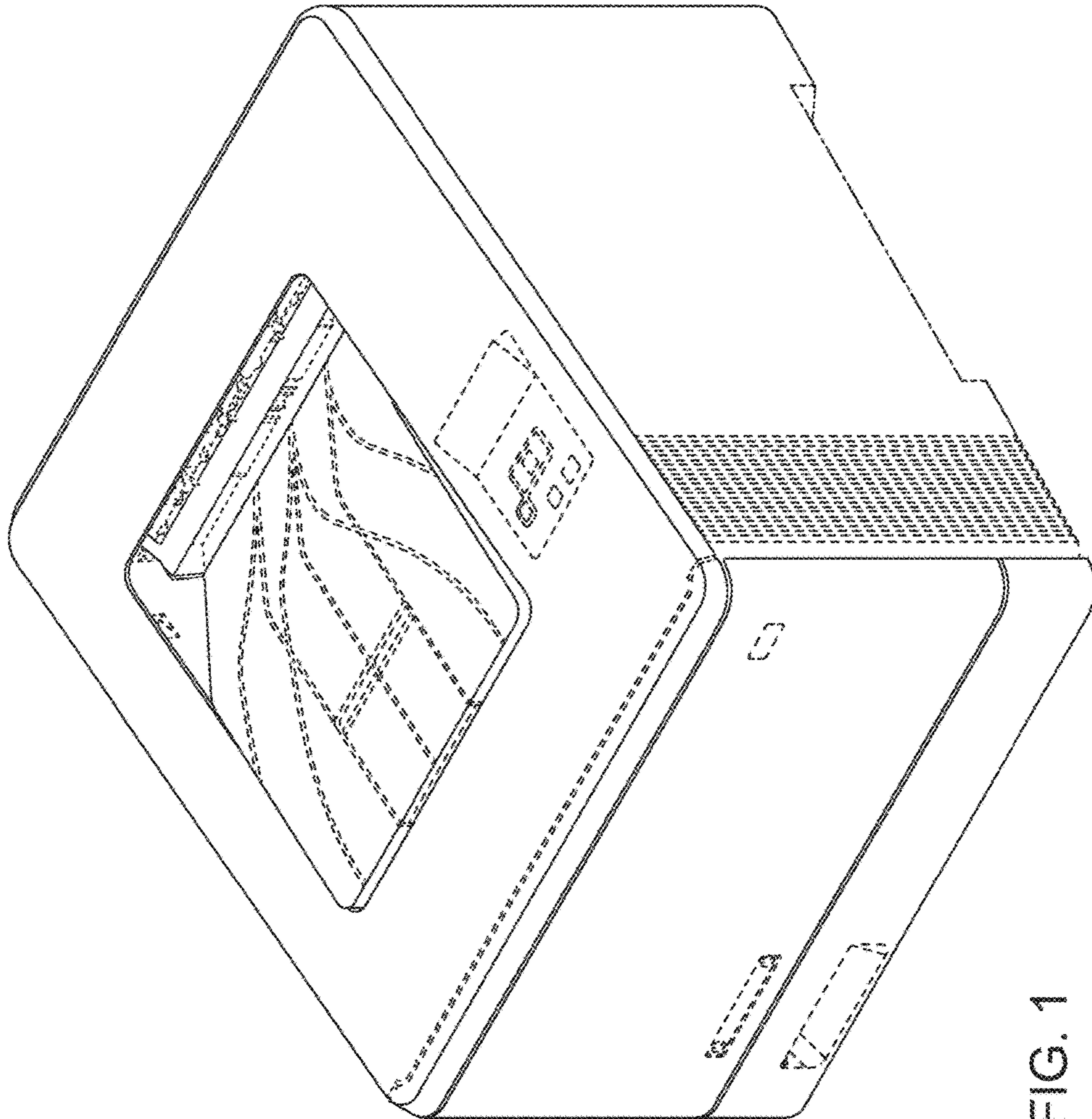


FIG. 1

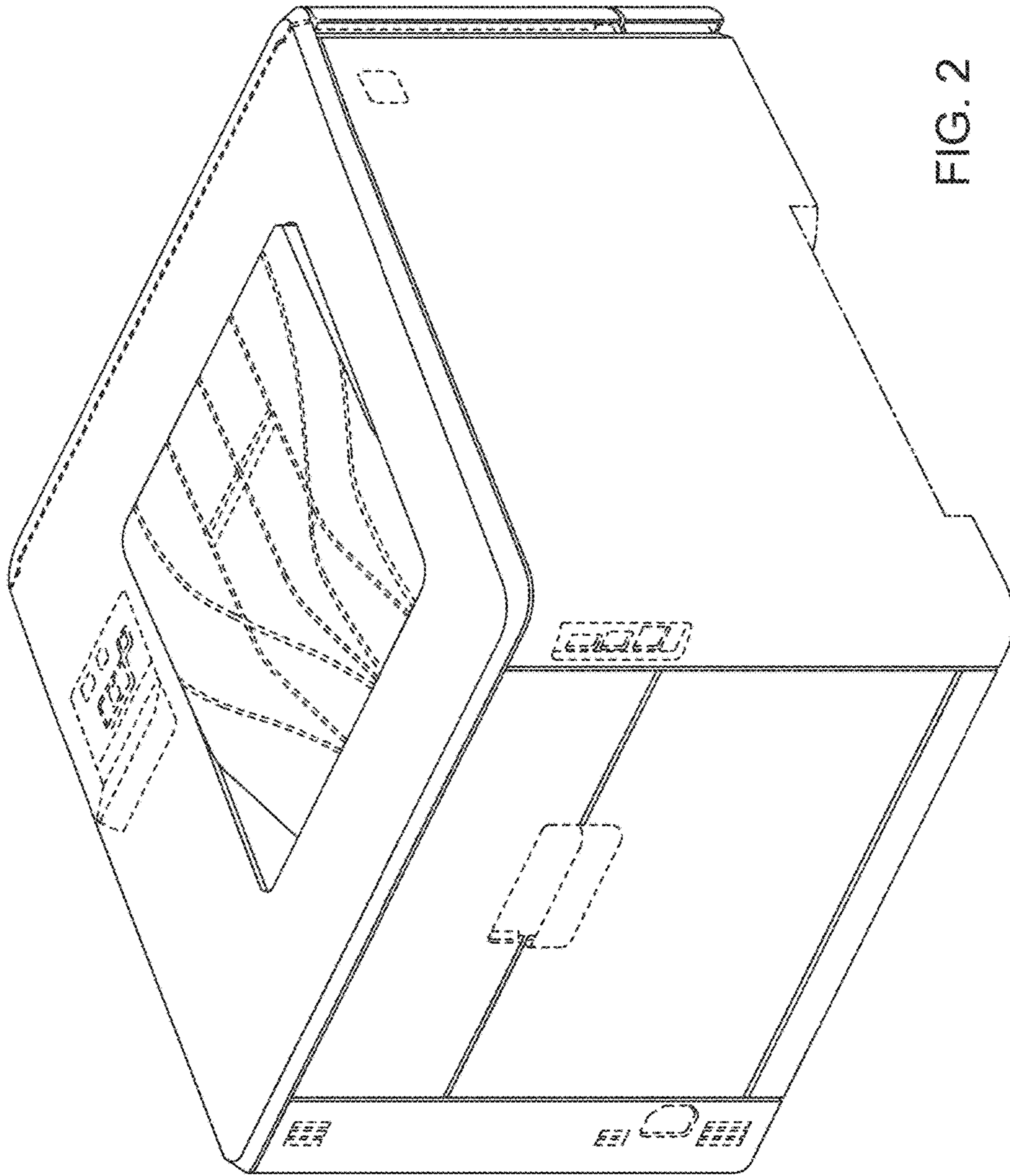


FIG. 2

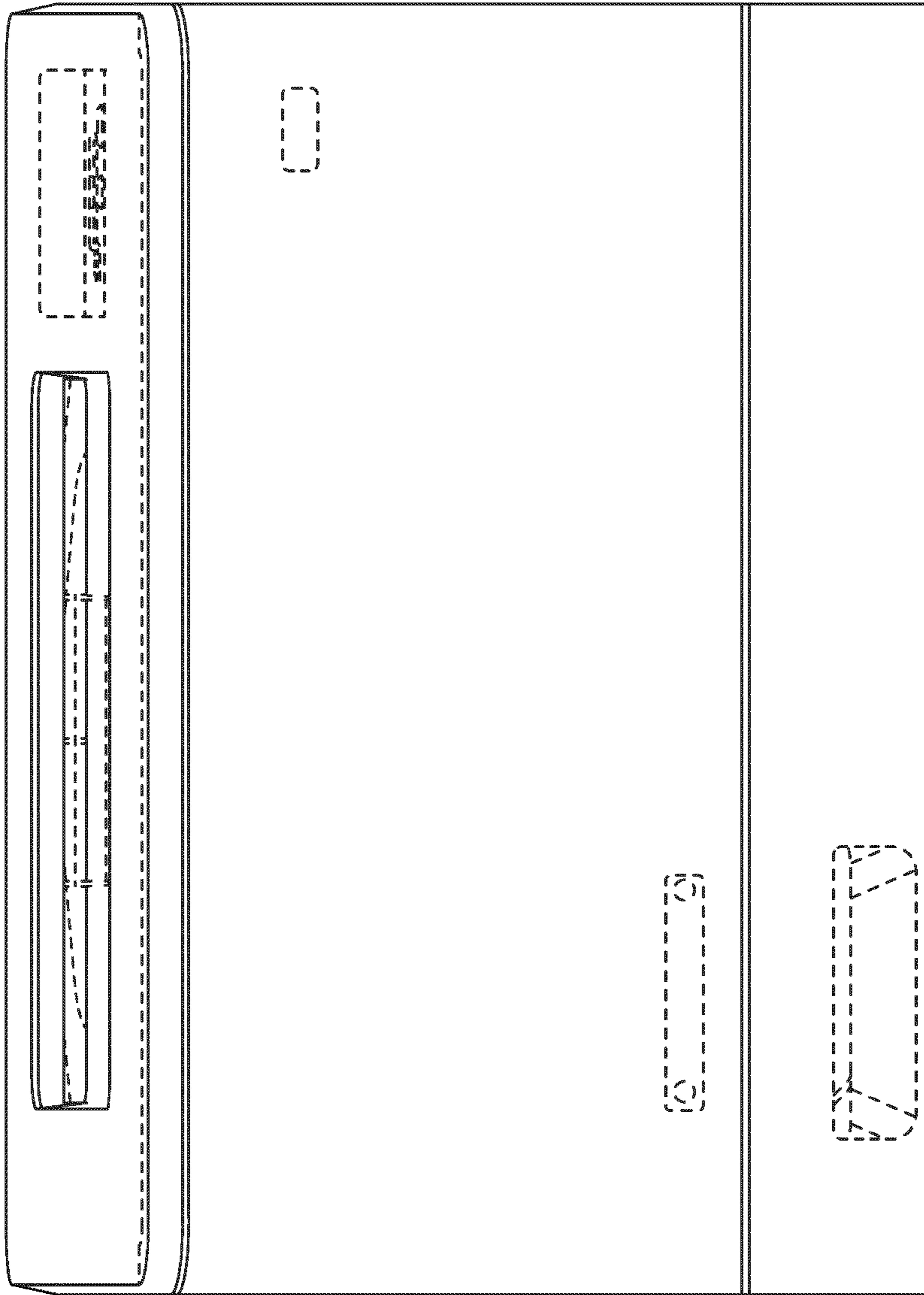


FIG. 3

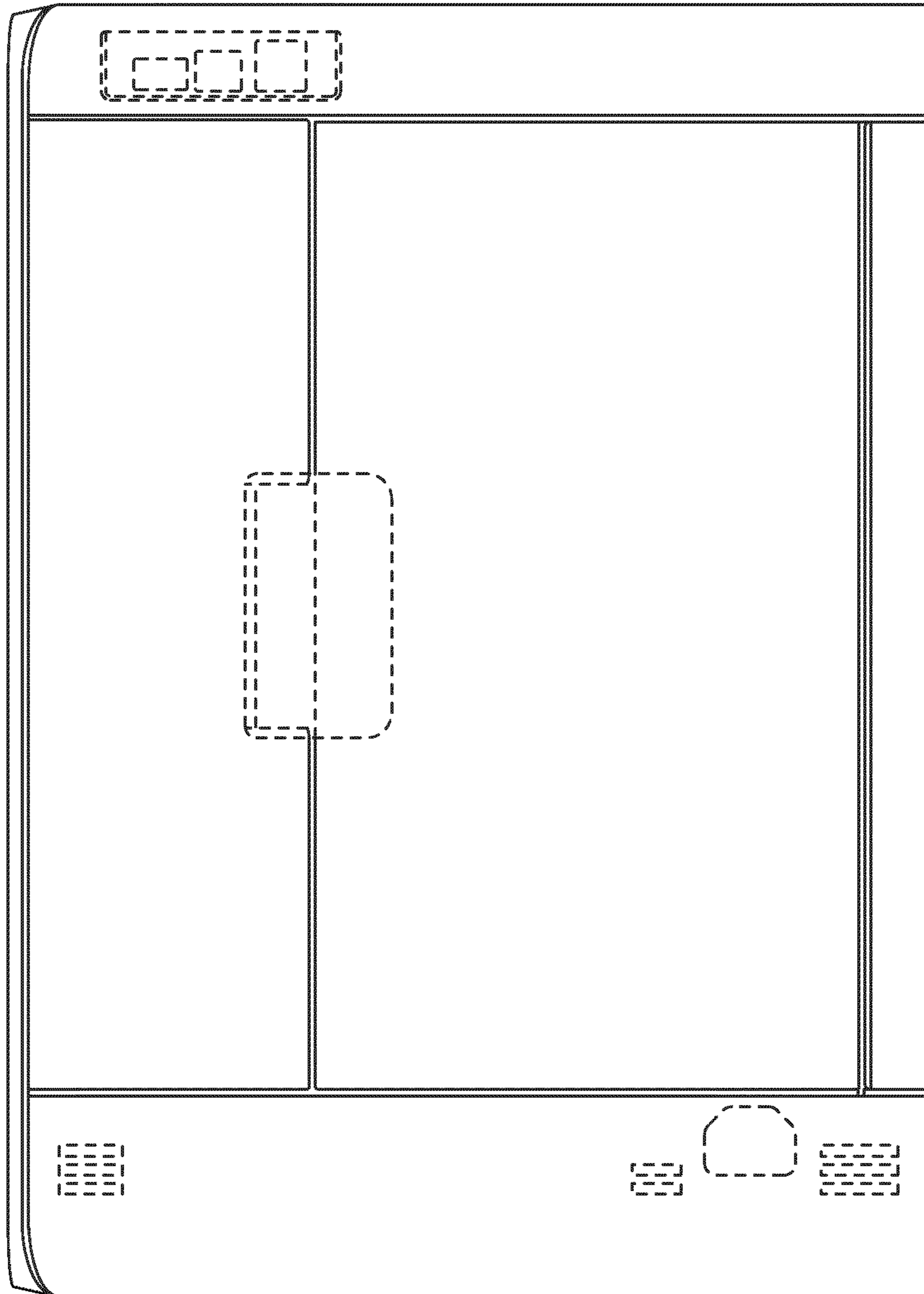


FIG. 4

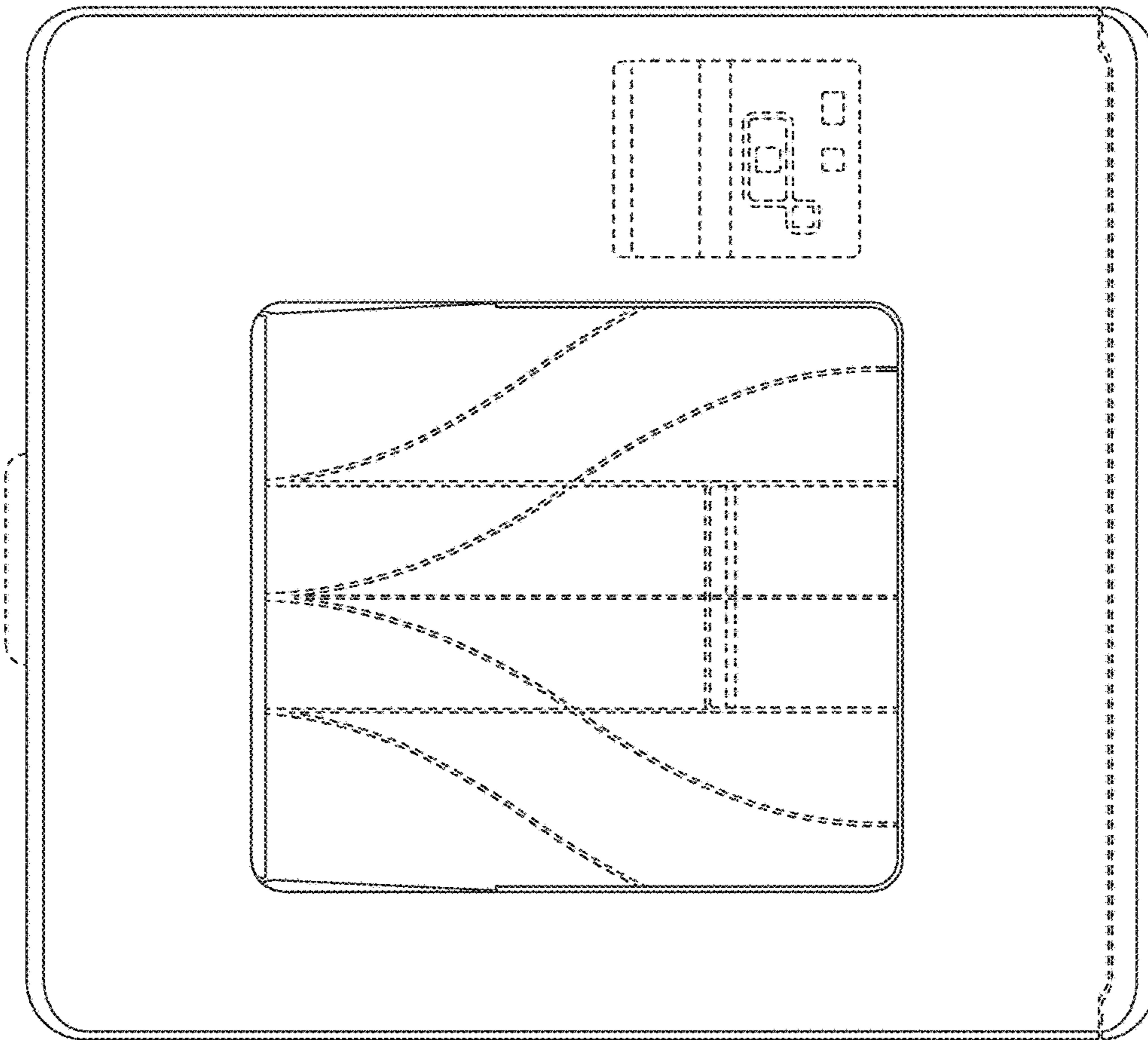


FIG. 5

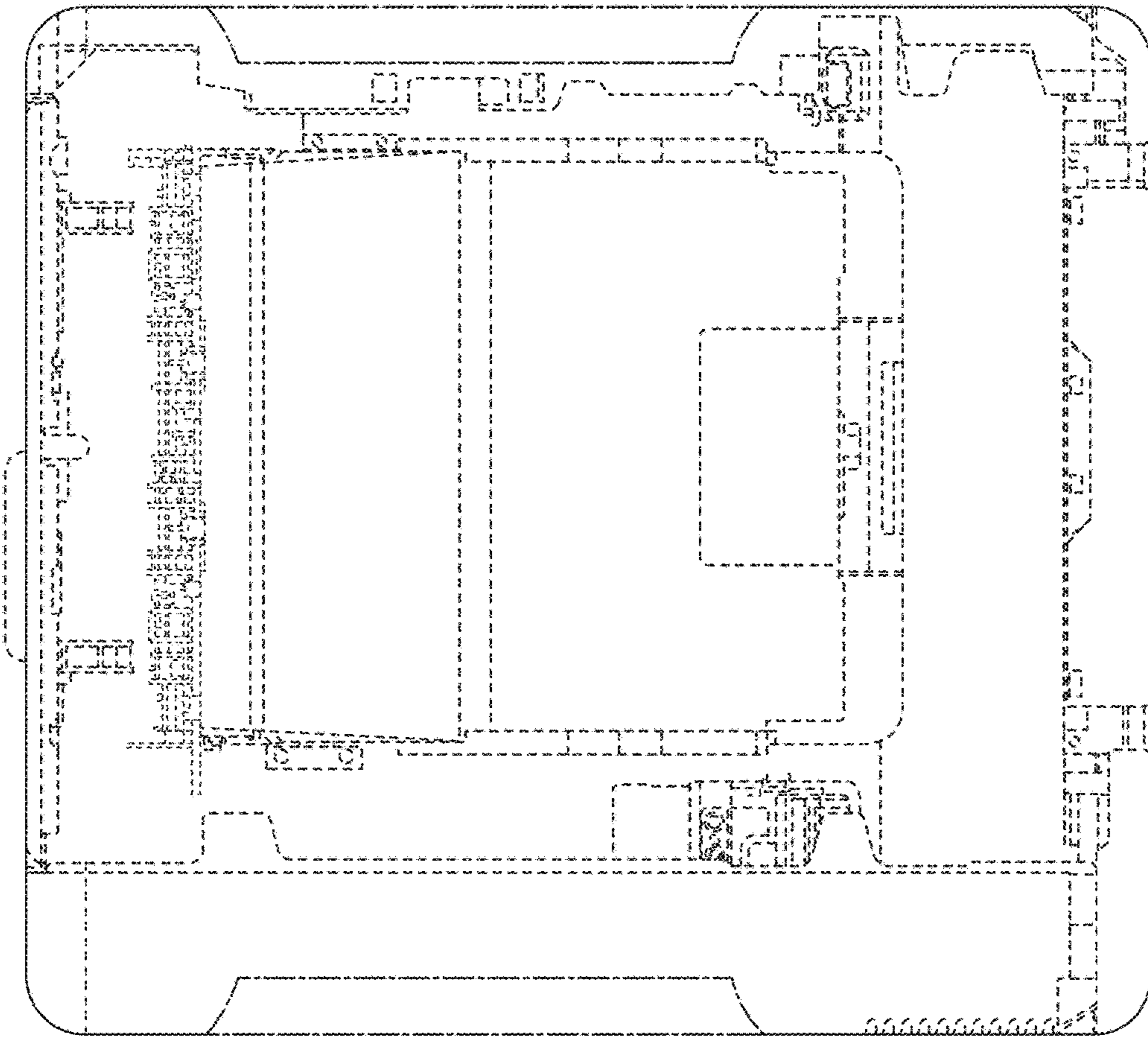


FIG. 6

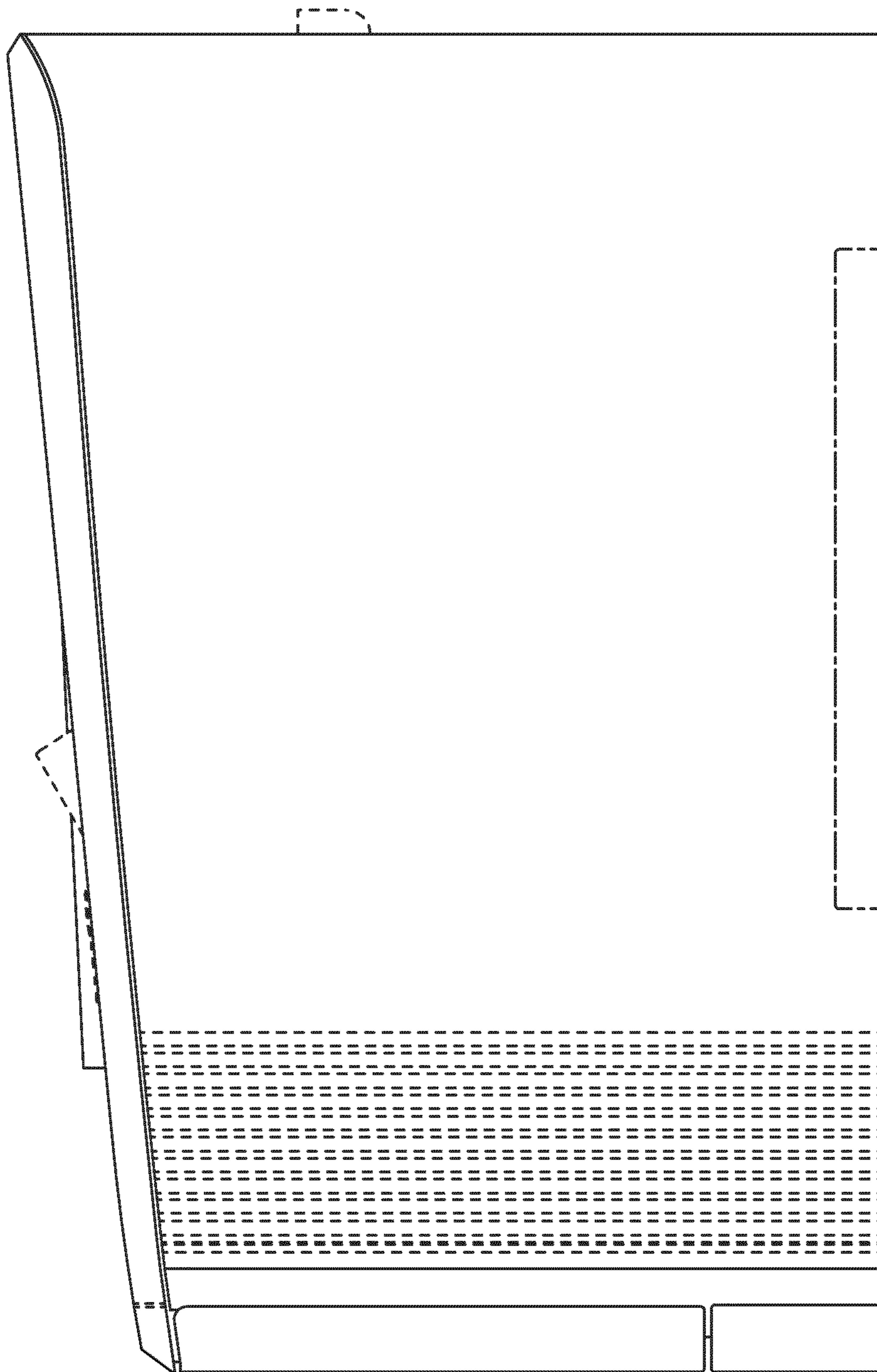


FIG. 7



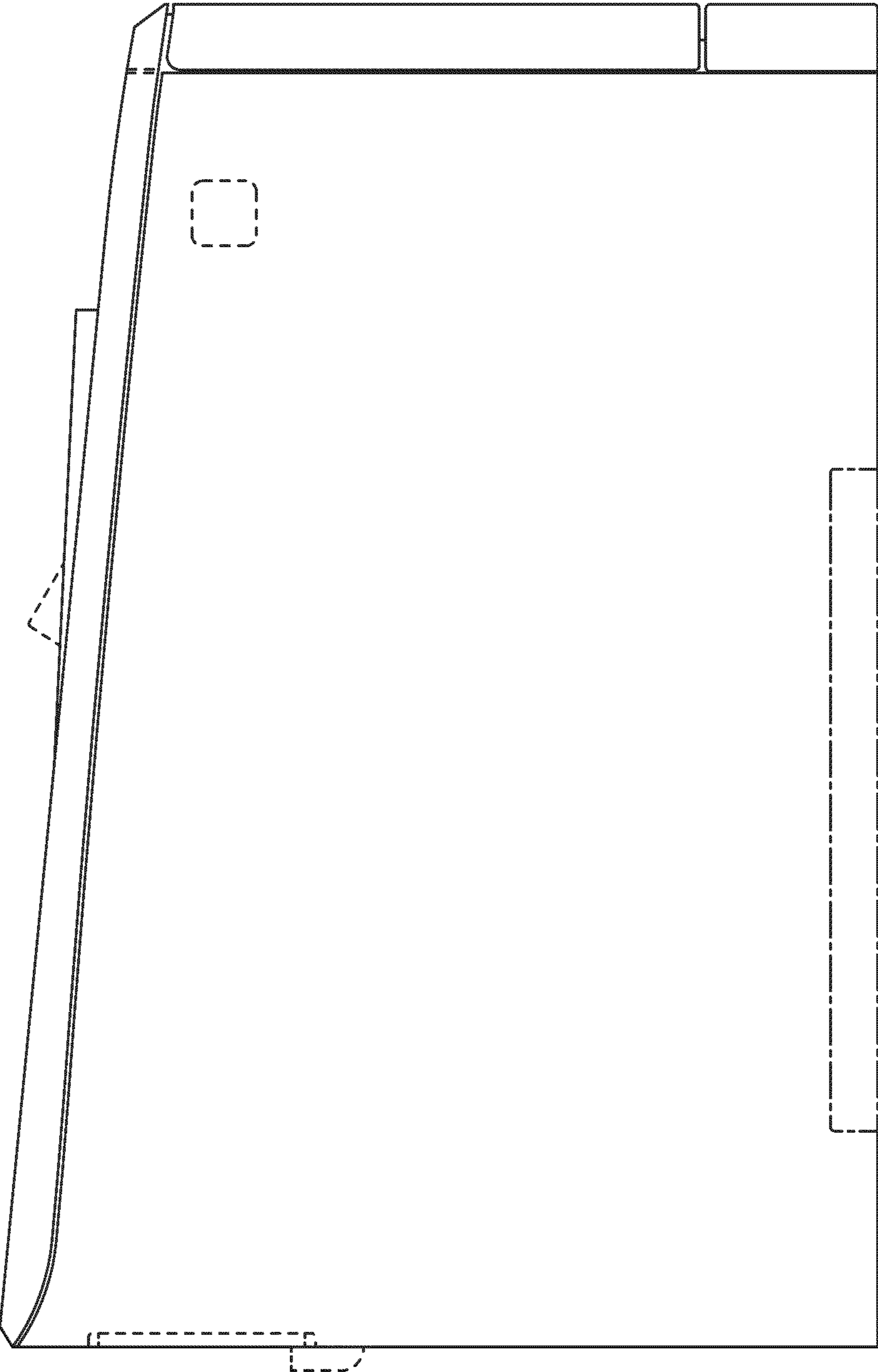


FIG. 8