



US00D850526S

(12) **United States Design Patent**
Sugiyama et al.

(10) **Patent No.:** **US D850,526 S**

(45) **Date of Patent:** **** Jun. 4, 2019**

(54) **ROLLER STAMP**

(71) Applicant: **PLUS CORPORATION**, Minato-ku,
Tokyo (JP)

(72) Inventors: **Jin Sugiyama**, Tokyo (JP); **Ryota Yokoto**, Tokyo (JP); **Atsushi Tsukamoto**, Tokyo (JP); **Hayato Horie**, Tokyo (JP)

(73) Assignee: **Plus Corporation**, Tokyo (JP)

(**) Term: **15 Years**

(21) Appl. No.: **29/630,820**

(22) Filed: **Dec. 22, 2017**

(30) **Foreign Application Priority Data**

Jul. 3, 2017 (JP) 2017-014299

(51) **LOC (11) Cl.** **19-02**

(52) **U.S. Cl.**
USPC **D18/15**

(58) **Field of Classification Search**
USPC D18/15, 16, 17, 18, 50; D19/65-68, 70,
D19/71

(Continued)

(56) **References Cited**

U.S. PATENT DOCUMENTS

D178,686 S * 9/1956 Mitchell D18/15
D339,819 S * 9/1993 Chen D18/15

(Continued)

FOREIGN PATENT DOCUMENTS

FR 2307660 A1 * 11/1976 B41K 1/02
JP 2013233777 A * 11/2013 B41F 17/006
KR 300659831.0000 * 9/2012

OTHER PUBLICATIONS

DHgate. Link: <https://www.dhgate.com/product/wholesale-protect-id-black-out-stamps-identity/404761678.html>. Oct. 27, 2017. Identity Theft Protection Stamp. (Year: 2017).*

Primary Examiner — Susan Bennett Hattan
Assistant Examiner — Lauren D McVey
(74) *Attorney, Agent, or Firm* — The Marbury Law Group, PLLC

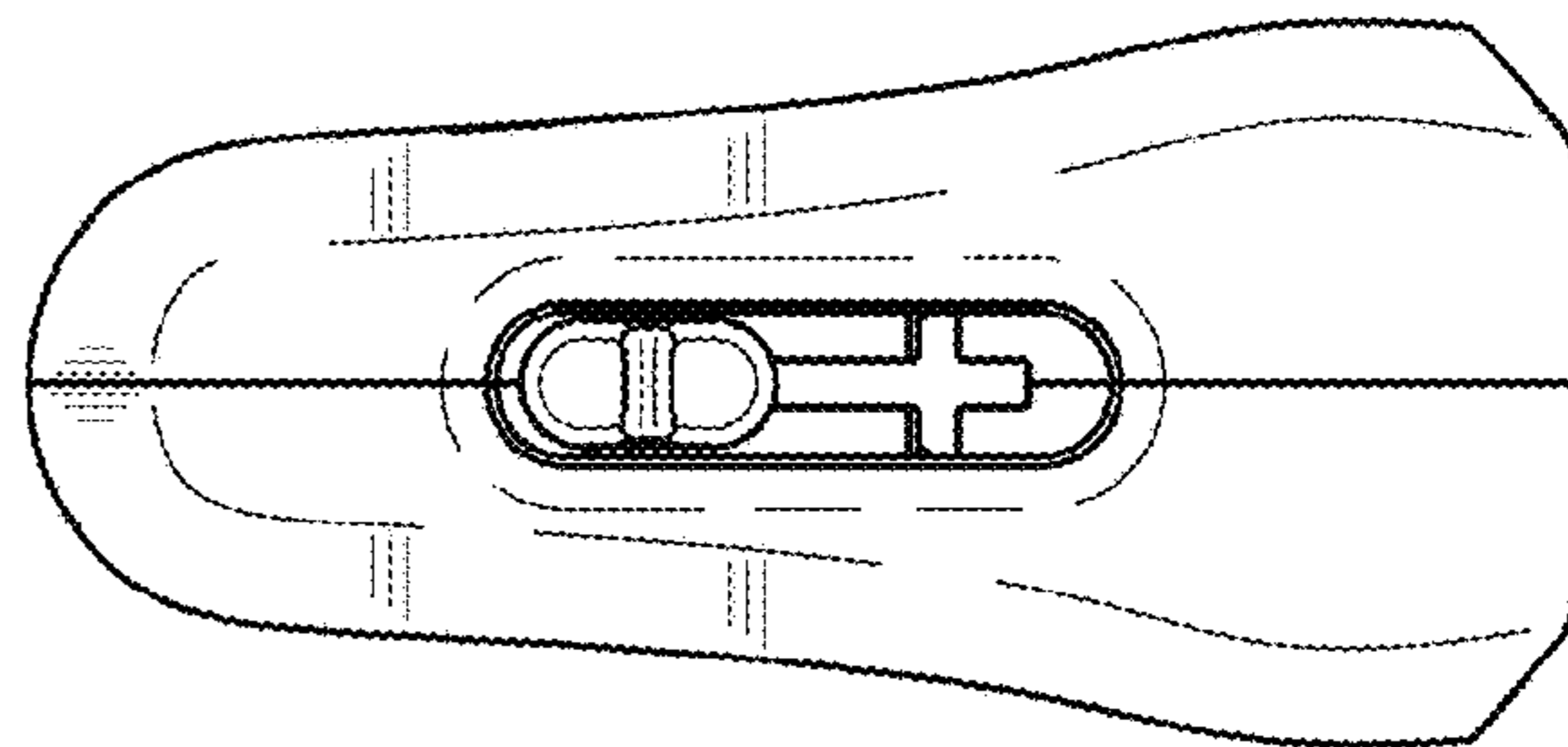
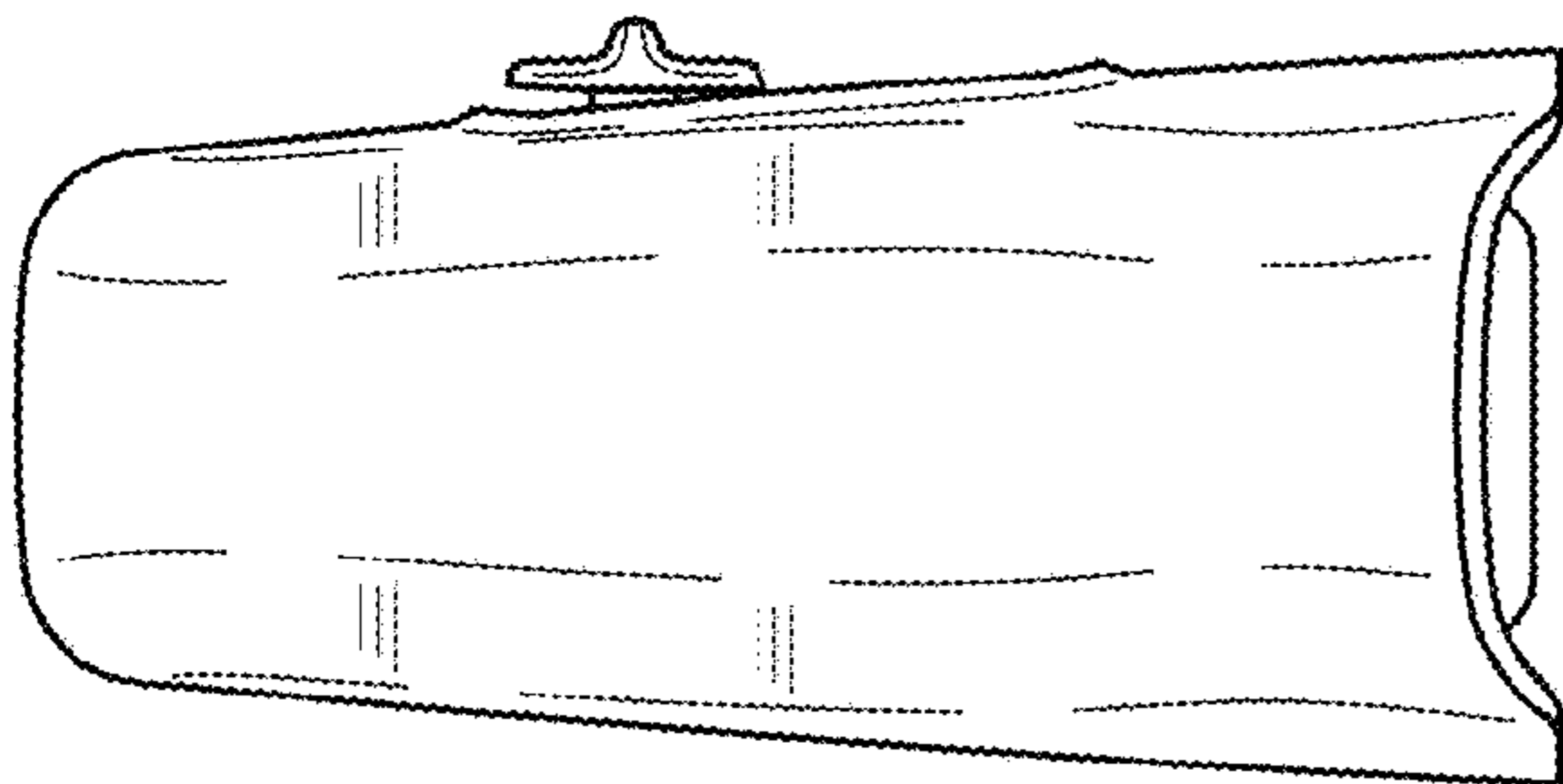
(57) **CLAIM**

The ornamental design for a roller stamp, as shown and described.

DESCRIPTION

FIG. 1 is a front side elevation view of the roller stamp, showing our new design with the roller retracted; FIG. 2 is a rear side elevation view of the roller stamp with the roller retracted; FIG. 3 is a left side elevation view of the roller stamp with the roller retracted; FIG. 4 is a right side elevation view of the roller stamp with the roller retracted; FIG. 5 is a top view of the roller stamp; FIG. 6 is a bottom plan view of the roller stamp with the roller retracted; FIG. 7 is a front side perspective view of the roller stamp with the roller retracted; FIG. 8 is a rear side perspective view of the roller stamp with the roller retracted; FIG. 9 is a front side elevation view of the roller stamp with the roller protruded; FIG. 10 is a left side elevation view of the roller stamp with the roller protruded; FIG. 11 is a right side elevation view of the roller stamp with the roller protruded; FIG. 12 is a bottom plan view of the roller stamp with the roller protruded; FIG. 13 is a front side perspective view of the roller stamp with the roller protruded. FIG. 14 is a rear side perspective view of the roller stamp with the roller protruded; and, FIG. 15 is a rear side elevation view of the roller stamp with the roller protruded.

(Continued)



The broken lines in the drawings illustrate portions of the roller stamp which form no part of the claimed design.

1 Claim, 15 Drawing Sheets

(58) Field of Classification Search

CPC . B41J 2/1752; B41J 3/36; B41J 29/023; B41J 2/17526; B41J 3/28; B41K 1/00; B41K 1/38; B41K 1/006; B41K 1/02; B41K 1/08; B41K 1/40; B41K 1/42; B41K 1/52; B41K 1/54; B41K 1/56; B41K 1/36; B23K 26/00; B23K 26/10; B41C 3/04; B41D 7/00

See application file for complete search history.

(56) References Cited

U.S. PATENT DOCUMENTS

D377,500	S	*	1/1997	Kida	D18/15
D422,636	S	*	4/2000	Smith	D19/67
D475,744	S	*	6/2003	De Man	D19/67
D614,688	S	*	4/2010	Wilflingseder	D18/15
D620,972	S	*	8/2010	Kida	D18/15
D668,713	S	*	10/2012	Kitamura	D18/15
D679,317	S	*	4/2013	Ono	D18/15
D685,956	S	*	7/2013	Zhu	D30/153
D750,157	S	*	2/2016	Ahn	D18/15
D757,847	S	*	5/2016	Matsushita	D18/15
2013/0298789	A1	*	11/2013	Soma	B41F 17/006 101/375

* cited by examiner

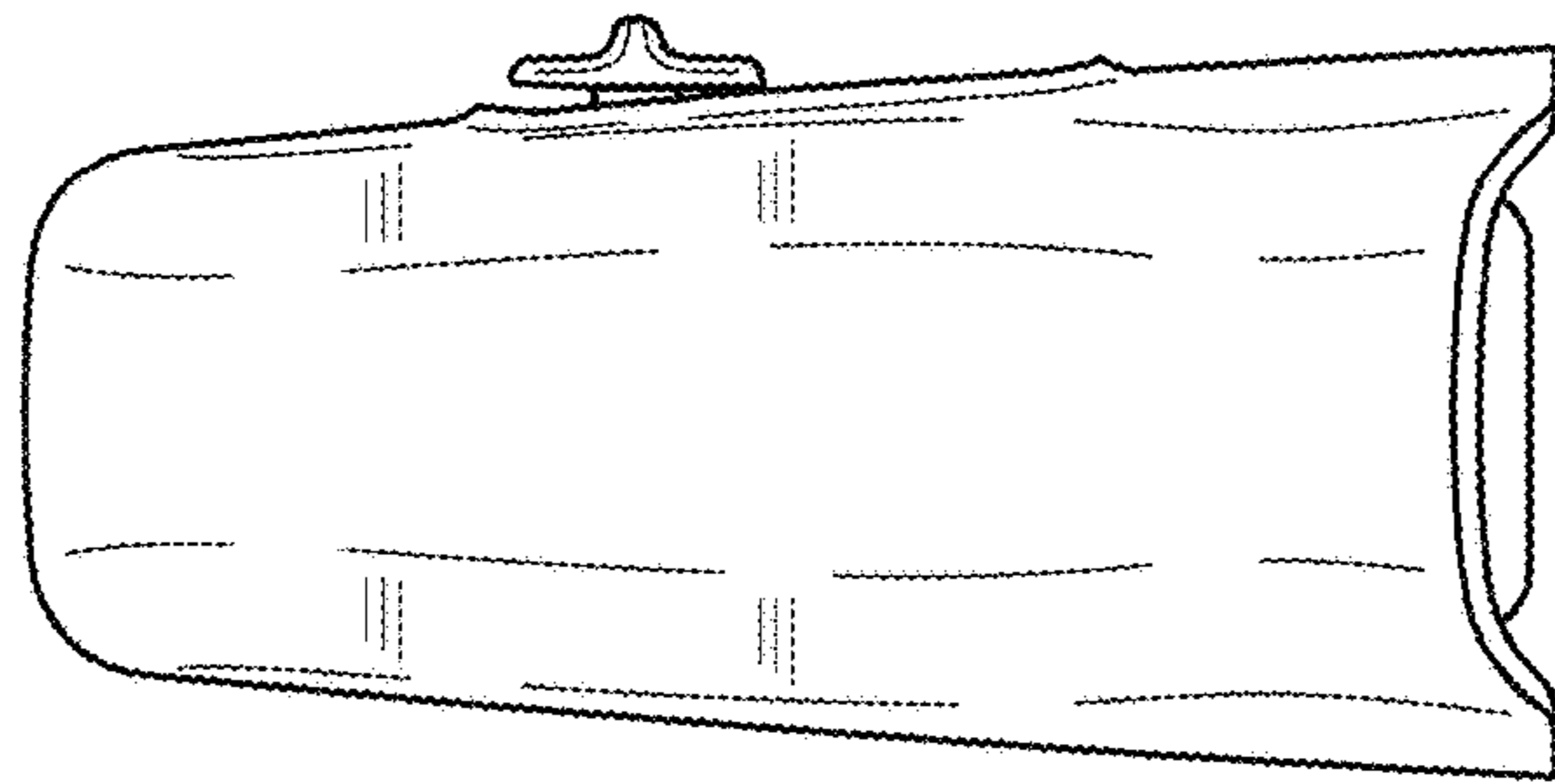


FIG.1

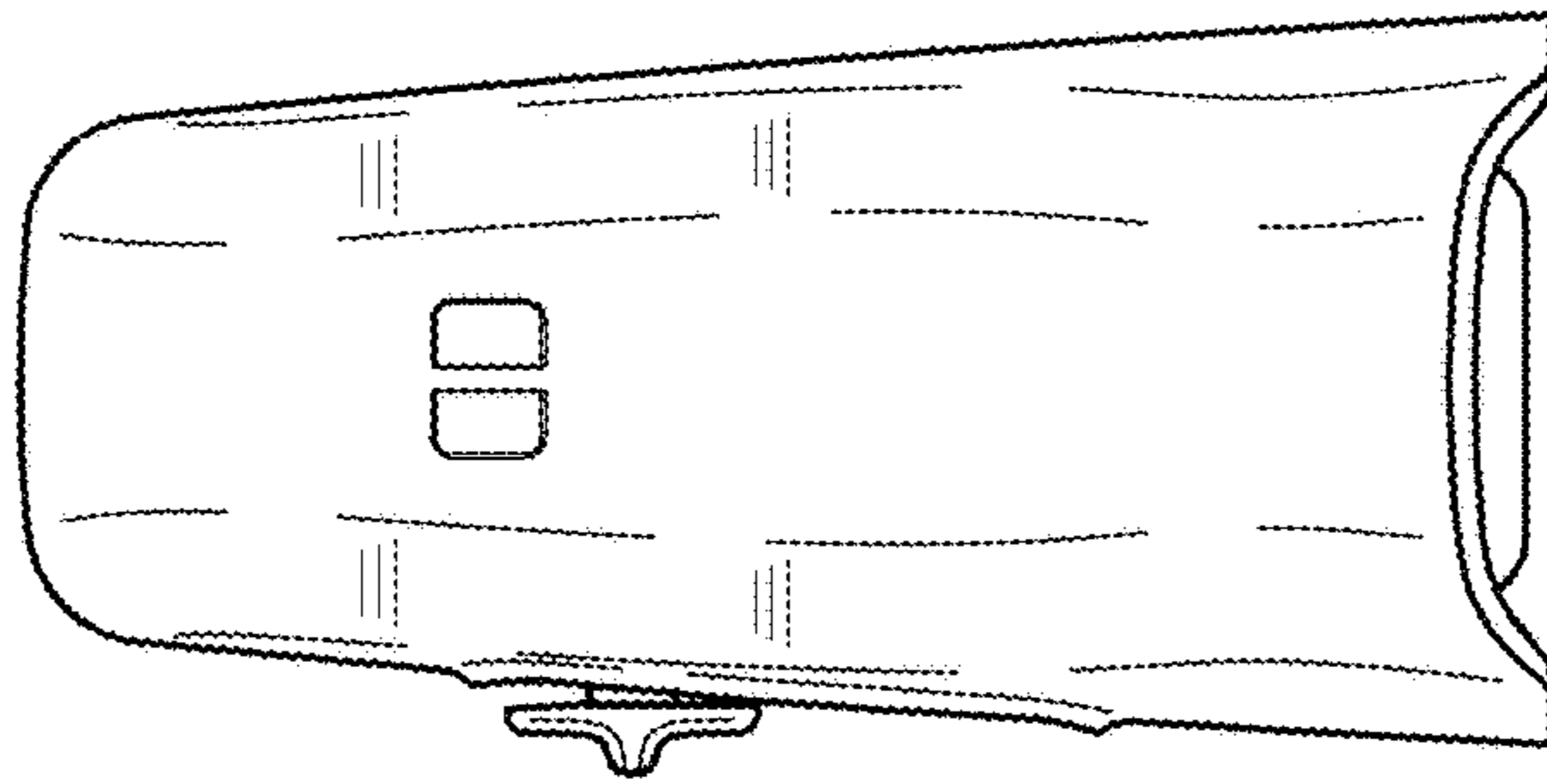


FIG.2

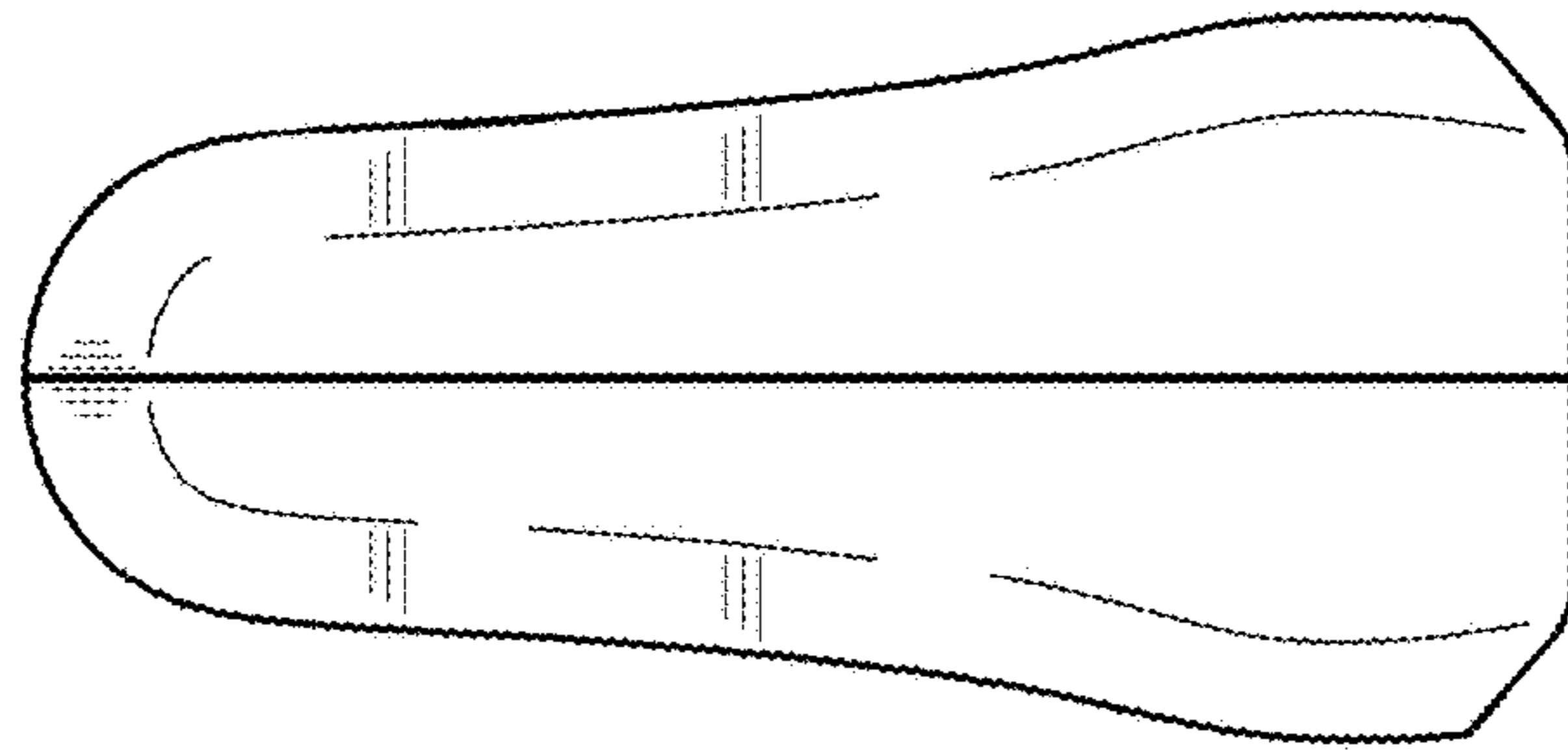


FIG.3

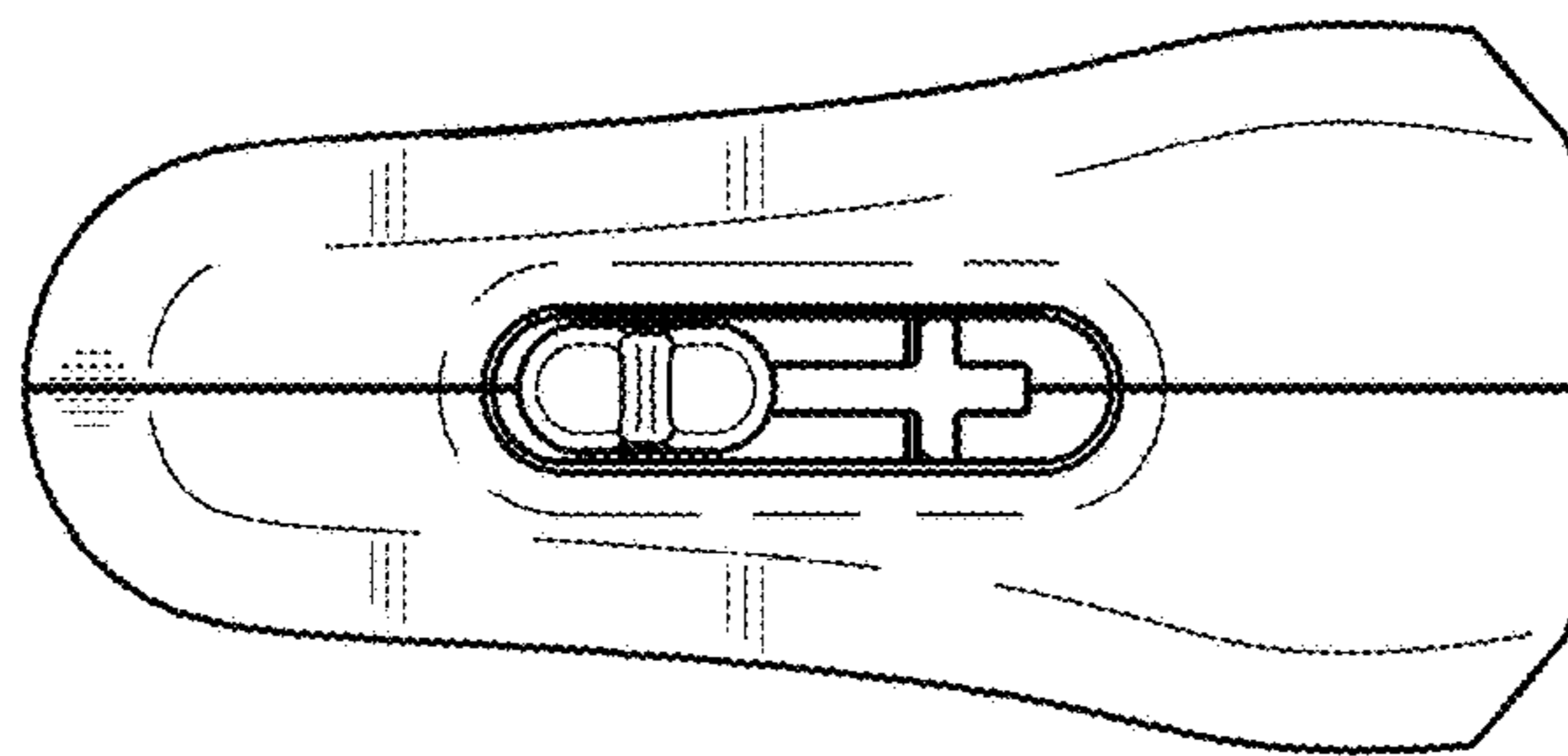


FIG.4

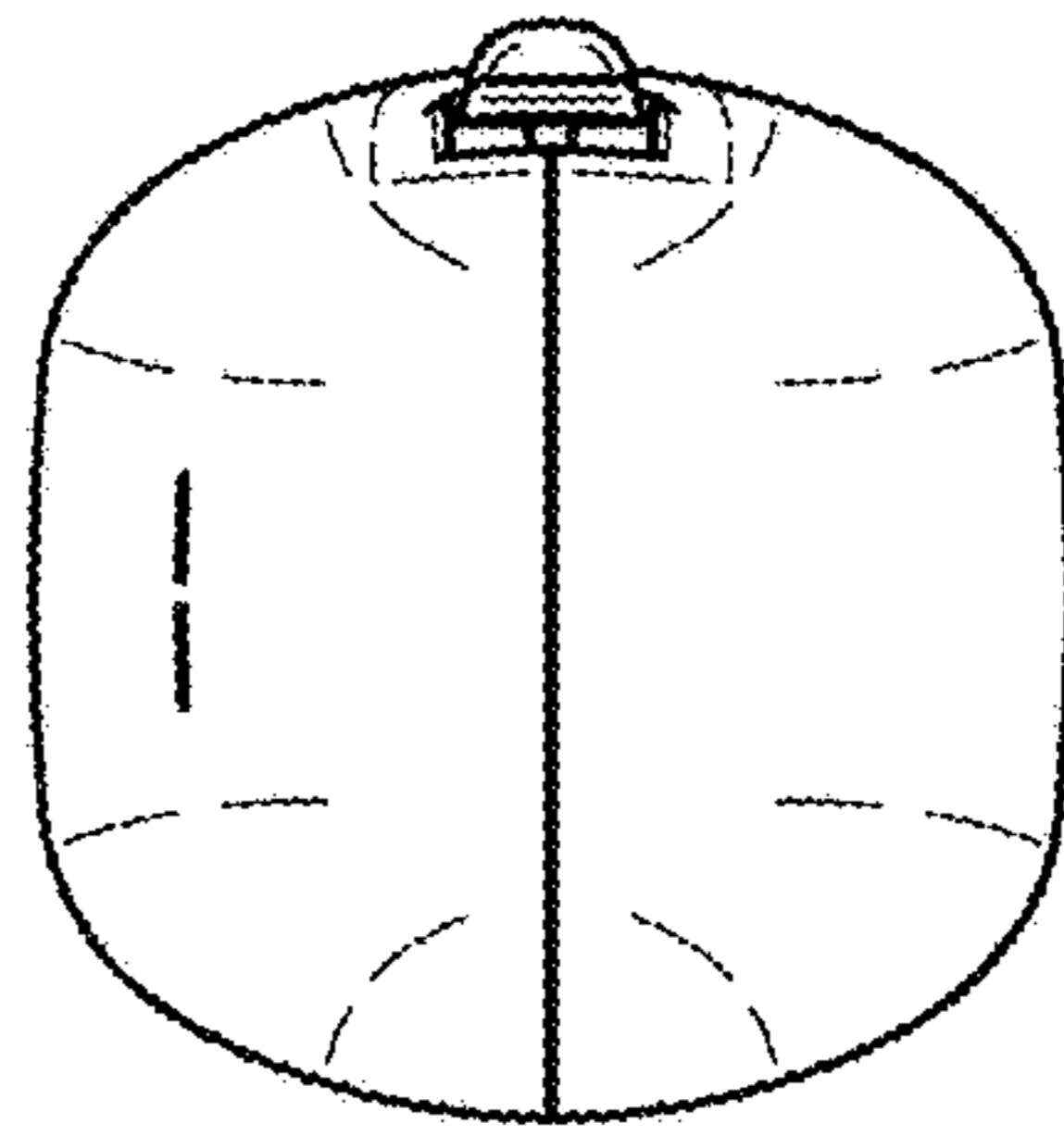


FIG.5

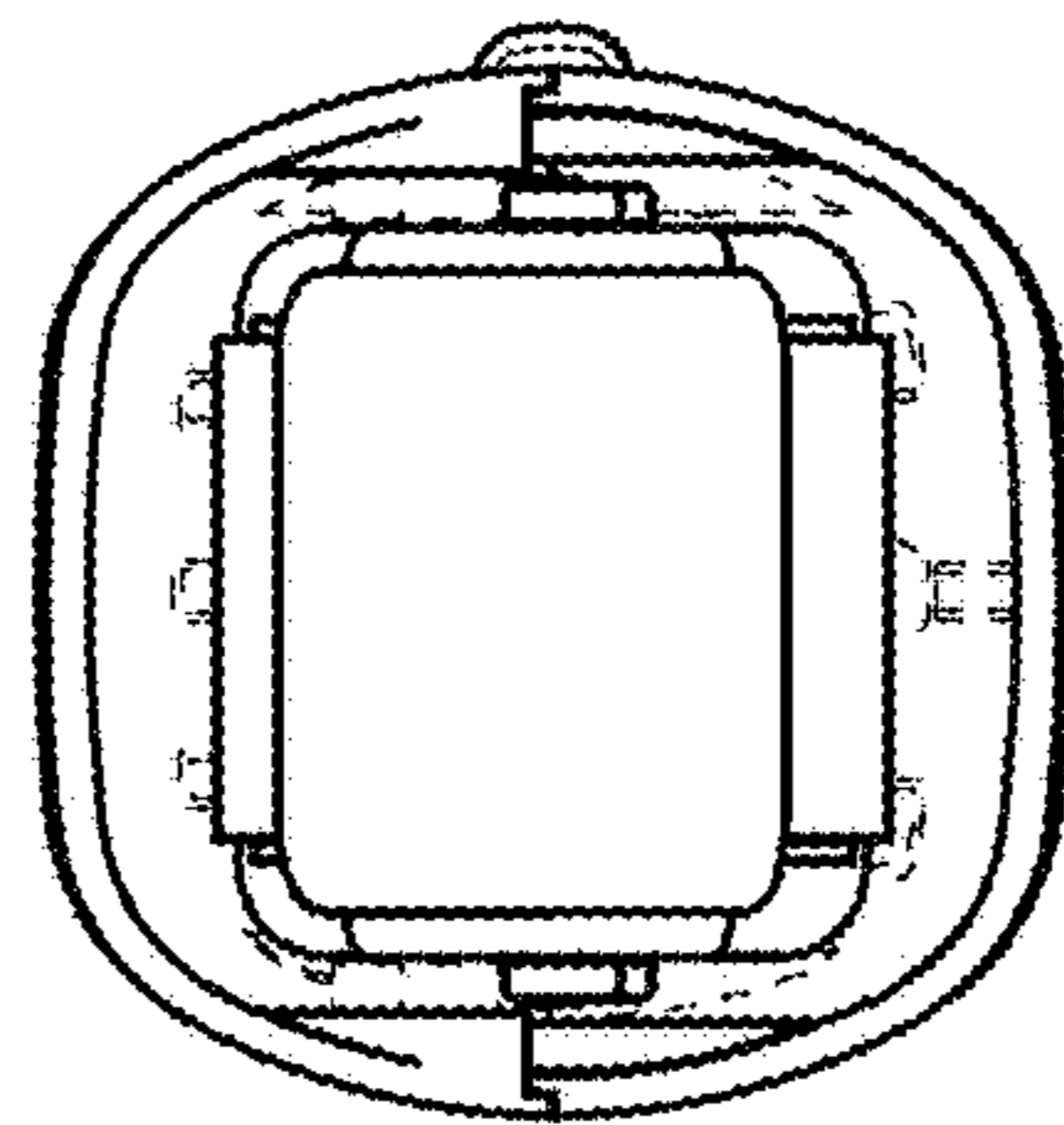


FIG.6

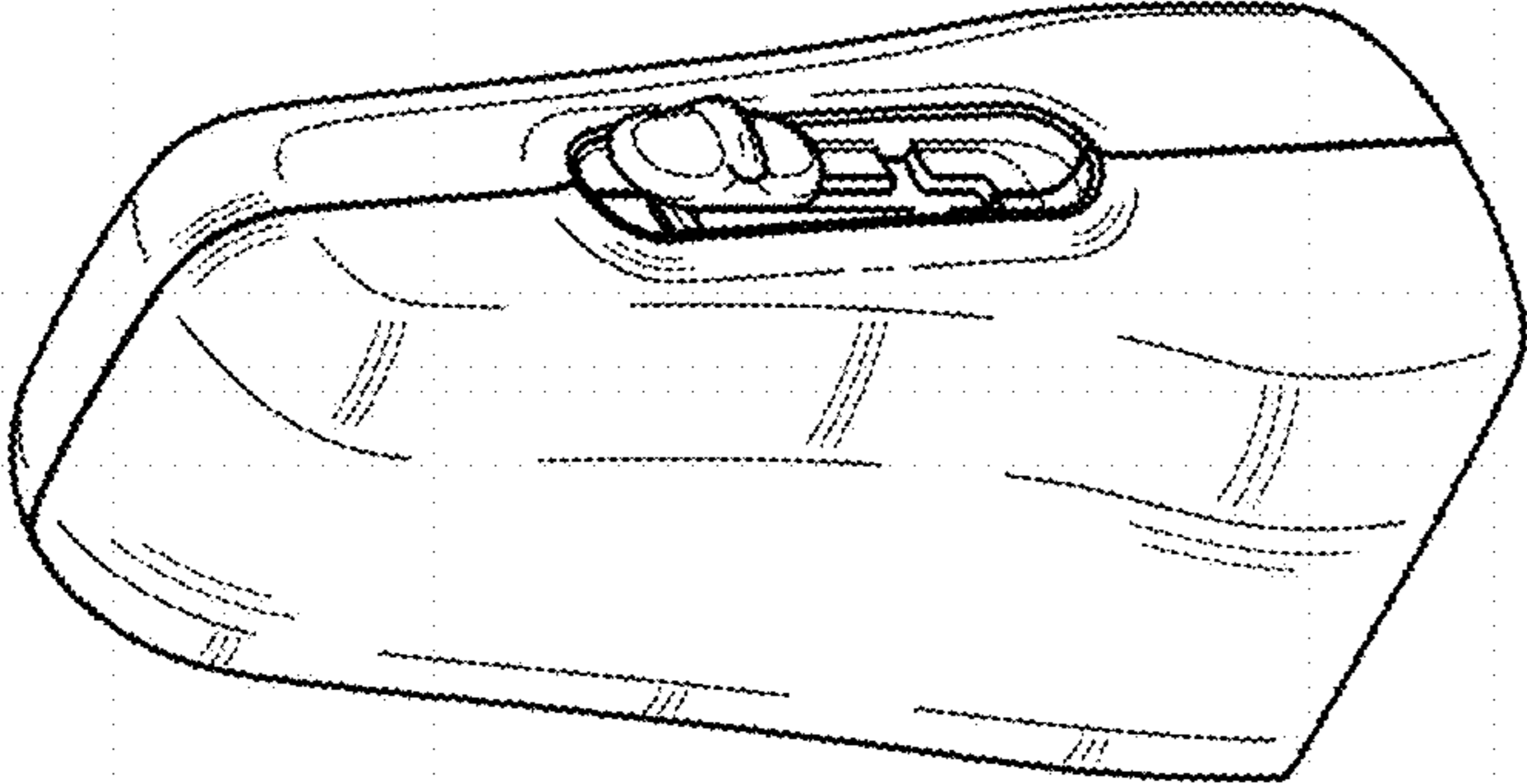


FIG. 7

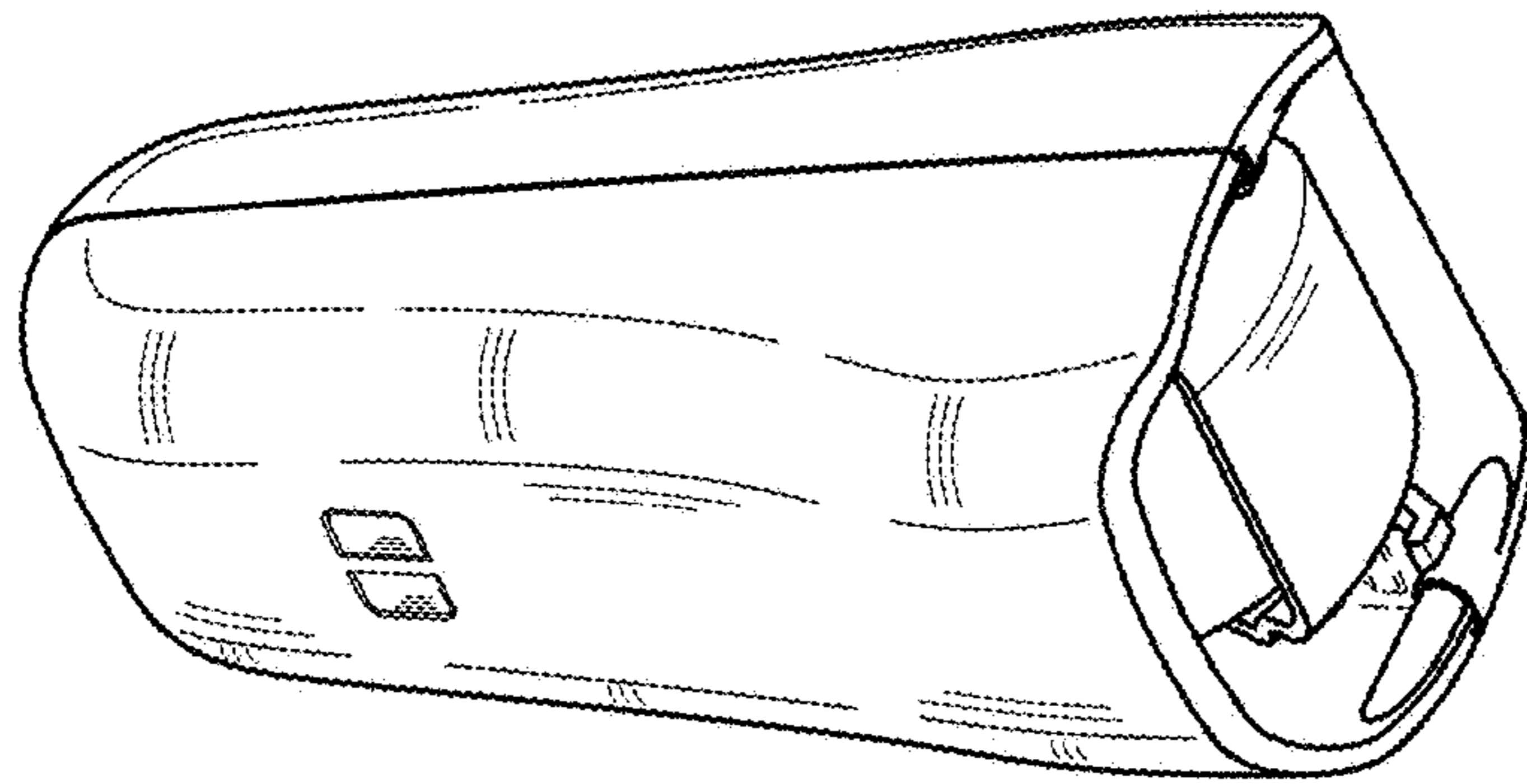


FIG.8

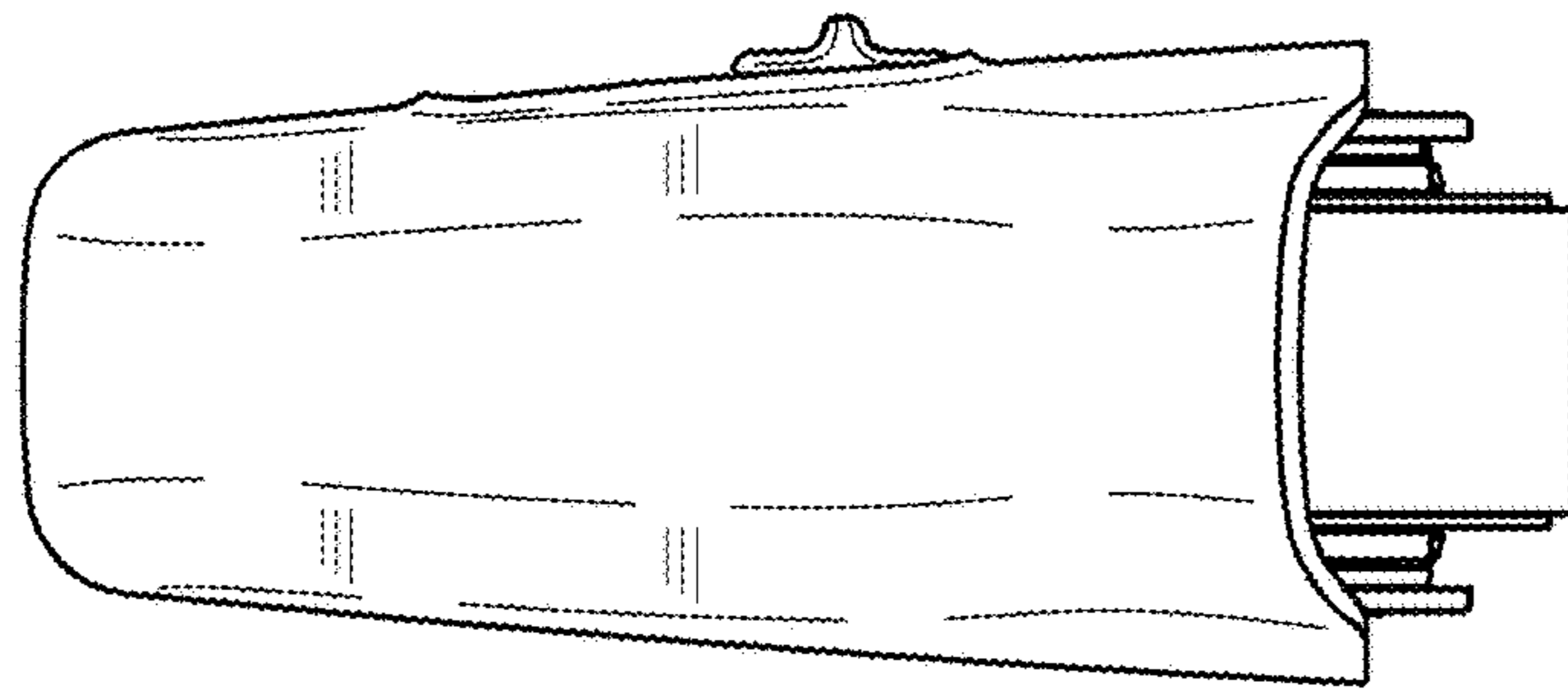


FIG.9

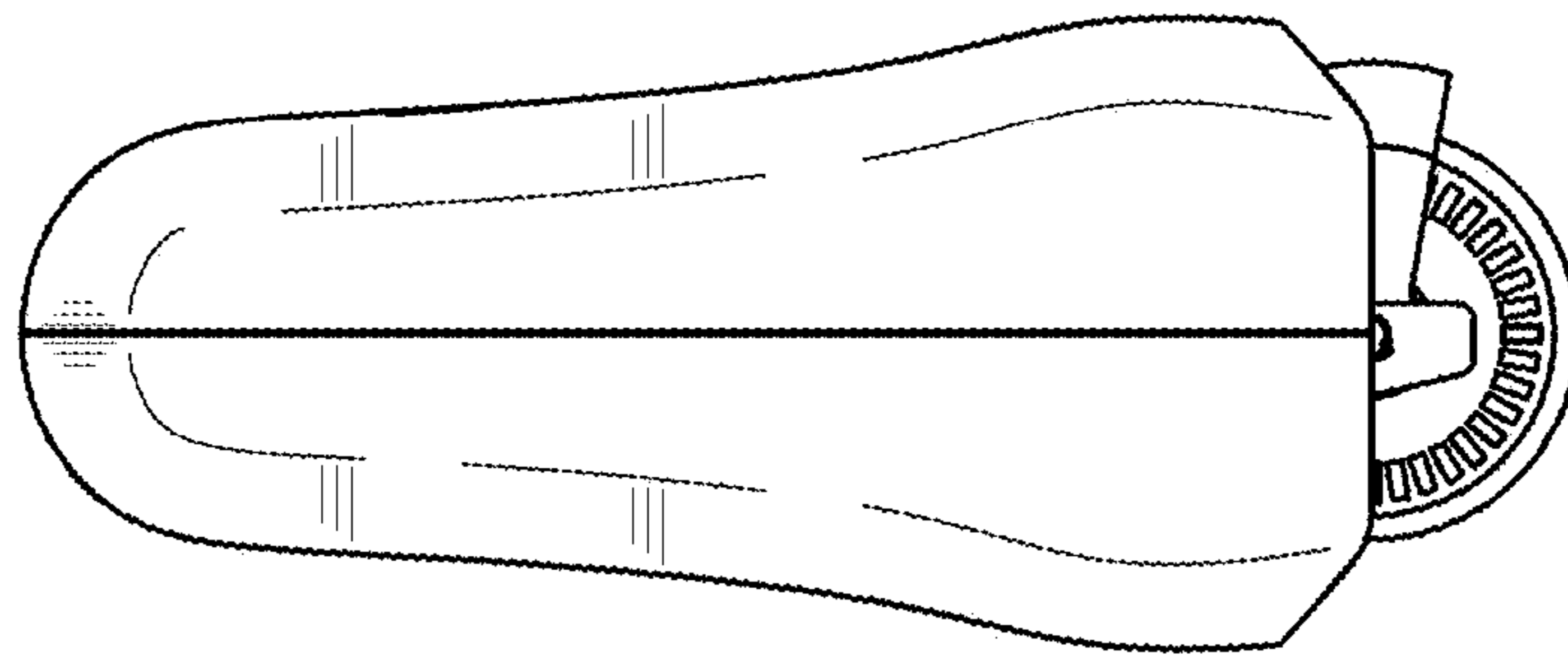


FIG.10

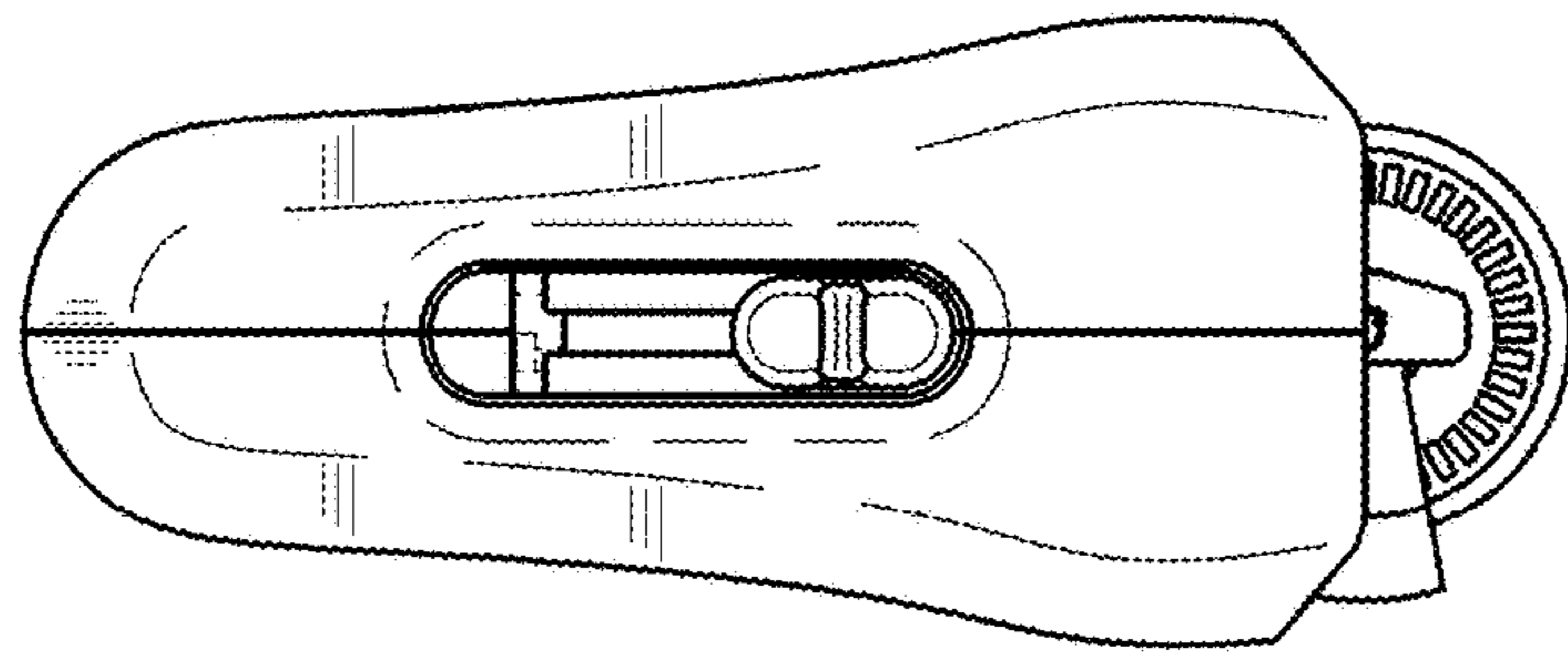


FIG.11

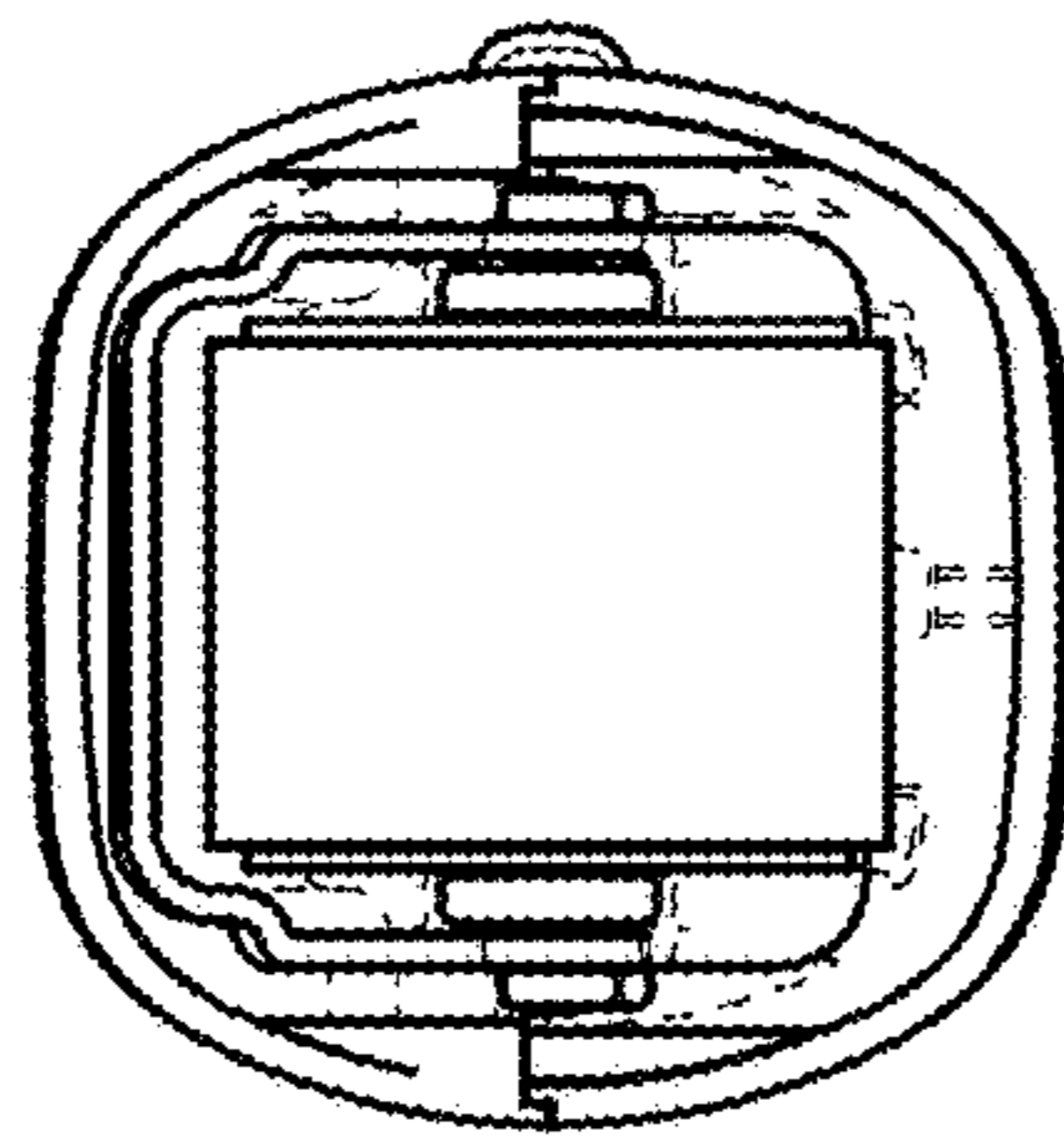


FIG.12

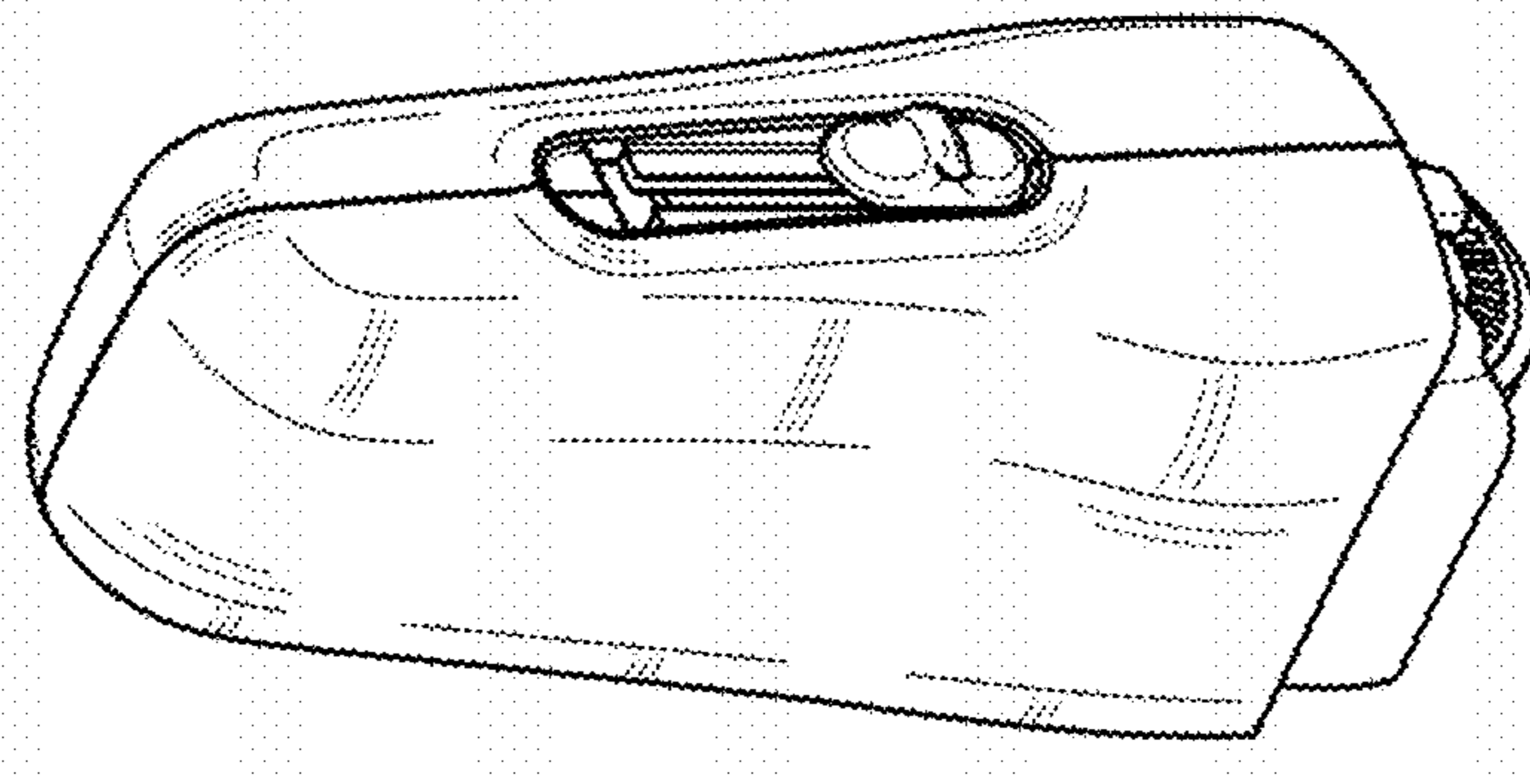


FIG. 13

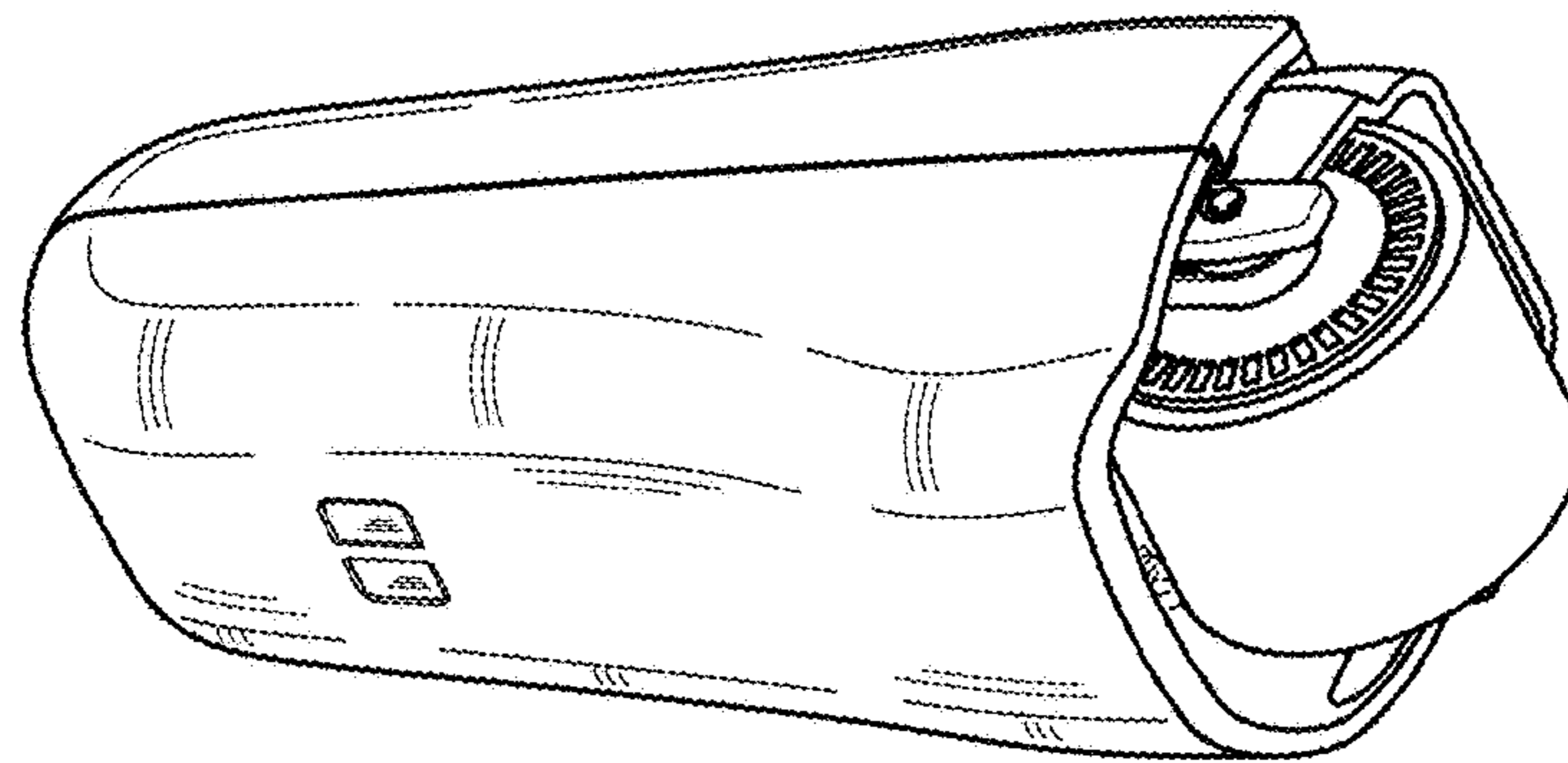


FIG.14

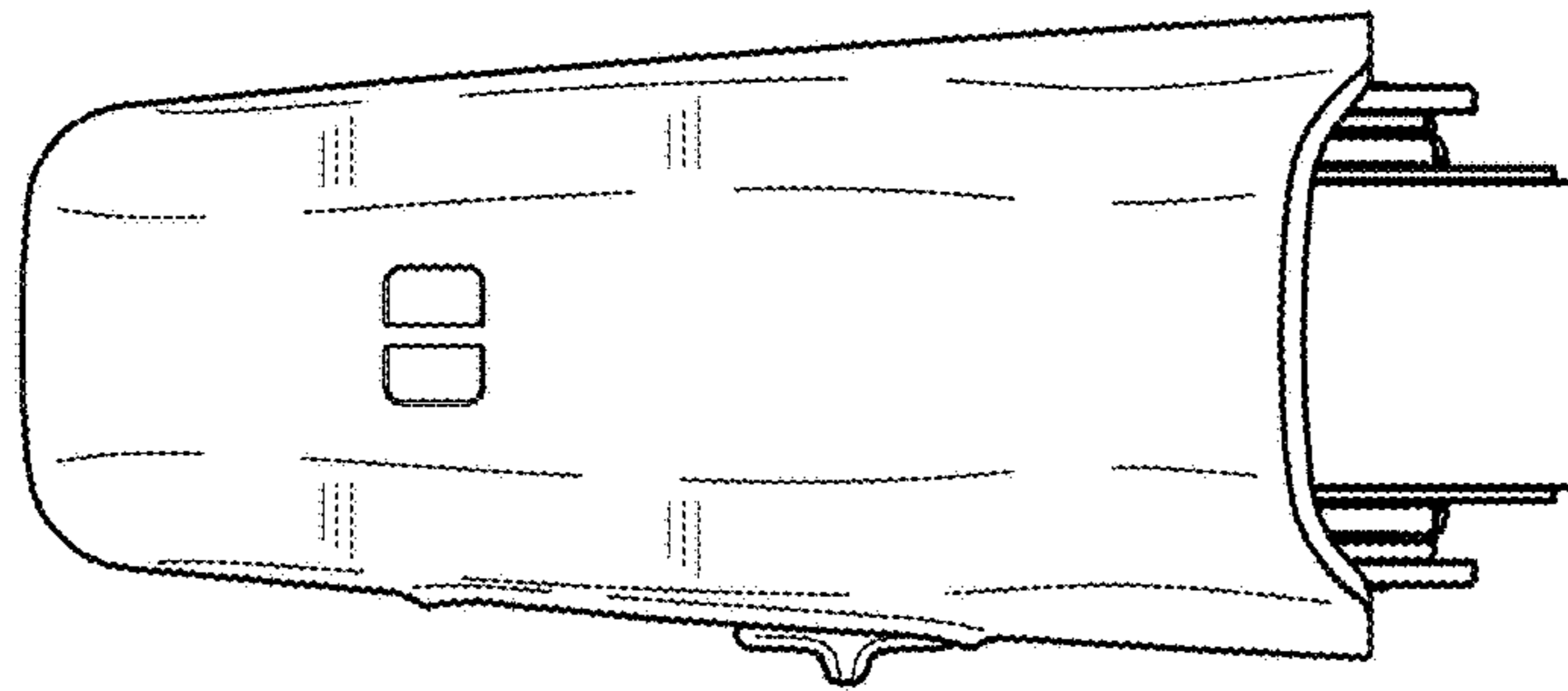


FIG.15