



US00D850525S

(12) **United States Design Patent**
Eun

(10) **Patent No.:** **US D850,525 S**
(45) **Date of Patent:** **** Jun. 4, 2019**

- (54) **POINT-OF-SALES REGISTER**
- (71) Applicant: **POSBANK CO., LTD.**, Seoul (KR)
- (72) Inventor: **Dong Uk Eun**, Gyeonggi-do (KR)
- (73) Assignee: **POSBANK CO., LTD.**, Seoul (KR)
- (**) Term: **15 Years**

- (21) Appl. No.: **29/613,124**
- (22) Filed: **Aug. 8, 2017**

(30) **Foreign Application Priority Data**

Jun. 12, 2017 (KR) 30-2017-0026601

- (51) **LOC (11) Cl.** **18-01**
- (52) **U.S. Cl.**
USPC **D18/4.6**

(58) **Field of Classification Search**

USPC D18/4.4, 4.5, 4.6, 2, 11, 50, 14, 19-21,
D18/54, 99, 12, 12.3, 4.1, 4.3; D14/300,
D14/307, 338, 339, 341, 356, 357, 383,
D14/385, 386, 388, 426, 453-455, 496,
D14/507, 509, 510, 154, 155, 158, 168,
D14/218, 225, 226, 248, 299, 314, 328,
D14/332, 335, 900, 902, 389, 390, 447,
D14/457, 253, 336; D10/46, 61, 62, 70,
D10/104.1, 104.2, 106.2, 106.6, 65, 66;
D20/1; D24/186; D13/162, 162.1, 163
CPC H04W 8/22; H04W 52/0225; H04W
52/0254; G06Q 20/00; G06Q 20/08;
G06Q 20/20; G07F 7/0873; G07F 7/088;
G07G 1/0009; G07G 1/0018

See application file for complete search history.

(56) **References Cited**

U.S. PATENT DOCUMENTS

- D410,441 S * 6/1999 Lin D14/314
- D536,794 S * 2/2007 Knieriem D24/186
- D536,795 S * 2/2007 Knieriem D24/186

- D570,345 S * 6/2008 Lee D14/336
- D582,974 S * 12/2008 Inoue D18/50
- D600,814 S * 9/2009 Lathrop D24/186
- D637,601 S * 5/2011 Symons D14/447
- D664,541 S * 7/2012 Kim D14/374
- D664,542 S * 7/2012 Lee D14/374

(Continued)

OTHER PUBLICATIONS

DCR Posbank. eurocis.com. (online img) 1 pg. Design Winner 2017 [Retrieved on Apr. 24, 2018] <https://www.eurocis.com/vis-content/event-eurocis2018/exh-eurocis2018.2544208/EuroCIS-2018-Posbank-Co.-Ltd.-Image-eurocis2018.2544208-fJmUn3qfSjagC30XXvvLSA-image.png>*

(Continued)

Primary Examiner — Marie D. Fast Horse

(74) *Attorney, Agent, or Firm* — Marshall, Gerstein & Borun LLP

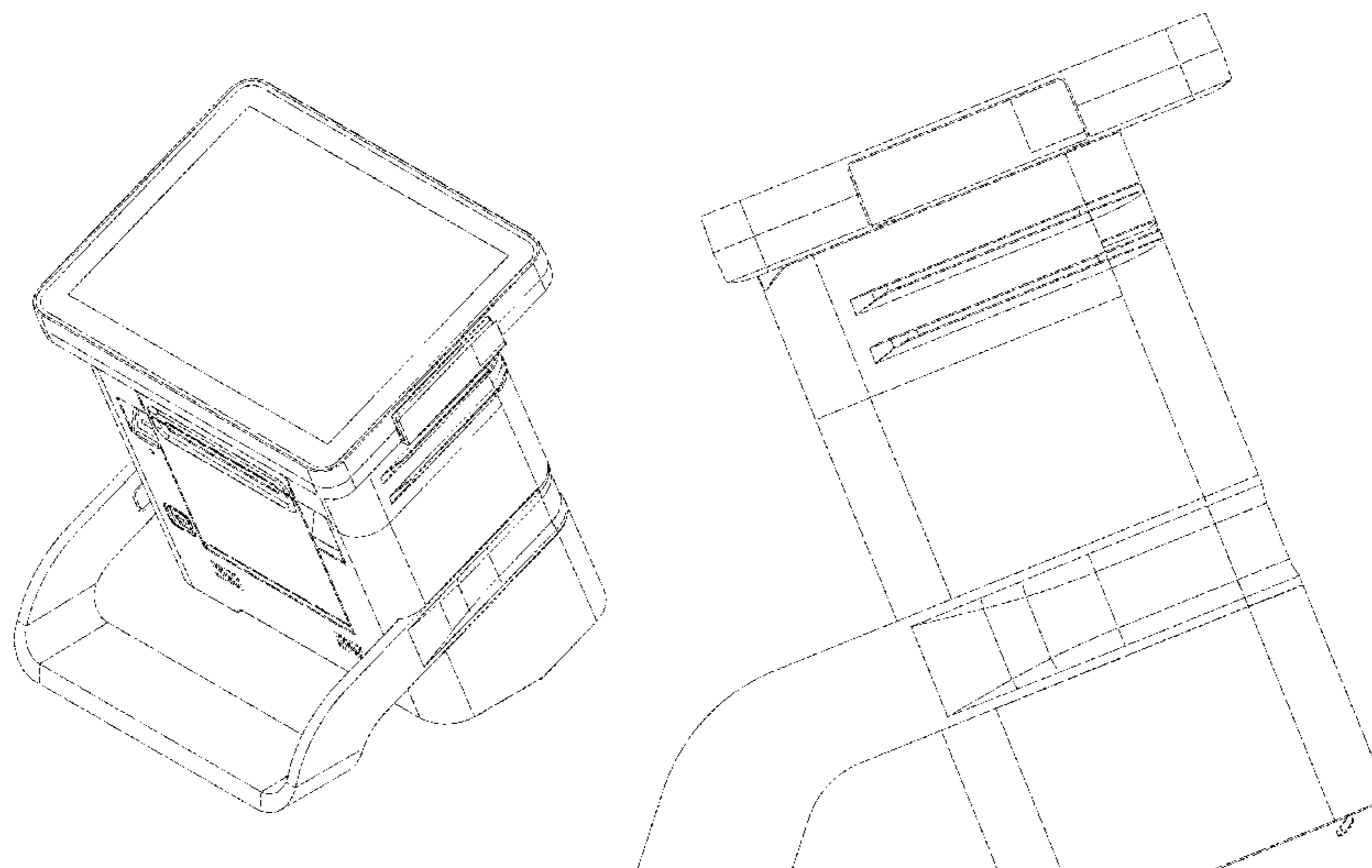
(57) **CLAIM**

The ornamental design for a point-of-sales register, as shown and described.

DESCRIPTION

FIG. 1 is an orthographic front, top, and right-side view of a point-of-sales register, showing the new design;
 FIG. 2 is a top plan view of the point-of-sales register;
 FIG. 3 is a front elevation view of the point-of-sales register;
 FIG. 4 is a right-side elevation view of the point-of-sales register;
 FIG. 5 is a left-side elevation view of the point-of-sales register;
 FIG. 6 is a rear elevation view of the point-of-sales register;
 and,
 FIG. 7 is a bottom plan view of the point-of-sales register.
 All broken dashed and dotted lines in the drawings depict portions of the point-of-sales register that form no part of the claimed design.

1 Claim, 7 Drawing Sheets



(56)

References Cited

U.S. PATENT DOCUMENTS

D691,141 S * 10/2013 Cruz D14/307
 D702,237 S * 4/2014 Oberpriller D14/420
 D702,675 S * 4/2014 Jones D14/307
 D706,239 S * 6/2014 Chen D14/186
 D706,864 S * 6/2014 Branck D18/4.6
 D707,685 S * 6/2014 Johnson D14/447
 D708,618 S * 7/2014 Romanoff D14/422
 D711,001 S * 8/2014 Boudier D24/186
 D711,004 S * 8/2014 Chen D24/186
 D725,182 S * 3/2015 Haller D18/4.4
 D734,856 S * 7/2015 Weichert D24/186
 D741,853 S * 10/2015 Barron D18/4.4
 D747,763 S * 1/2016 Haller D18/4.5
 D763,247 S * 8/2016 Yepez D14/307
 D772,335 S * 11/2016 Mantrawadi D18/4.6
 D777,722 S * 1/2017 Murphy D14/307
 D778,982 S * 2/2017 Beatty D18/4.5
 D782,466 S * 3/2017 Yepez D14/307
 D794,640 S * 8/2017 Shigeno D14/422
 D797,744 S * 9/2017 Tan D14/422
 D798,378 S * 9/2017 Kim D18/4.6
 D800,212 S * 10/2017 Nanno D18/19
 D806,698 S * 1/2018 Thompson D14/307
 D811,384 S * 2/2018 Diasabeygunawardena
 D14/336
 2007/0038517 A1* 2/2007 Lin G07G 1/0018
 705/17

2013/0235420 A1* 9/2013 Nihashi G07G 1/0018
 358/1.15
 2013/0278057 A1* 10/2013 Fukuta G06F 1/263
 307/29
 2013/0282499 A1* 10/2013 Kato G07G 1/0018
 705/16
 2015/0025985 A1* 1/2015 Inagawa G07G 1/0018
 705/16
 2015/0149311 A1* 5/2015 Ward G07G 1/0018
 705/24
 2016/0133103 A1* 5/2016 Kanomata G07G 1/0018
 705/16
 2016/0232508 A1* 8/2016 Nishiie G07G 1/0018

OTHER PUBLICATIONS

Posbank DCR a Supercompact All-in-One POS Terminal Wins the Red Dot Design Award 2017. prweb.com. (online) 3 pgs. Posted Apr. 6, 2017. [Retrieved on Apr. 24, 2018] <http://www.prweb.com/releases/2017/04/prweb14217147.htm>.*
 Point-of-Sales Register. (Design—© Questel) orbit.com.[online PDF] 10 pgs. Publish Dates range from Sep. 22, 2016 to Aug. 14, 2017. [Retrieved on Apr. 25, 2018] <https://sobjprd.questel.fr/export/QPTUJ214/pdf2/e75a016e-8823-458c-b77e-dfd7303ad2b8-193724.pdf>.*

* cited by examiner



FIG. 1

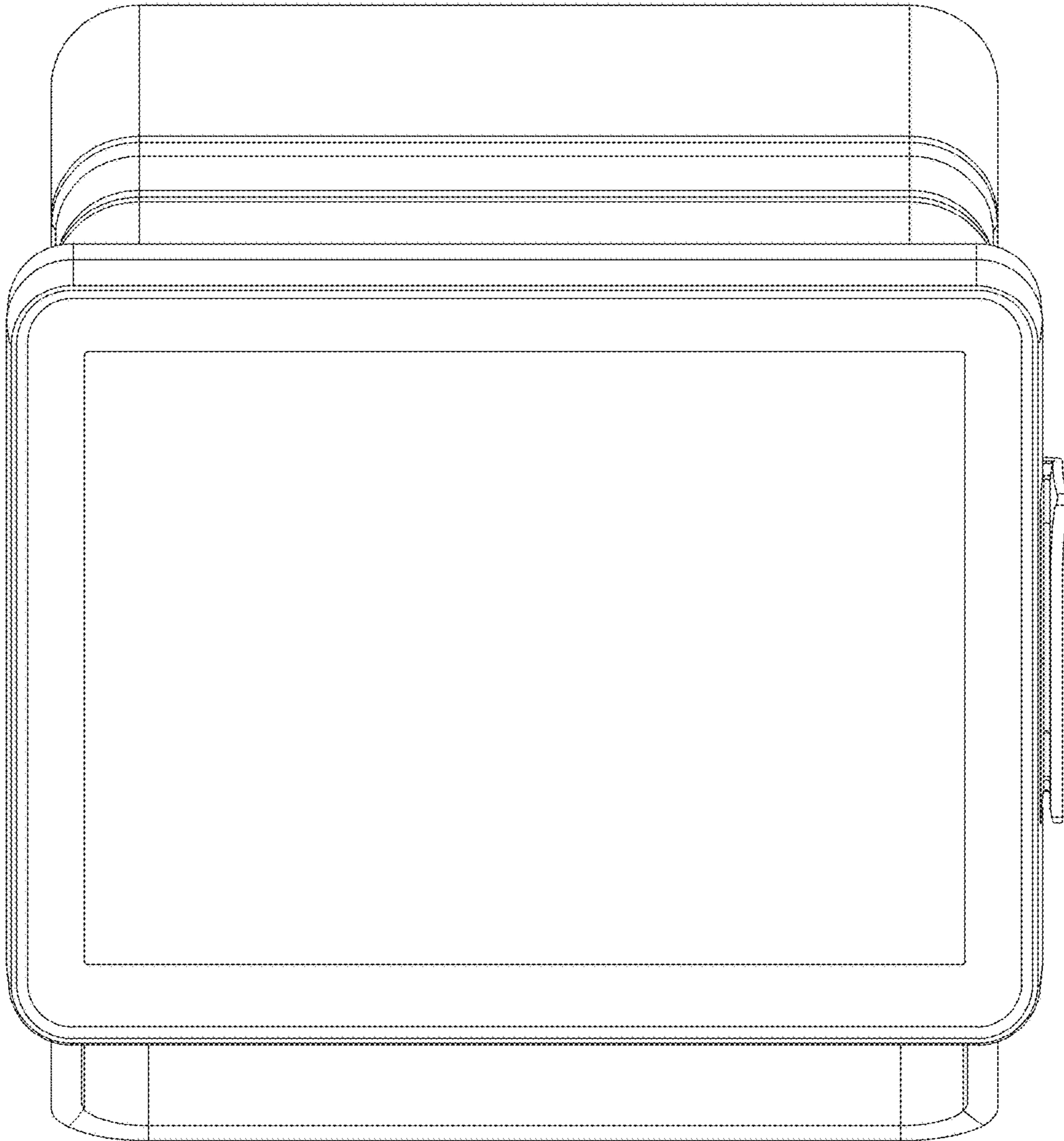


FIG. 2

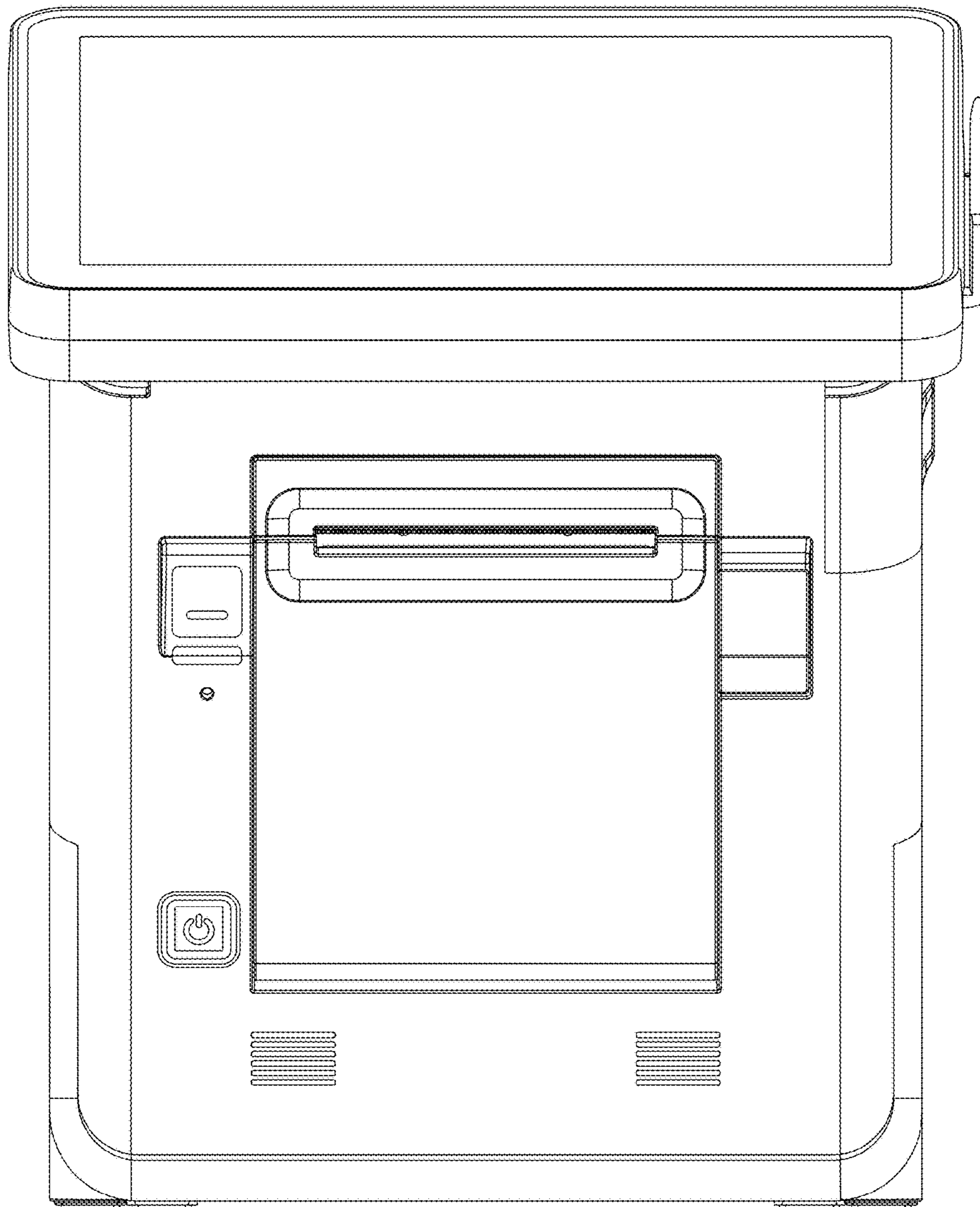


FIG. 3

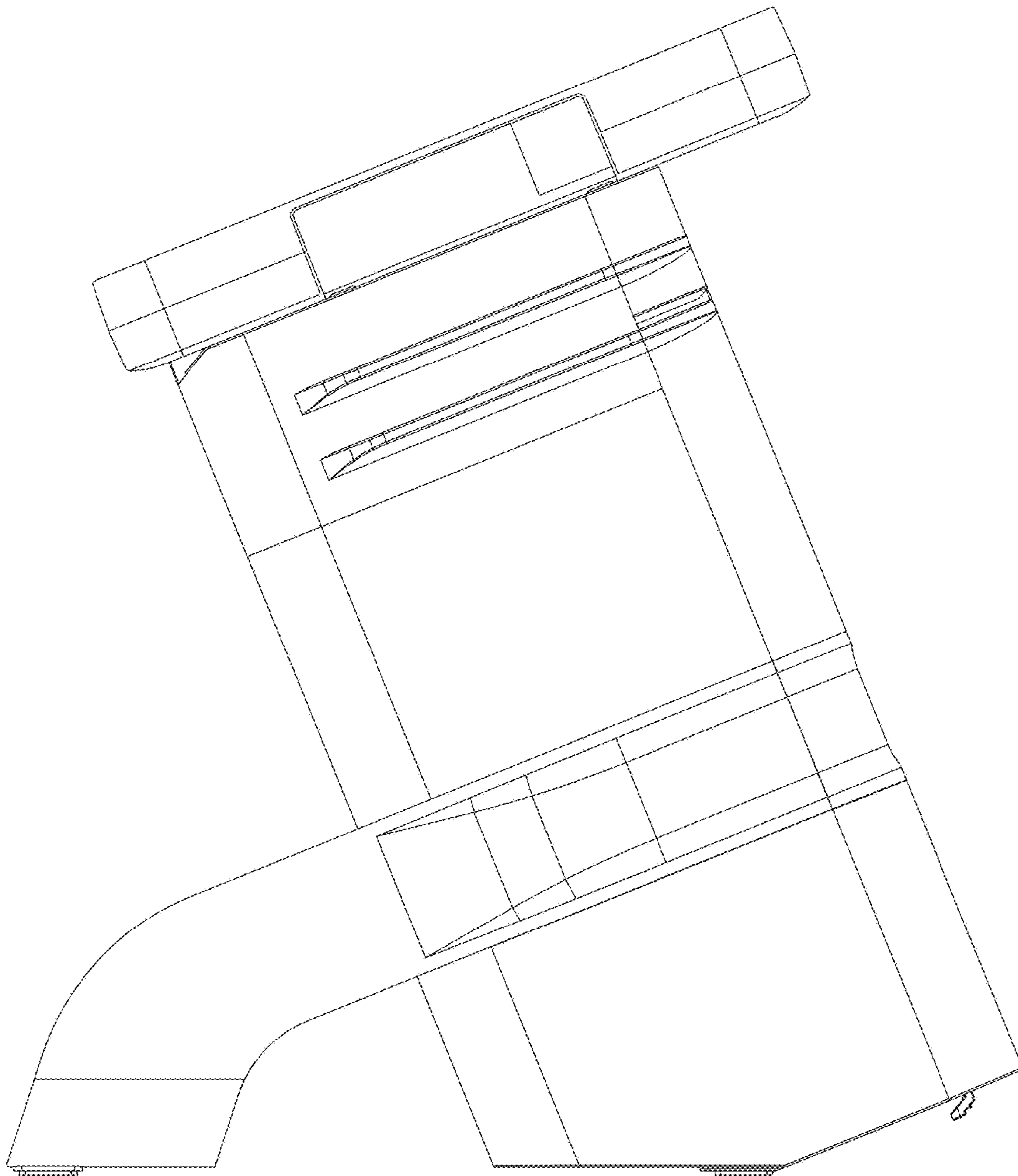


FIG. 4

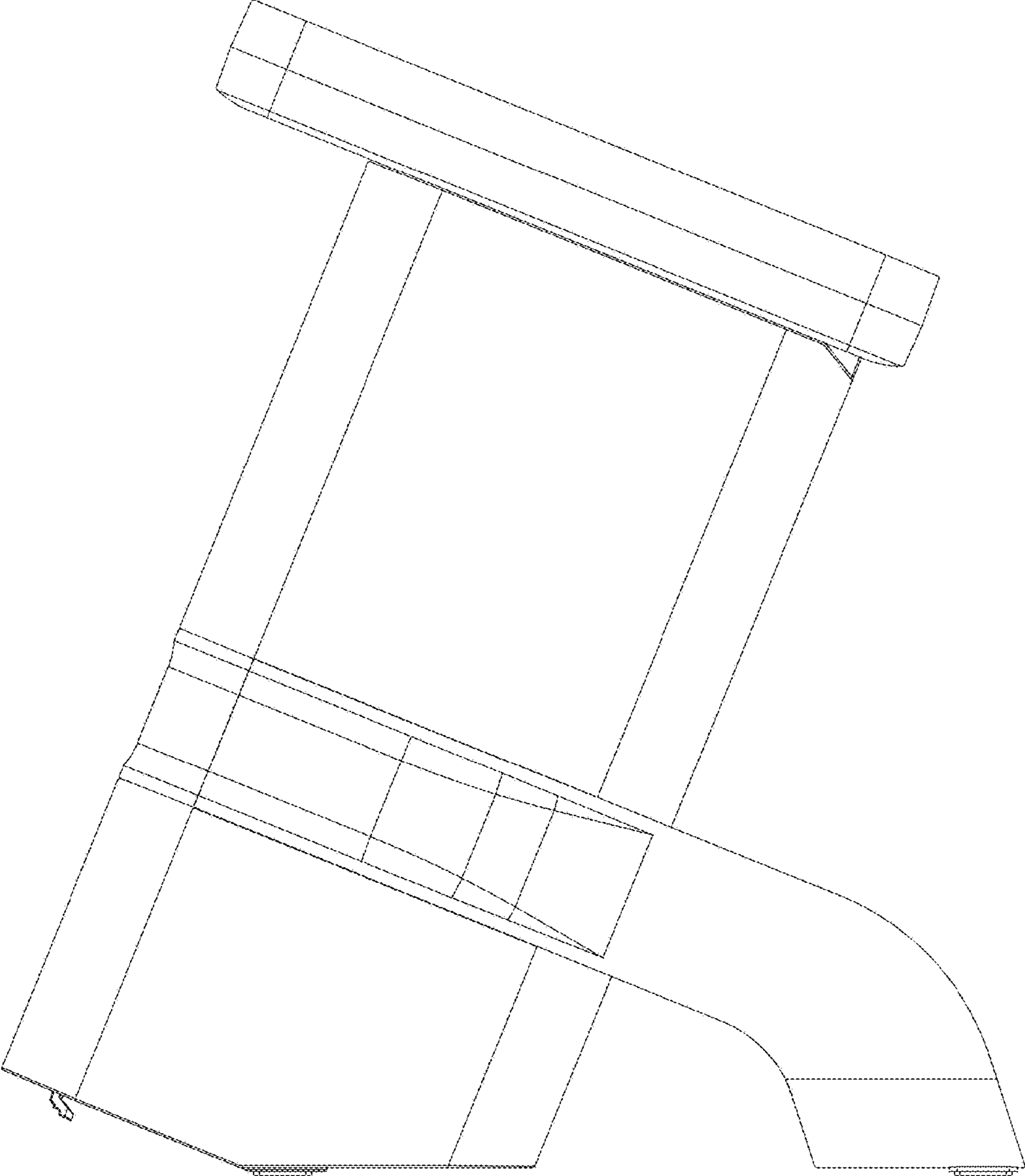


FIG. 5

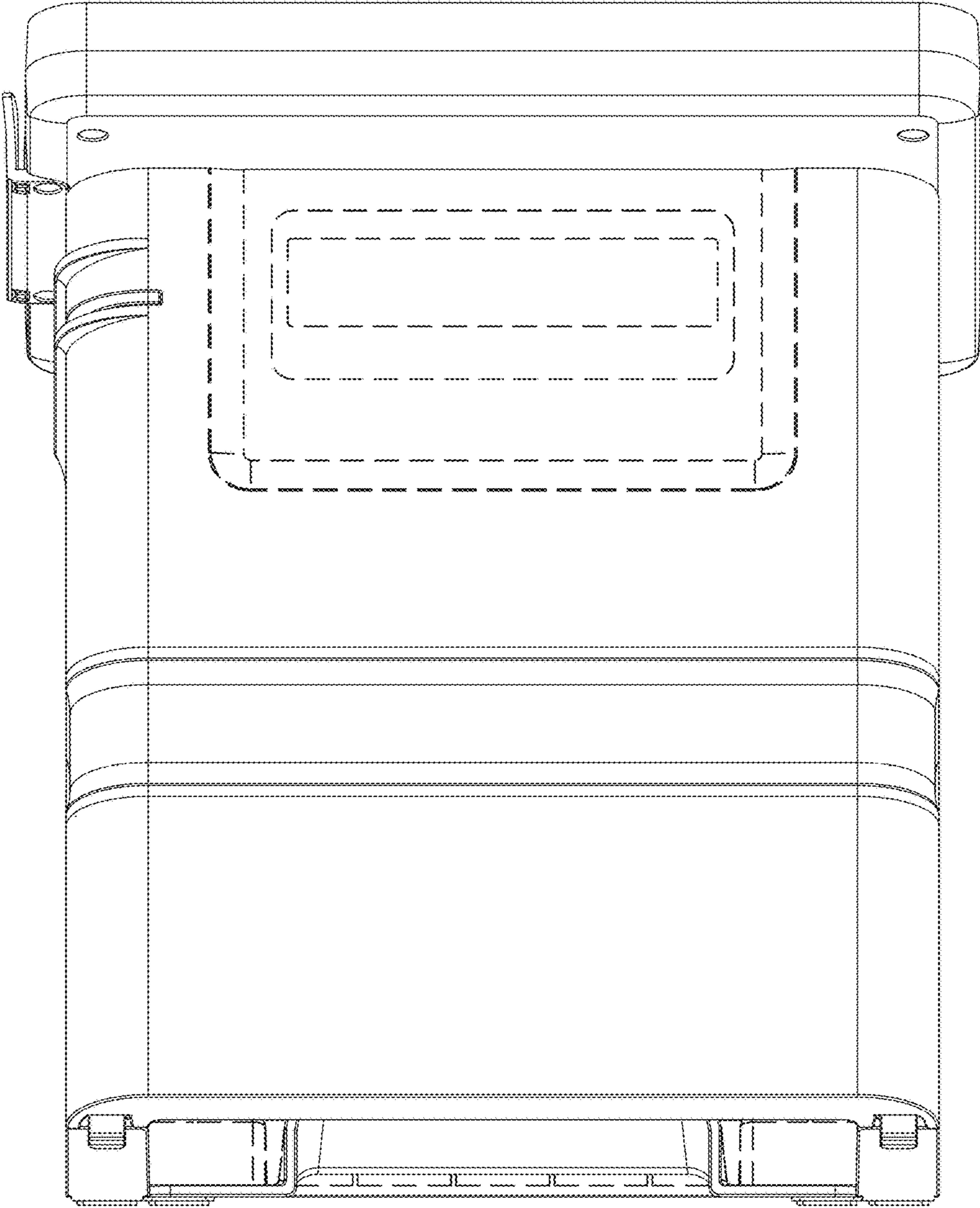


FIG. 6

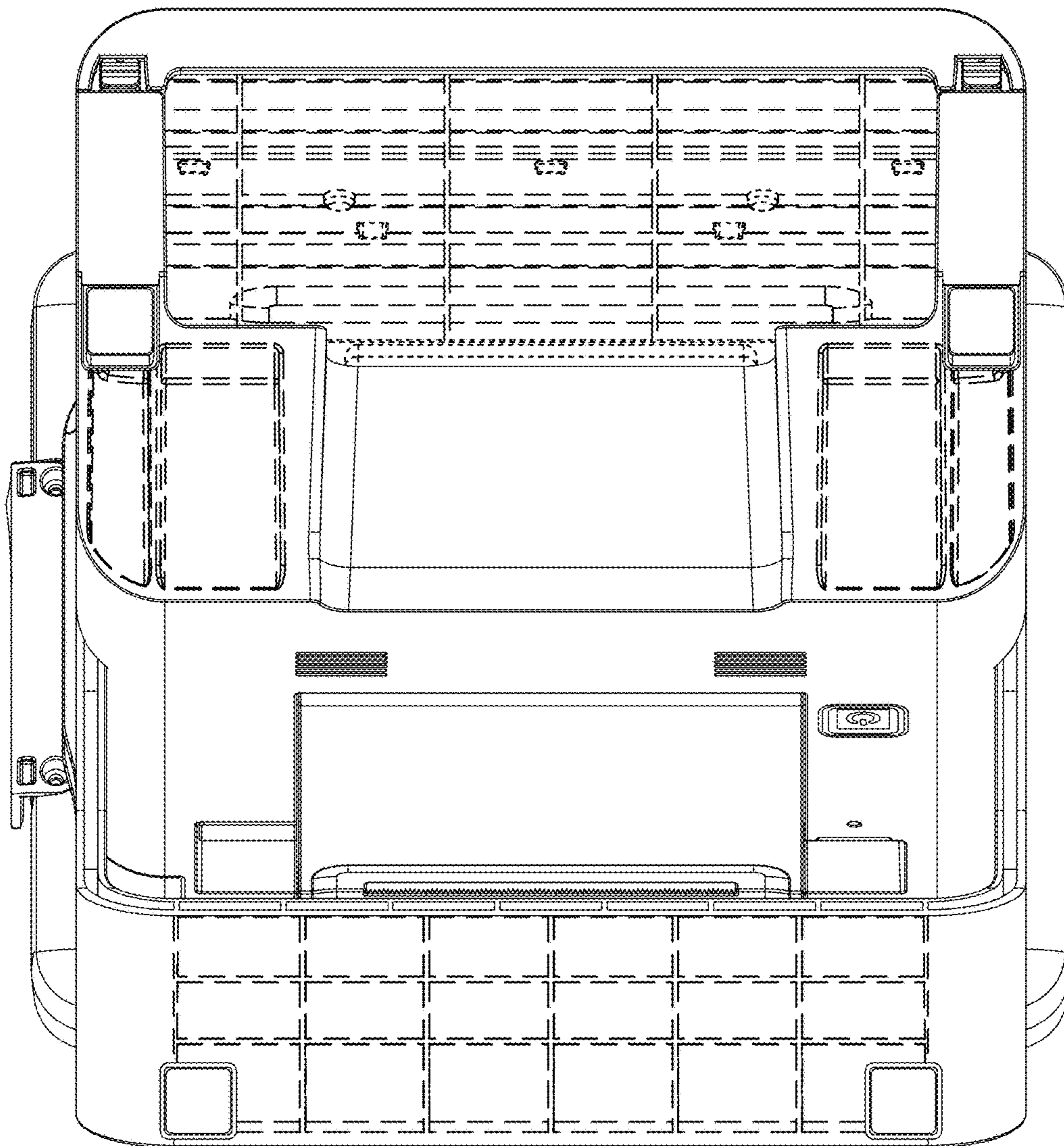


FIG. 7