



US00D850524S

(12) **United States Design Patent**
Oba

(10) **Patent No.:** **US D850,524 S**
(45) **Date of Patent:** **** Jun. 4, 2019**

(54) **PAPER SHEET SORTING AND COUNTING MACHINE**

(71) Applicant: **LAUREL PRECISION MACHINES CO., LTD.**, Osaka-shi, Osaka (JP)

(72) Inventor: **Masashi Oba**, Tokyo (JP)

(73) Assignee: **Laurel Precision Machines Co., Ltd.**, Osaka-shi, Osaka

(**) Term: **15 Years**

(21) Appl. No.: **29/591,340**

(22) Filed: **Jan. 19, 2017**

(30) **Foreign Application Priority Data**

Jul. 21, 2016 (JP) 2016-015545

(51) **LOC (11) Cl.** **18-01**

(52) **U.S. Cl.**
USPC **D18/3.3**

(58) **Field of Classification Search**
USPC D18/3.3, 3.1, 36, 37, 38, 39, 46, 47, 48, D18/49, 50
CPC G03G 15/6538; B65H 2408/118; G06M 7/06; G06M 7/08; G06M 7/10; G06M 9/00; G06M 9/02; G06M 9/025
See application file for complete search history.

(56) **References Cited**

U.S. PATENT DOCUMENTS

- D158,814 S * 5/1950 Sundberg et al. D14/359
- 2,588,190 A * 3/1952 Wockenfuss 101/93.45
- 5,104,117 A * 4/1992 McCormick B65H 29/58
162/197
- 5,238,314 A * 8/1993 Kitahara B41J 17/22
400/208
- D562,377 S * 2/2008 Kuroda D18/3.1
- D582,471 S * 12/2008 Stoddart D18/46

- D595,766 S * 7/2009 Munakata D18/39
- D650,007 S * 12/2011 Inage D18/3.3
- D652,444 S * 1/2012 Inage D18/3.3
- D686,273 S * 7/2013 Kurokawa D18/3.3

(Continued)

FOREIGN PATENT DOCUMENTS

- JP 2003221155 A * 8/2003
- JP 2015103229 A * 6/2015
- JP 2016175755 A * 10/2016

OTHER PUBLICATIONS

Buy Korea. <URL: <http://www.buykorea.org/product-details/ST-300-Fitness-Sorter-Banknote-Sorting-Machine-Banknote-Counter-3041767.html>> Sep. 8, 2015. ST-300, Fitness Sorter, Banknote Sorting Machine, Banknote Counter, Seetech Co.*

Primary Examiner — Susan Bennett Hattan

Assistant Examiner — Lauren D McVey

(74) *Attorney, Agent, or Firm* — Nixon & Vanderhye P.C.

(57) **CLAIM**

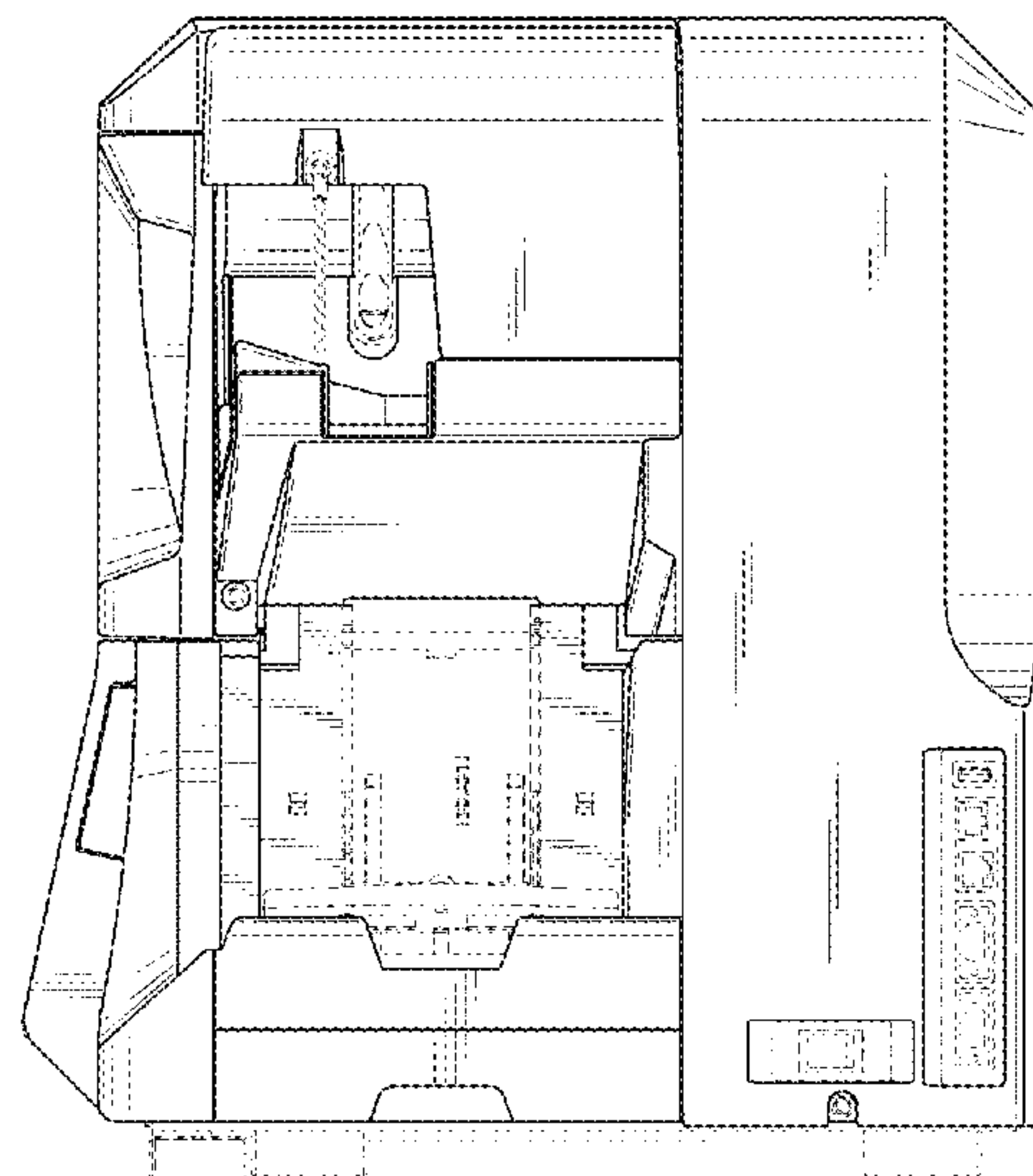
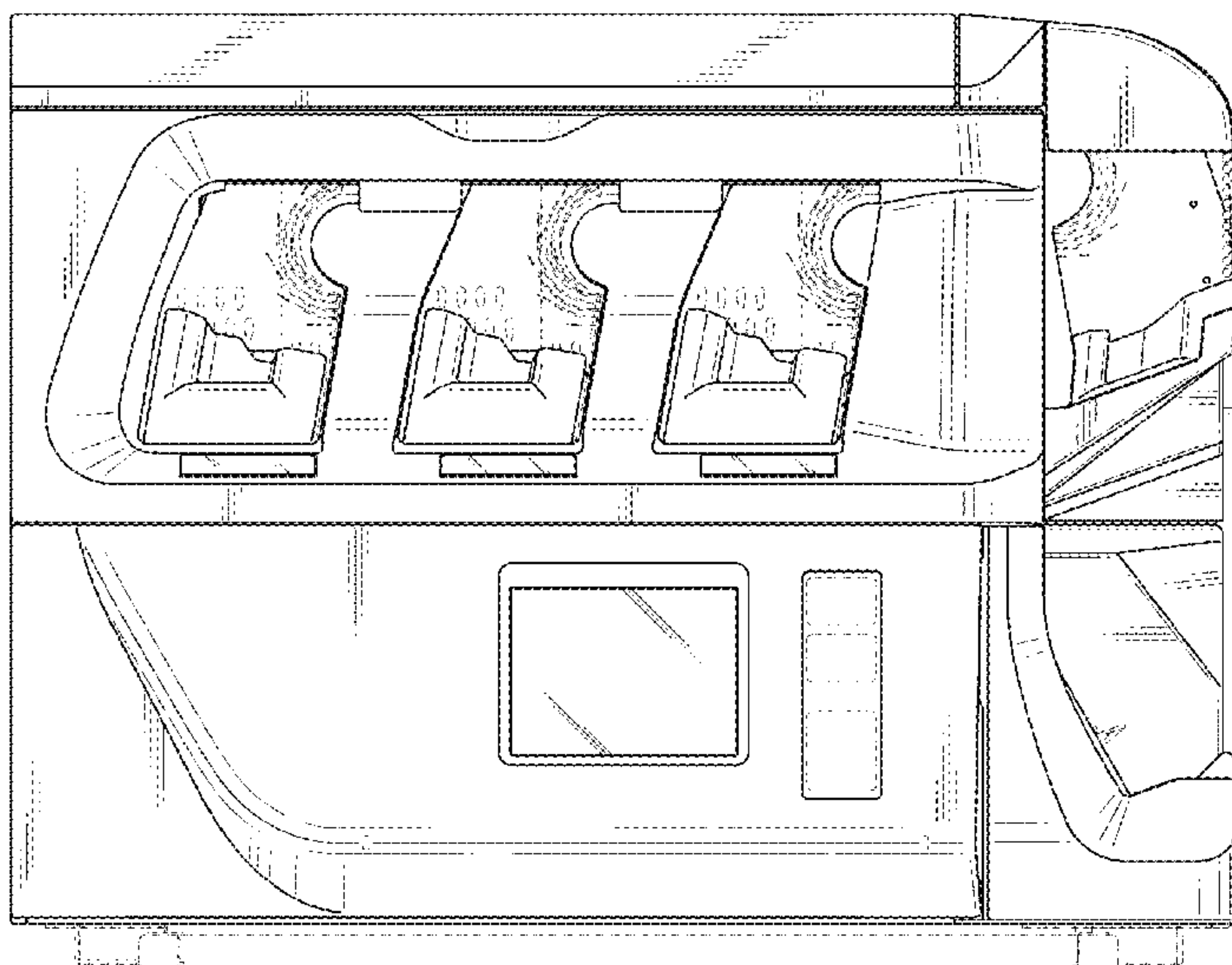
The ornamental design for a paper sheet sorting and counting machine, as shown and described.

DESCRIPTION

FIG. 1 is a first front right perspective view of a paper sheet sorting and counting machine showing my new design; FIG. 2 is a second front right perspective view thereof; FIG. 3 is a front elevation view thereof; FIG. 4 is a rear elevation view thereof; FIG. 5 is a right side elevation view thereof; FIG. 6 is a left side elevation view thereof; and, FIG. 7 is a top plan view thereof.

The broken lines immediately adjacent to the shaded areas in FIGS. 1, 2, and 4 depict the bounds of the claimed design, while all other broken lines are directed to environment. In addition, the unshaded surfaces that directly adjoin the claimed solid line edges form no part of the claimed design.

1 Claim, 7 Drawing Sheets



(56)

References Cited

U.S. PATENT DOCUMENTS

D785,084 S * 4/2017 Azegami D18/19
D818,039 S * 5/2018 Tomomatsu D18/50

* cited by examiner

FIG. 1

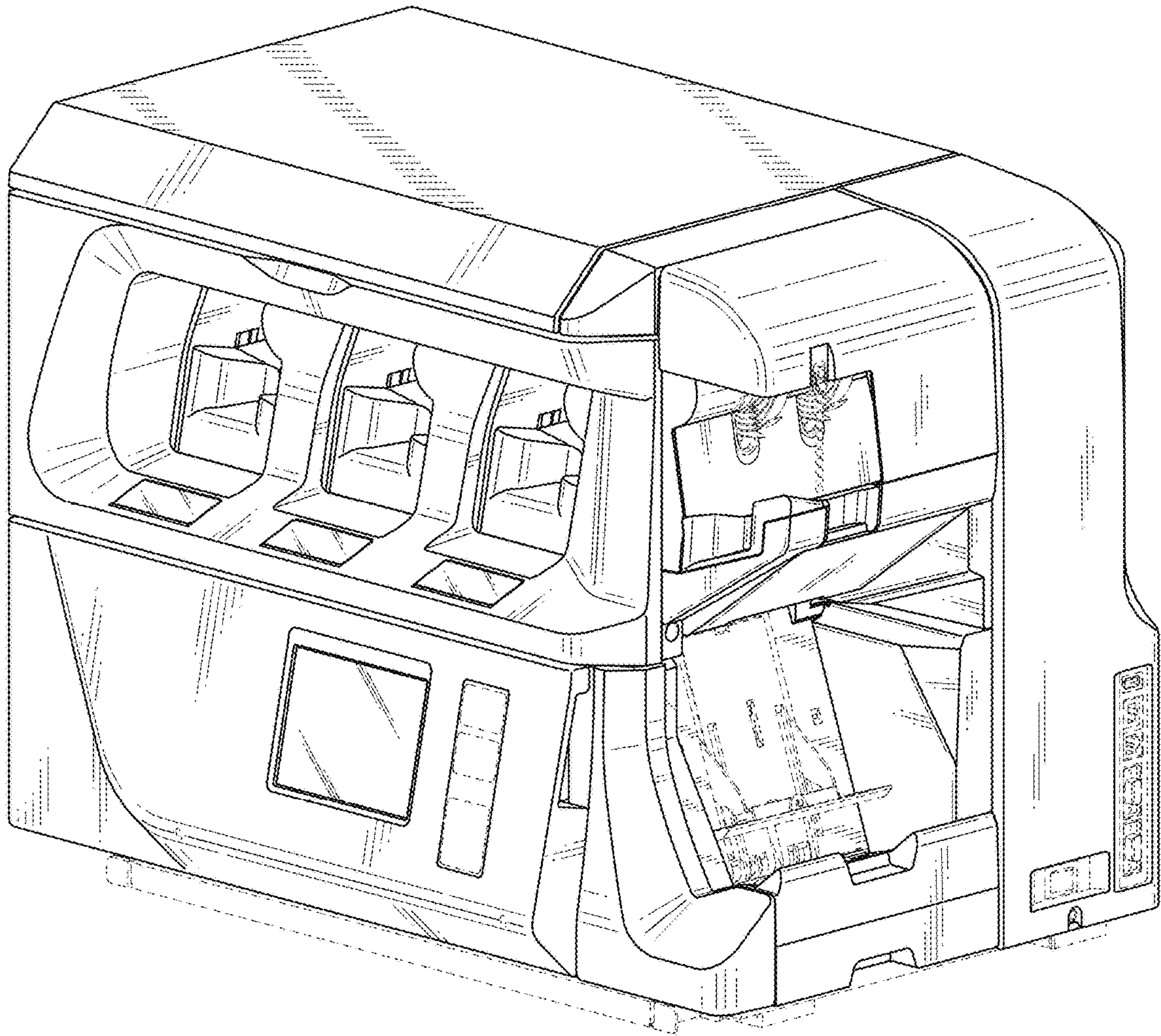


FIG. 2

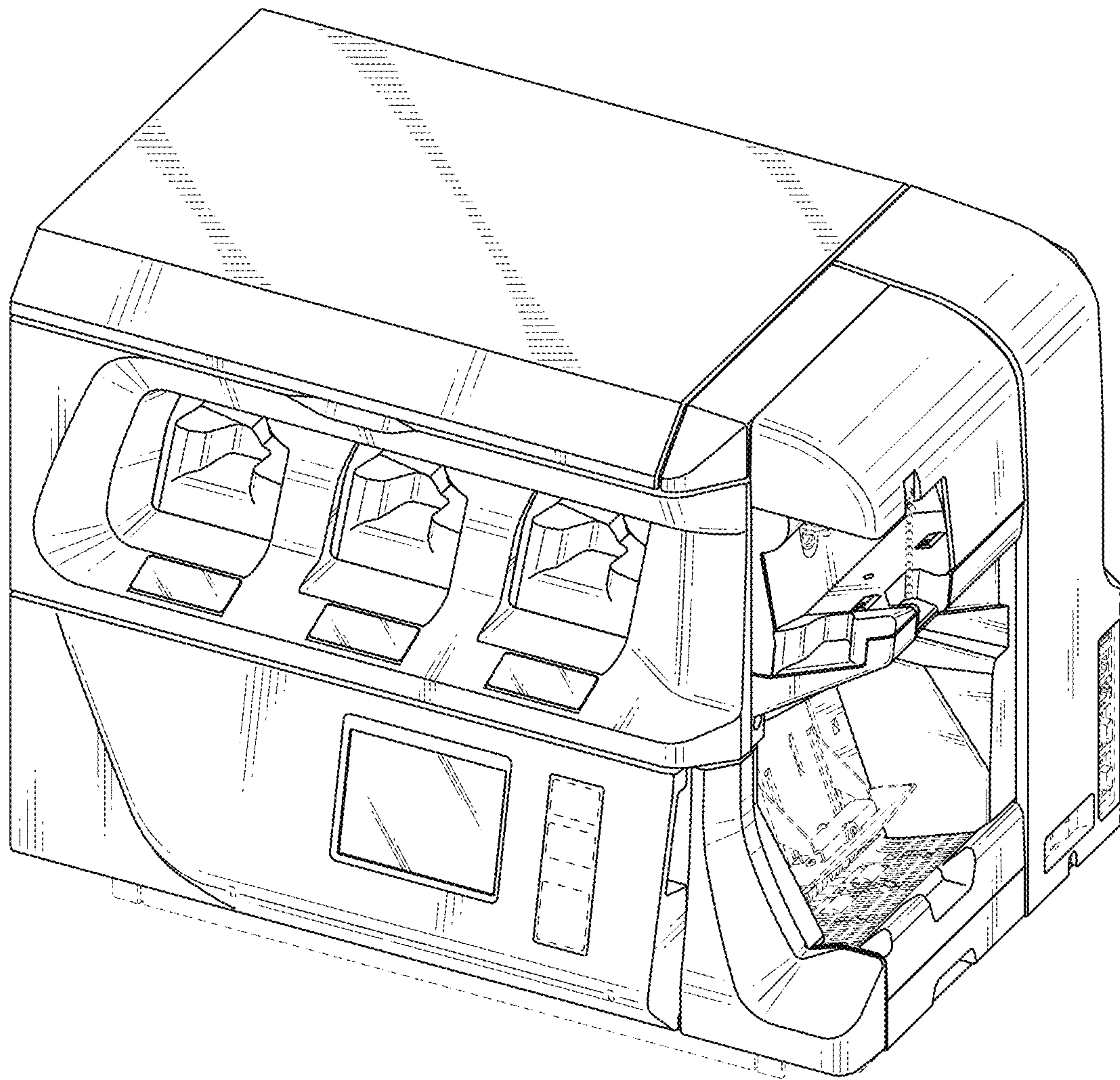


FIG. 3

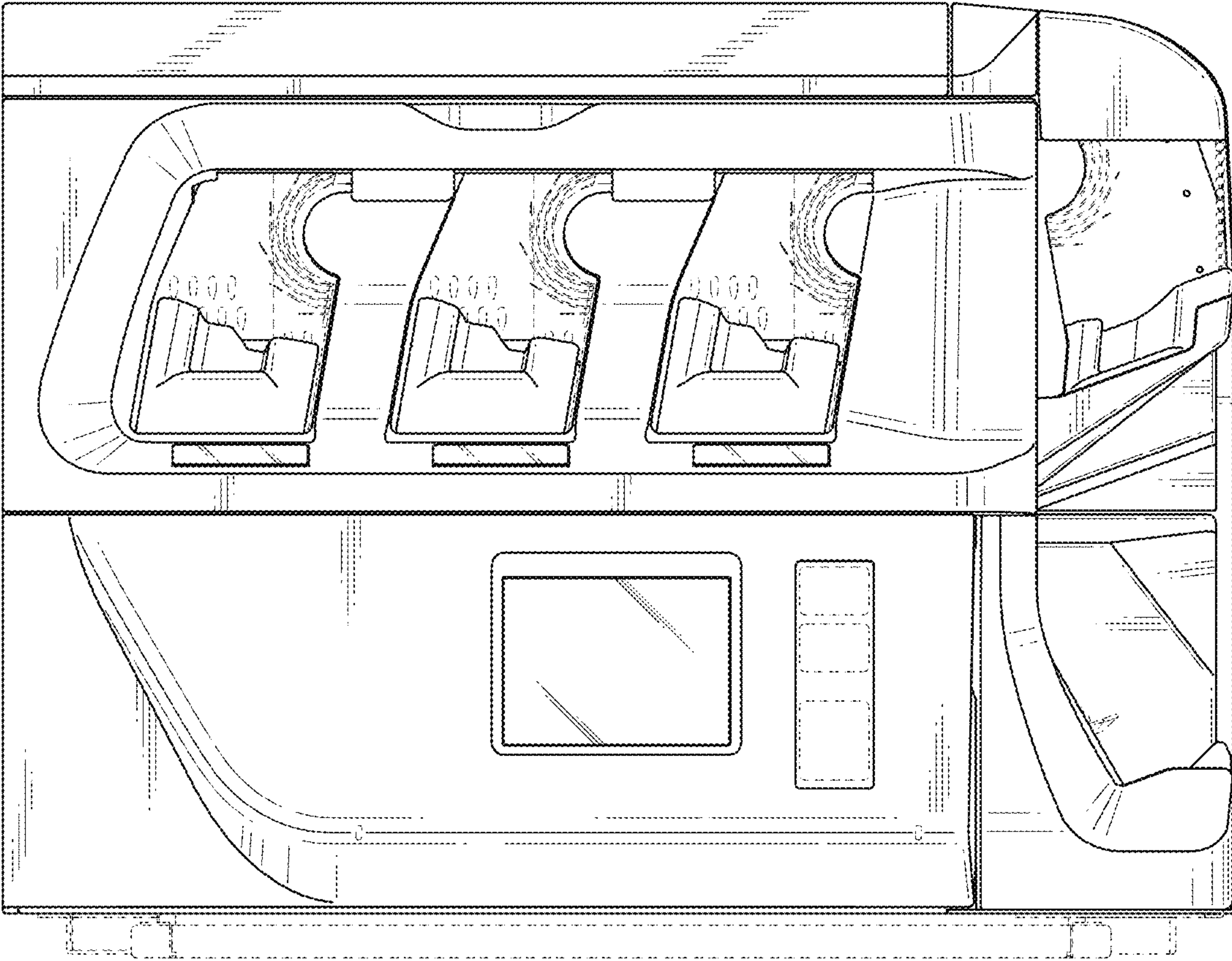


FIG. 4

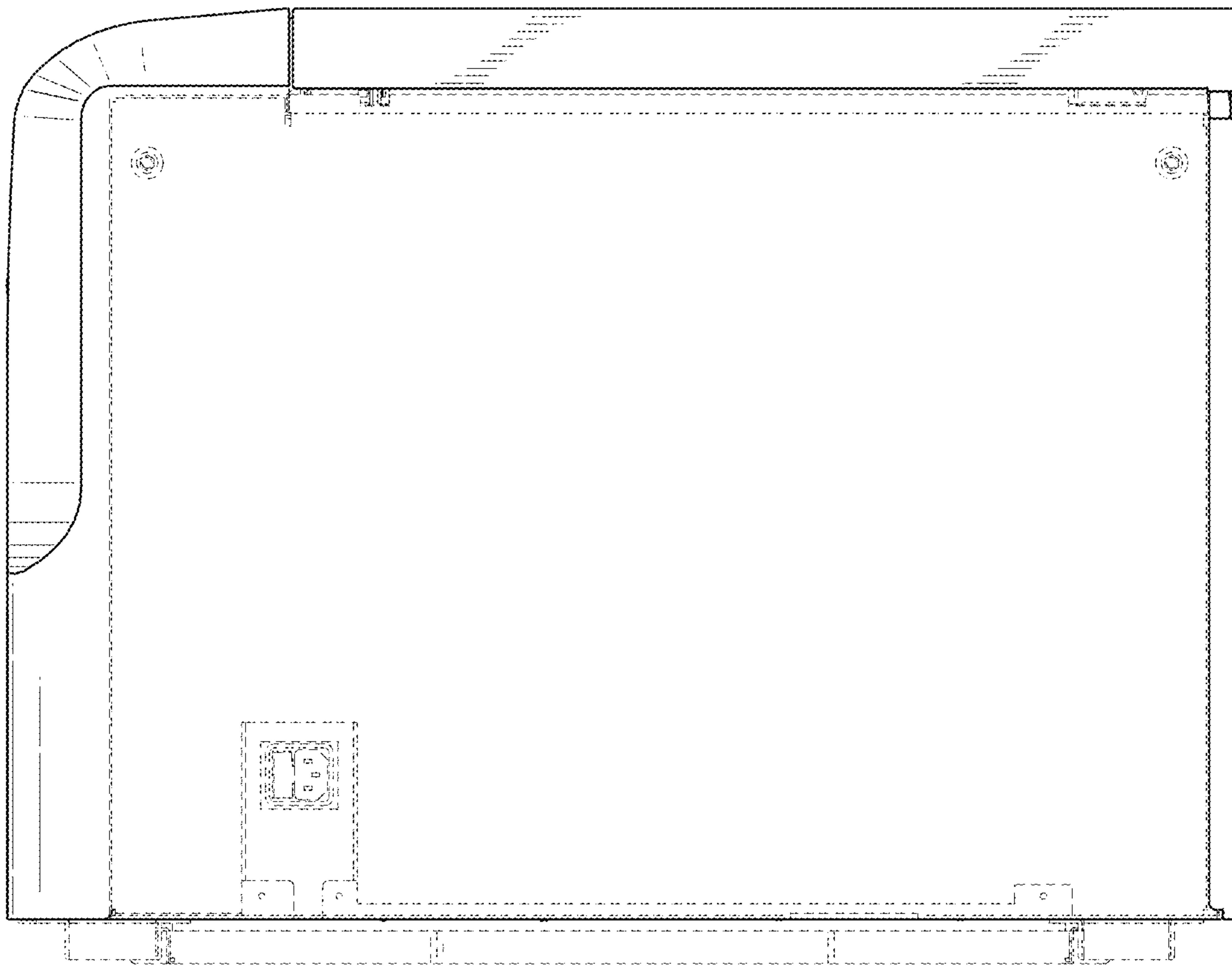


FIG. 5

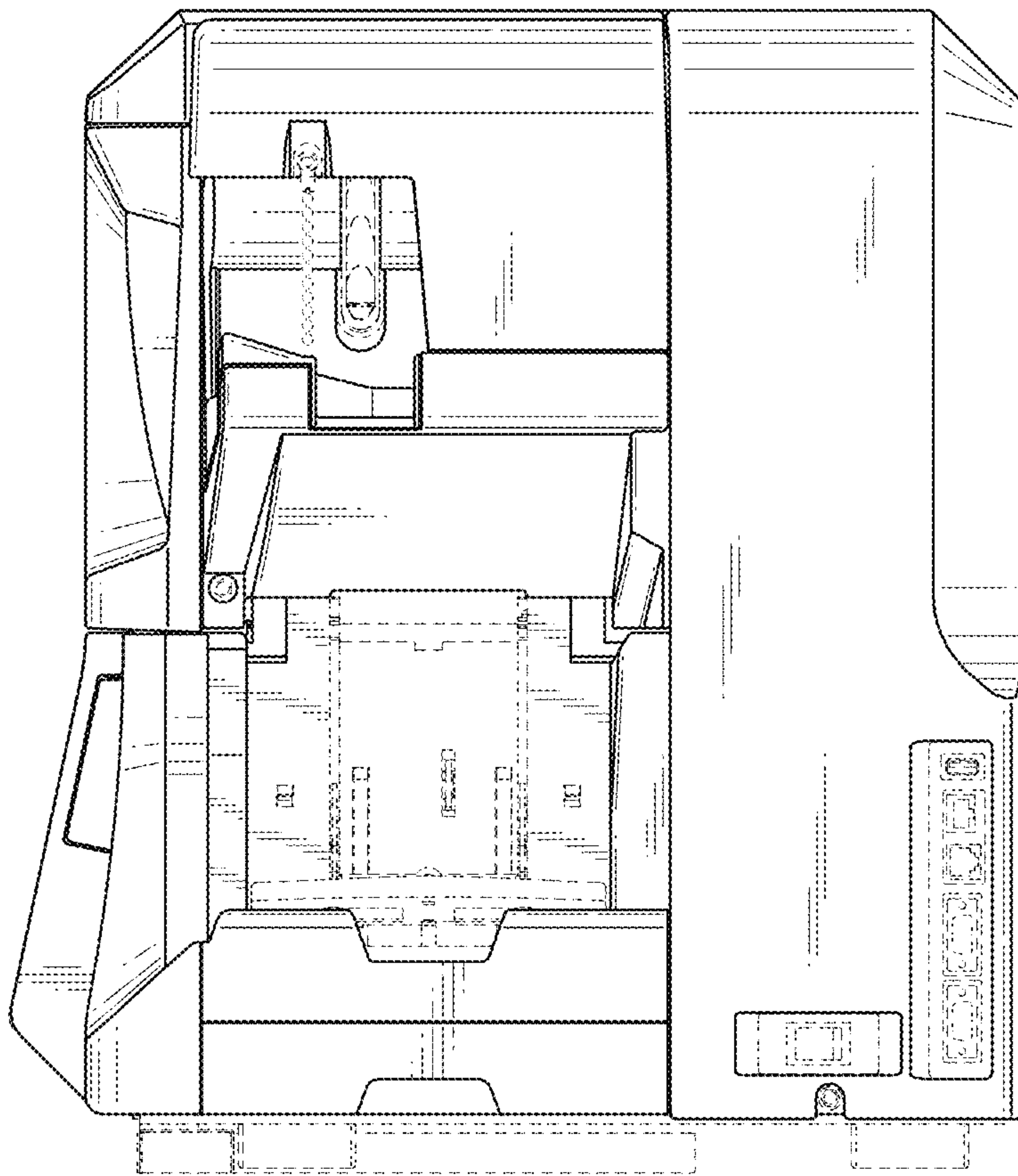


FIG. 6

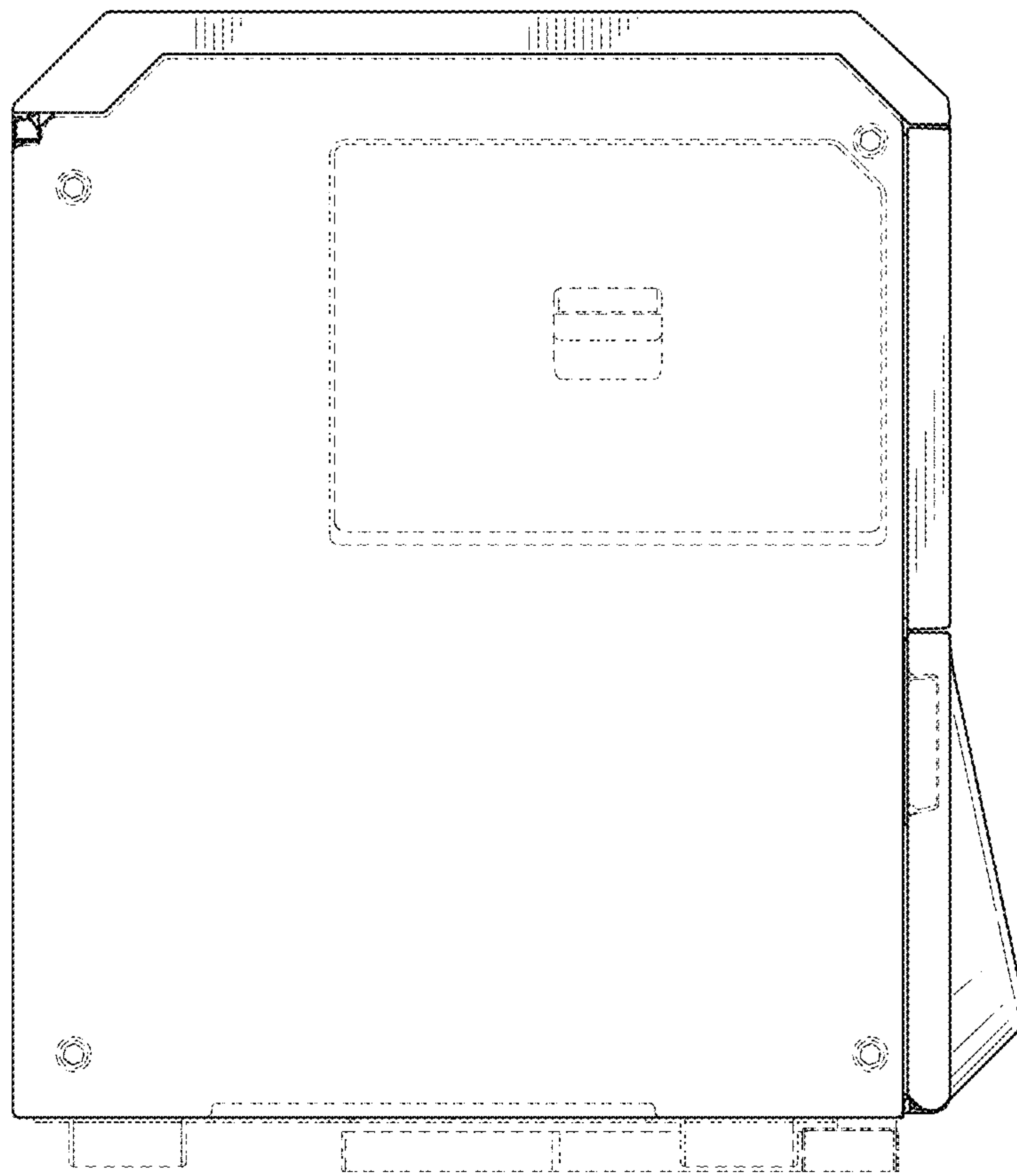


FIG. 7

