



US00D850519S

(12) **United States Design Patent**
Kim

(10) **Patent No.:** **US D850,519 S**
(45) **Date of Patent:** **** Jun. 4, 2019**

(54) **REFLECTOR HOLDER**

(71) Applicant: **Sun Kyoung Kim**, Seoul (KR)

(72) Inventor: **Sun Kyoung Kim**, Seoul (KR)

(**) Term: **15 Years**

(21) Appl. No.: **29/632,251**

(22) Filed: **Jan. 5, 2018**

(51) **LOC (11) Cl.** **16-05**

(52) **U.S. Cl.**
USPC **D16/237**

(58) **Field of Classification Search**
USPC D16/219, 237–250; D14/224, 229, 238,
D14/251, 253; D20/10, 39, 41;
D21/837, 839; D8/354, 355, 363, 373,
D8/382–383, 394–396
CPC F16M 11/06–11/10; F16M 11/14; G02B
7/00–7/002; G03B 17/56; G03B
17/561–17/568; H04N 5/2253–5/2254;
A45F 2200/0508–2200/0533; A45F 5/00;
A45F 5/10

See application file for complete search history.

(56) **References Cited**

U.S. PATENT DOCUMENTS

D235,415 S *	6/1975	Martini	D8/323
D299,693 S *	2/1989	Wick	D4/199
D364,555 S *	11/1995	Neiert	D8/396
D557,590 S *	12/2007	Moore	D8/363
D579,928 S *	11/2008	Murata	D14/229
D590,698 S *	4/2009	Moore	D8/363
D618,222 S *	6/2010	Kallas	D14/229
D629,285 S *	12/2010	Gharst	D8/355
8,146,879 B2 *	4/2012	Liao	A45B 11/00 248/514
D659,517 S *	5/2012	McGrath	D8/355
D720,604 S *	1/2015	McGrath	D8/354
D720,605 S *	1/2015	McGrath	D8/355
D746,962 S *	1/2016	Citterio	D23/304
D784,121 S *	4/2017	Hutchison	D8/382

D801,415 S *	10/2017	Howry	D16/242
D801,978 S *	11/2017	Danforth	D14/447
D826,703 S *	8/2018	Neal	D8/382

OTHER PUBLICATIONS

RPS Studio Reflector Holder RS-5059—LeZot Camera. [online] Published on Sep. 18, 2015. Retrieved Jan. 8, 2019 from URL: <https://www.uniquephoto.com/reflectors-umbrellas/rps-studio-rs-5059-reflector-holder-adapter-rs-5059>.*
Impact Collapsible Reflector Holder Rubber Monkey NZ. [online] Published on Nov. 26, 2017. Retrieved Jan. 8, 2019 from URL: <https://www.rubbermonkey.co.nz/Impact/Impact-Collapsible-Reflector-Holder?fromCategoryId=4>.*
Collapsible Reflector Holder 180cm FreePower WSSO-FP-RBH2566. [online] Published Dec. 6, 2017. Retrieved Jan. 8, 2019 from URL: <https://fripers.ie/p/collapsible-reflector-holder-180cm-freepower/>.*

* cited by examiner

Primary Examiner — Vy N Koenig

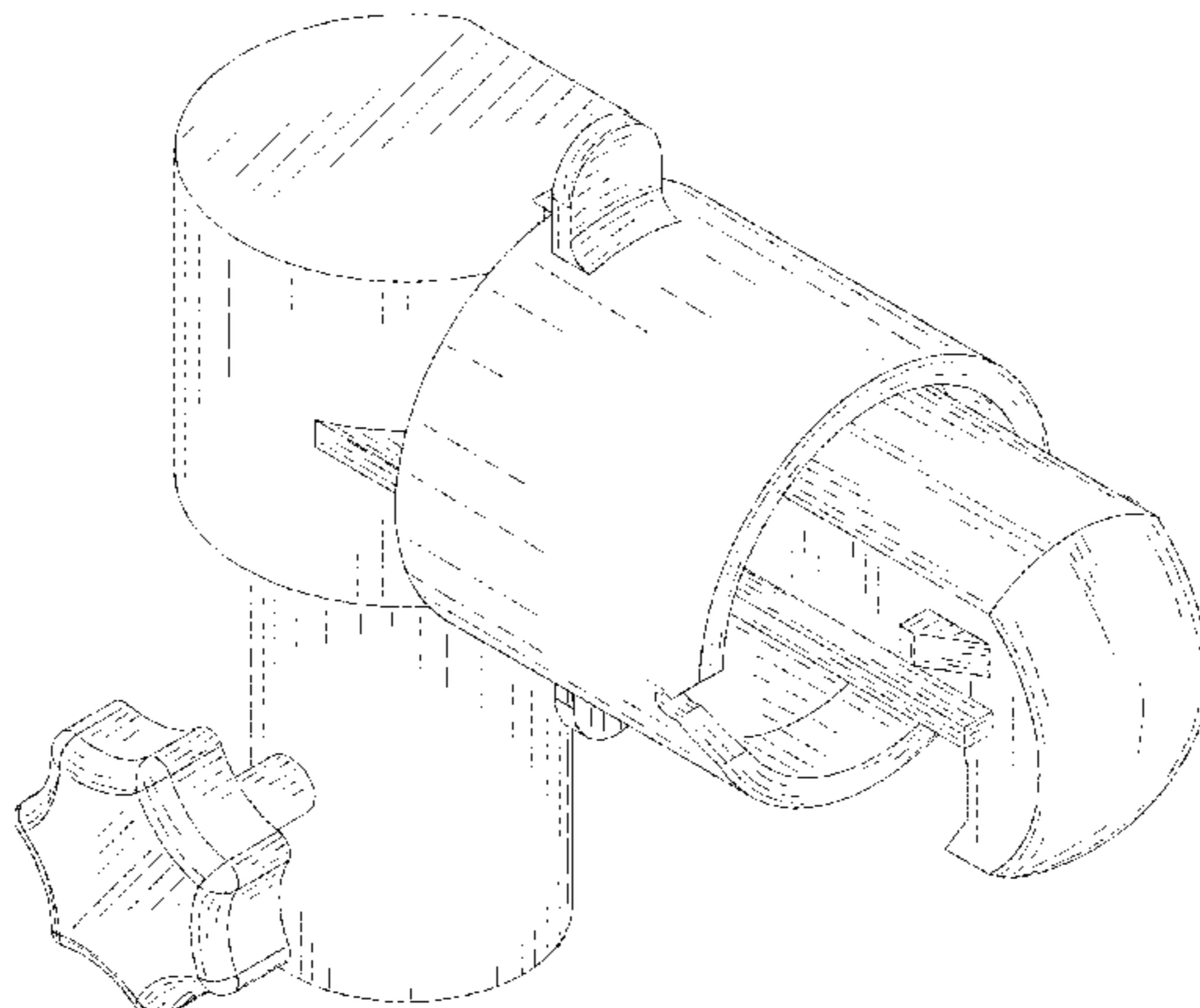
(57) **CLAIM**

The ornamental design for a reflector holder, as shown and described.

DESCRIPTION

FIG. 1 is a top right perspective view of a reflector holder showing my new design;
FIG. 2 is a top left perspective view thereof;
FIG. 3 is a bottom left perspective view thereof;
FIG. 4 is a front view thereof;
FIG. 5 is a back view thereof;
FIG. 6 is a top view thereof;
FIG. 7 is a bottom view thereof;
FIG. 8 is a left view thereof; and,
FIG. 9 is a right view thereof.

1 Claim, 9 Drawing Sheets



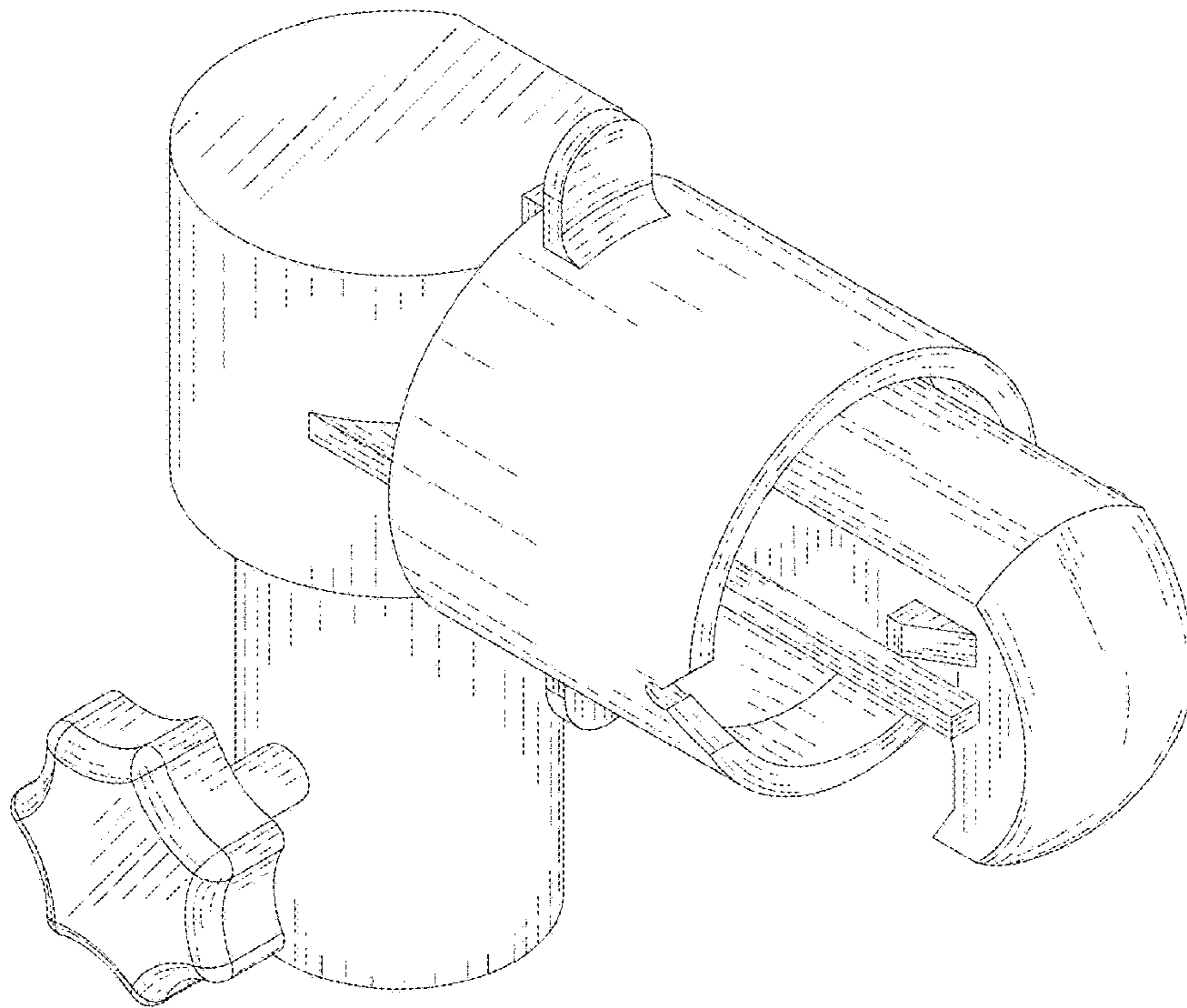


FIG. 1

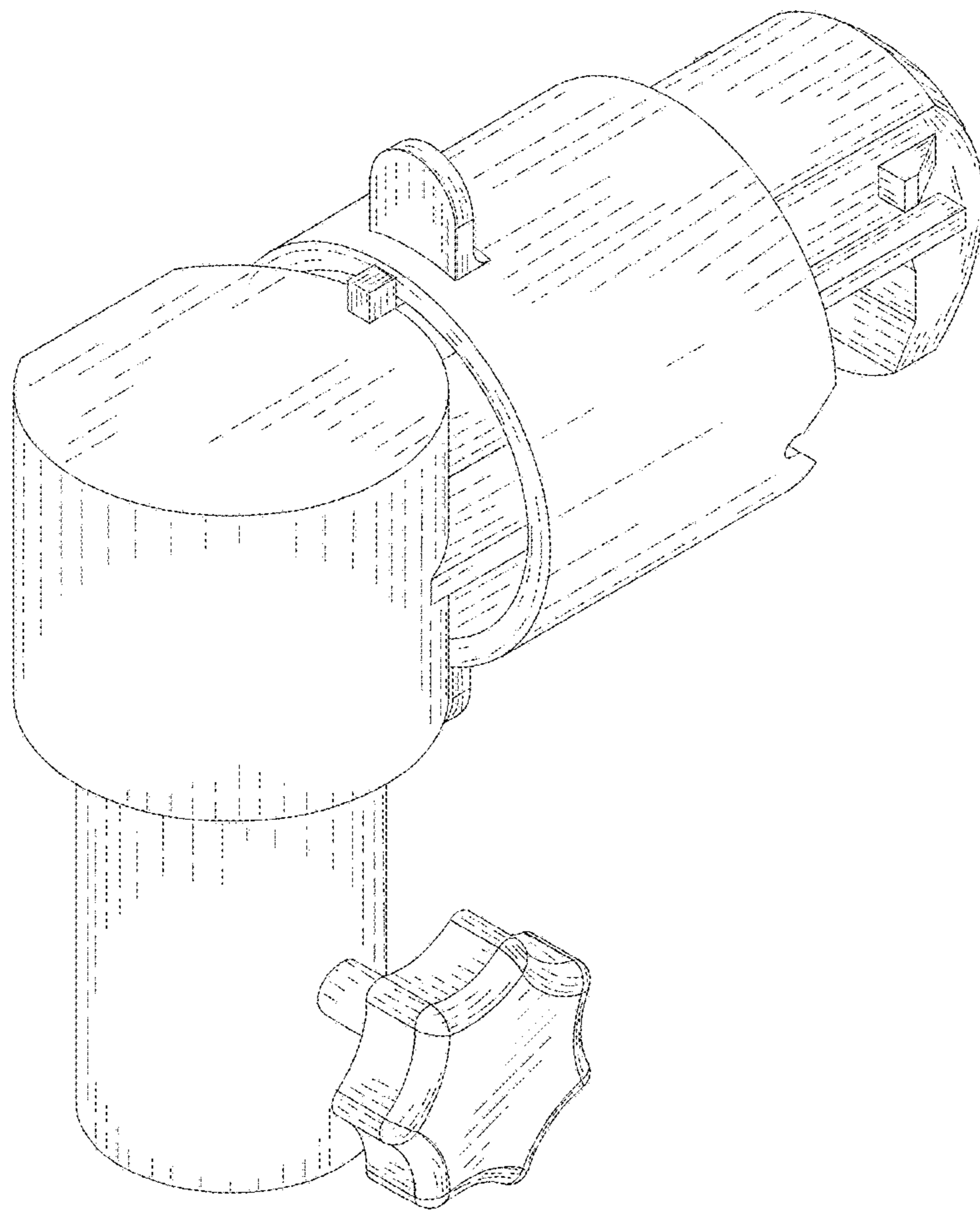


FIG. 2

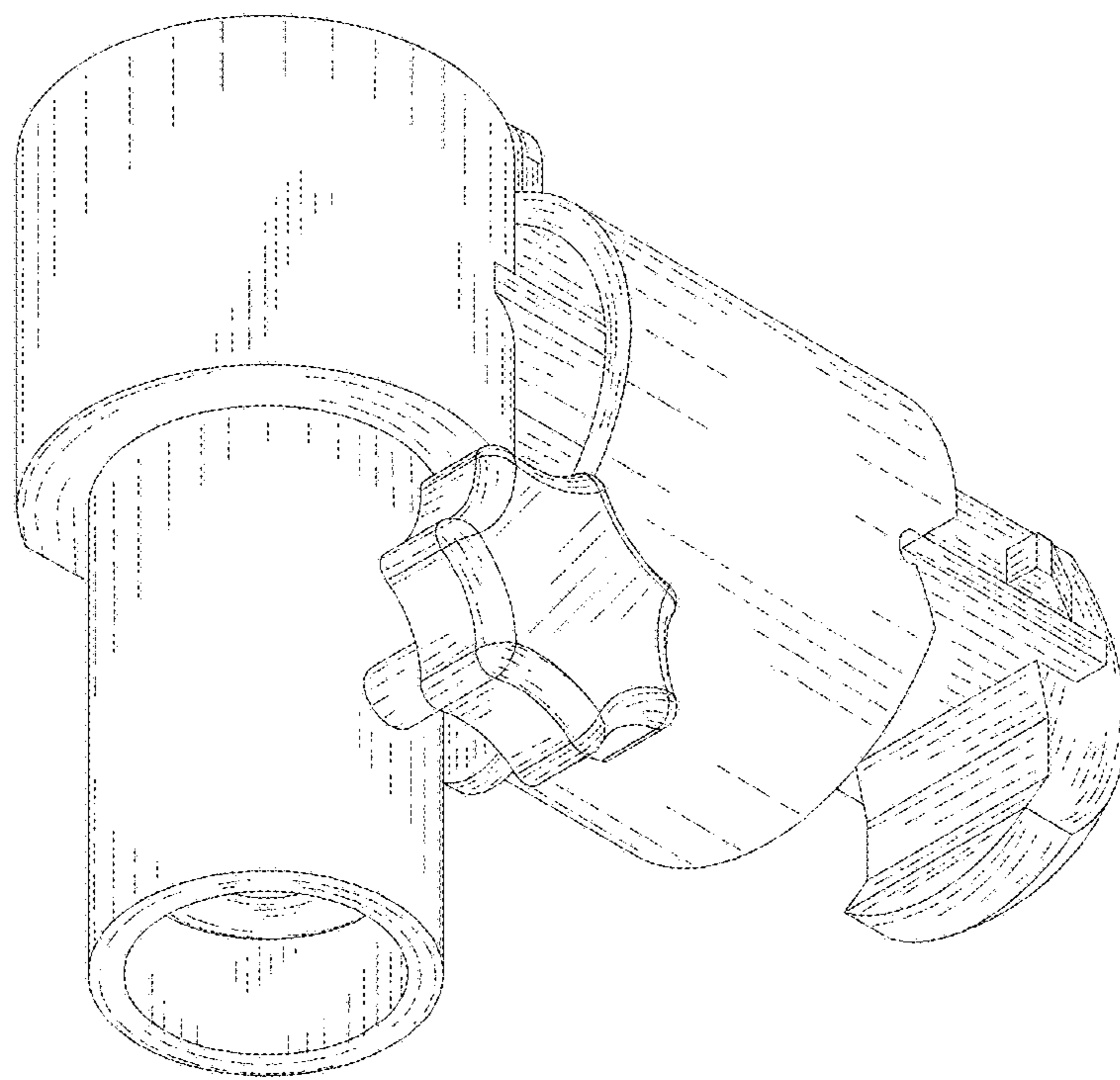


FIG. 3

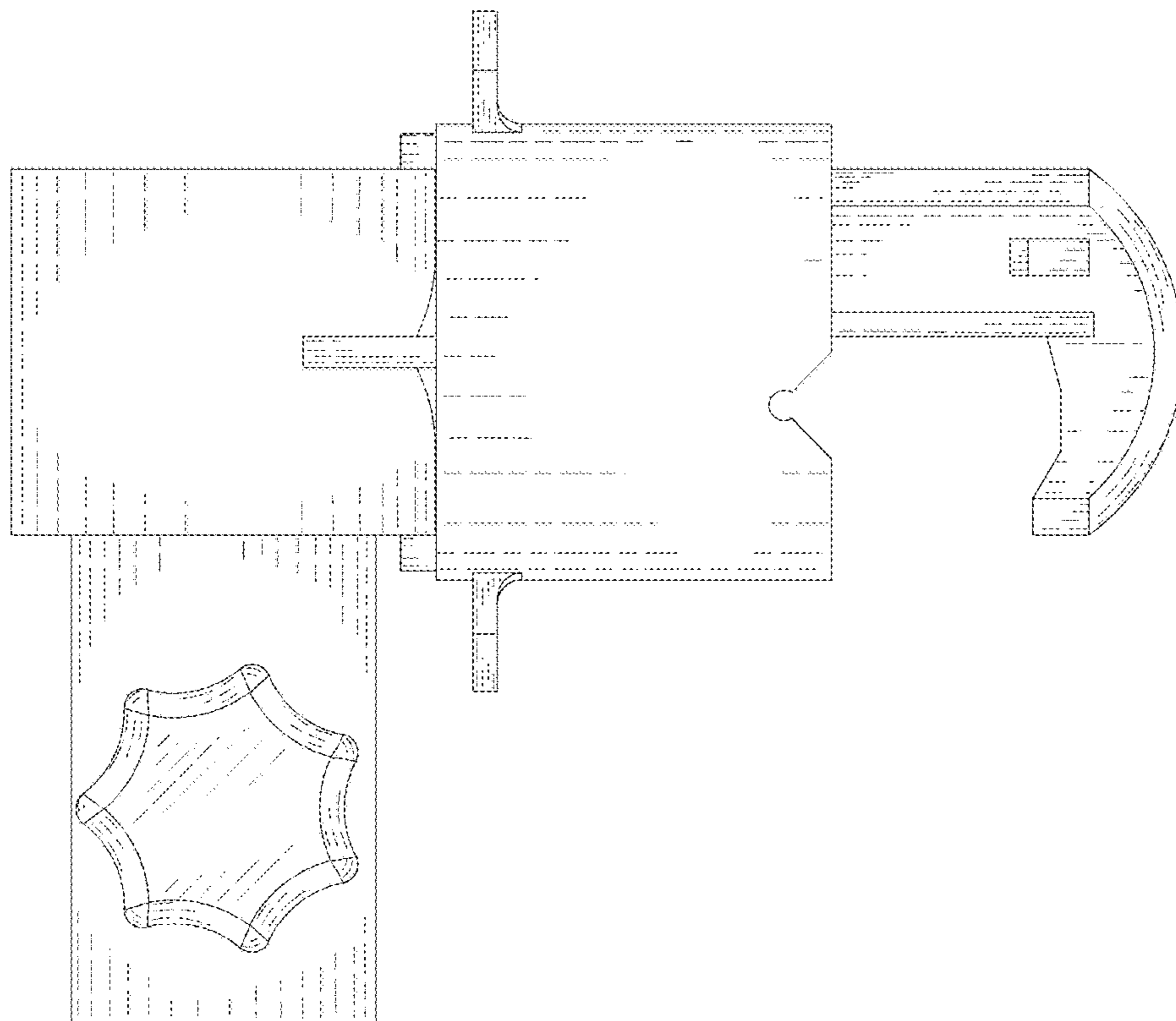


FIG. 4

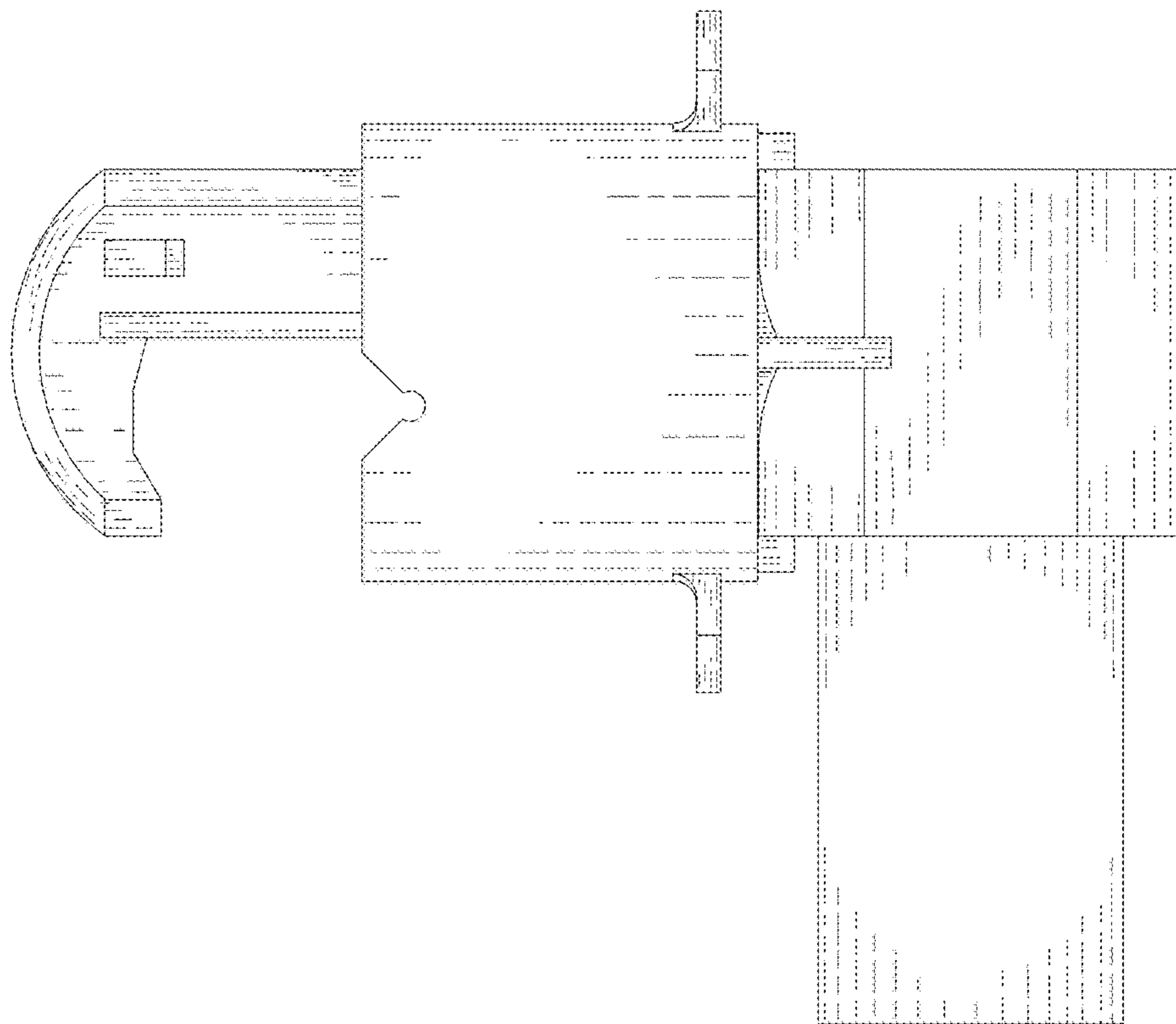


FIG. 5

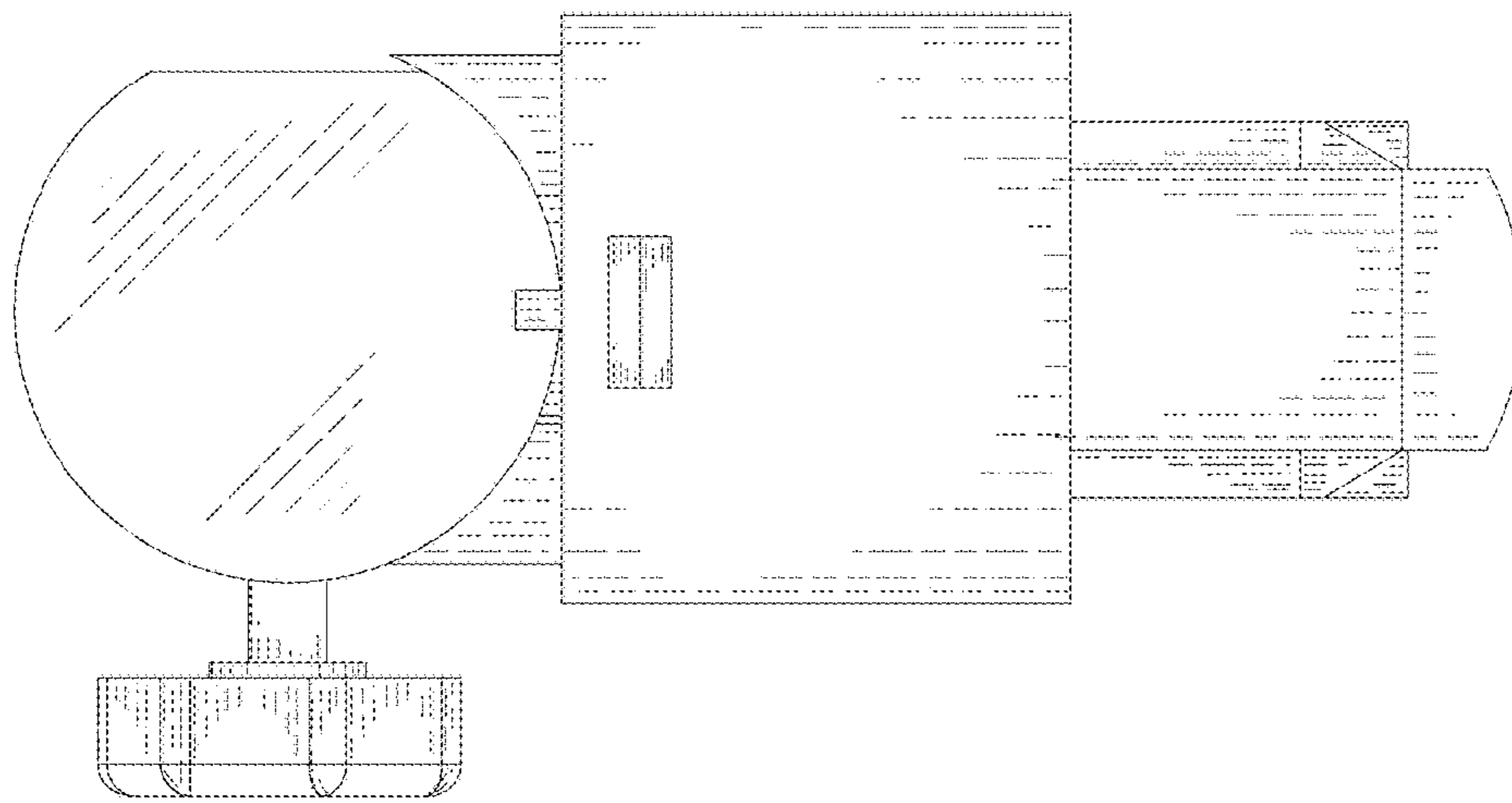


FIG. 6

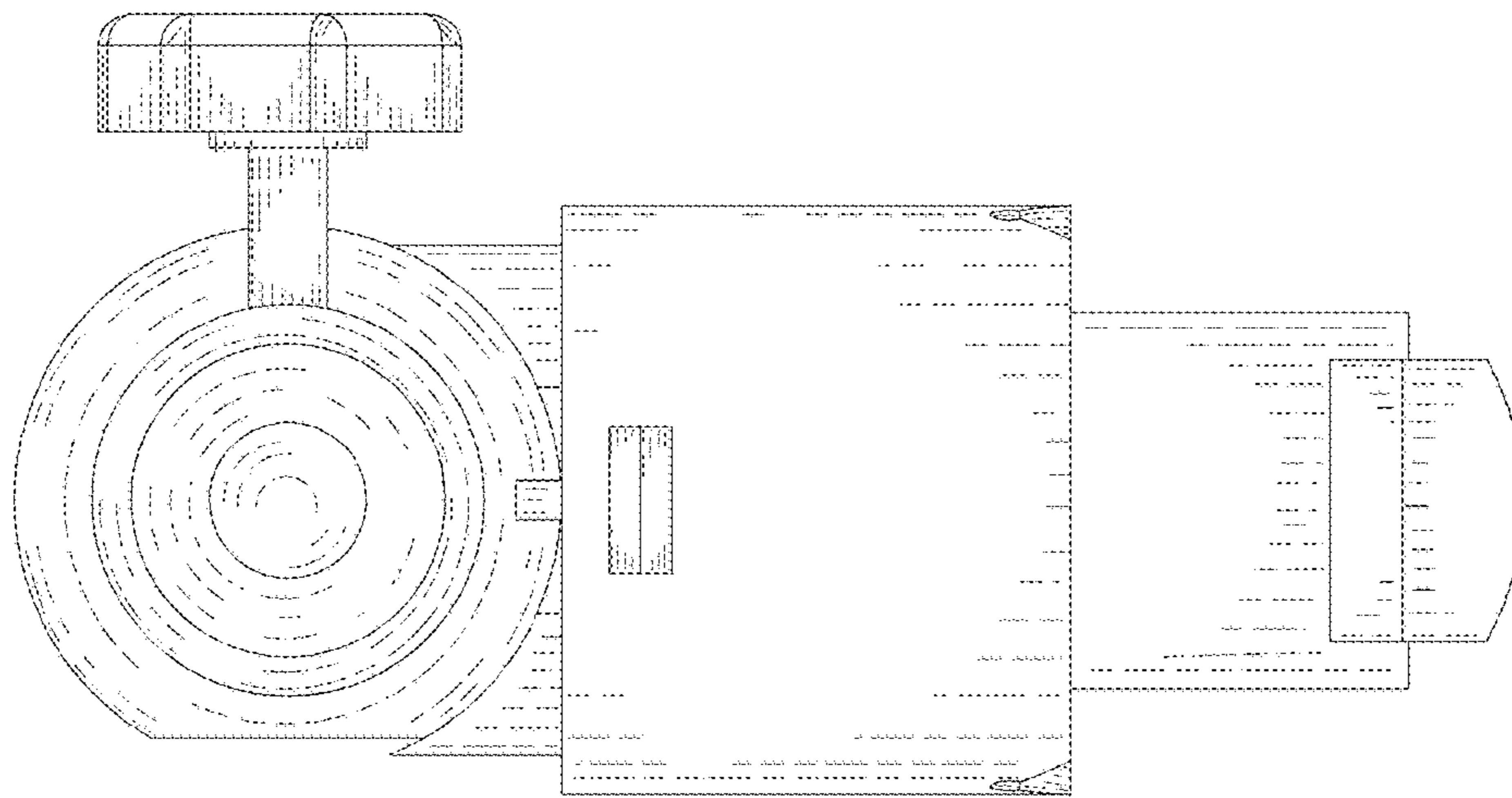


FIG. 7

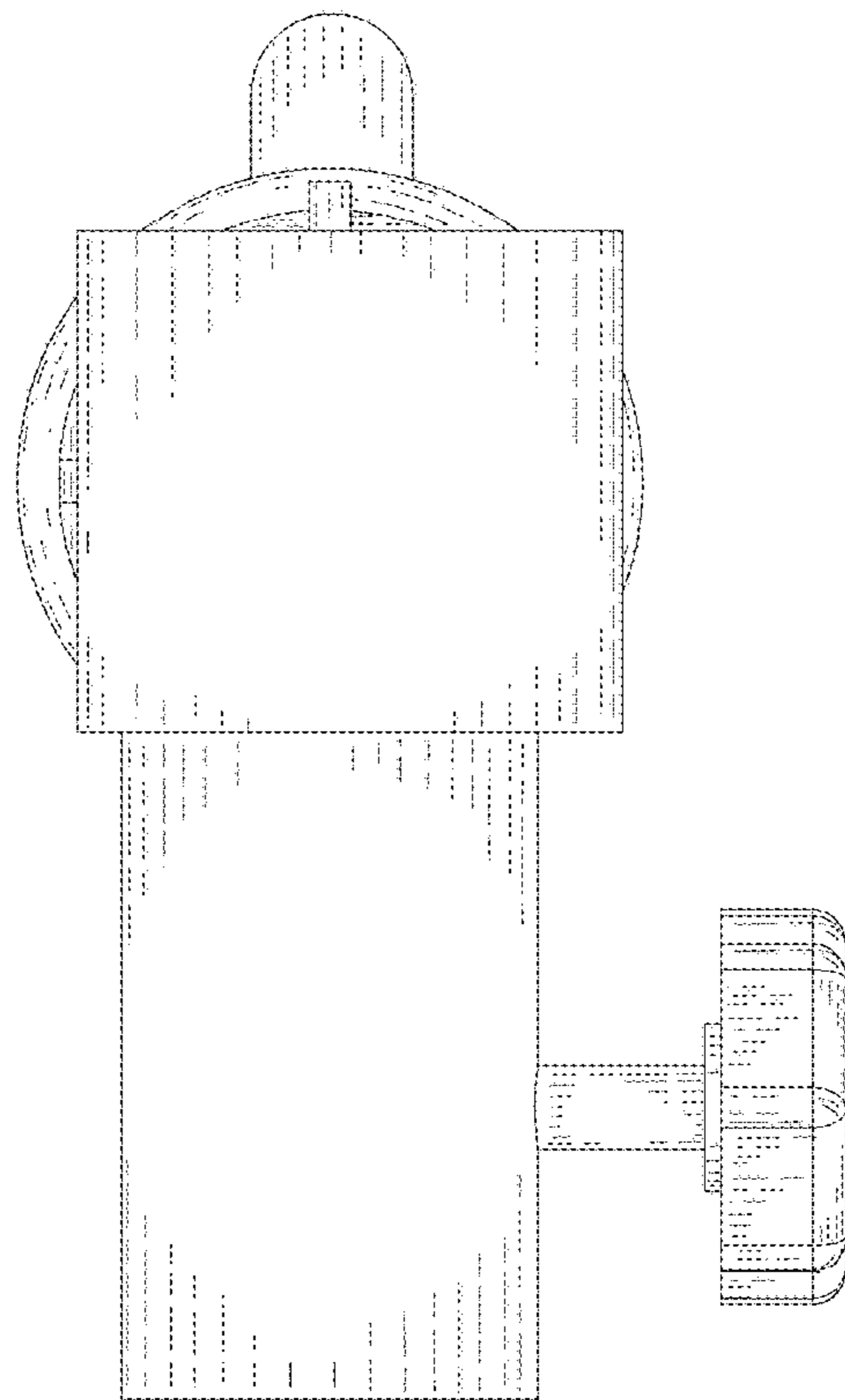


FIG. 8

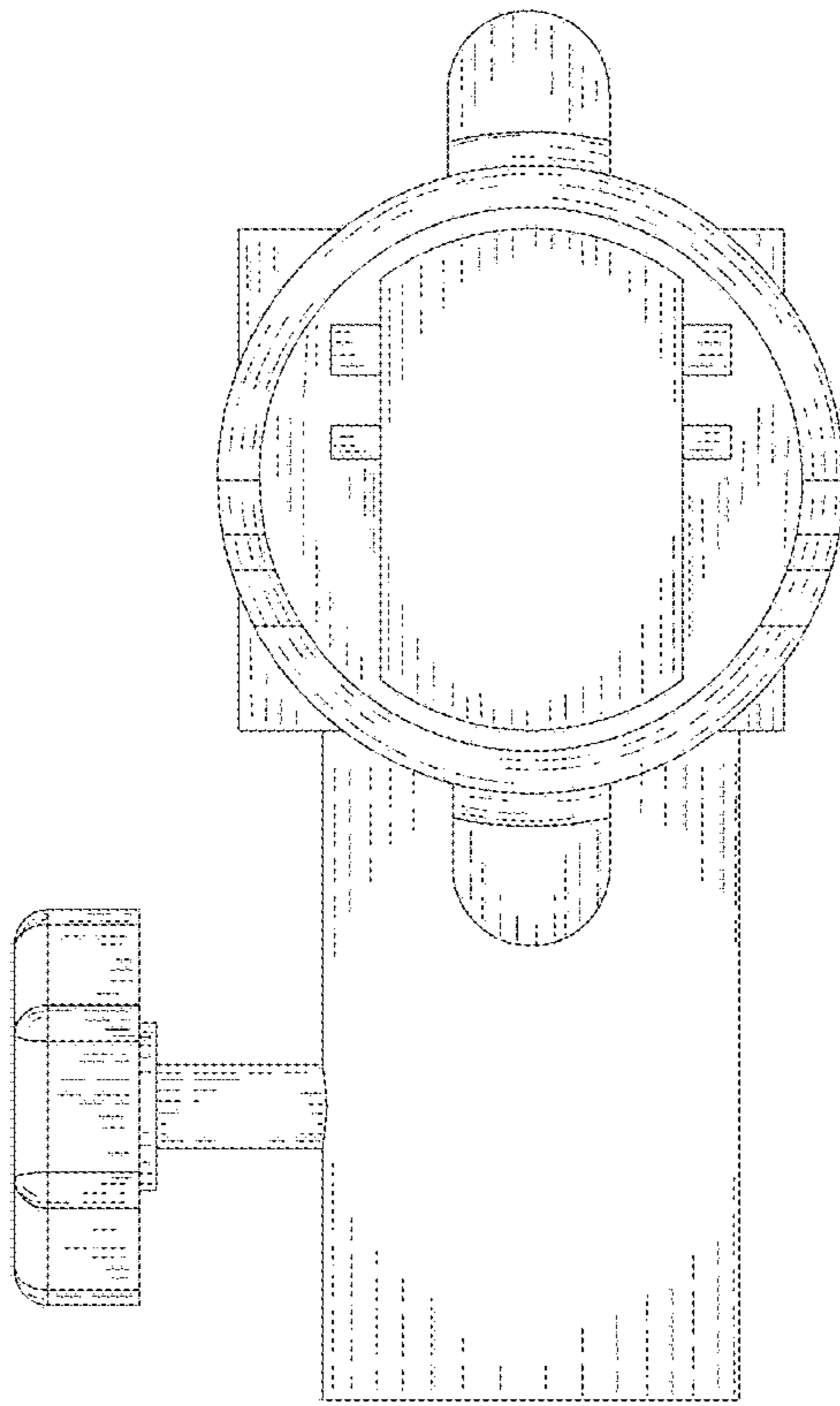


FIG. 9