



US00D850518S

(12) **United States Design Patent** (10) **Patent No.:** **US D850,518 S**
Gan (45) **Date of Patent:** **** Jun. 4, 2019**

(54) **PROJECTOR**

FOREIGN PATENT DOCUMENTS

(71) Applicant: **Shenzhen Valuelink E-Commerce Co., Ltd.**, Shenzhen, Guangdong (CN)

CN 304630538 * 10/2017
CN 304647065 * 3/2018
CN 304849027 * 4/2018
JP D1612245 * 4/2018

(72) Inventor: **Qingcao Gan**, Guangdong (CN)

(73) Assignee: **SHENZHEN VALUELINK E-COMMERCE CO., LTD.**, Shenzhen (CN)

OTHER PUBLICATIONS

Vankyo Leisure 3 Mini Projector. Date Dec. 21, 2017. Retrieved on Feb. 6, 2019. Retrieved from the Internet: <https://www.amazon.com/Leisure-Upgraded-Portable-Projector-Compatible/dp/B078KF8CSX>.
XuanPad Mini Projector. Date Apr. 13, 20218. Retrieved on Feb. 6, 2019. Retrieved from the Internet: <https://www.amazon.co.uk/XuanPad-Projector-Portable-video-projector-Multimedia-M8-F-1/dp/B07GBVNQ6Q>.

(**) Term: **15 Years**

(21) Appl. No.: **29/645,713**

(22) Filed: **Apr. 27, 2018**

(51) **LOC (11) Cl.** **16-02**

(52) **U.S. Cl.**
USPC **D16/230; D16/225**

(58) **Field of Classification Search**
USPC D16/221, 225, 230, 234, 231; D21/514
CPC G03B 21/145; G03B 21/14; G03B 21/001;
G03B 21/003; G03B 21/00; G03B 21/12;
G03B 21/16; G03B 21/142
See application file for complete search history.

* cited by examiner

Primary Examiner — Wan Laymon

(74) *Attorney, Agent, or Firm* — Hauptman Ham, LLP

(57) **CLAIM**

The ornamental design for a projector, as shown and described.

DESCRIPTION

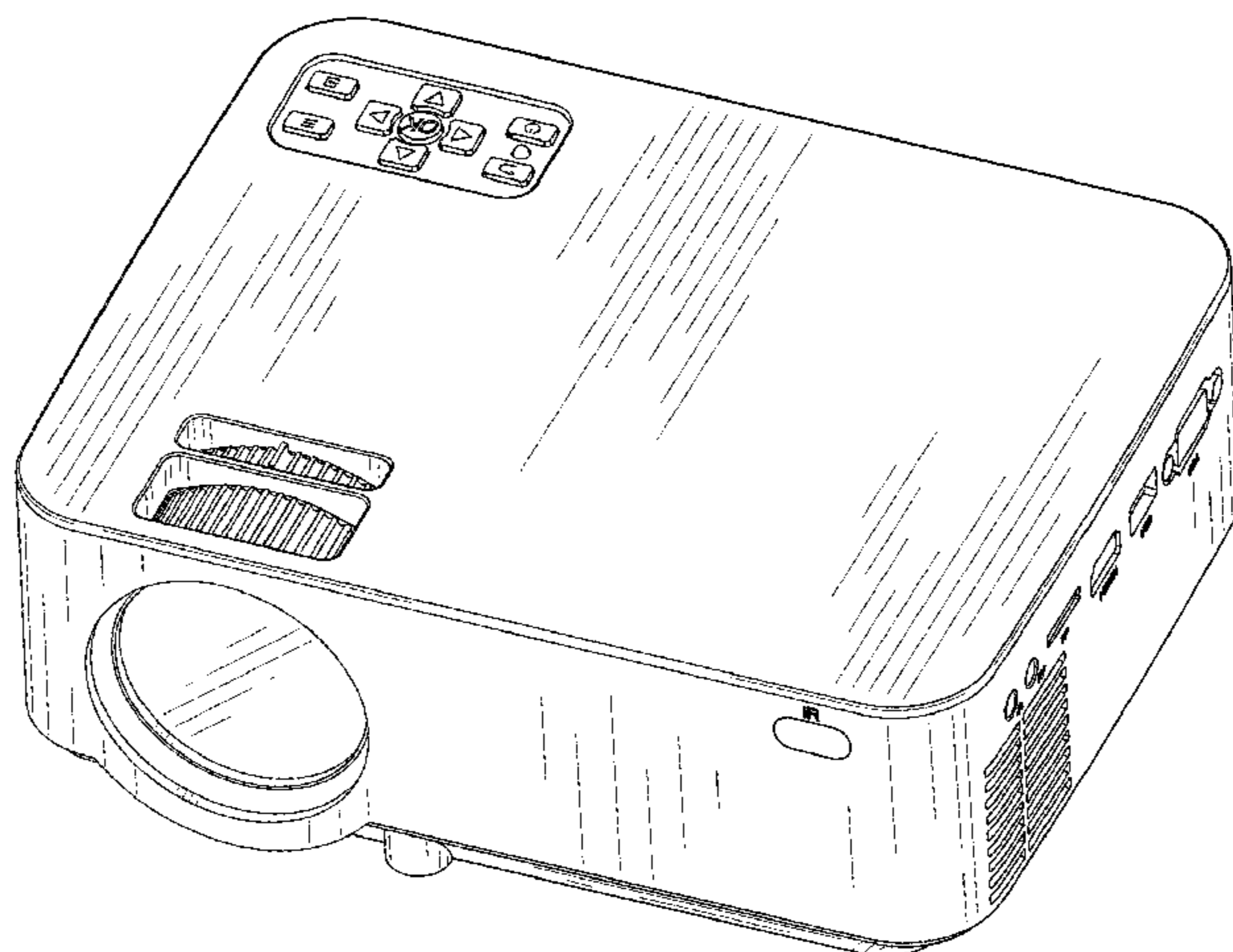
FIG. 1 is a front view of a projector showing the new design; FIG. 2 is a rear view thereof; FIG. 3 is a left side view thereof; FIG. 4 is a right side view thereof; FIG. 5 is a top side view thereof; FIG. 6 is a bottom side view thereof; FIG. 7 is a top front perspective view thereof; and, FIG. 8 is a bottom front perspective view. The broken lines shown in the figures are included for the purpose of illustrating portions of the projector and form no part of the claimed design. The shade lines in the Figures show contour and not surface ornamentation.

(56) **References Cited**

U.S. PATENT DOCUMENTS

D503,733 S * 4/2005 Kurokawa D16/225
D550,269 S * 9/2007 Salvatori D16/221
D555,185 S * 11/2007 Nozue D16/225
D575,811 S * 8/2008 Ohki D16/225
D608,814 S * 1/2010 Nagase D16/225
8,104,902 B2 * 1/2012 Mao G03B 21/16
348/241
D727,996 S * 4/2015 Ogawa D16/230
D828,431 S * 9/2018 Gan D16/230
D831,096 S * 10/2018 Gao D16/230

1 Claim, 6 Drawing Sheets



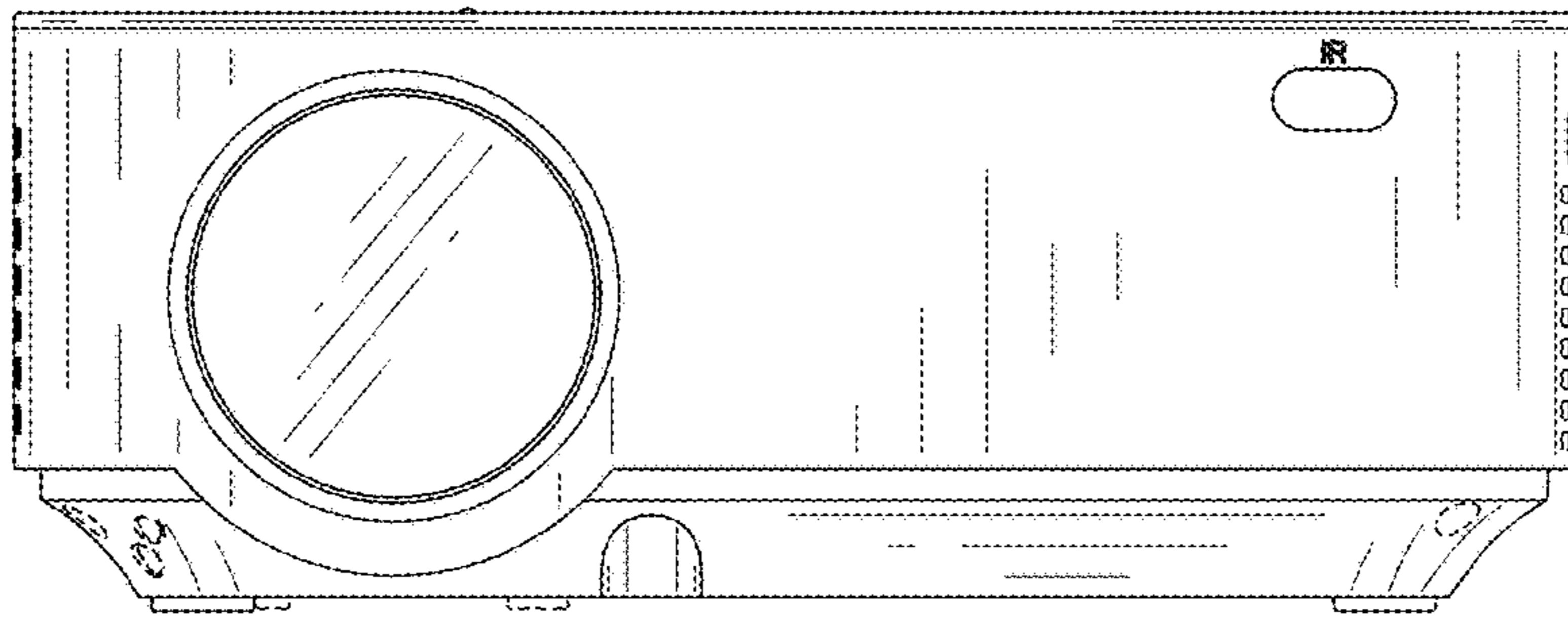


FIG. 1

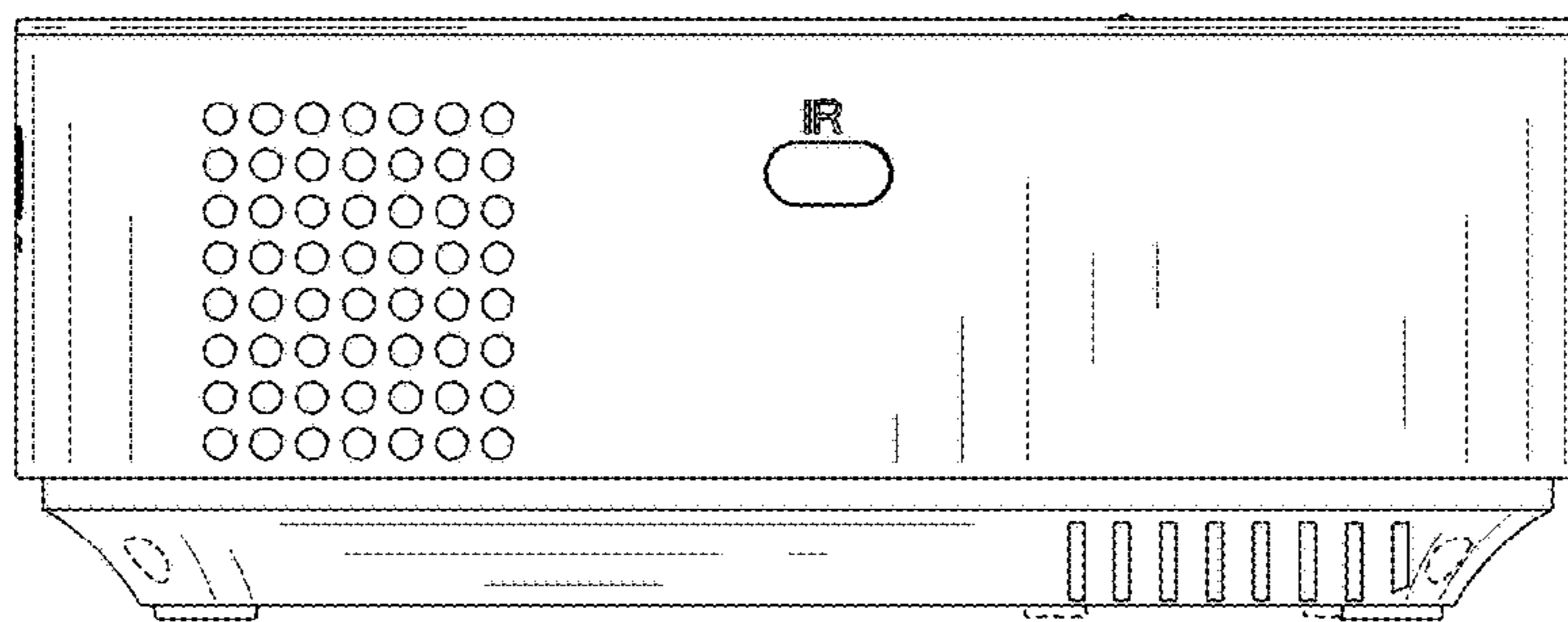


FIG. 2

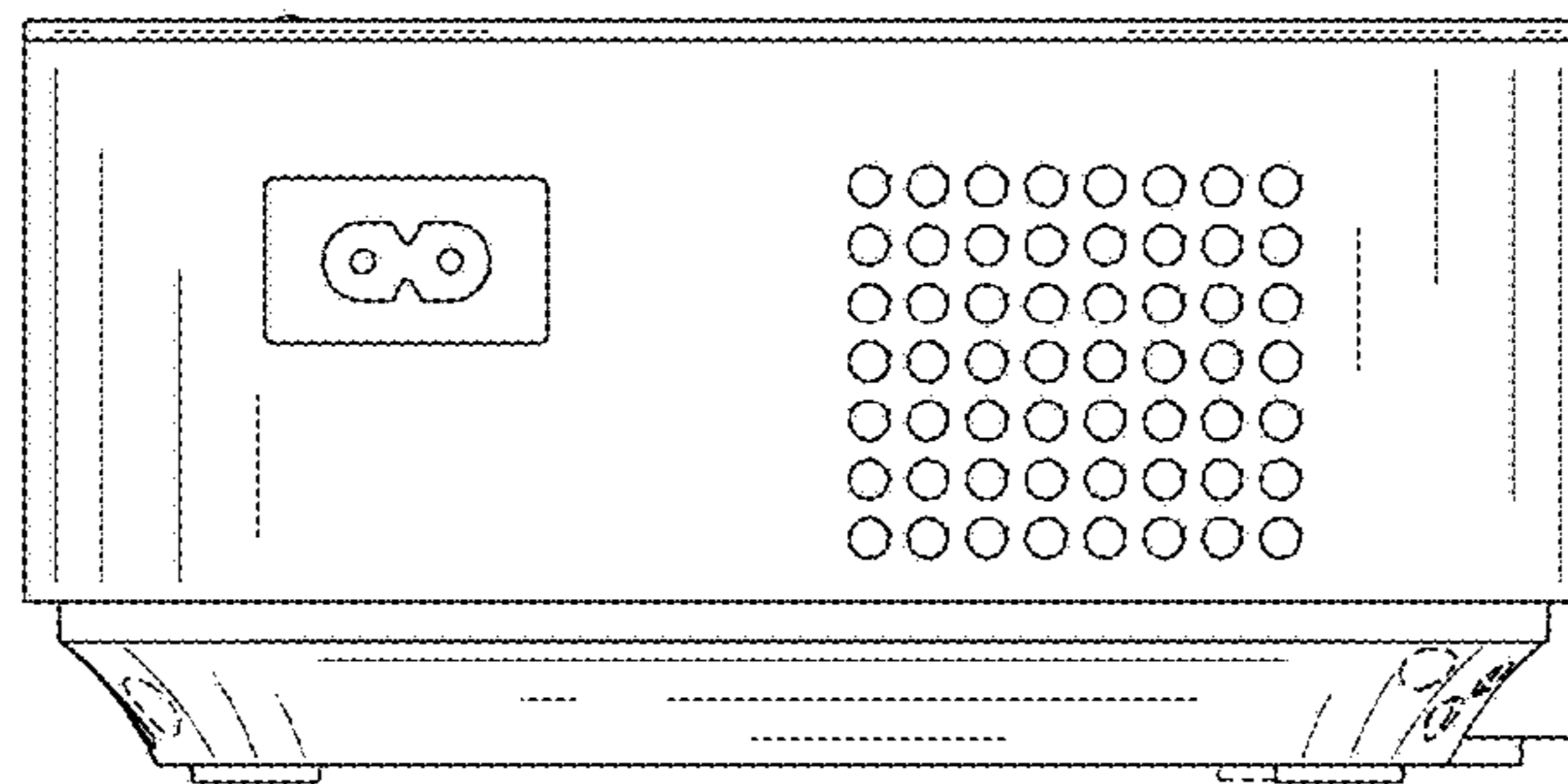


FIG.3

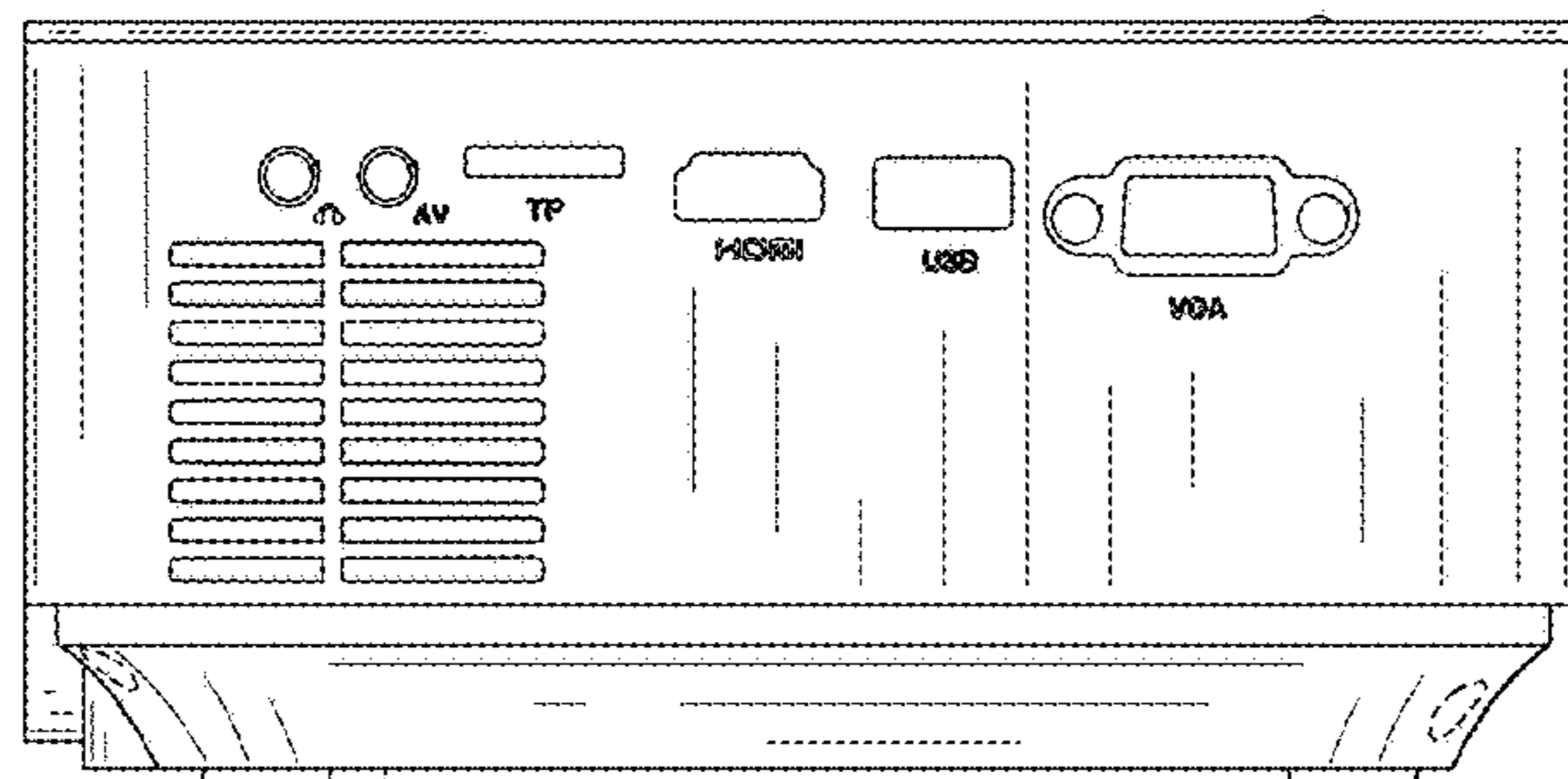


FIG.4

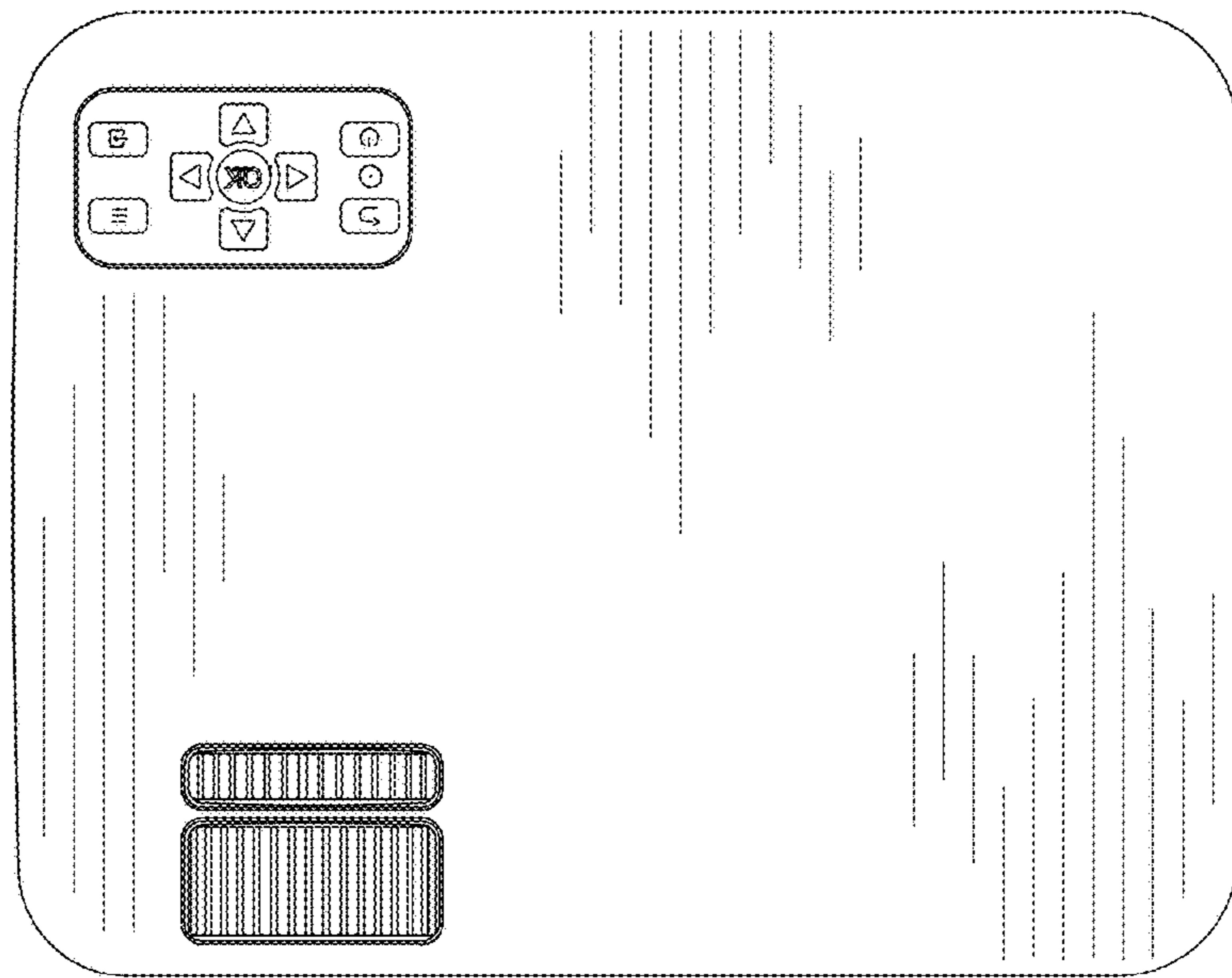


FIG.5

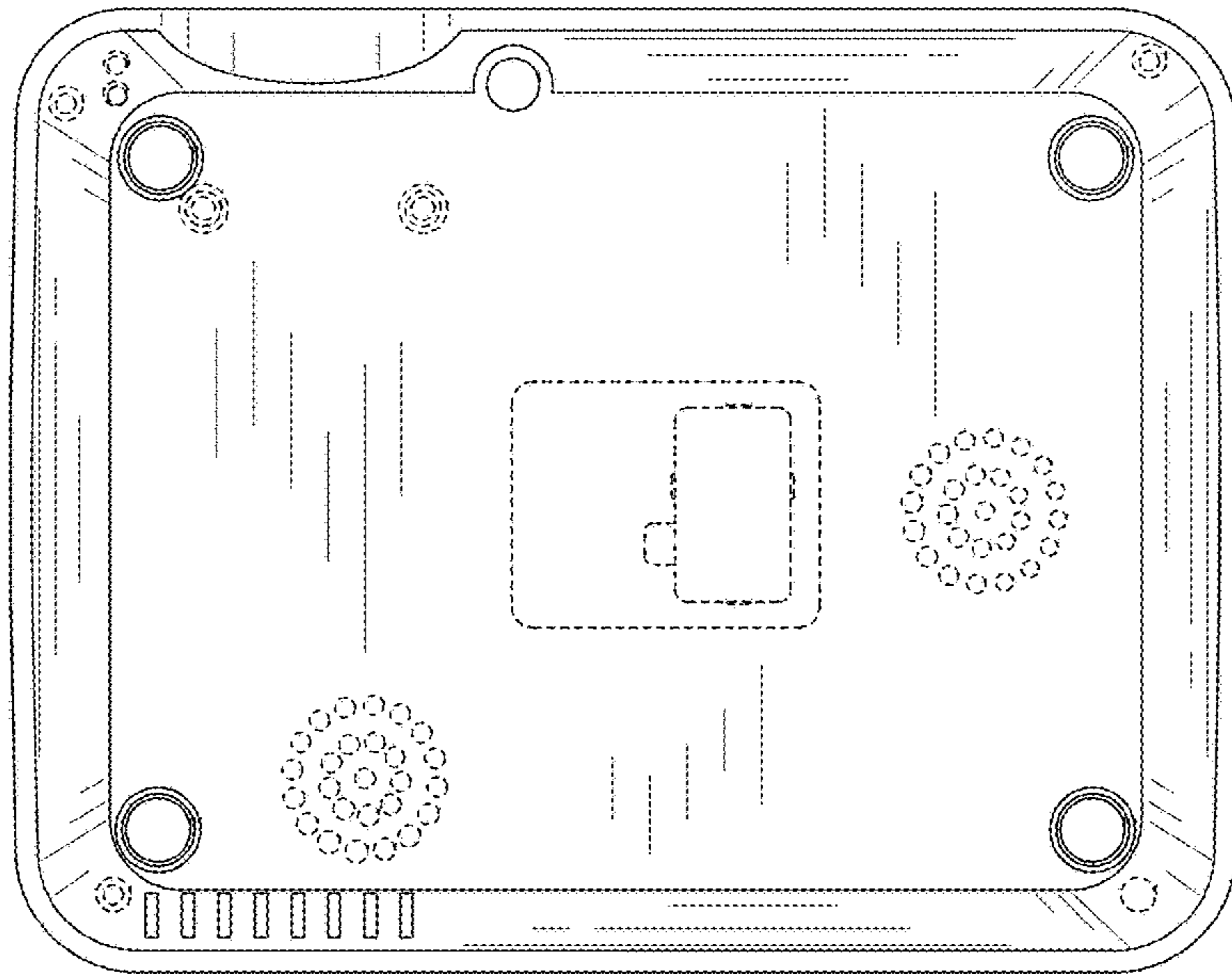


FIG.6

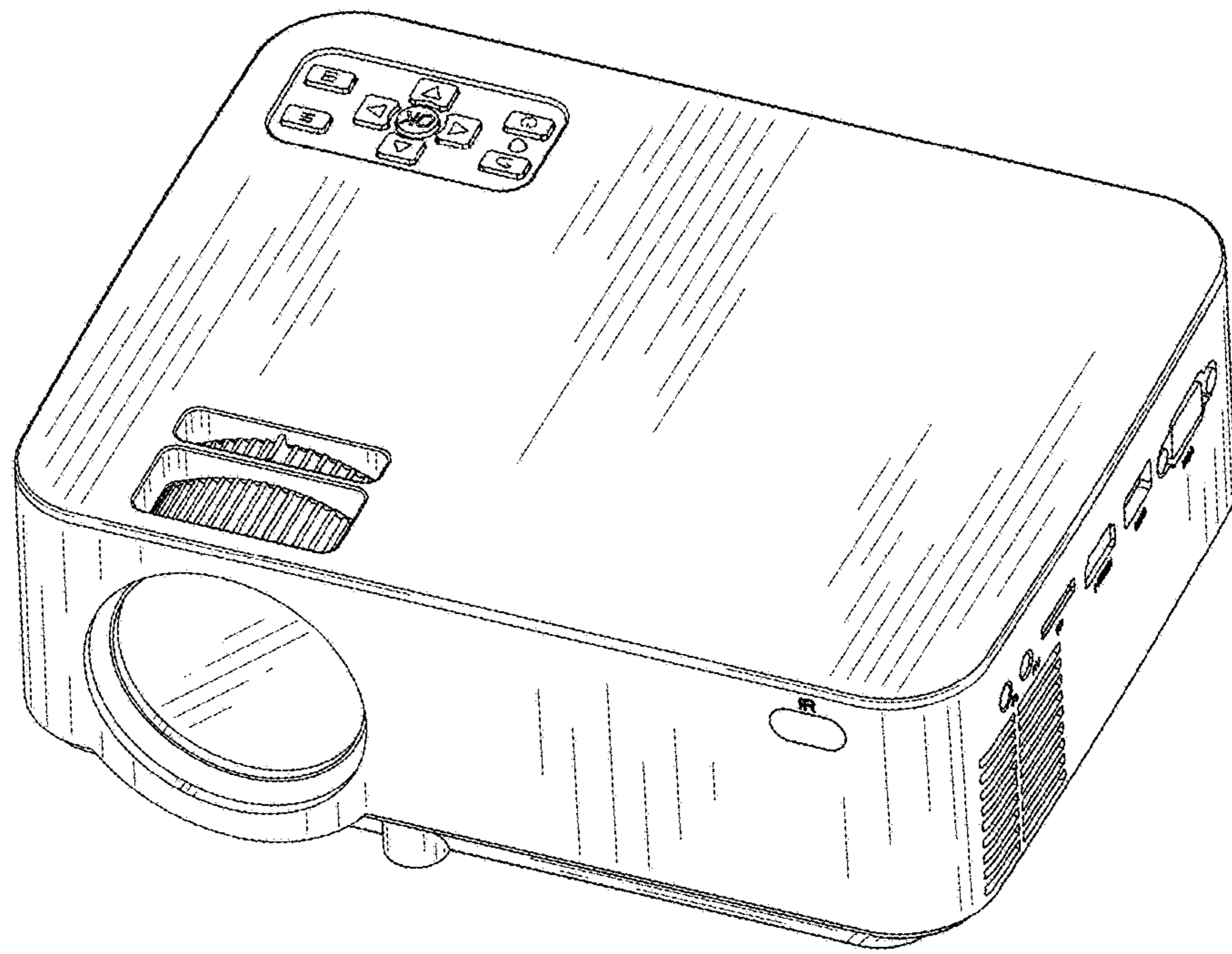


FIG.7

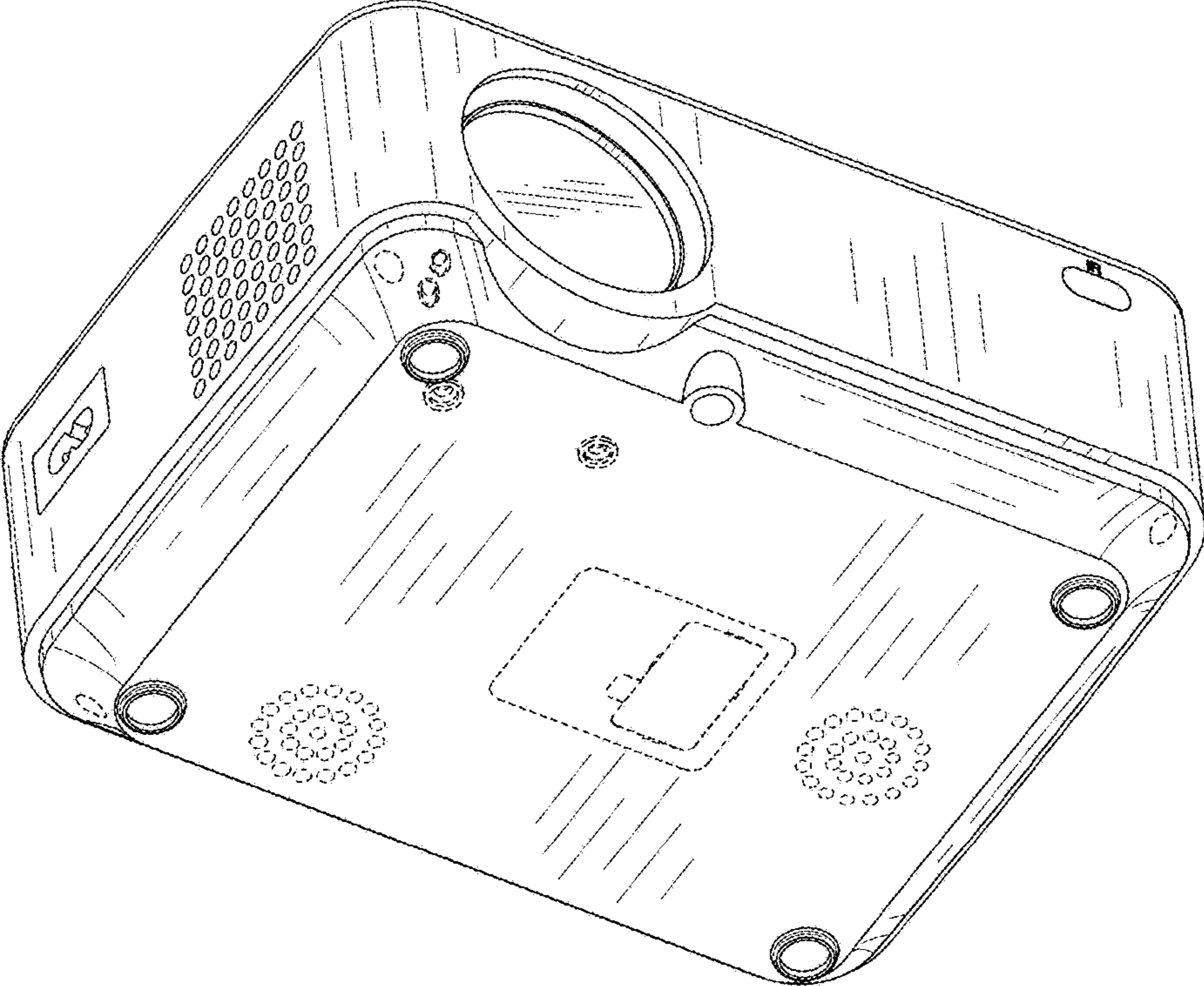


FIG.8