



US00D850516S

(12) **United States Design Patent**  
**Zhang**

(10) **Patent No.:** **US D850,516 S**

(45) **Date of Patent:** **\*\* Jun. 4, 2019**

(54) **PROJECTOR**

(71) Applicant: **Shenzhen Le Jia Da Technology Co., Ltd**, Shenzhen, Guangdong Province (CN)

(72) Inventor: **Chunmei Zhang**, Shenzhen (CN)

(73) Assignee: **Shenzhen Le Jia Da Technology Co., Ltd**, Shenzhen (CN)

(\*\*) Term: **15 Years**

(21) Appl. No.: **29/614,915**

(22) Filed: **Aug. 24, 2017**

(30) **Foreign Application Priority Data**

Apr. 19, 2017 (CN) ..... 2017 3 0131494

(51) **LOC (11) Cl.** ..... **16-02**

(52) **U.S. Cl.**  
USPC ..... **D16/230; D16/225**

(58) **Field of Classification Search**  
USPC ..... D16/221, 225, 230, 231, 234; D21/514  
CPC ..... G03B 21/145; G03B 21/14; G03B 21/12; G03B 21/001; G03B 21/003; G03B 21/00  
See application file for complete search history.

(56) **References Cited**

**U.S. PATENT DOCUMENTS**

D321,527 S \* 11/1991 Kurozumi ..... D16/205  
D398,321 S \* 9/1998 Iida ..... D16/221

D522,037 S \* 5/2006 Inoue ..... D16/225  
D522,561 S \* 6/2006 Ikeuchi ..... D16/225  
7,354,161 B2 \* 4/2008 Kuroda ..... G03B 21/145  
348/E5.143  
D599,393 S \* 9/2009 Takeda ..... D16/225  
D709,120 S \* 7/2014 Isozaki ..... D16/225  
D762,256 S \* 7/2016 Han ..... D16/225

\* cited by examiner

*Primary Examiner* — Wan Laymon

(74) *Attorney, Agent, or Firm* — Bay State IP, LLC

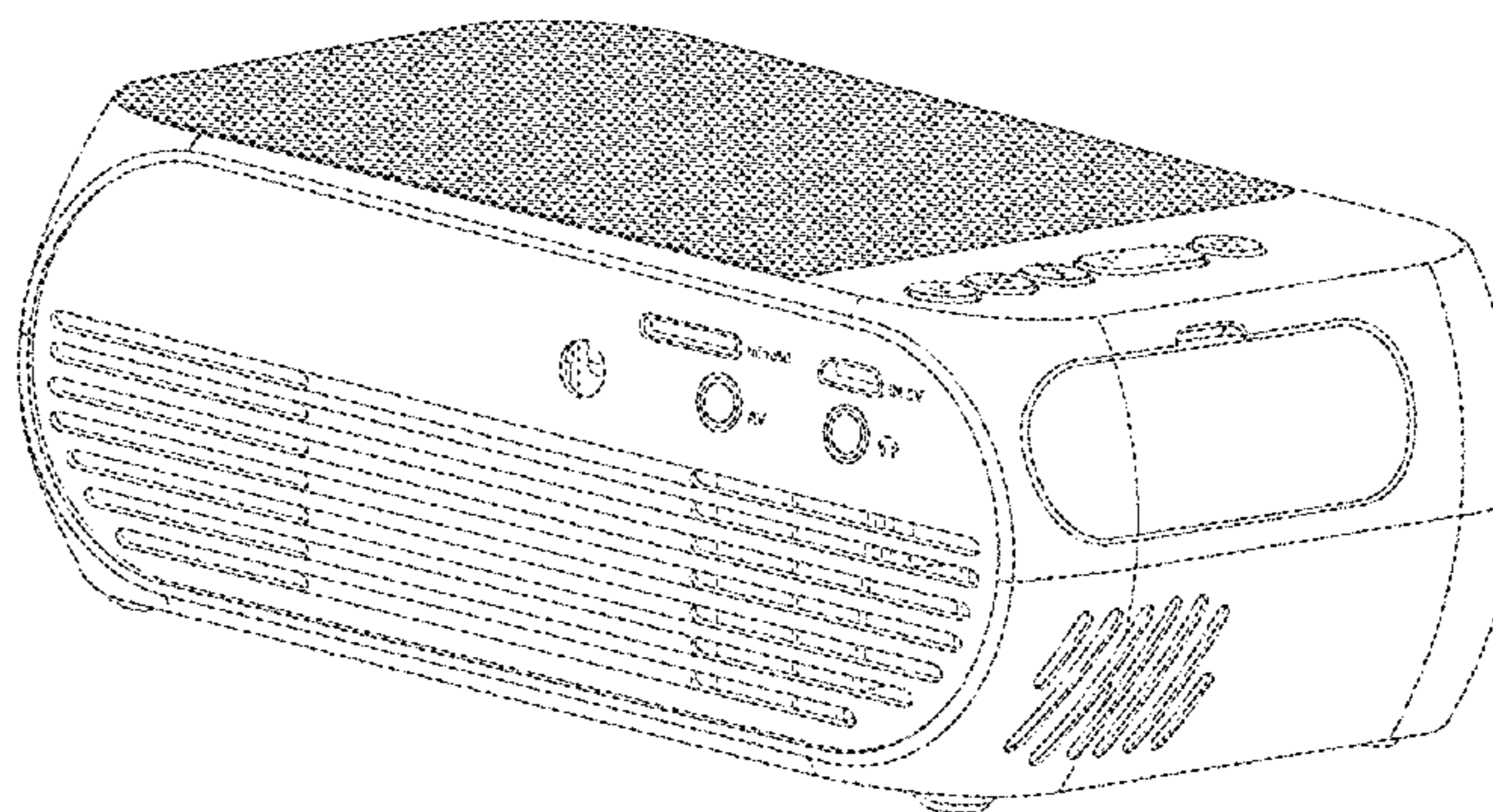
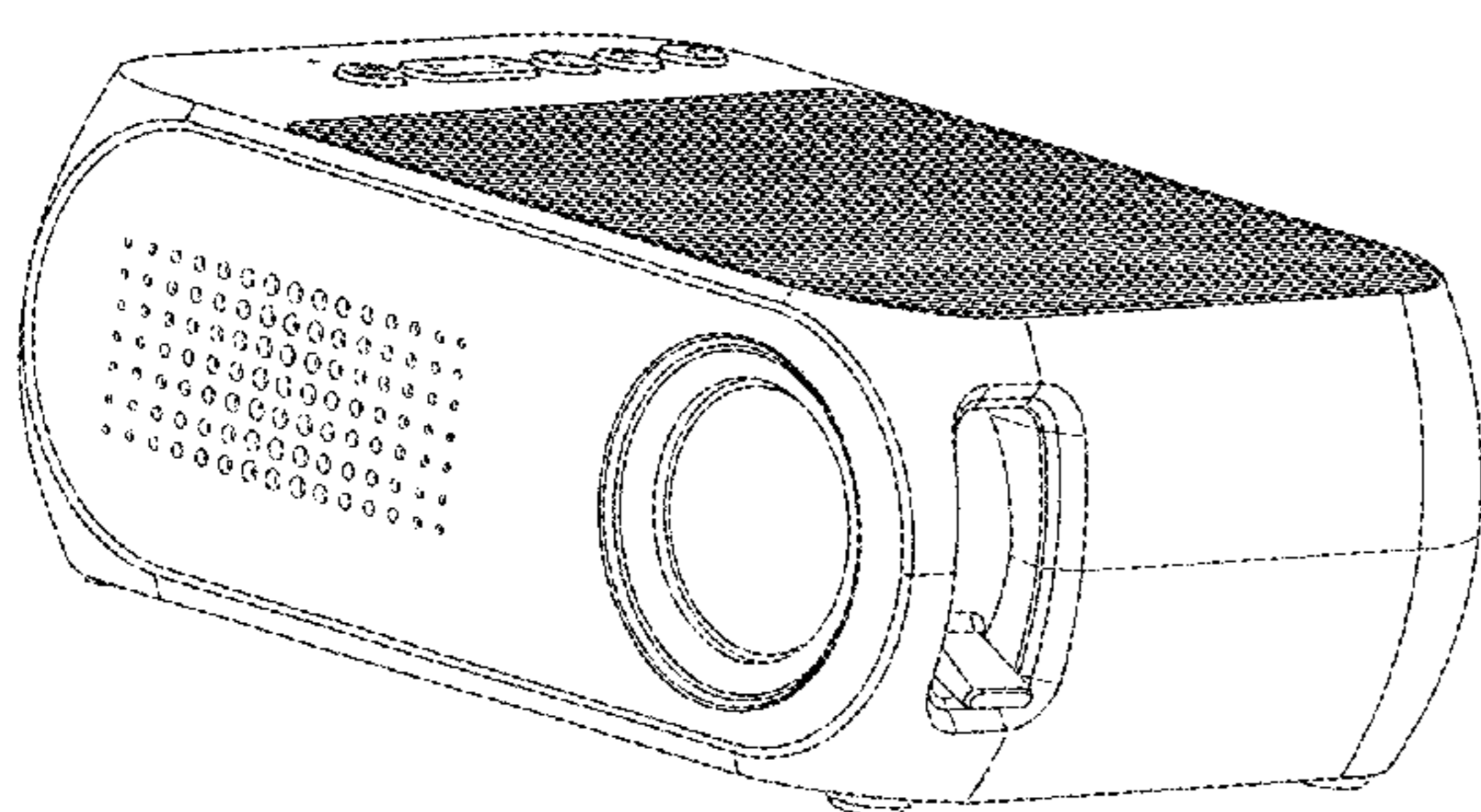
(57) **CLAIM**

The ornamental design for a projector, as shown and described.

**DESCRIPTION**

FIG. 1 is a front perspective view of a projector showing my new design;  
FIG. 2 is a front view thereof;  
FIG. 3 is a back view thereof;  
FIG. 4 is a right side view thereof;  
FIG. 5 is a left side view thereof;  
FIG. 6 is a top view thereof;  
FIG. 7 is a bottom view thereof; and,  
FIG. 8 is a back perspective view thereof.

**1 Claim, 6 Drawing Sheets**



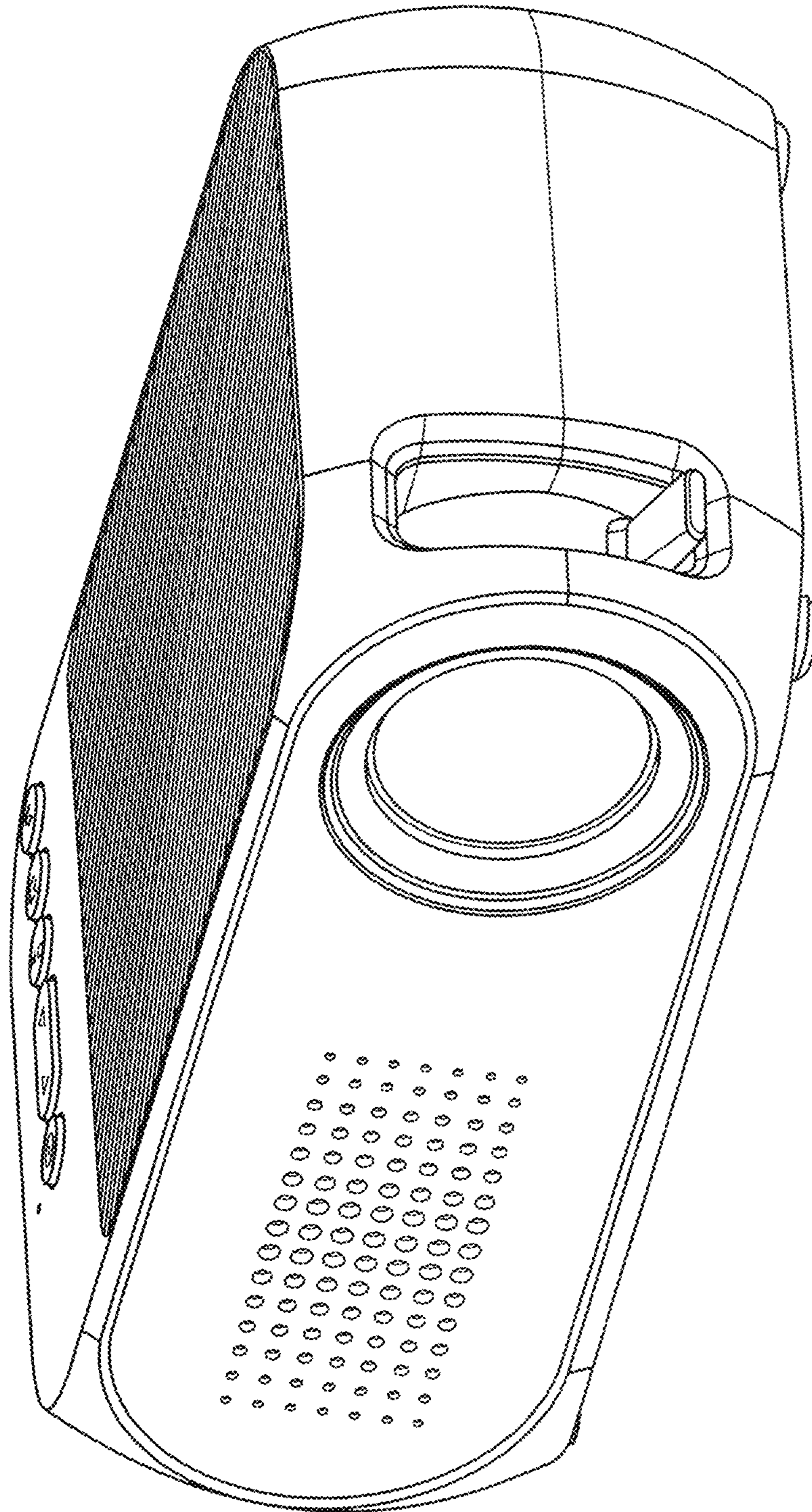


Fig. 1



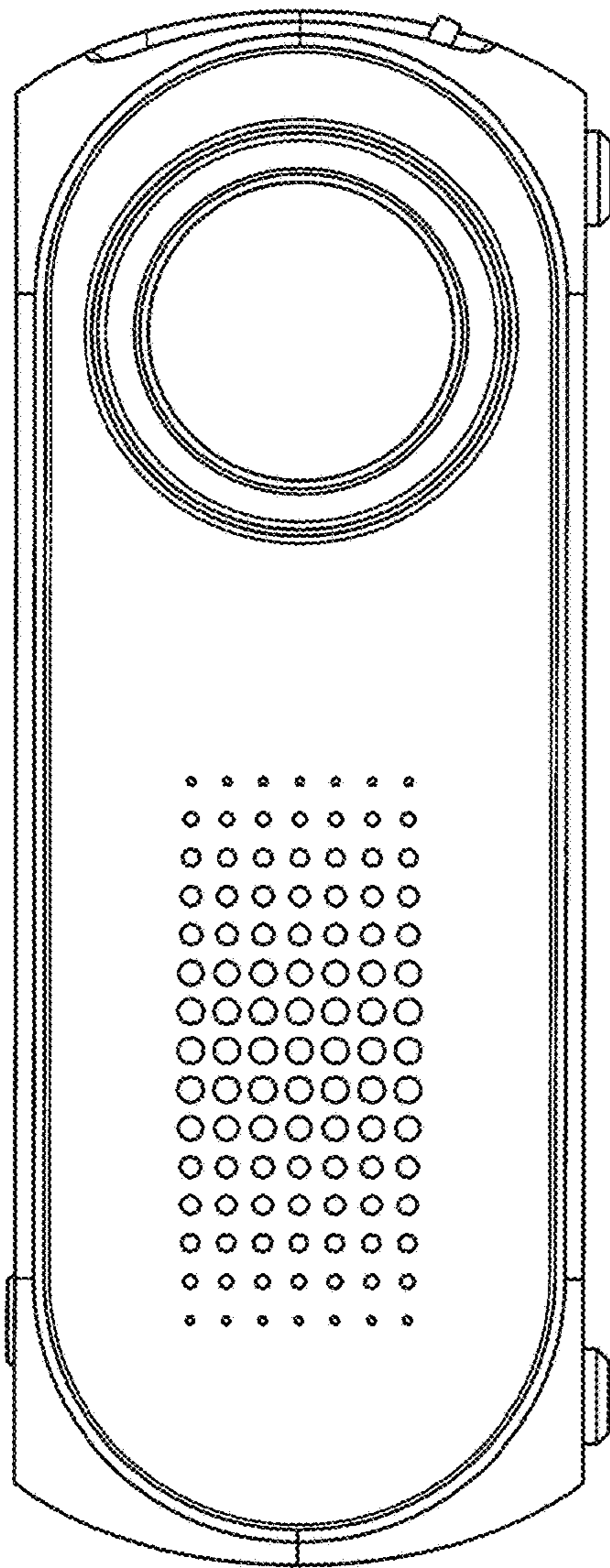


Fig. 2

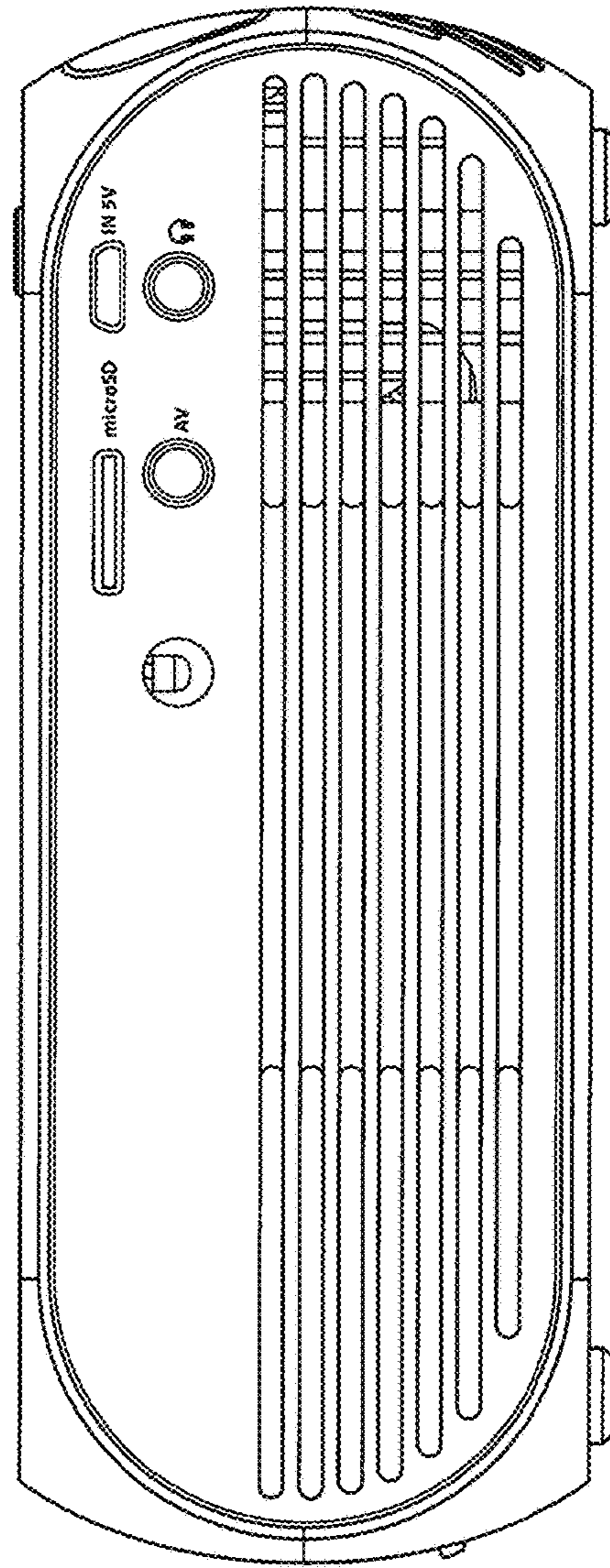


Fig. 3

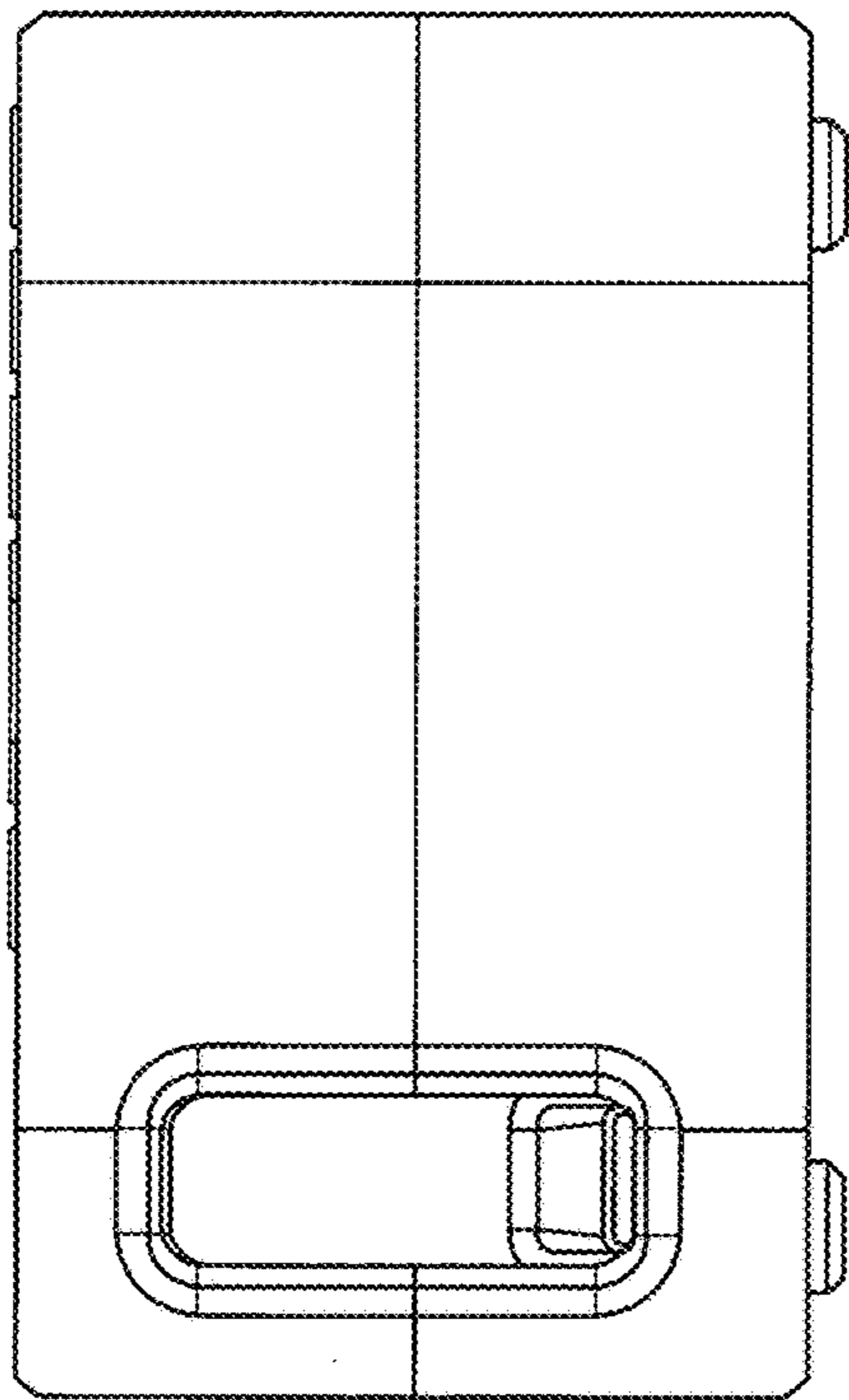


Fig. 4

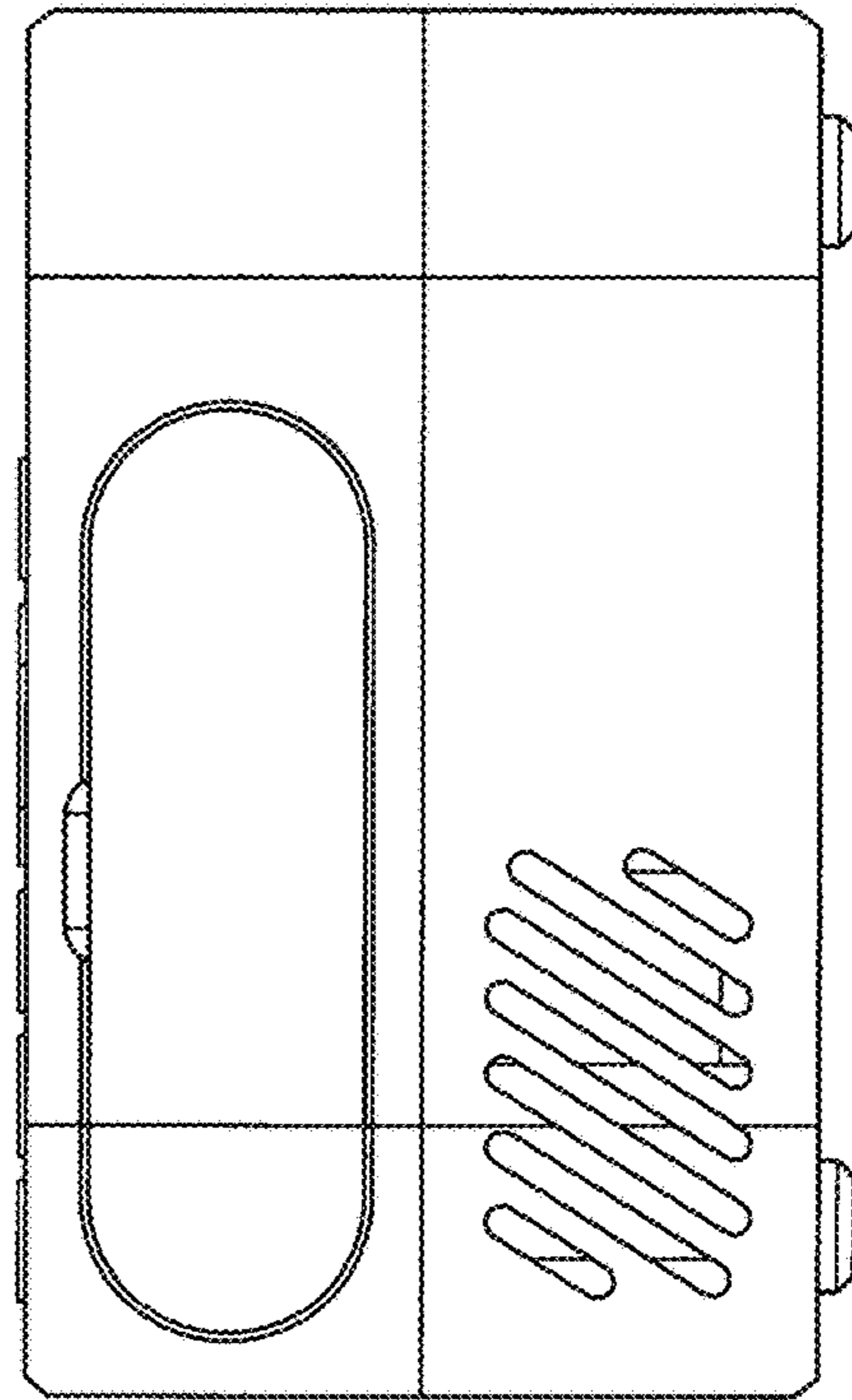


Fig. 5



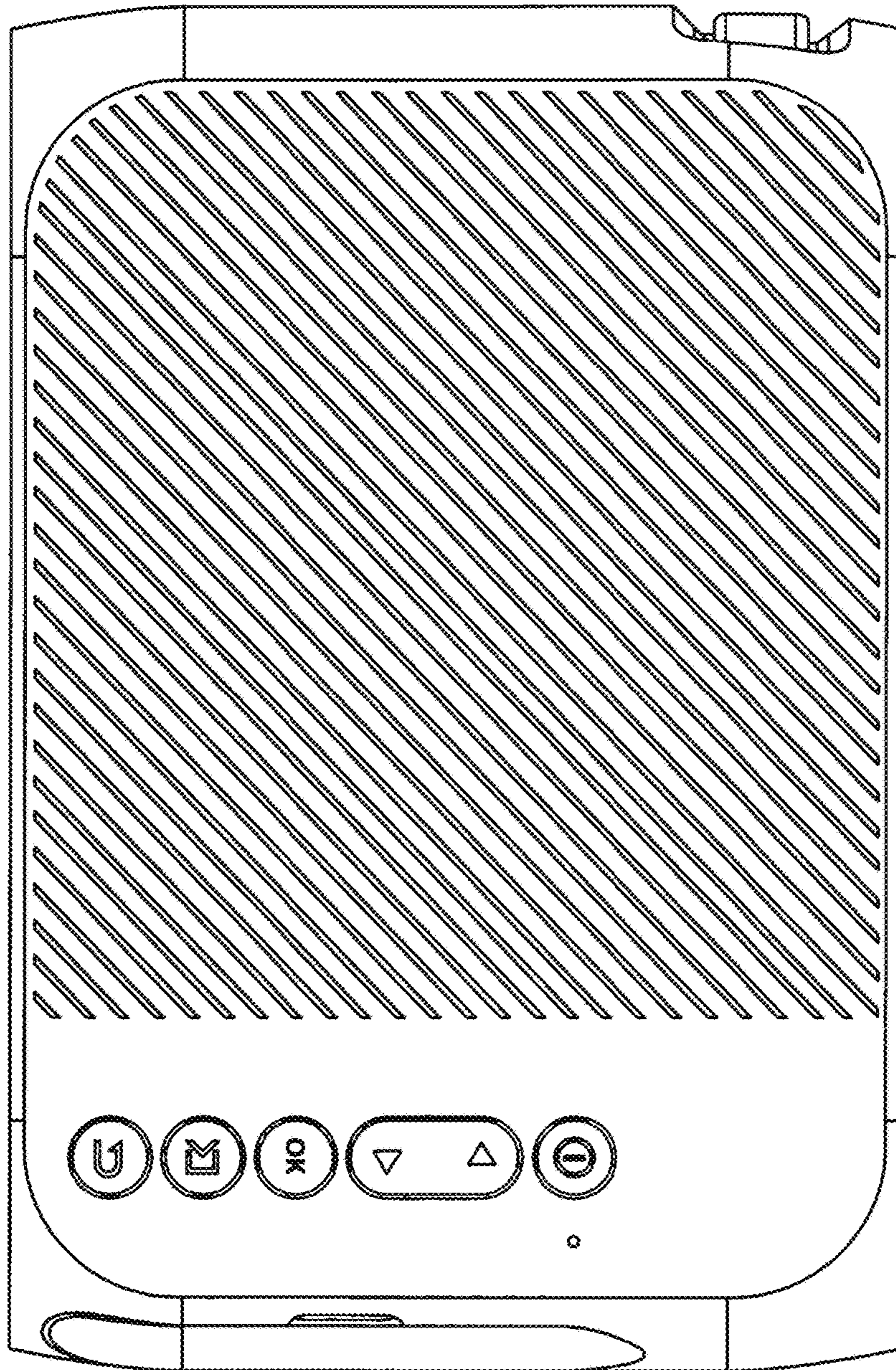


Fig. 6

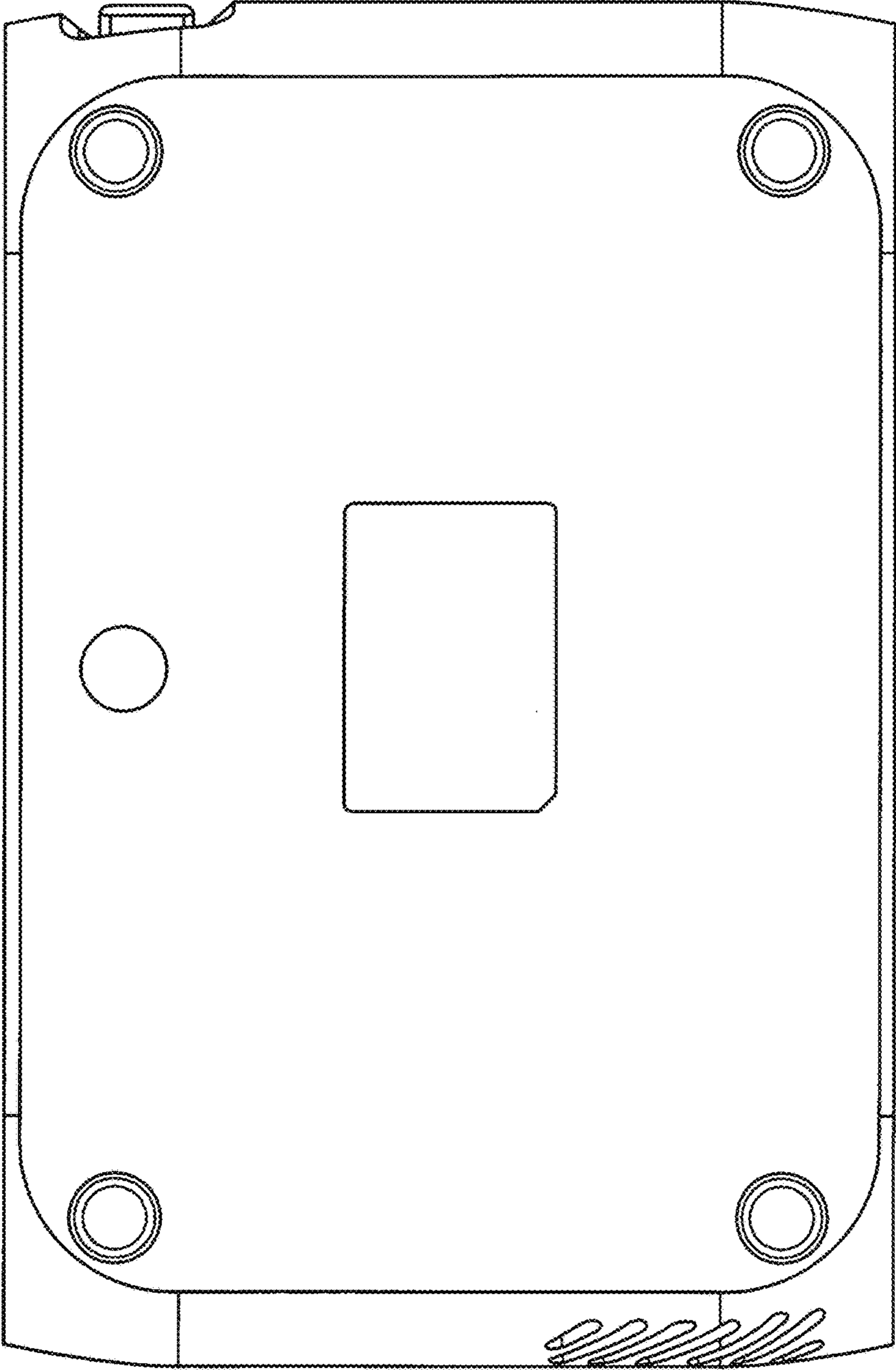


Fig. 7



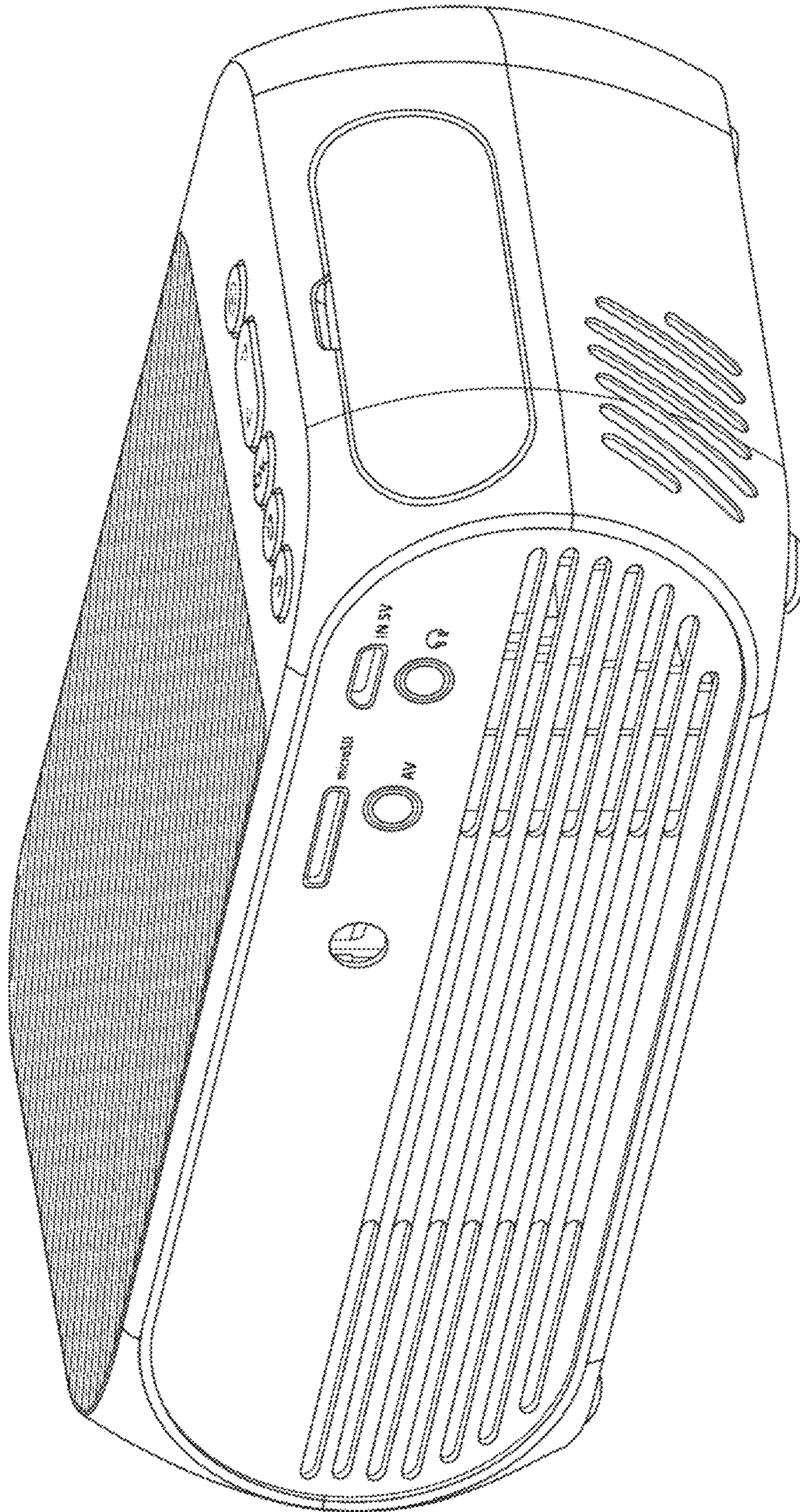


Fig. 8