



US00D850513S

(12) **United States Design Patent**  
**Gan et al.**

(10) **Patent No.:** **US D850,513 S**

(45) **Date of Patent:** **\*\* Jun. 4, 2019**

(54) **MOBILE DIGITAL VIDEO CAMERA**

(71) Applicant: **Shenzhen Valuelink E-Commerce Co., Ltd.**, Shenzhen (CN)

(72) Inventors: **Qing-Cao Gan**, Shenzhen (CN);  
**Zhi-Hui Hu**, Shenzhen (CN)

(73) Assignee: **Shenzhen Valuelink E-Commerce Co., Ltd.**, Shenzhen (CN)

(\*\*) Term: **15 Years**

(21) Appl. No.: **29/625,913**

(22) Filed: **Nov. 14, 2017**

(30) **Foreign Application Priority Data**

Jun. 15, 2017 (CN) ..... 2017 3 0244672

(51) **LOC (11) Cl.** ..... **16-01**

(52) **U.S. Cl.**  
USPC ..... **D16/218**

(58) **Field of Classification Search**  
USPC ..... D16/200, 202–206, 208, 209, 218, 219;  
348/294, 373–376; 359/826; 396/6, 301,  
396/529, 535, 539–541  
CPC ..... G03B 15/03; G03B 17/02; G03B 17/04;  
G03B 17/56; G03B 19/04; H04N 5/2251;  
H04N 5/2252; H04N 5/2253; H04N  
5/2254; H04N 2101/00  
See application file for complete search history.

(56) **References Cited**

**U.S. PATENT DOCUMENTS**

D321,705 S \* 11/1991 Ohmura ..... D16/200  
D532,030 S \* 11/2006 Yoshida ..... D16/202  
D533,574 S \* 12/2006 Hamamura ..... D16/202  
7,626,621 B2 \* 12/2009 Ito ..... H04N 5/2253  
348/294

7,683,968 B2 \* 3/2010 Hagihara ..... G02B 27/0006  
348/373  
D721,395 S \* 1/2015 Woodman ..... D16/218  
D737,879 S \* 9/2015 Woodman ..... D16/218  
D750,686 S \* 3/2016 Chen ..... D16/218  
D751,131 S \* 3/2016 Woodman ..... D16/218  
D760,309 S \* 6/2016 Parfitt ..... D16/202  
D766,351 S \* 9/2016 Li ..... D16/202  
D769,346 S \* 10/2016 Nguyen ..... D16/218  
D775,254 S \* 12/2016 Parfitt ..... D16/202

\* cited by examiner

*Primary Examiner* — Ramzi S Almatrahi

(74) *Attorney, Agent, or Firm* — ScienBiziP, P.C.

(57) **CLAIM**

The ornamental design for a mobile digital video camera, as shown.

**DESCRIPTION**

This design patent application is related to U.S. Design patent application Ser. No. 29/625,913, filed concurrently with this design patent application.

FIG. 1 is a front perspective view of a mobile digital video camera showing our new design;

FIG. 2 is a rear perspective view of the mobile digital video of FIG. 1;

FIG. 3 is a front elevational view of the mobile digital video of FIG. 1;

FIG. 4 is a rear elevational view of the mobile digital video of FIG. 1;

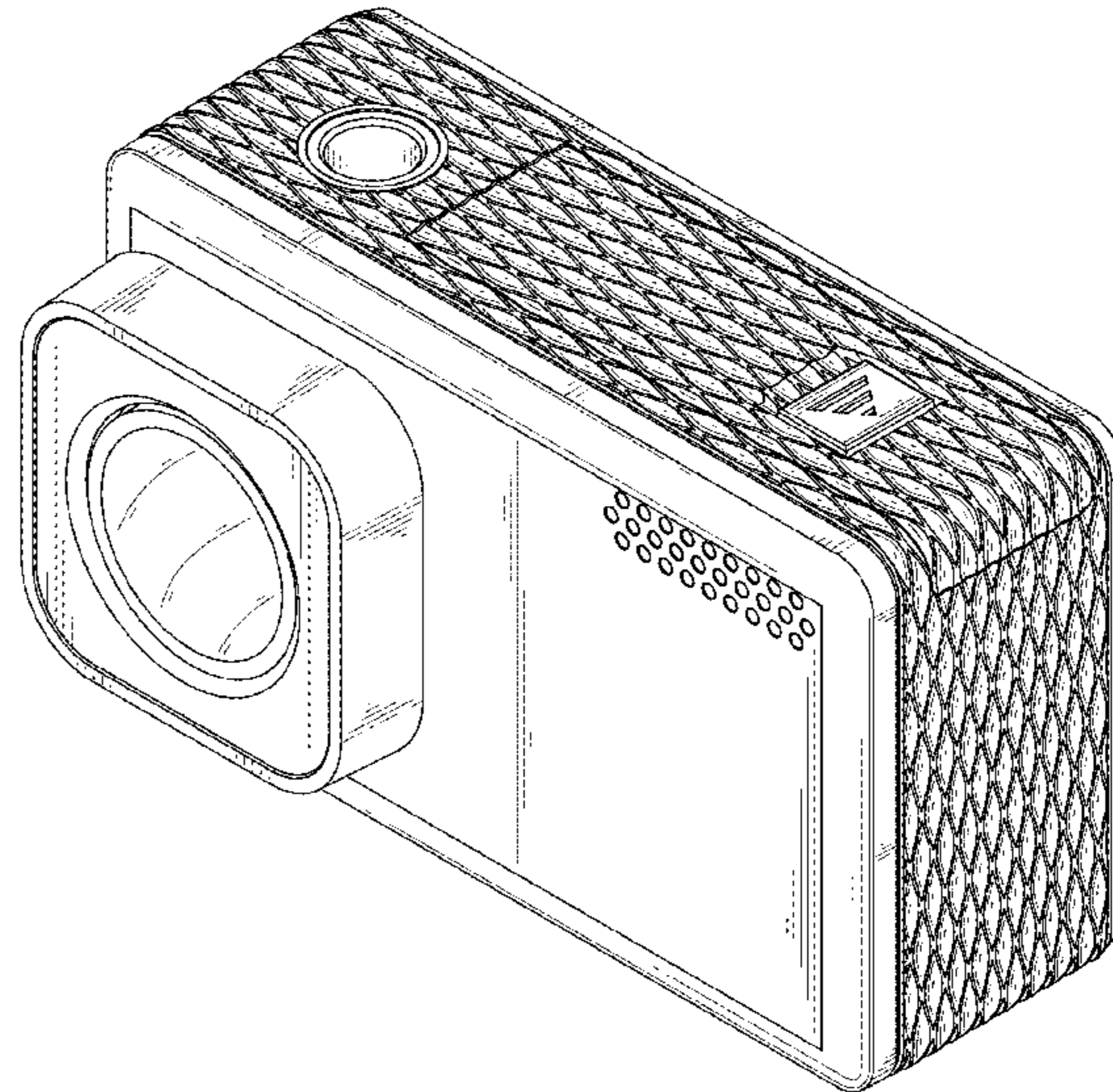
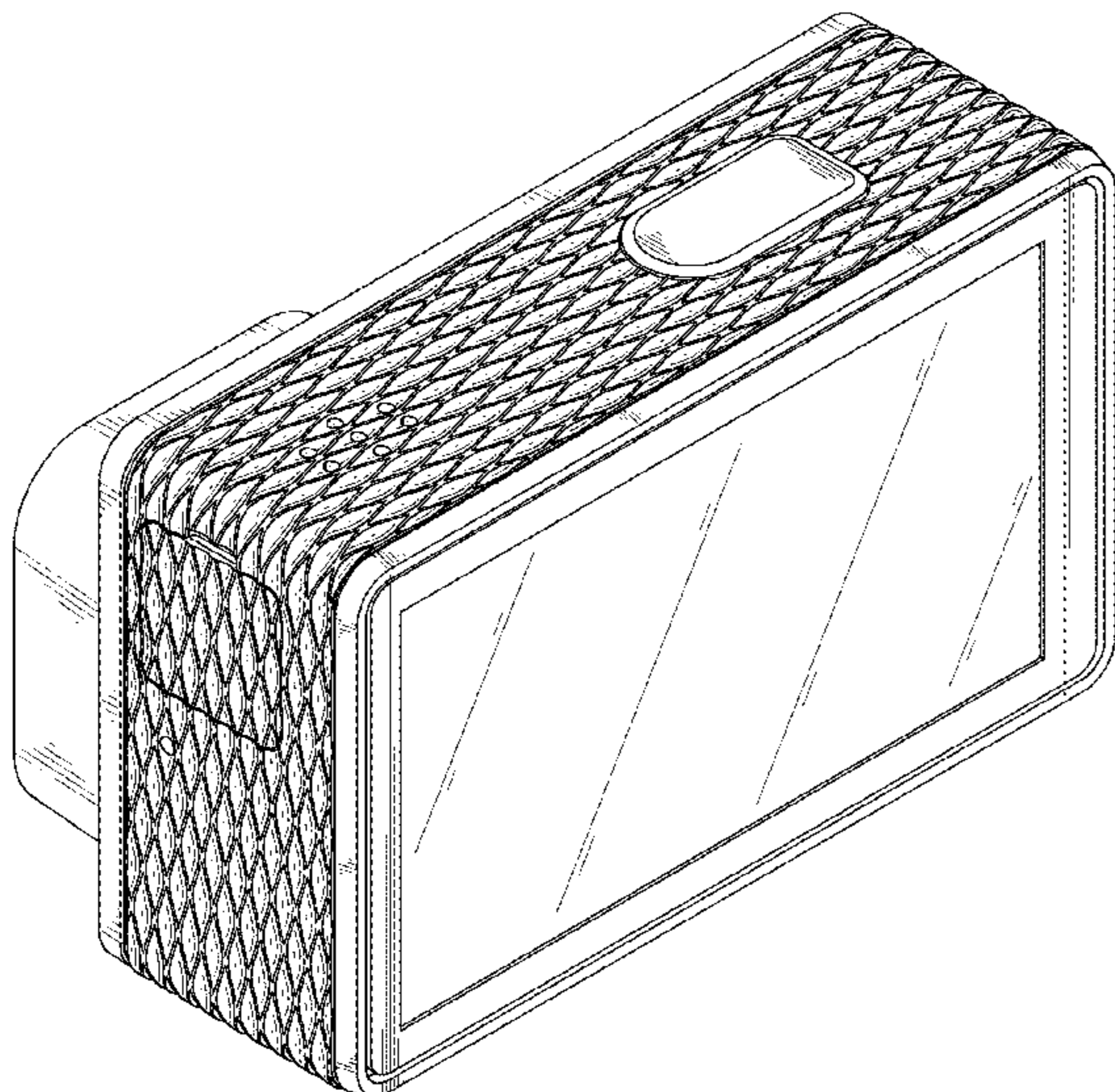
FIG. 5 is a left side elevational view of the mobile digital video of FIG. 1;

FIG. 6 is a right side elevational view of the mobile digital video of FIG. 1;

FIG. 7 is a top plan view of the mobile digital video of FIG. 1; and,

FIG. 8 is a bottom plan view of the mobile digital video of FIG. 1.

**1 Claim, 8 Drawing Sheets**



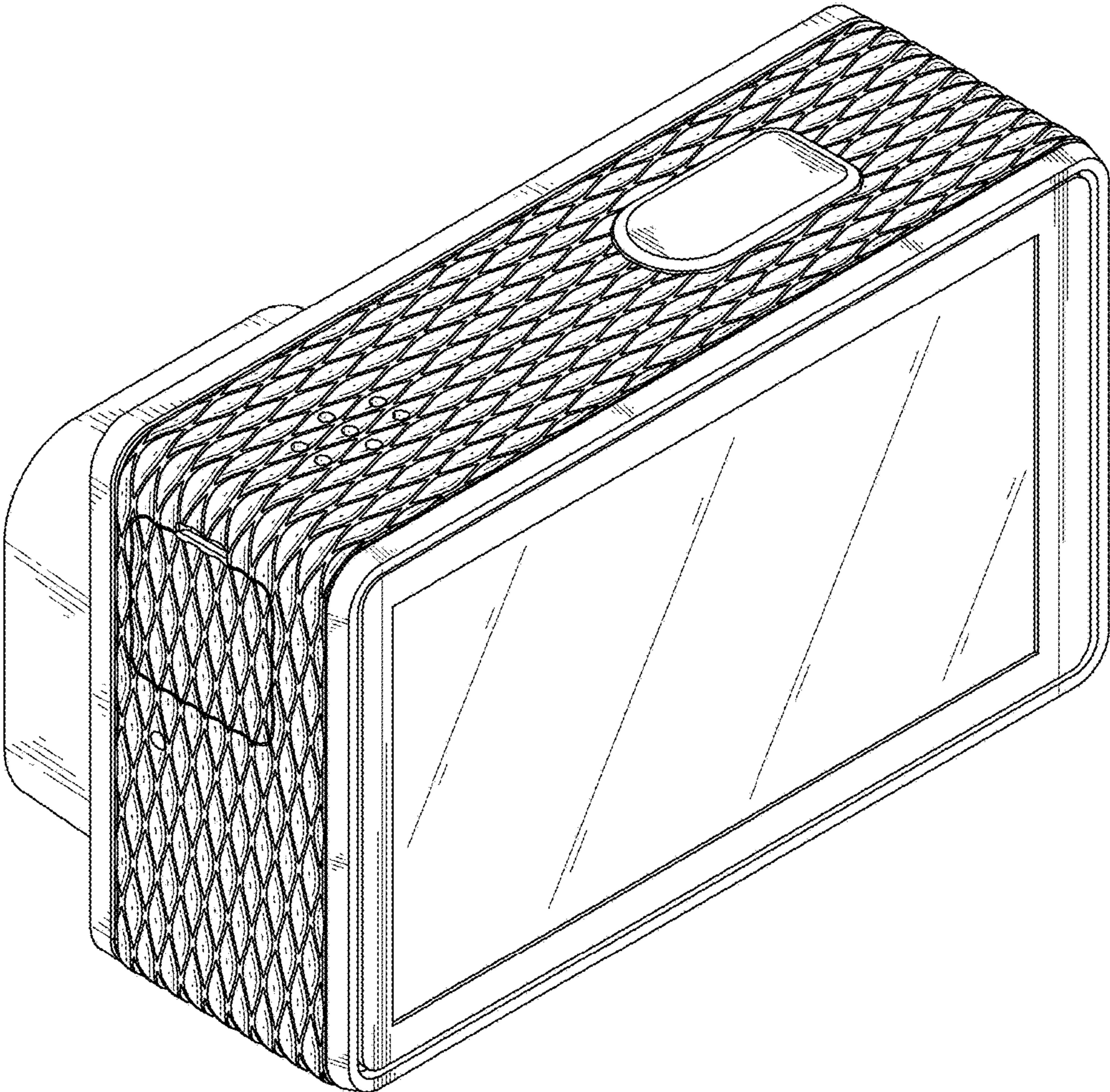


FIG. 1

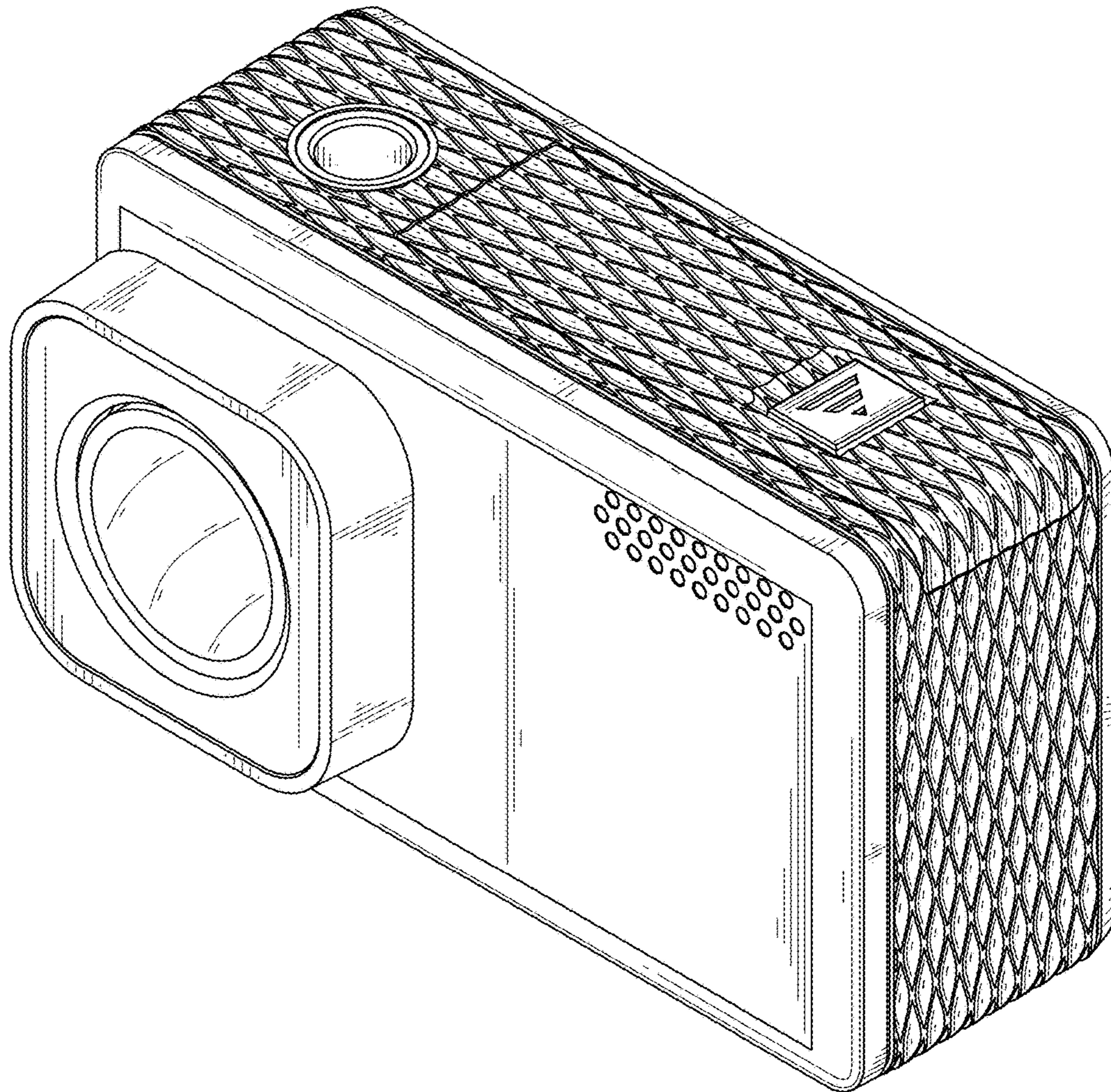


FIG. 2

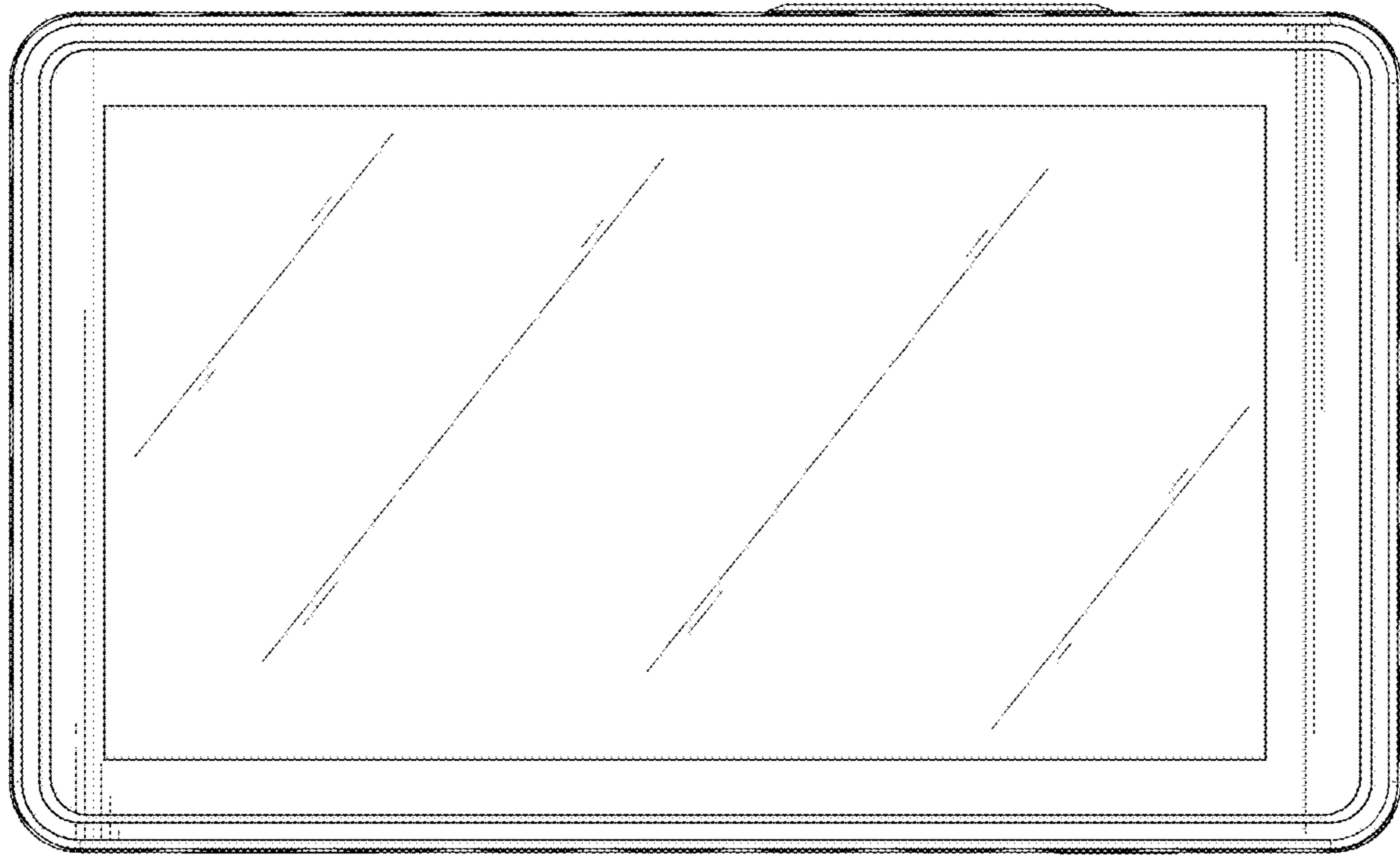


FIG. 3

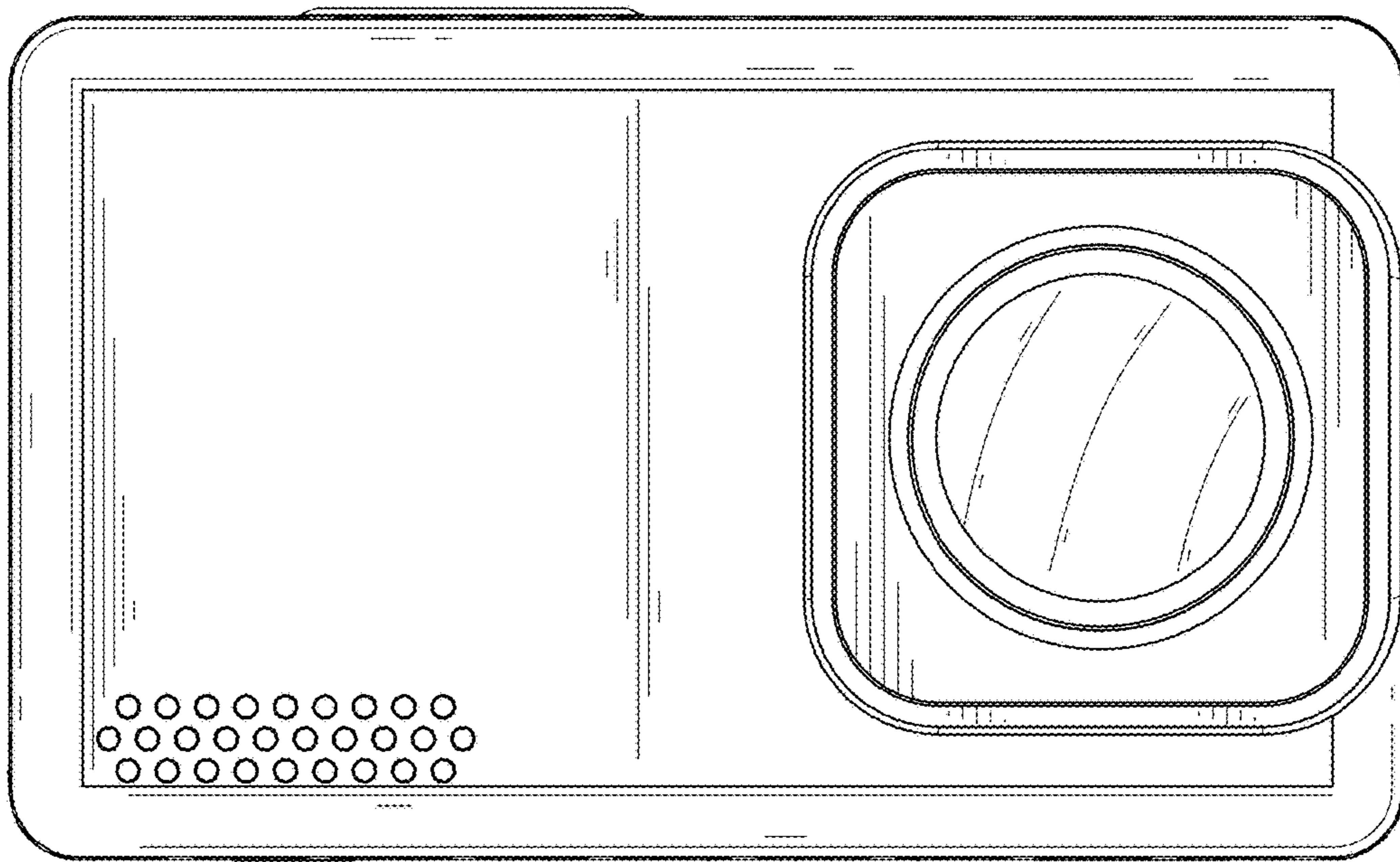


FIG. 4

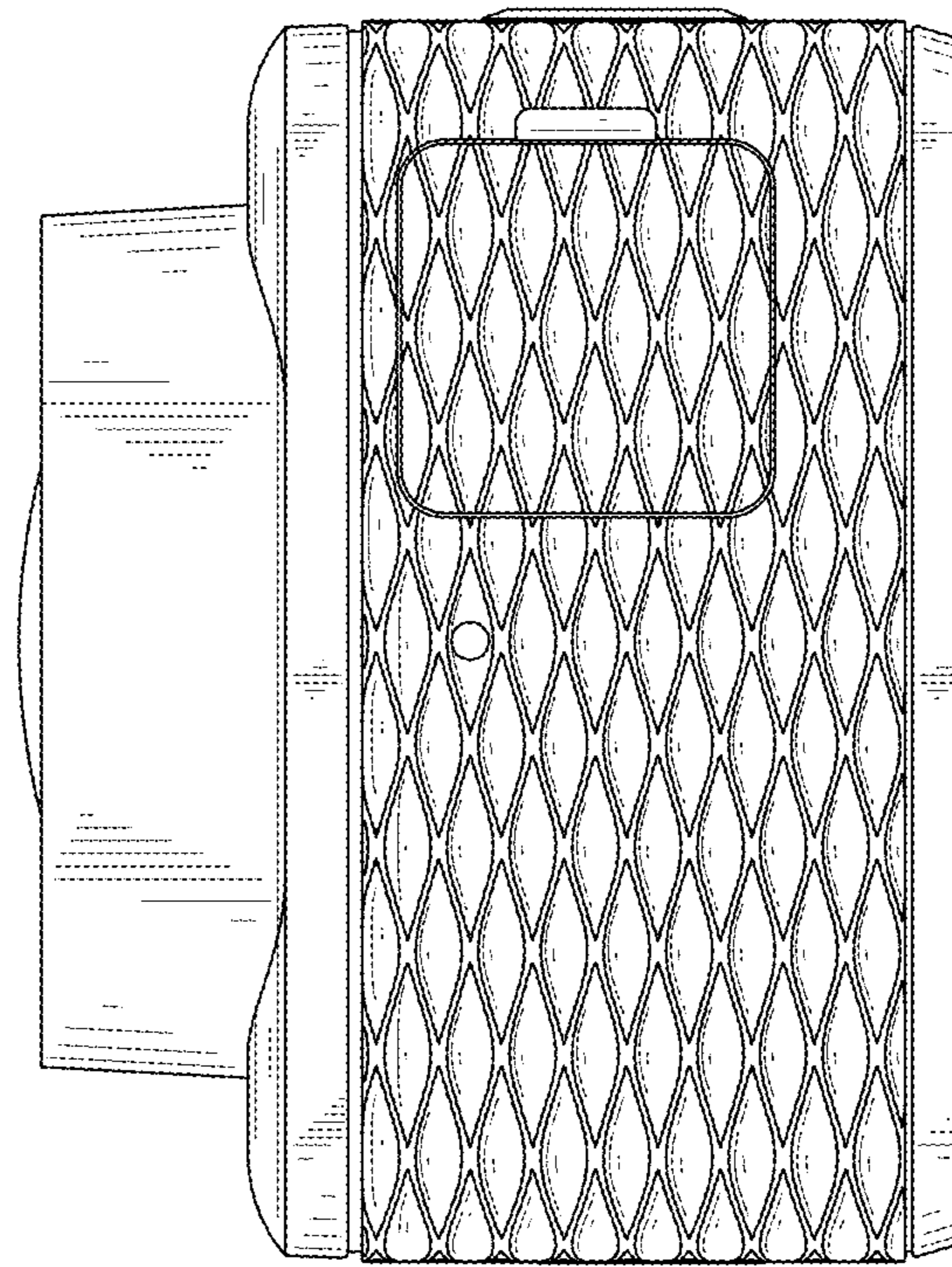


FIG. 5

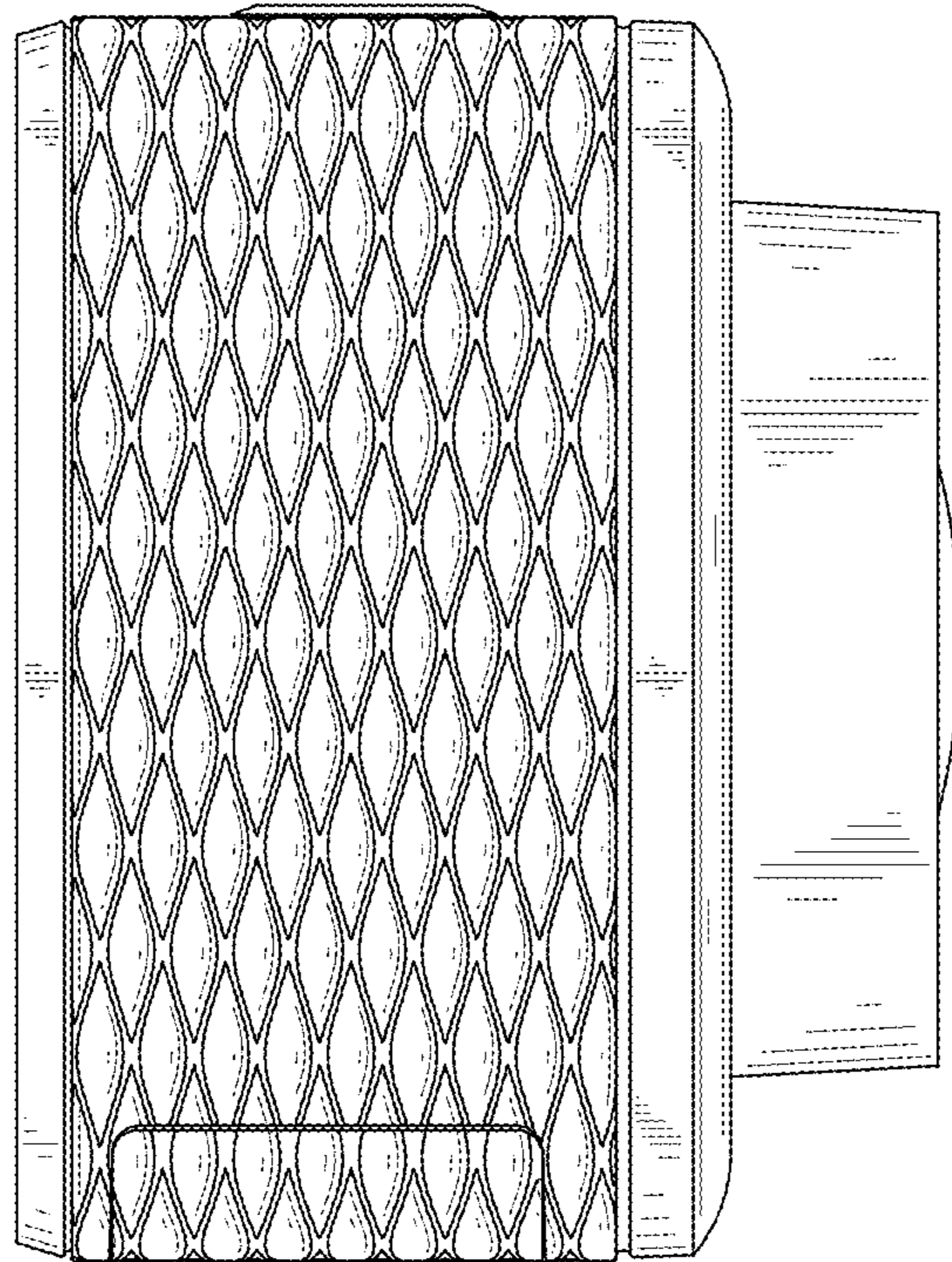


FIG. 6

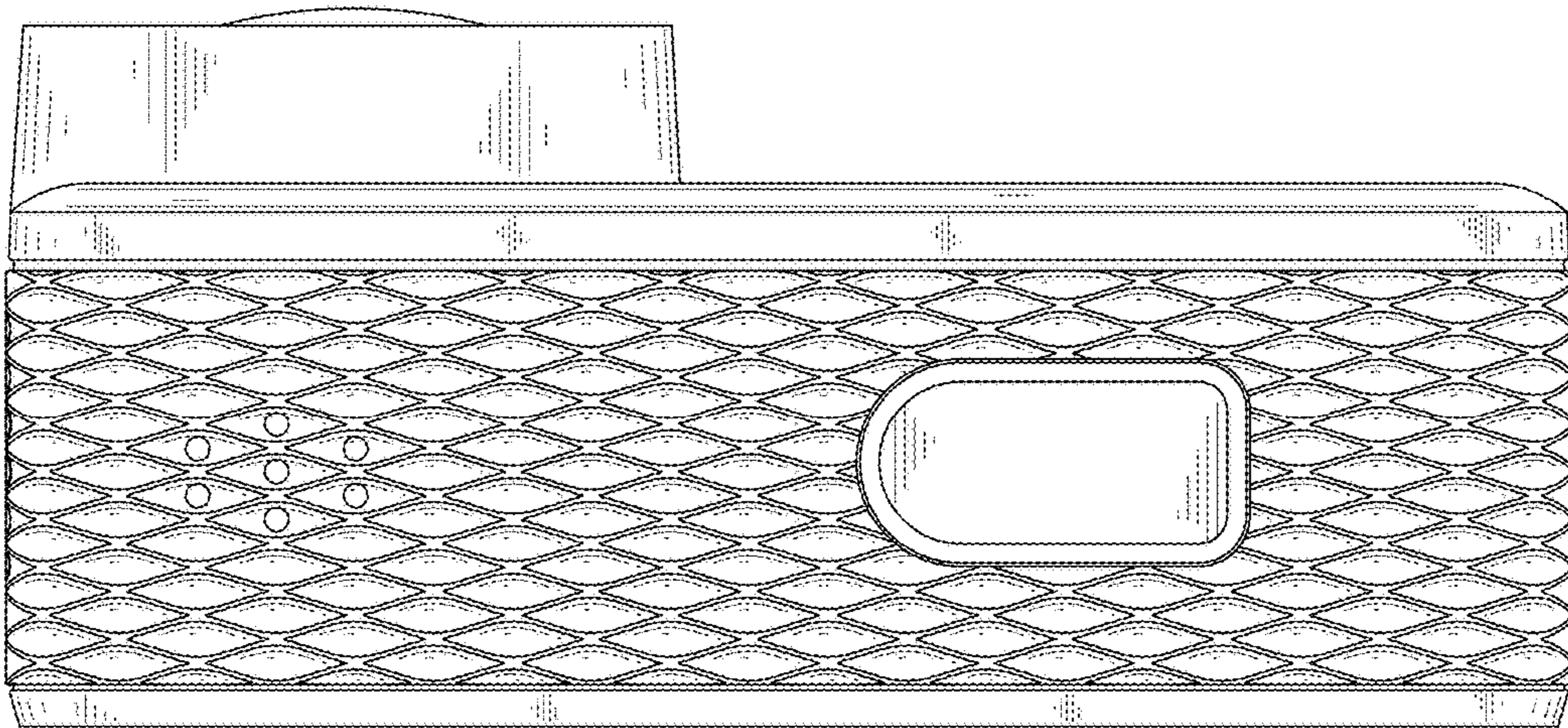


FIG. 7



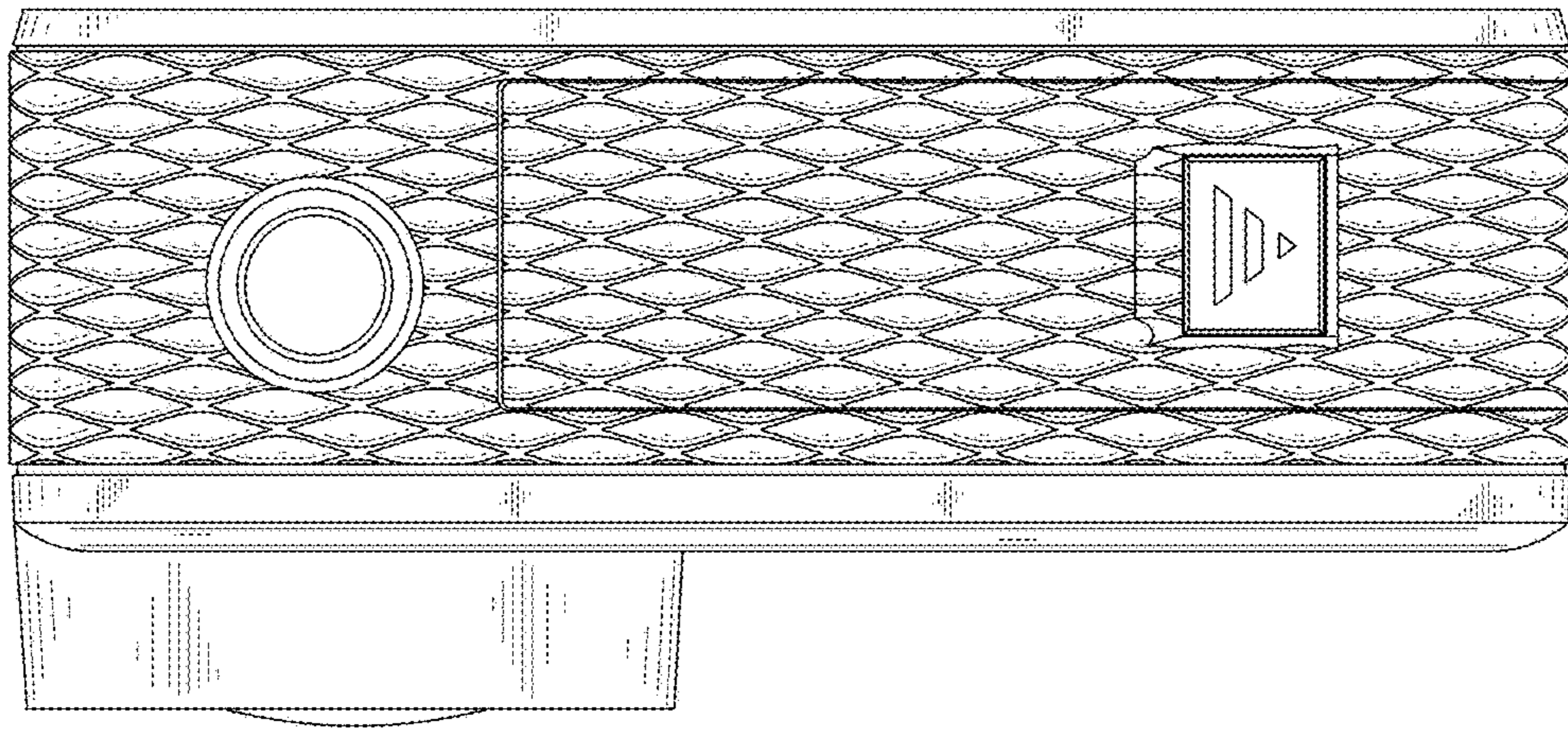


FIG. 8