



(12) **United States Design Patent**
Austin et al.

(10) **Patent No.:** **US D850,510 S**
(45) **Date of Patent:** **** Jun. 4, 2019**

- (54) **UNDERWATER FISHING CAMERA**
- (71) Applicant: **GoFish Cam, Inc.**, Austin, TX (US)
- (72) Inventors: **Brandon Austin**, Thornhill (CA); **Ryan Austin**, Thornhill (CA); **Benjamin Derek Litteral**, Austin, TX (US); **Kieran Howlett**, Houston, TX (US); **Roy Paul Prosis**, Austin, TX (US); **Daniel Caputo**, Austin, TX (US)
- (73) Assignee: **GoFish Cam, Inc.**, Austin, TX (US)

(**) Term: **15 Years**

- (21) Appl. No.: **29/613,155**
- (22) Filed: **Aug. 8, 2017**

Related U.S. Application Data

- (63) Continuation-in-part of application No. 29/571,796, filed on Jul. 21, 2016.
- (51) **LOC (11) Cl.** **16-01**
- (52) **U.S. Cl.**
USPC **D16/204; D16/202; D22/126**
- (58) **Field of Classification Search**
USPC D16/200–220, 232, 235, 239, 242, 243, D16/244, 245, 250; D14/423, 229, 251, D14/253; D8/107, 303, 8; D32/18, 19, D32/25; D4/113, 115, 138; D22/126
CPC G02B 5/00; G03B 11/04; G03B 17/00; G03B 17/02; G03B 9/08; H04N 5/2251; H04N 5/232; H04N 7/00; F16M 13/00; A01K 85/00; A01K 85/12
See application file for complete search history.

(56) **References Cited**

U.S. PATENT DOCUMENTS

- 2,554,342 A * 5/1951 O'Callaghan A01K 85/12 384/547
- 2,960,789 A * 11/1960 Paynter A01K 85/12 24/600.4

- 2,983,065 A * 5/1961 Ferguson A01K 85/01 43/42.06
- 3,019,546 A * 2/1962 Hansen A01K 91/04 43/44.91
- 3,110,914 A 11/1963 Howell
(Continued)

FOREIGN PATENT DOCUMENTS

- CN 300850102 11/2008
 - CN 302351309 3/2013
- (Continued)

OTHER PUBLICATIONS

Aqua-Vu, published Jan. 31, 2017 [online], [retrieved Sep. 29, 2018], Available from Internet, URL: <<https://web.archive.org/web/20170131201237/http://www.aquavu.com:80/>>.*

(Continued)

Primary Examiner — Barbara Fox
Assistant Examiner — Mary C Ramirez
(74) *Attorney, Agent, or Firm* — Weide & Miller, Ltd.

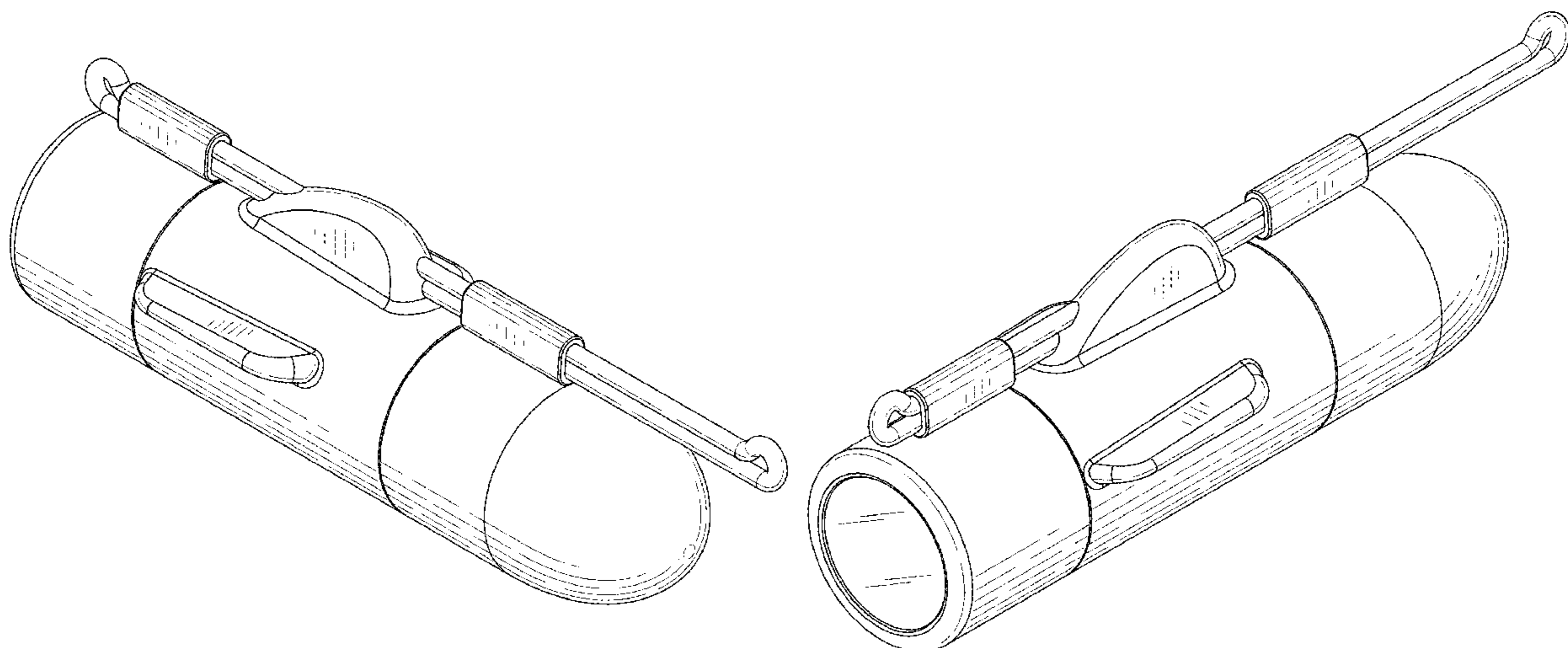
(57) **CLAIM**

The ornamental design for an underwater fishing camera, as shown and described.

DESCRIPTION

FIG. 1 is a top, front, left side perspective view of an underwater fishing camera showing the new design; FIG. 2 is a rear, left-side perspective view thereof; FIG. 3 is a top view thereof; FIG. 4 is a left-side view thereof; FIG. 5 is a bottom view thereof; FIG. 6 is a right-side view thereof; FIG. 7 is a front view thereof; and, FIG. 8 is a rear view thereof.

1 Claim, 3 Drawing Sheets



(56)

References Cited

U.S. PATENT DOCUMENTS

3,135,065 A * 6/1964 Cromoga A01K 91/08
12/142 MC

3,668,986 A 6/1972 Lemaire

D246,095 S 10/1977 Eby

D251,181 S 2/1979 Angleman

D258,444 S 3/1981 Mineshima

D275,571 S 9/1984 Carrington

4,611,422 A * 9/1986 Hampton A01K 85/16
43/42.36

D304,923 S 12/1989 Pado

4,935,906 A 6/1990 Baker et al.

D323,808 S * 2/1992 DeSantis D12/300

5,423,278 A * 6/1995 Lashman B63C 11/46
114/315

D364,443 S * 11/1995 Rasmusson D22/126

D366,005 S 1/1996 Beyer

D411,217 S 6/1999 McBride

D418,152 S * 12/1999 McBride D16/204

6,091,443 A 7/2000 Ford et al.

D430,261 S * 8/2000 Yong-Set D22/134

6,100,921 A 8/2000 Rowley

6,262,761 B1 7/2001 Zernov et al.

D458,335 S * 6/2002 Bambacigno D22/126

D489,387 S * 5/2004 Zernov D16/204

6,784,920 B2 8/2004 Weber

D509,557 S * 9/2005 Gibney, Sr. D22/126

D513,029 S * 12/2005 Zernov D16/204

D528,576 S * 9/2006 Chung D16/202

D547,346 S * 7/2007 Ollila D16/203

D549,636 S * 8/2007 Dial D12/300

7,567,752 B2 7/2009 Klinghult et al.

7,840,124 B2 11/2010 Olwin

D640,721 S * 6/2011 Satine D16/202

8,037,711 B1 10/2011 Mesaros

D677,705 S * 3/2013 Tao D16/202

D678,458 S * 3/2013 Hirata D22/126

8,402,687 B1 * 3/2013 Jarrell A01K 85/01
43/42.28

8,437,630 B2 5/2013 Wessner

8,515,269 B2 8/2013 Londeree et al.

D690,346 S 9/2013 Woolley

8,767,205 B2 7/2014 Johnsen

8,890,954 B2 * 11/2014 O'Donnell G08C 17/02
348/143

D759,632 S * 6/2016 Fischer D14/204

9,507,243 B2 11/2016 Bianciardi

9,524,646 B2 12/2016 Hine

D776,740 S * 1/2017 Okawa D16/203

9,655,353 B1 * 5/2017 Hudson A01K 85/18

9,749,507 B1 8/2017 Sandstrom

10,086,307 B2 * 10/2018 Duda, III A63H 37/00

2001/0040623 A1 11/2001 Weber

2001/0048468 A1 12/2001 Fantone et al.

2002/0003584 A1 1/2002 Kossin

2002/0178990 A1 12/2002 McBride

2003/0174206 A1 9/2003 Moroz

2004/0068916 A1 * 4/2004 Harris A01K 97/02
43/44.99

2005/0200699 A1 9/2005 Kim

2006/0042147 A1 * 3/2006 Jenkins A01K 85/16
43/42.09

2006/0216007 A1 9/2006 Moreb

2007/0242134 A1 10/2007 Zernov

2008/0148621 A1 6/2008 Laser

2011/0228075 A1 9/2011 Madden et al.

2012/0047790 A1 3/2012 Hess et al.

2013/0044999 A1 * 2/2013 Wessner A01K 91/06
396/25

2013/0051779 A1 2/2013 Londeree et al.

2013/0107031 A1 5/2013 Atkinson

2014/0090288 A1 4/2014 Freeman

2014/0358483 A1 12/2014 da Rosa

2015/0230442 A1 8/2015 Prince

2015/0342169 A1 * 12/2015 Zeevi A01K 63/04
43/4.5

2018/0192624 A1 * 7/2018 Chen A01K 85/01

FOREIGN PATENT DOCUMENTS

WO 2013/184110 A1 12/2013

WO 2015/017312 A1 2/2015

WO 2015/188832 12/2015

OTHER PUBLICATIONS

GoFish Cam Kickstarter, announced Jul. 20, 2015 [online], [site visited Oct. 7, 2017], Available from Internet URL: <<https://kickstarter.com/projects/gofishcam/gofish-cam>>.

Underwater Camera for Fishing, announce Nov. 2, 2015 [online], [site visited Oct. 7, 2017], Available from Internet URL: <[@0:56](https://www.youtube.com/watch?v=ux5GT_3d7rA)>.

Waterwolf: <http://www.waterwolfhd.com/en/>, Accessed Jan. 18, 2018.

Strike-Cam: <http://www.strike-cam.com/>, 2014.

Eco-Popper: <http://eco-net.com/>, Accessed Jan. 18, 2018.

Fish-Spy: <https://www.fishspy.com/>, 2016.

Fishing Fan-Cam: <http://fishingfancam.com/>, 2015.

* cited by examiner

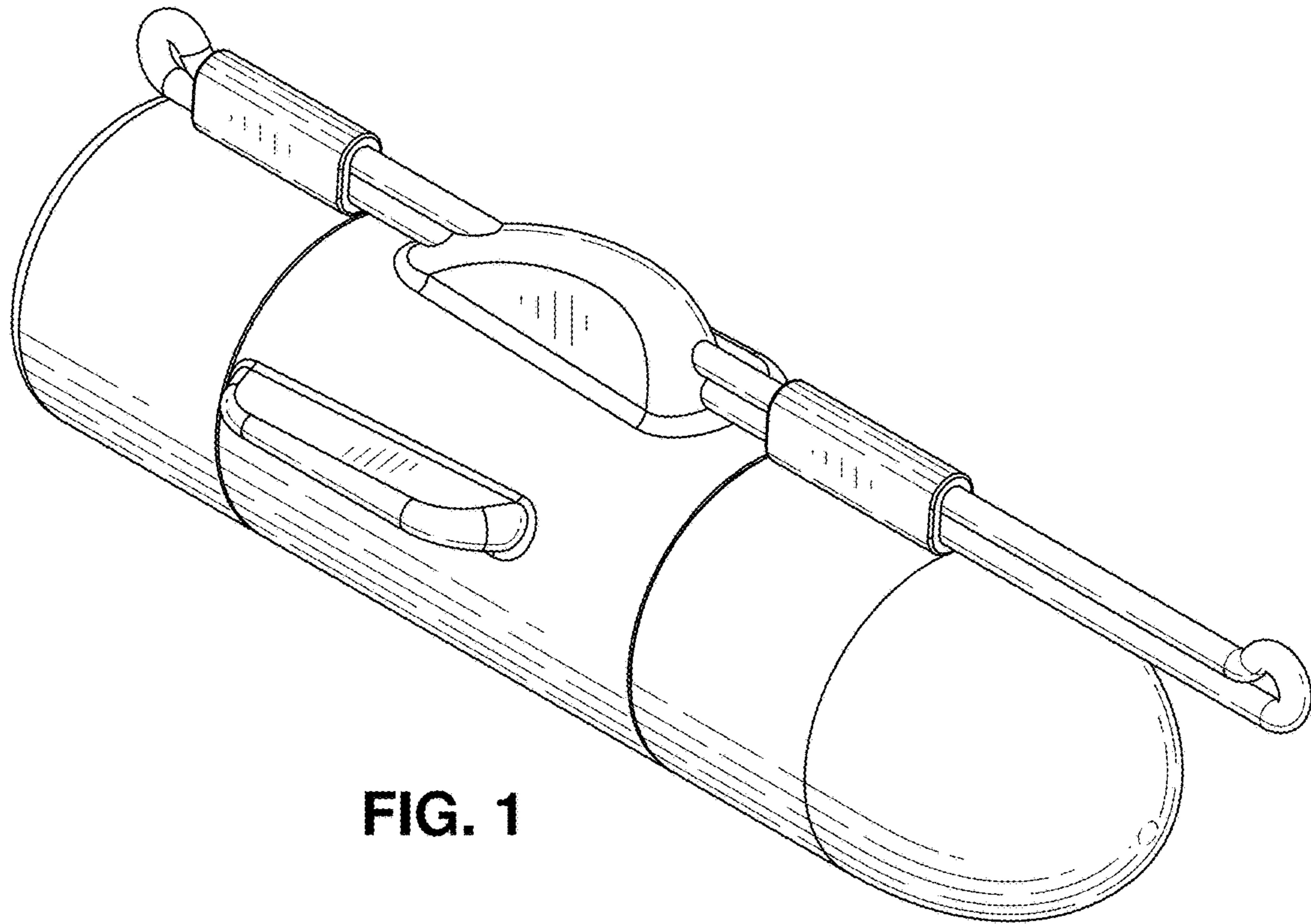


FIG. 1

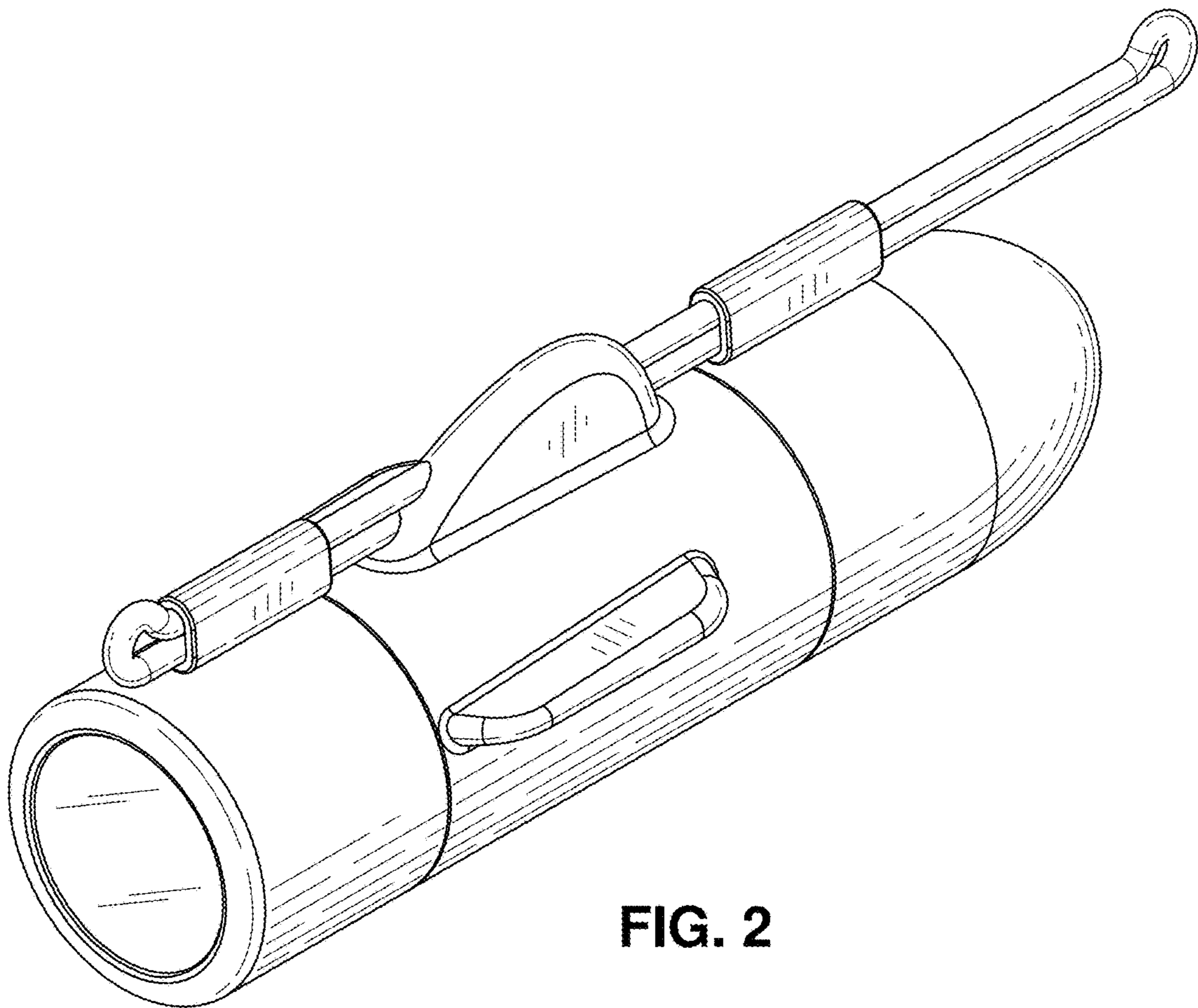


FIG. 2

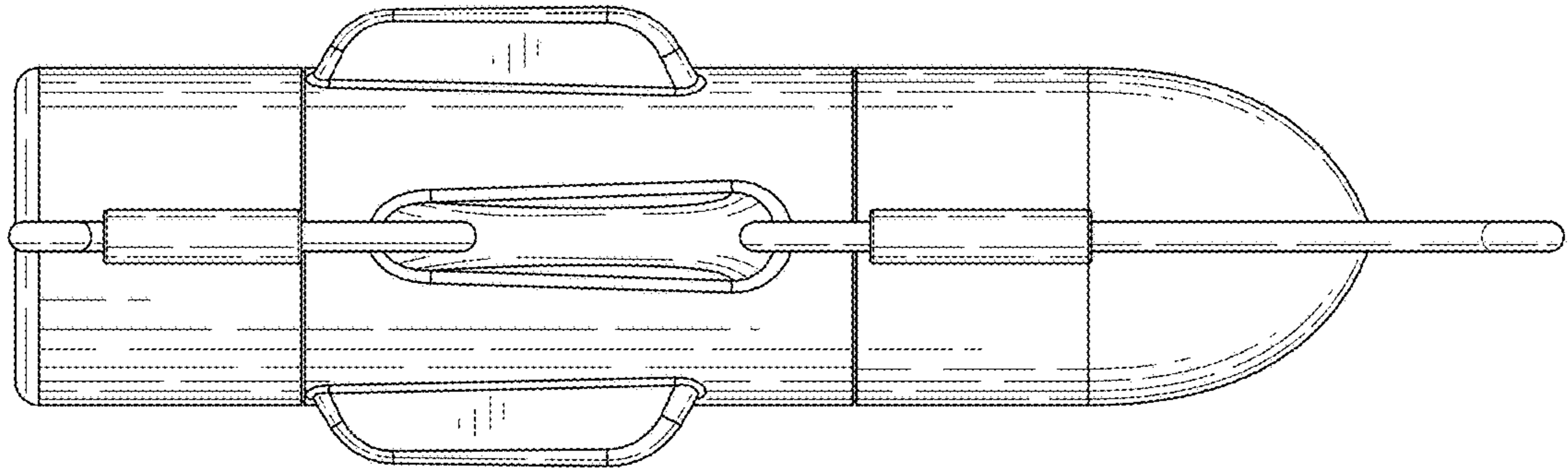


FIG. 3

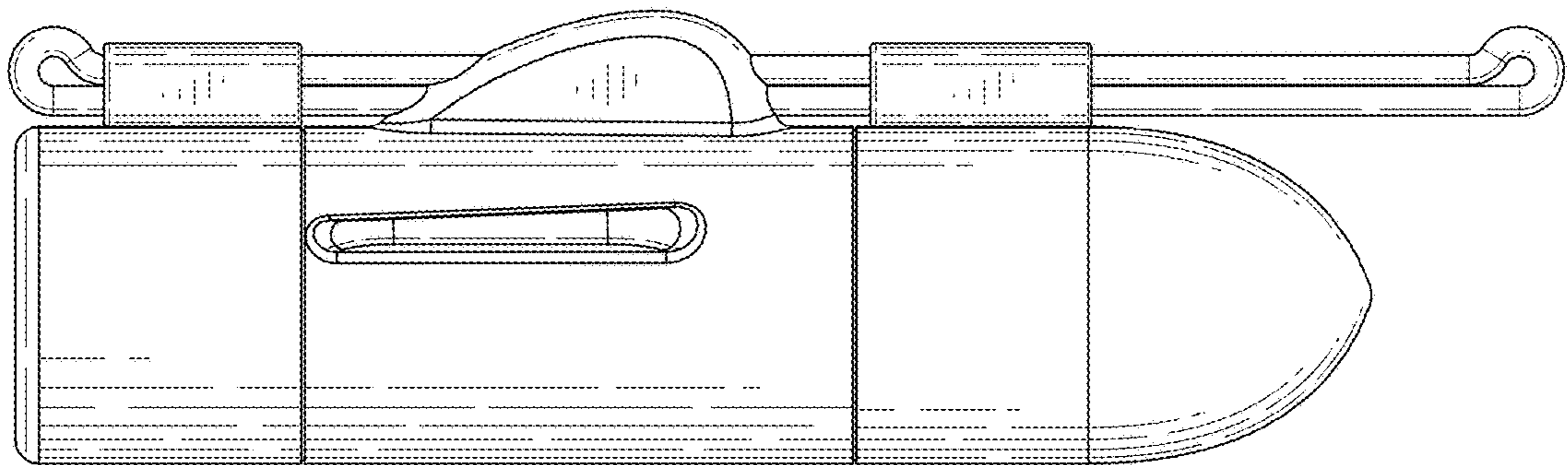


FIG. 4

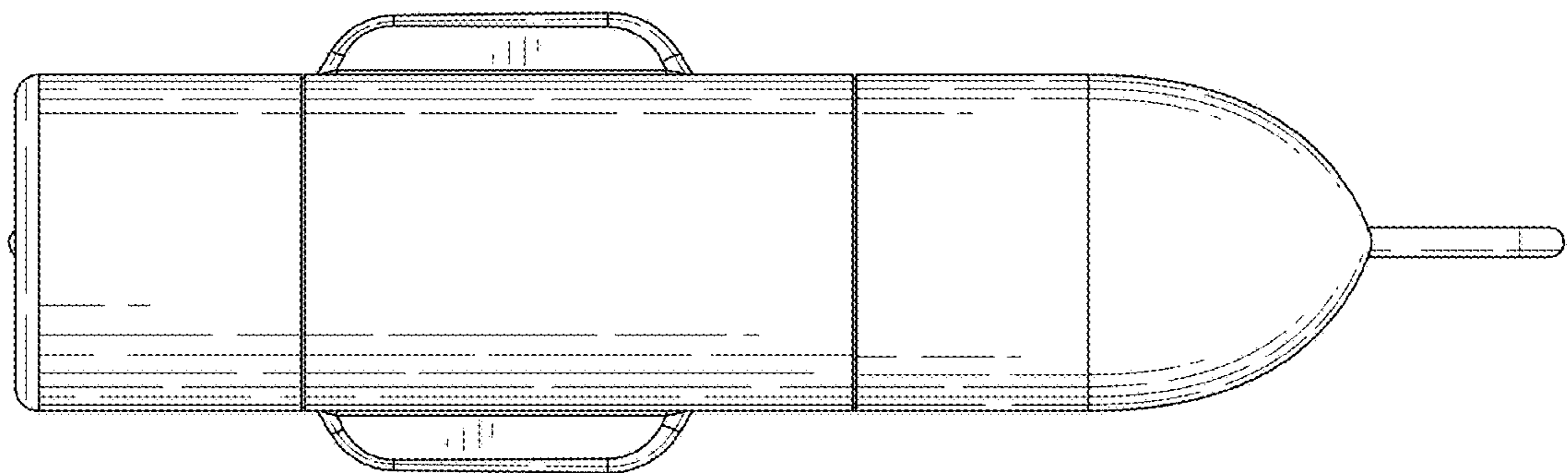


FIG. 5

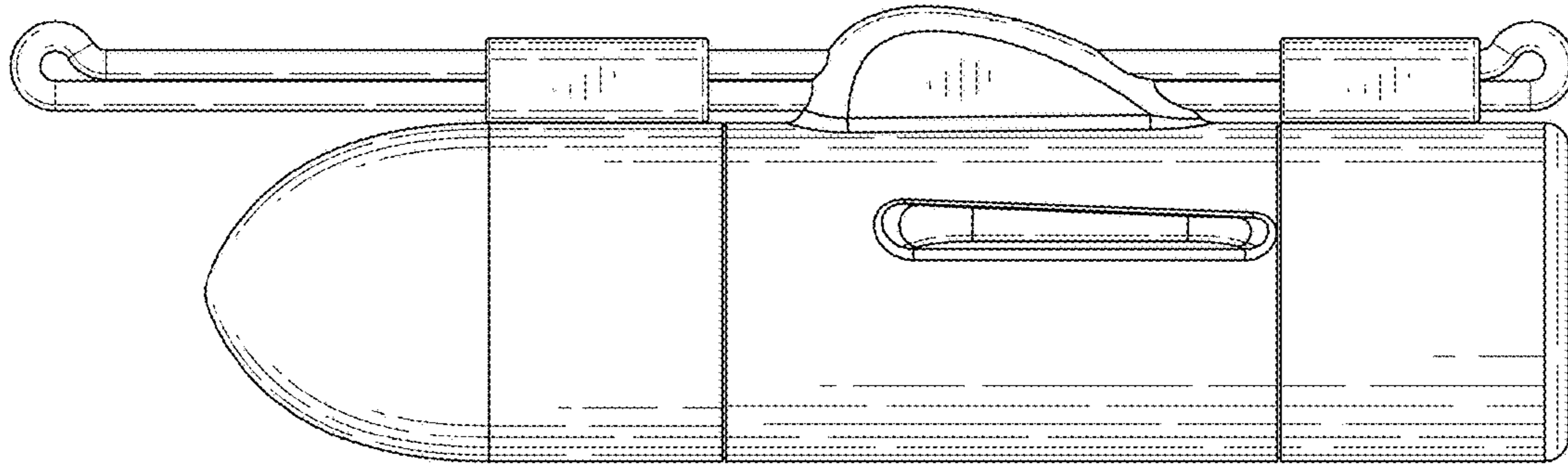


FIG. 6

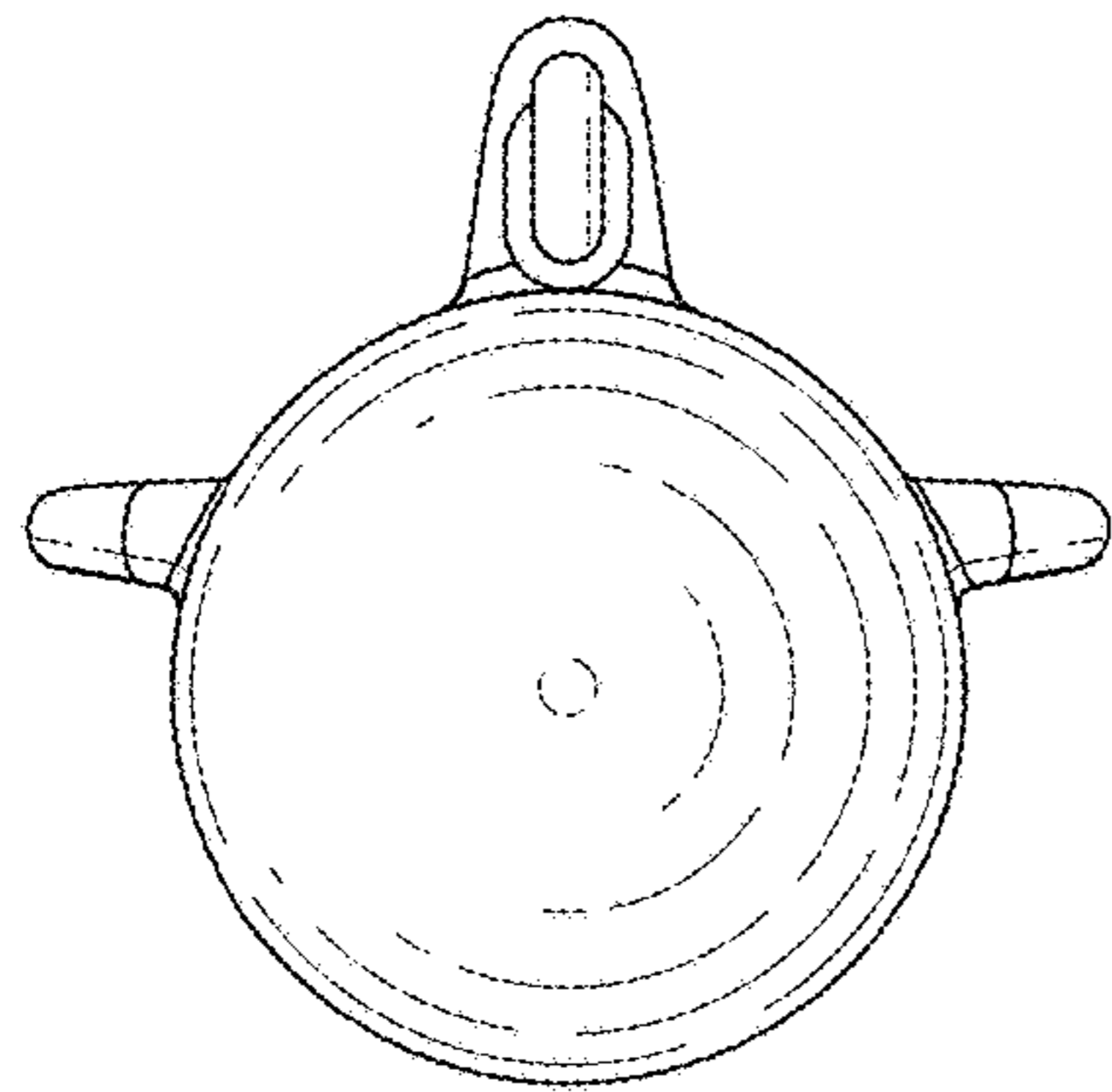


FIG. 7

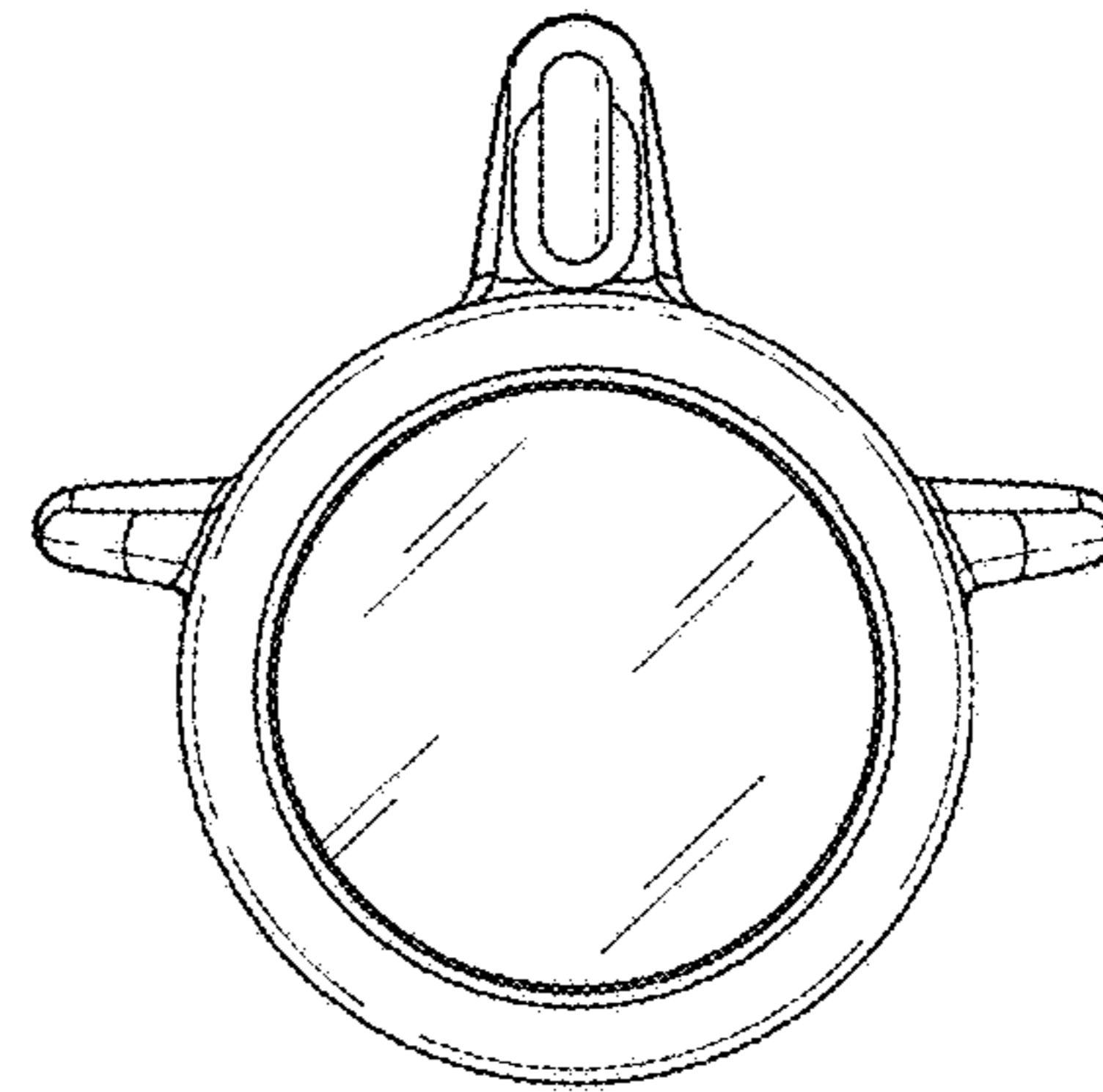


FIG. 8