



US00D850509S

(12) **United States Design Patent** (10) **Patent No.:** **US D850,509 S**
Tsai (45) **Date of Patent:** **** Jun. 4, 2019**

(54) **CAMERA**
(71) Applicant: **VIVOTEK INC.**, New Taipei (TW)
(72) Inventor: **Chiung-Wei Tsai**, New Taipei (TW)
(73) Assignee: **VIVOTEK INC.**, New Taipei (TW)
(**) Term: **15 Years**

D486,509 S * 2/2004 Suzuki D16/202
D501,494 S * 2/2005 Ogura D16/202
D532,809 S * 11/2006 Shih D16/218
D536,357 S * 2/2007 Koby D16/203
D550,267 S * 9/2007 Oh D16/202
D564,559 S * 3/2008 Stephens D16/208
D643,056 S * 8/2011 Zaliauskas D16/202
D651,632 S * 1/2012 Kim D16/202
D721,113 S * 1/2015 Huang D16/202
D721,114 S * 1/2015 Nuk D16/202
D794,694 S * 8/2017 Liu D16/203

(21) Appl. No.: **29/538,361**

* cited by examiner

(22) Filed: **Sep. 3, 2015**

Primary Examiner — Ramzi S Almatrahi

(30) **Foreign Application Priority Data**

(74) *Attorney, Agent, or Firm* — Winston Hsu

Mar. 20, 2015 (TW) 104301471

(51) **LOC (11) Cl.** **16-01**

(57) **CLAIM**

(52) **U.S. Cl.**
USPC **D16/203**

The ornamental design for a camera, as shown and described.

(58) **Field of Classification Search**
USPC D16/200, 202–206, 208, 218, 219, 242;
348/143, 148, 151, 373–376; 396/419,
396/427, 535, 539–541

DESCRIPTION

CPC G03B 17/02; G03B 19/04; G03B 17/56;
G03B 17/04; G03B 15/03; H04N 5/2251;
H04N 5/2252; H04N 5/2253; H04N
5/2254; H04N 7/181; H04N 7/183; H04N
7/18; G08B 13/1963; G08B 13/19619;
G08B 13/19632
See application file for complete search history.

FIG. 1 is a top, front and right side perspective view of a camera showing my new design;
FIG. 2 is a front view thereof;
FIG. 3 is a rear view thereof;
FIG. 4 is a left side view thereof;
FIG. 5 is a right side view thereof;
FIG. 6 is a top view thereof; and,
FIG. 7 is a bottom view thereof.

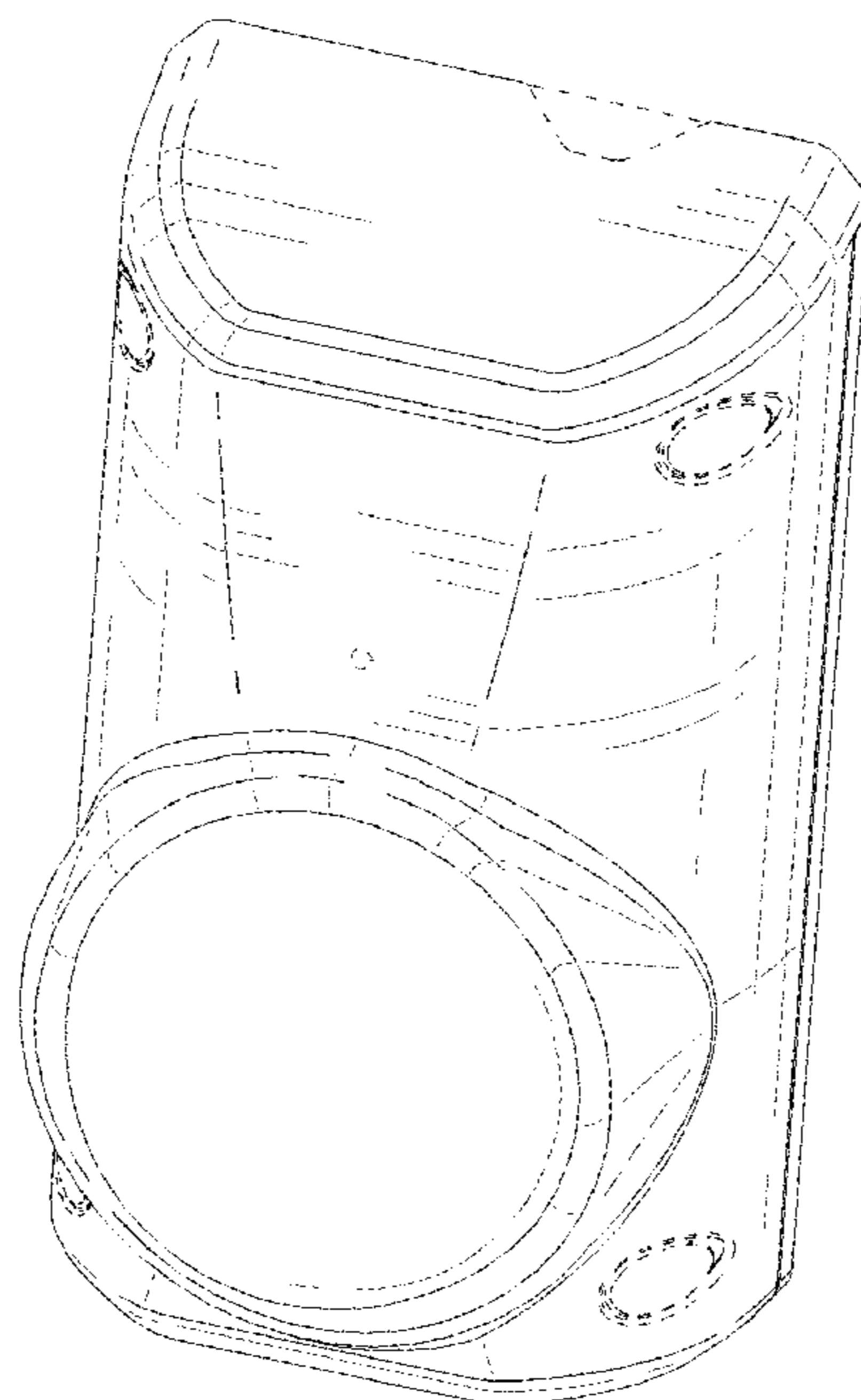
(56) **References Cited**

The broken lines depict portions of the camera in which the design is embodied that form no part of the claimed design.

U.S. PATENT DOCUMENTS

D429,269 S * 8/2000 Renkis D16/202
D477,345 S * 7/2003 Hildreth D16/203

1 Claim, 6 Drawing Sheets



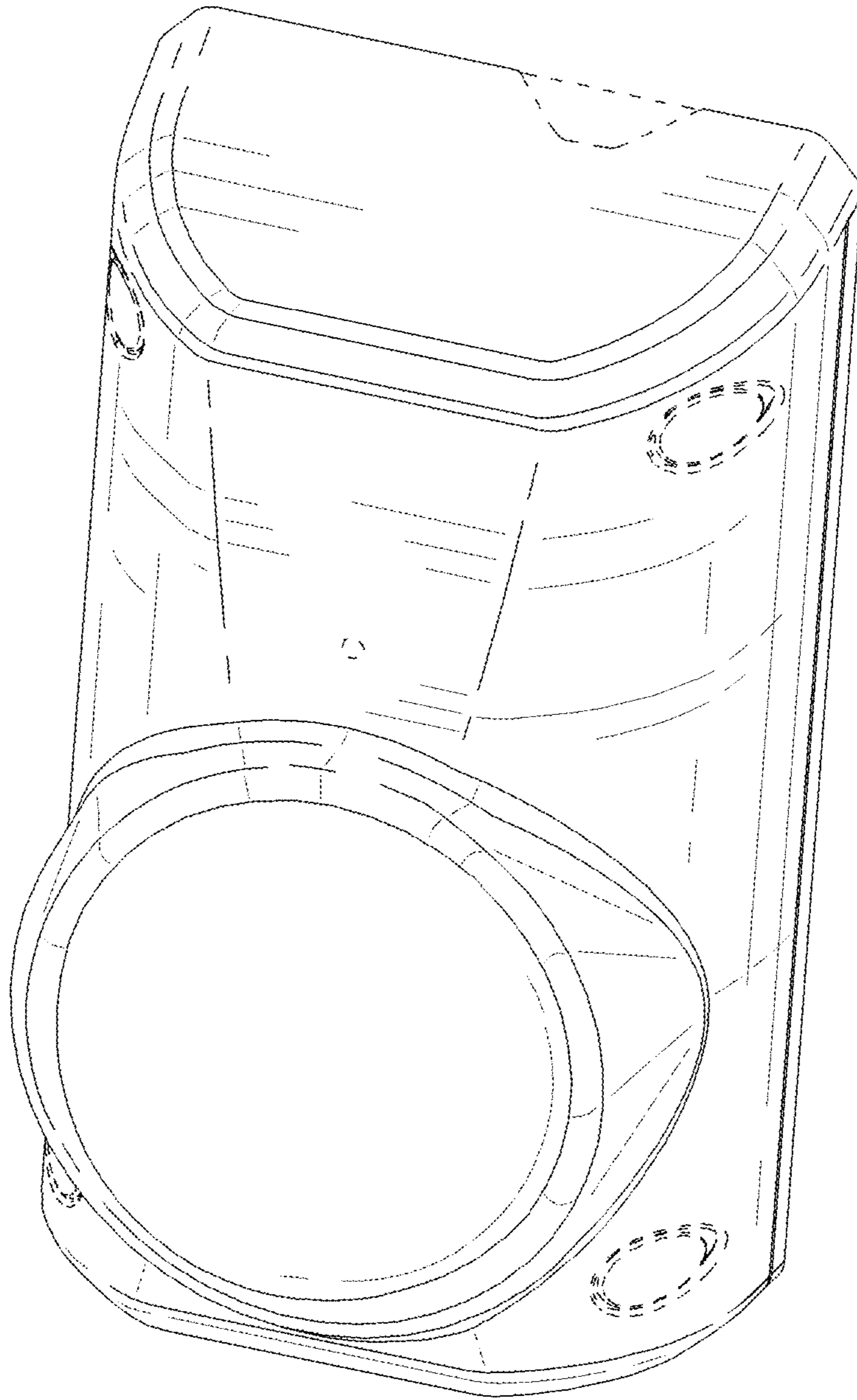


FIG. 1

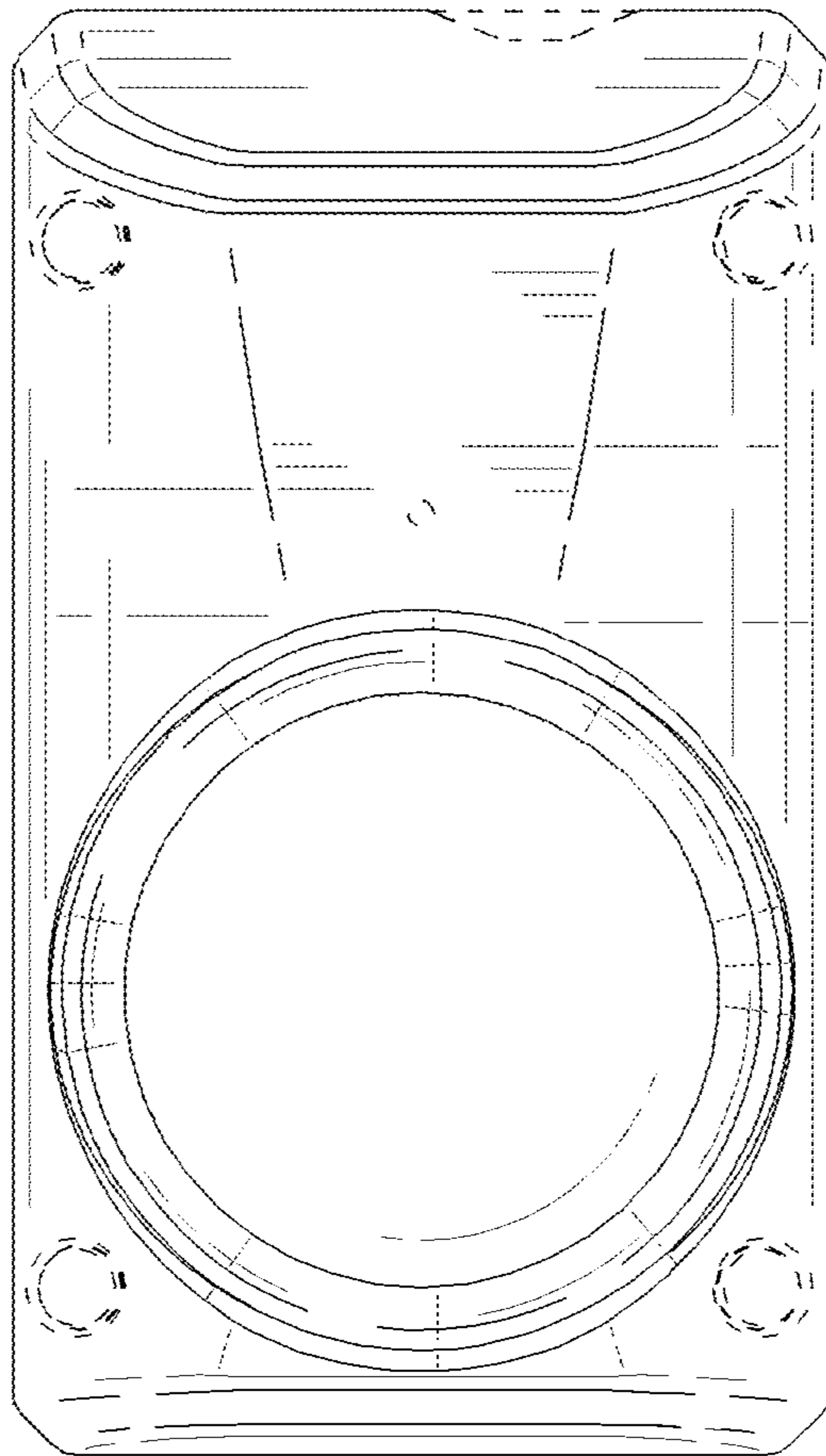


FIG. 2

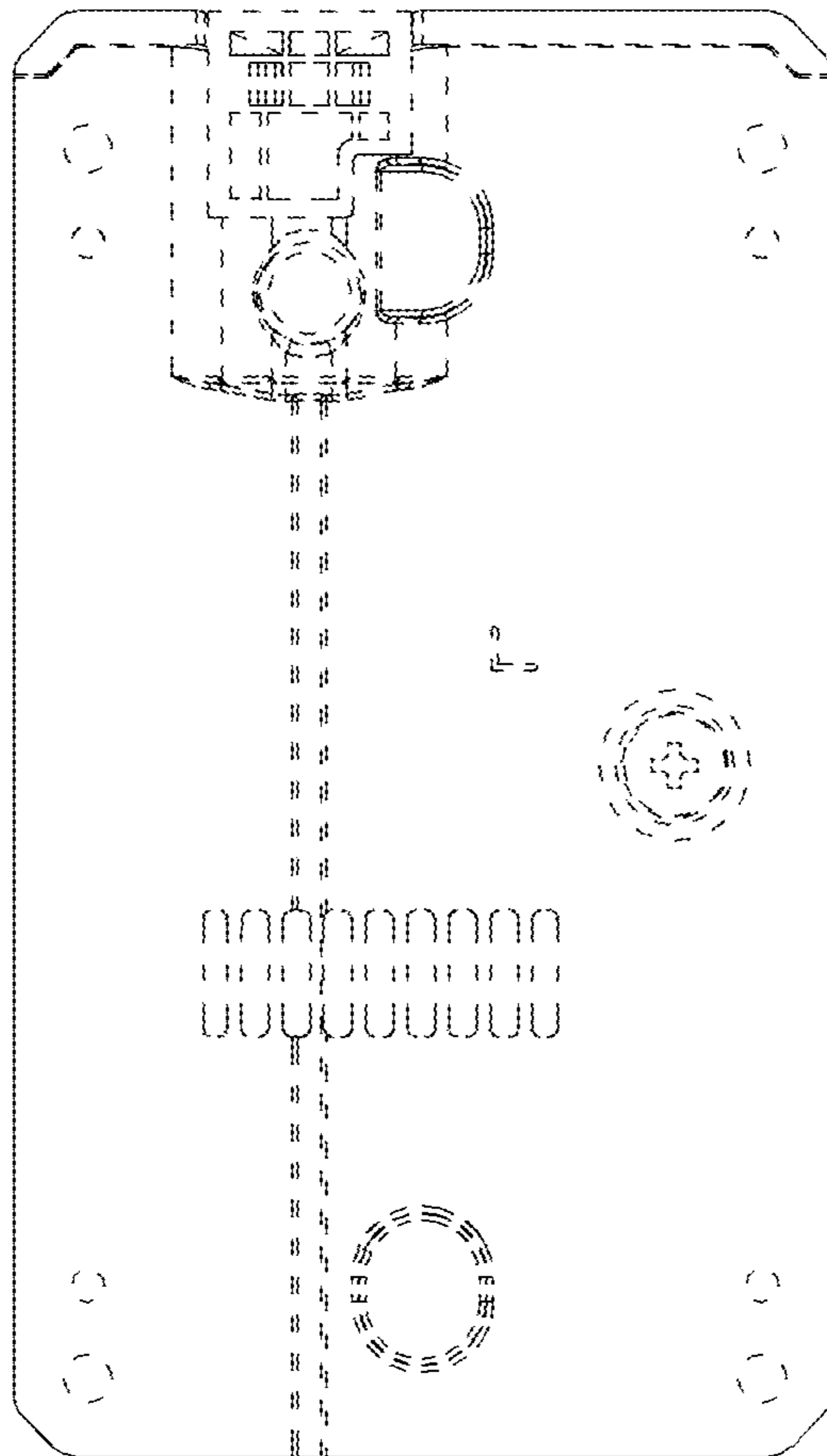


FIG. 3

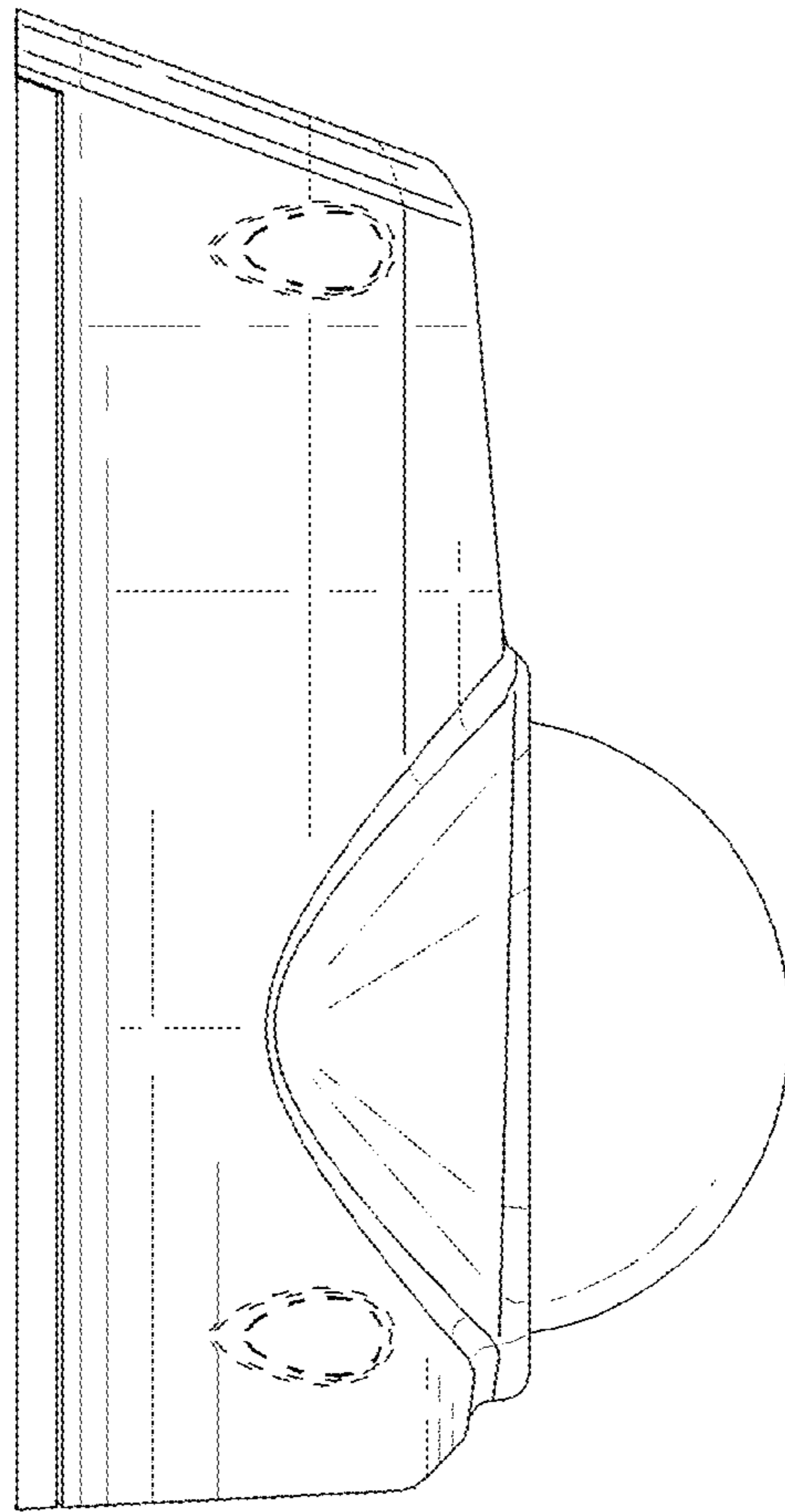


FIG. 4

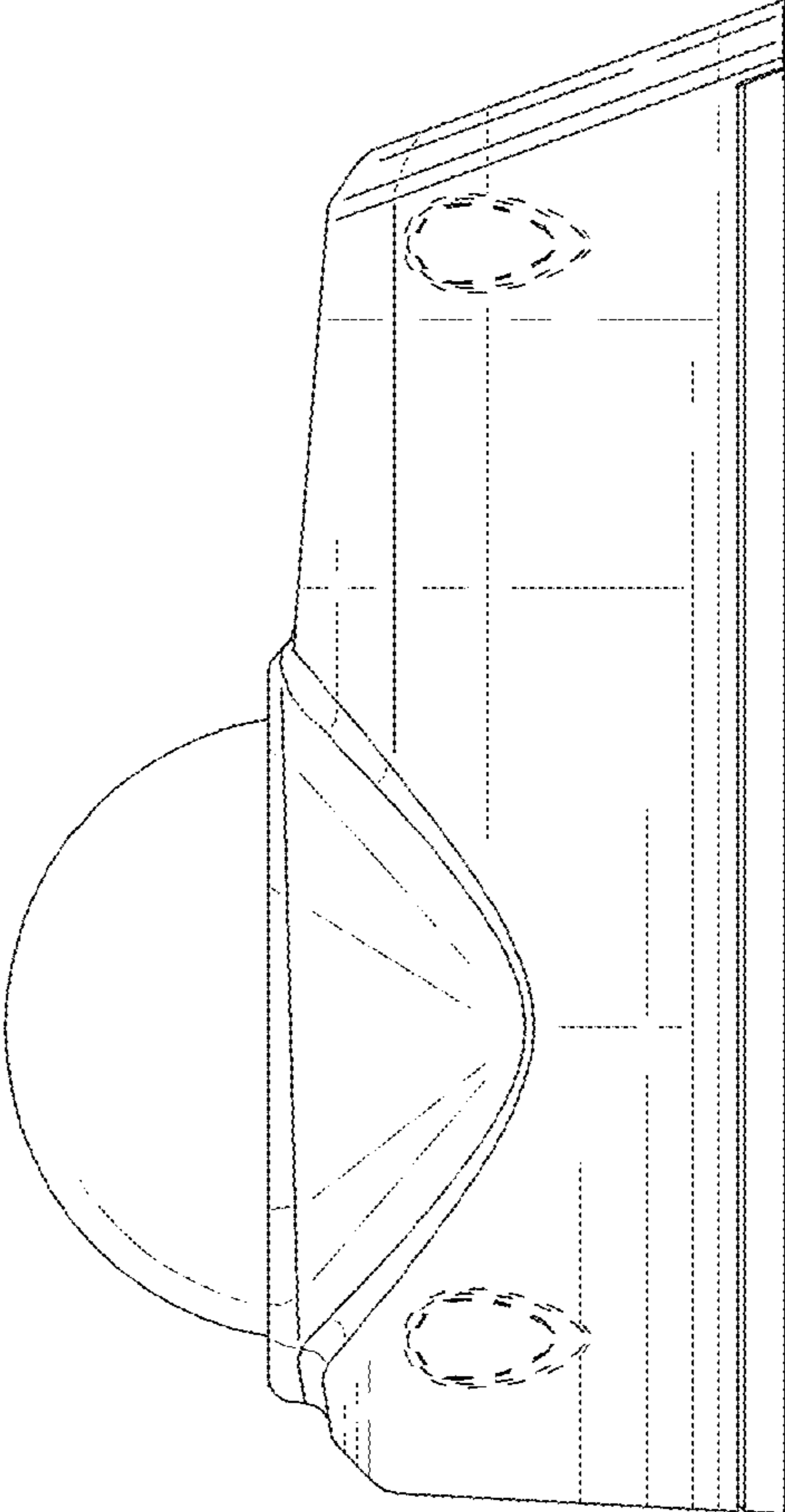


FIG. 5

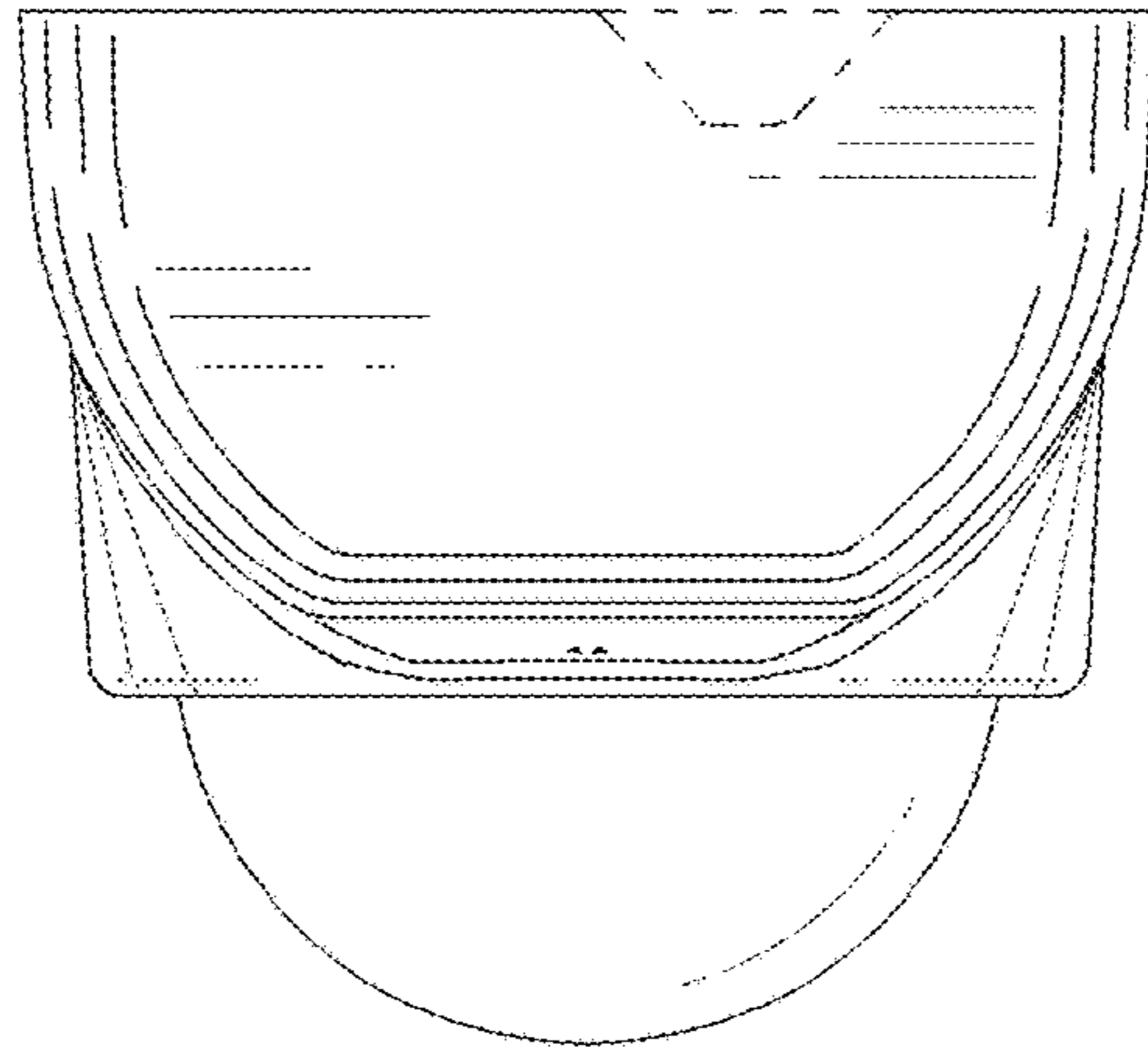


FIG. 6

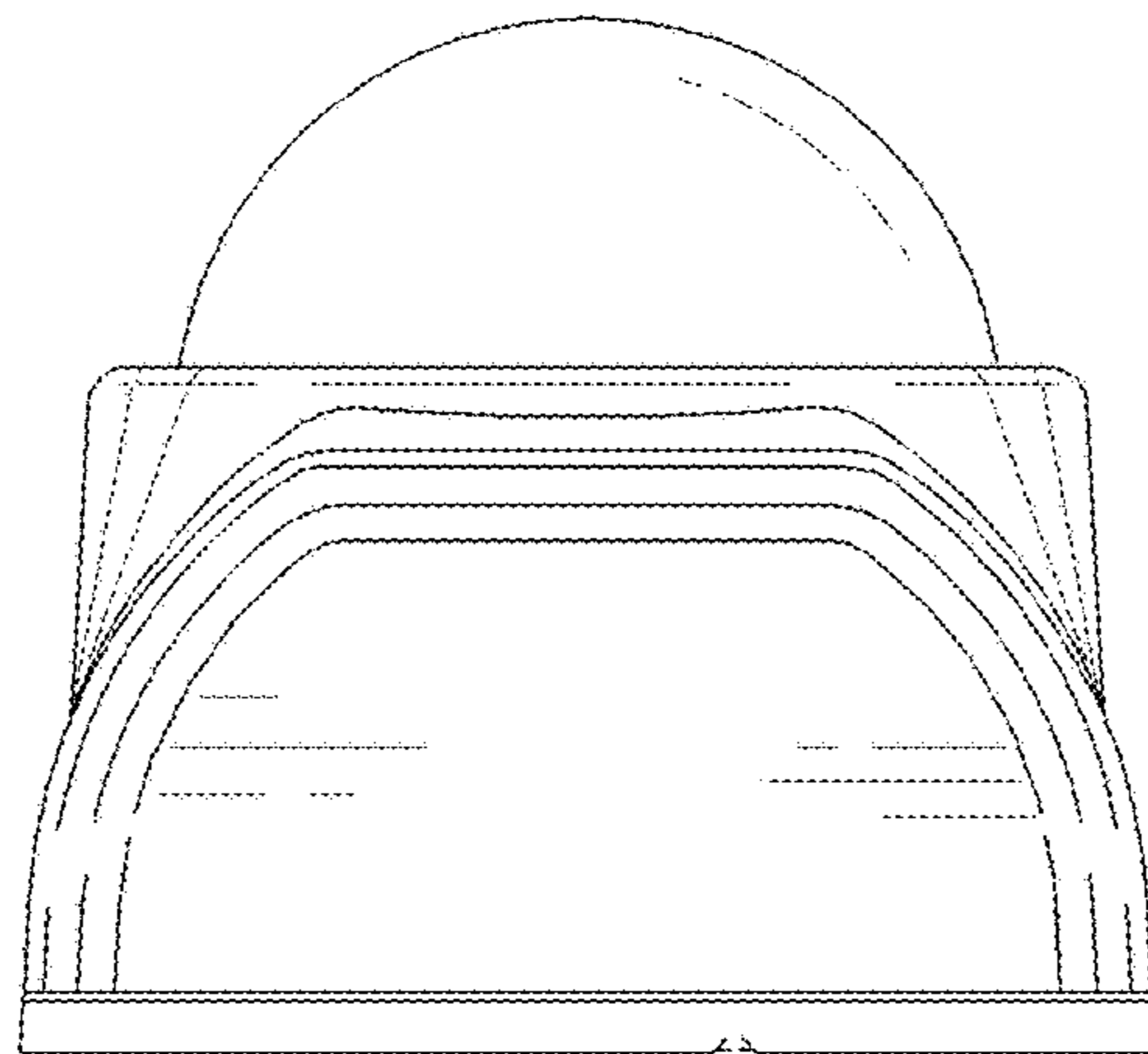


FIG. 7