



US00D850507S

(12) **United States Design Patent**
Sun

(10) **Patent No.:** **US D850,507 S**

(45) **Date of Patent:** **** Jun. 4, 2019**

(54) **INFRARED DIGITAL NIGHT VISION
DEVICE**

(71) Applicant: **Fengping Sun**, Guangdong (CN)

(72) Inventor: **Fengping Sun**, Guangdong (CN)

(**) Term: **15 Years**

(21) Appl. No.: **29/636,050**

(22) Filed: **Feb. 6, 2018**

(30) **Foreign Application Priority Data**

Jan. 4, 2018 (CN) 2018 3 0003244

(51) **LOC (11) Cl.** **16-06**

(52) **U.S. Cl.**
USPC **D16/133**

(58) **Field of Classification Search**
USPC D16/130, 131, 133, 132, 134-136
CPC G02B 2027/0123; G02B 2027/0132
See application file for complete search history.

(56) **References Cited**

U.S. PATENT DOCUMENTS

- 7,901,072 B1 * 3/2011 Eagan G02B 27/0172
351/158
- D666,232 S * 8/2012 Fischbach D16/133
- D684,202 S * 6/2013 Radau D16/133
- D687,081 S * 7/2013 Radau D16/133
- D693,867 S * 11/2013 Radau D16/133
- D713,437 S * 9/2014 Soejima D16/133
- D716,859 S * 11/2014 Nakajima D16/133

- D719,201 S * 12/2014 Marsiglia D16/133
- D737,354 S * 8/2015 Hofmann D16/131
- D748,177 S * 1/2016 Radau D16/133
- D783,073 S * 4/2017 Radau D16/133
- D821,474 S * 6/2018 Arshad D16/133
- D831,722 S * 10/2018 Arshad D16/133

* cited by examiner

Primary Examiner — Mark A Goodwin

Assistant Examiner — Benjamin M Weeks

(74) *Attorney, Agent, or Firm* — JCIPRNET

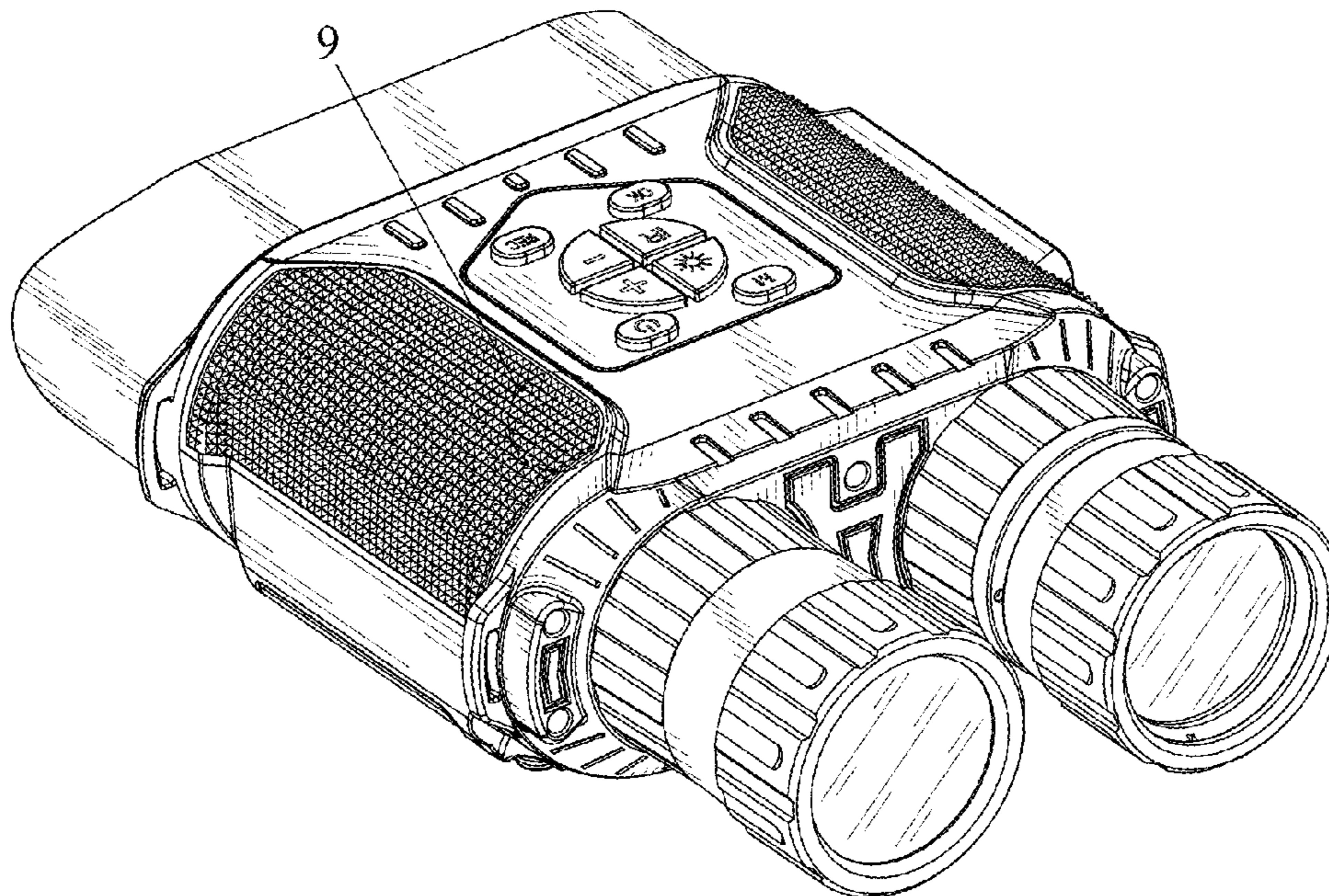
(57) **CLAIM**

The ornamental design for an infrared digital night vision device, as shown and described.

DESCRIPTION

FIG. 1 is a perspective view of an infrared digital night vision device showing my new design;
 FIG. 2 is another perspective view thereof;
 FIG. 3 is a front view thereof;
 FIG. 4 is a rear view thereof;
 FIG. 5 is a left side view thereof;
 FIG. 6 is a right side view thereof;
 FIG. 7 is a top view thereof;
 FIG. 8 is a bottom view thereof; and,
 FIG. 9 is an enlarged view of an indicated portion in FIG. 1.
 The dot-dashed broken line indicates cutoff boundaries for the enlarged view and forms no part of the claimed design.
 The dashed broken line portions of the infrared digital night vision device in FIGS. 1-3 represent unclaimed portions of the claimed design and form no part thereof.

1 Claim, 6 Drawing Sheets



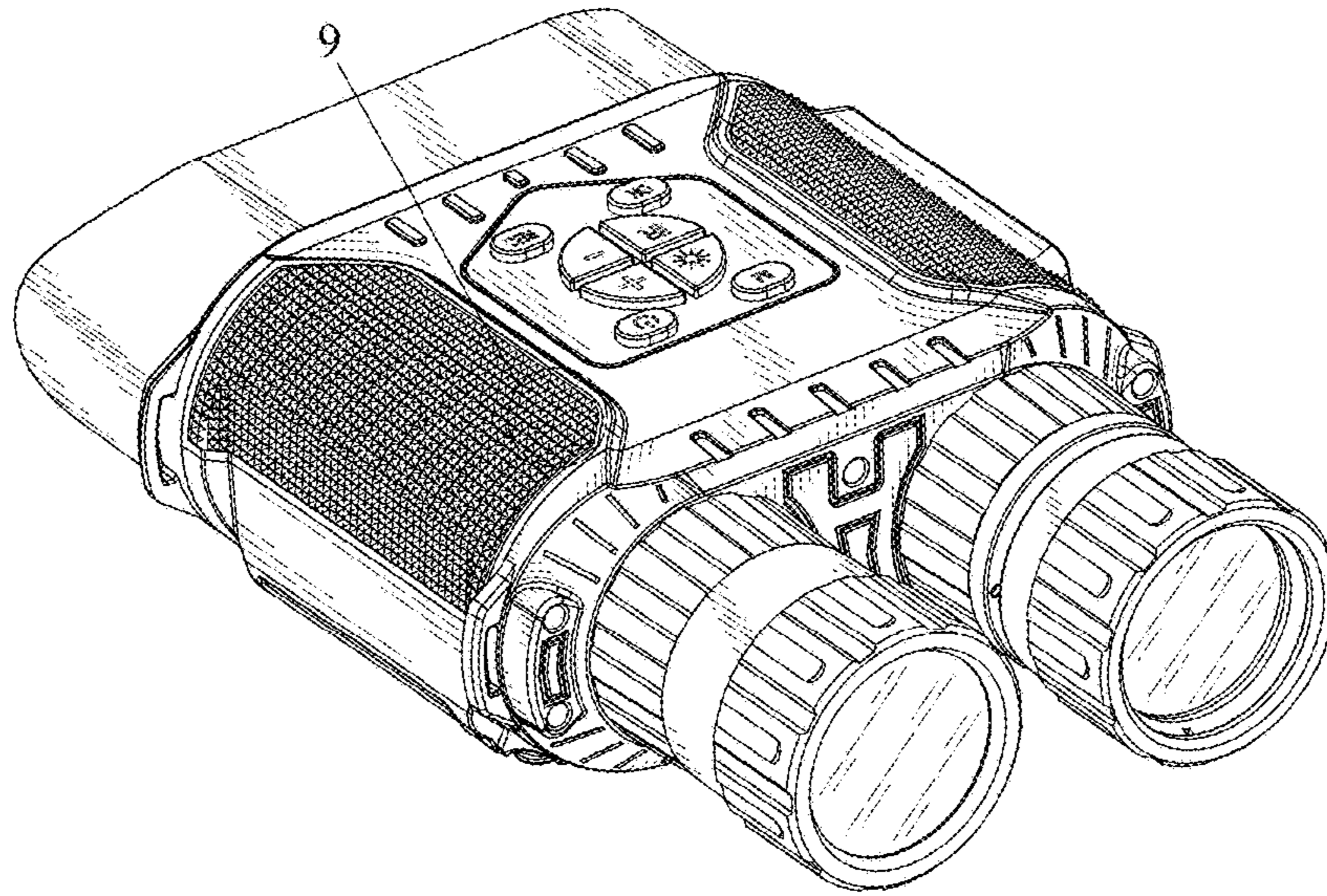


FIG. 1

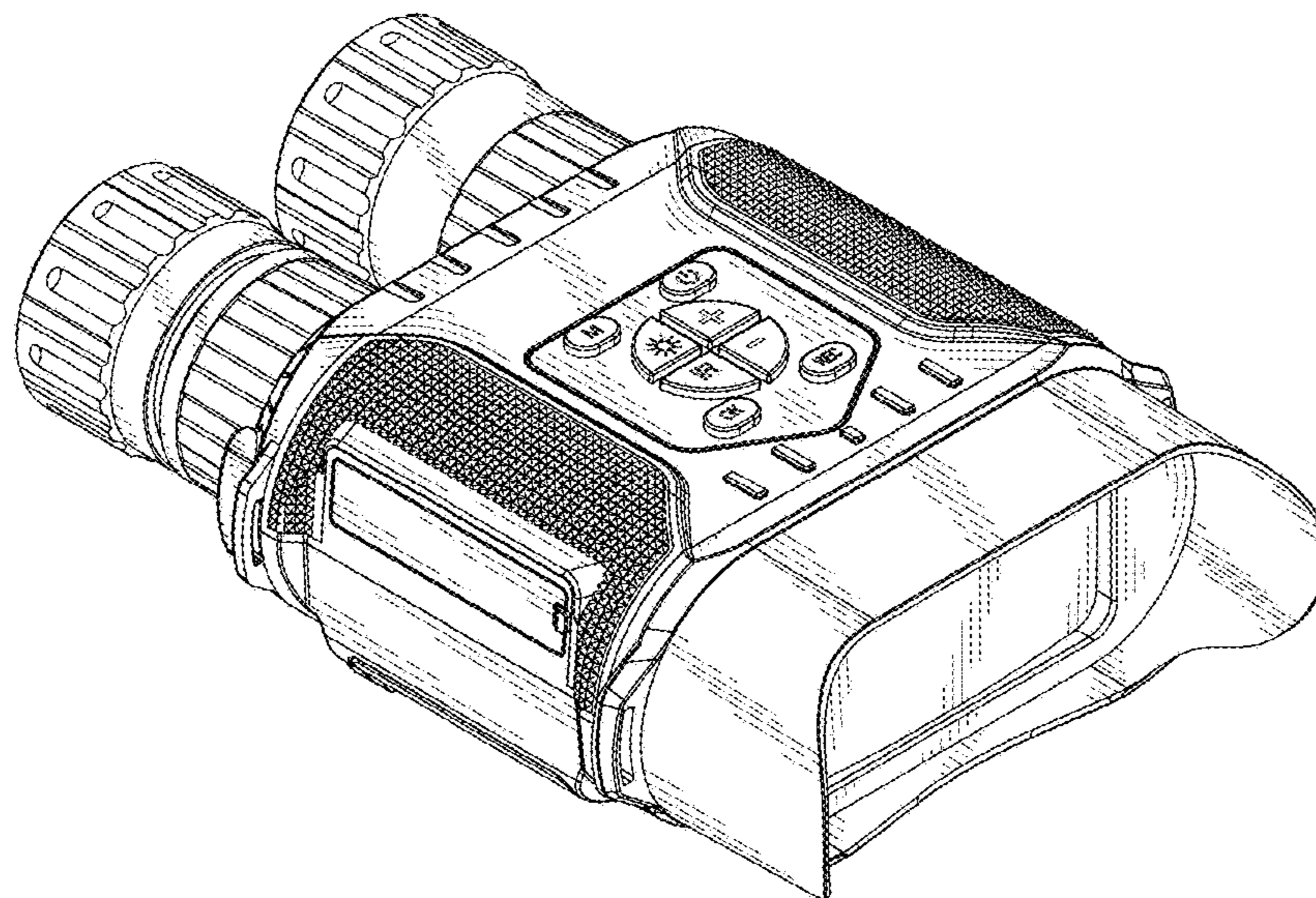


FIG. 2

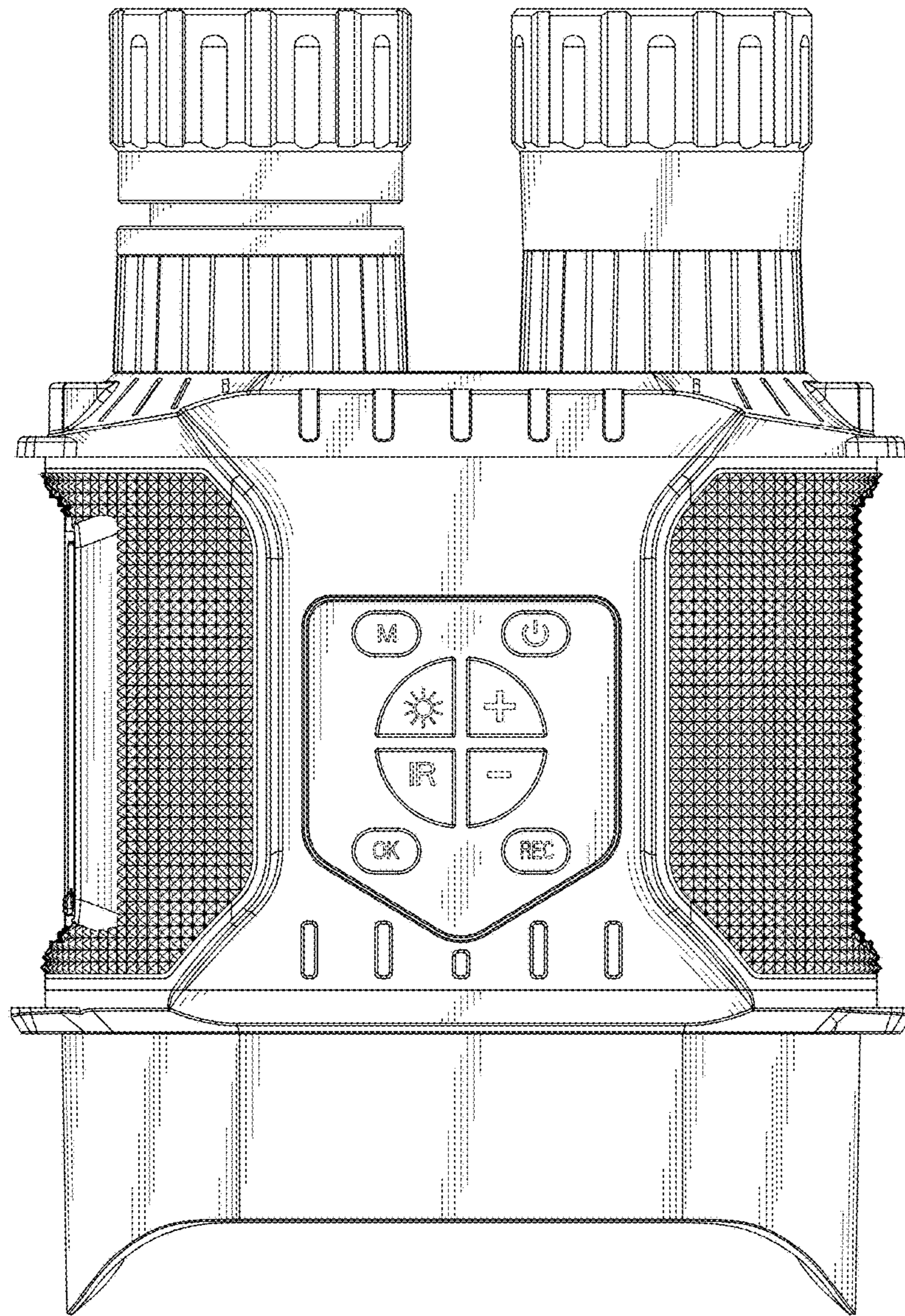


FIG. 3

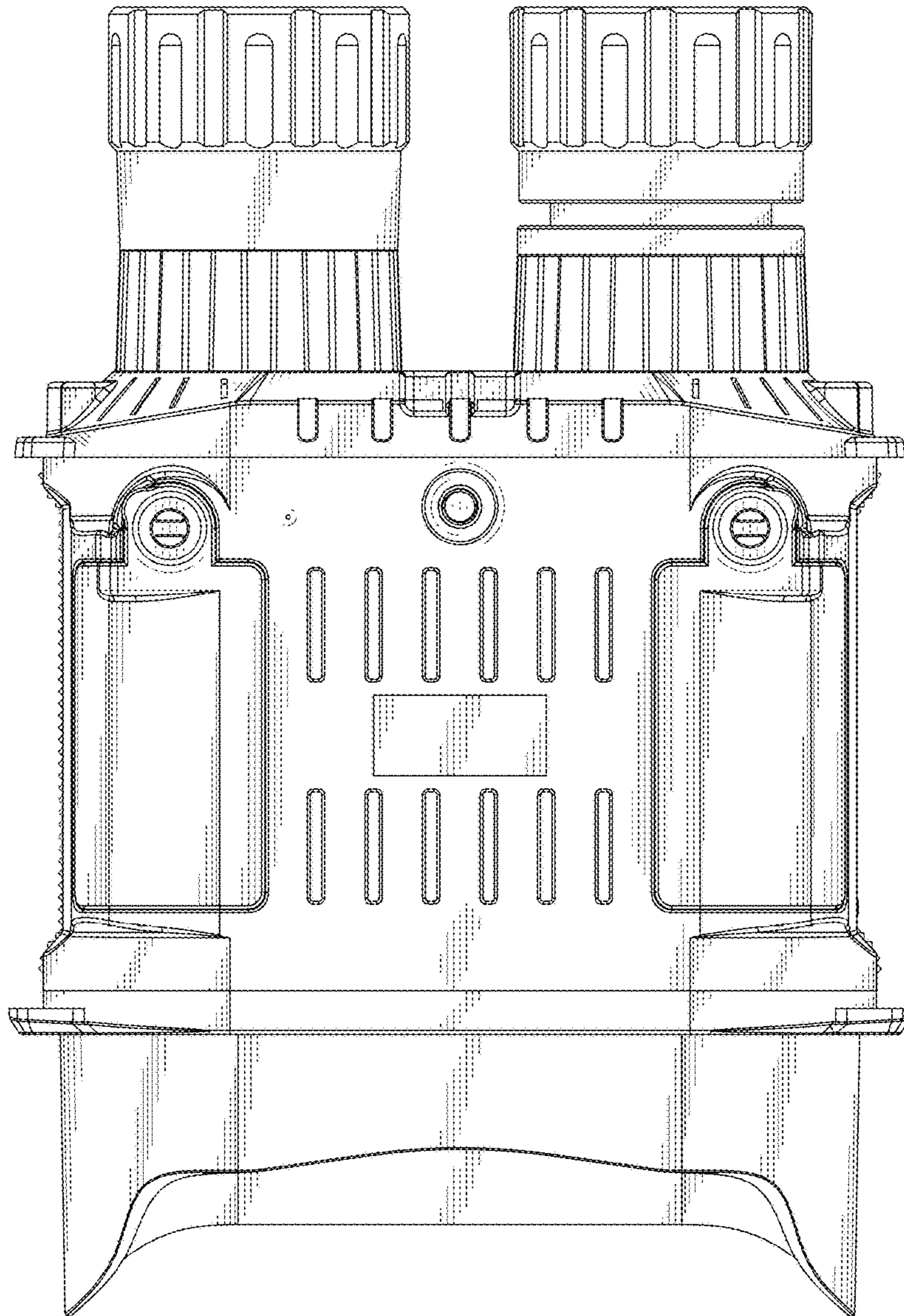


FIG. 4

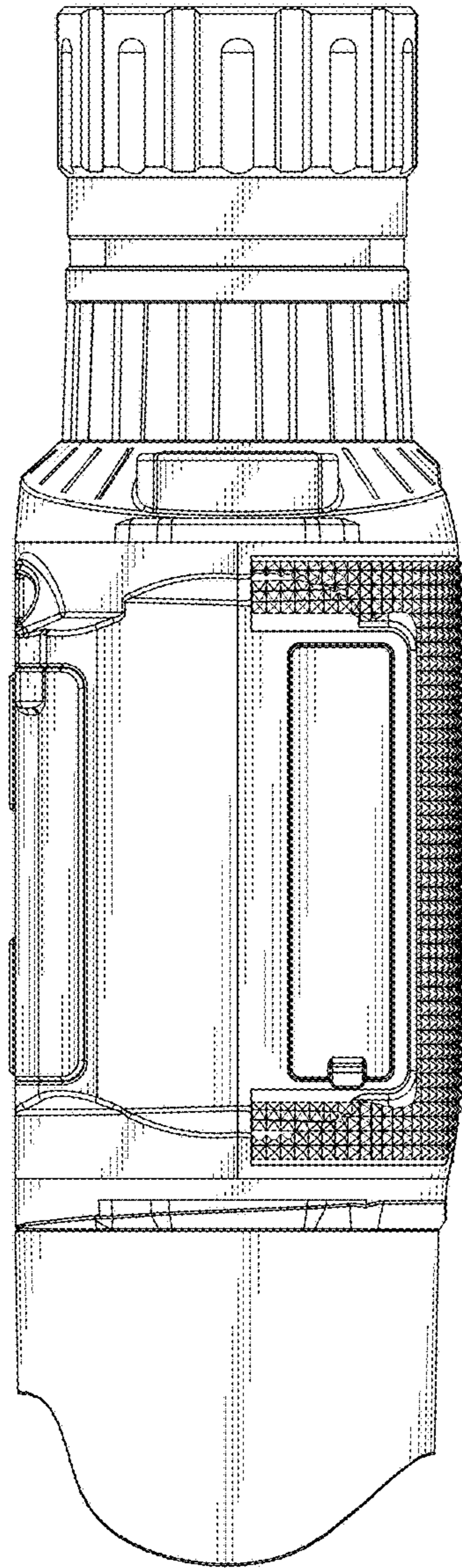


FIG. 5

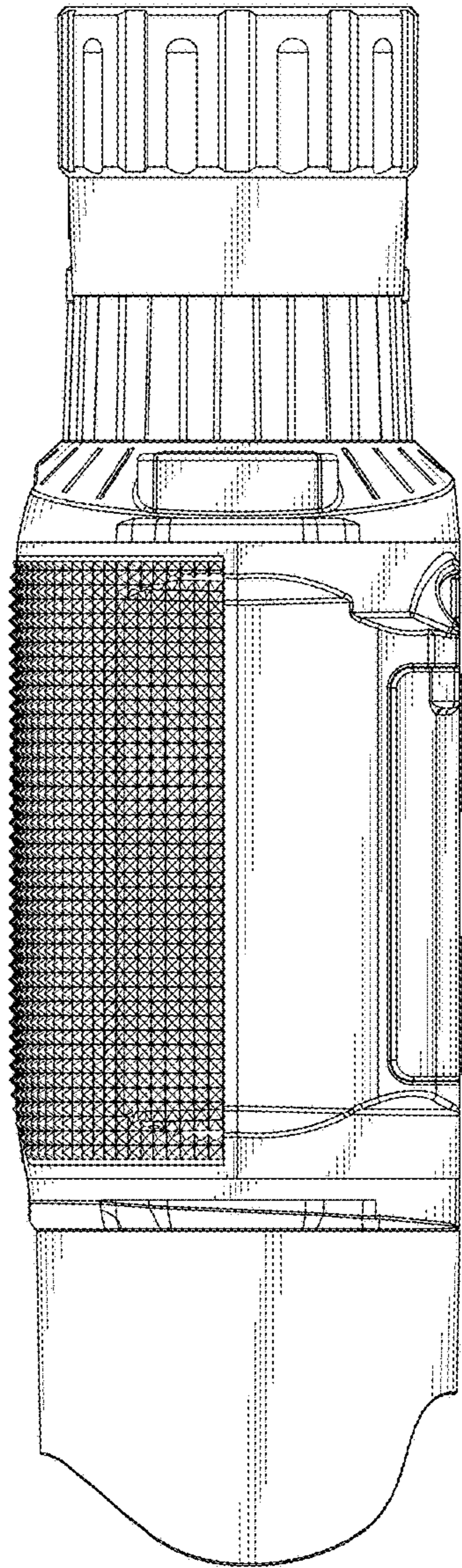


FIG. 6

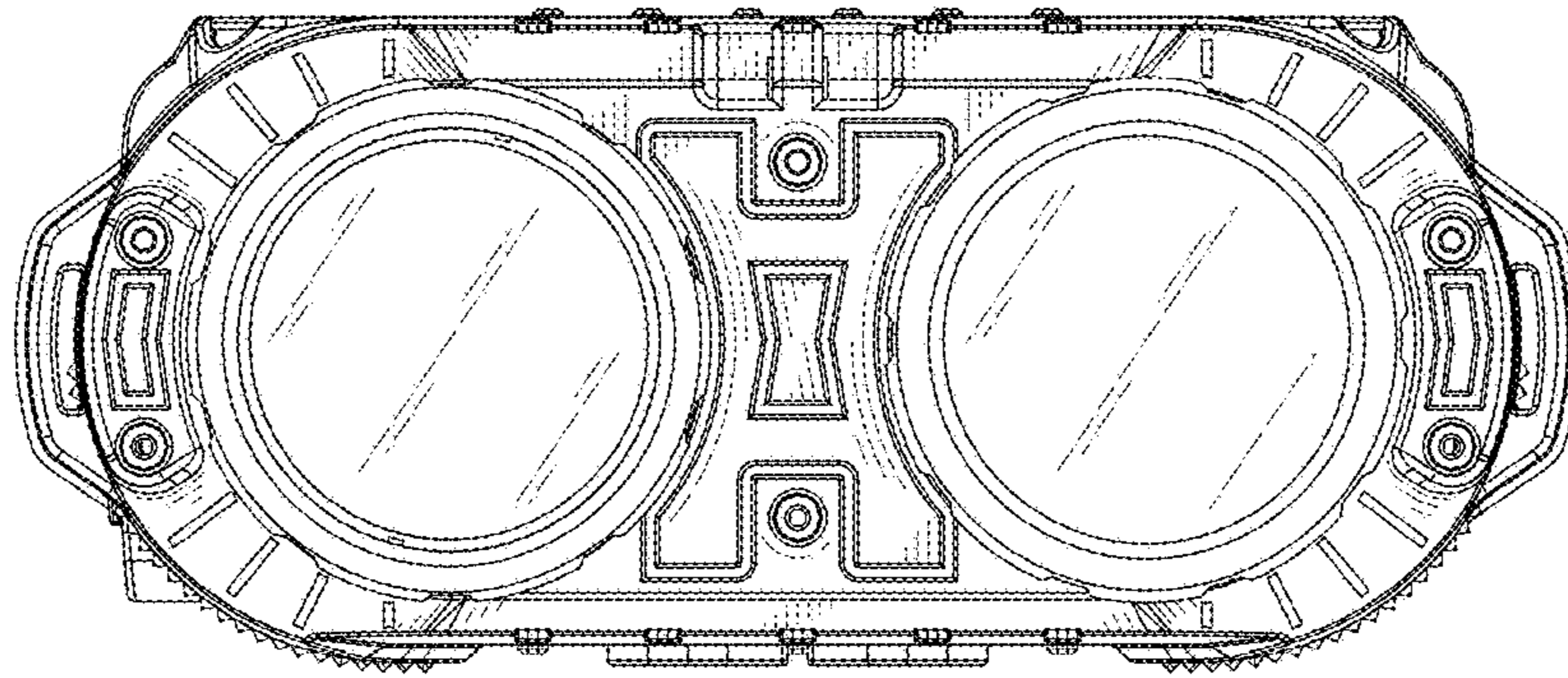


FIG. 7

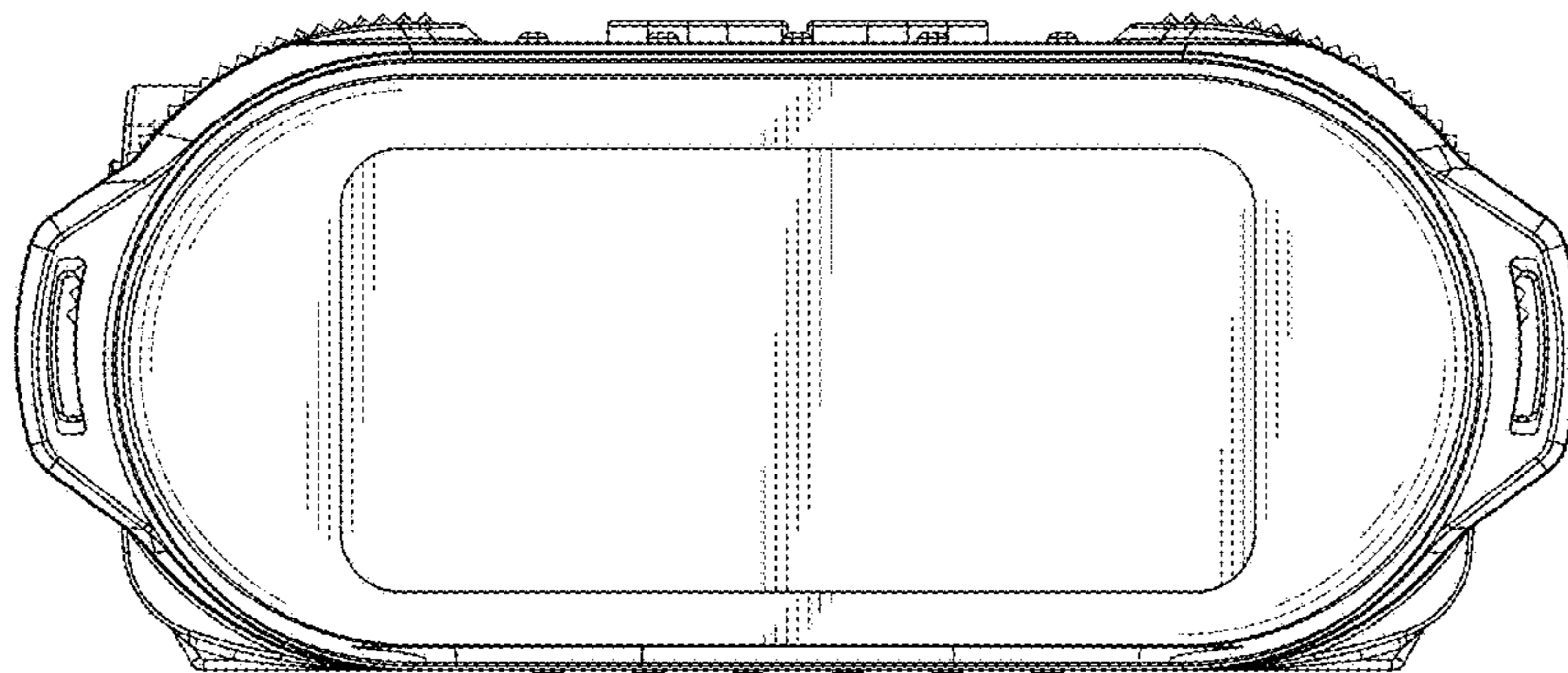


FIG. 8

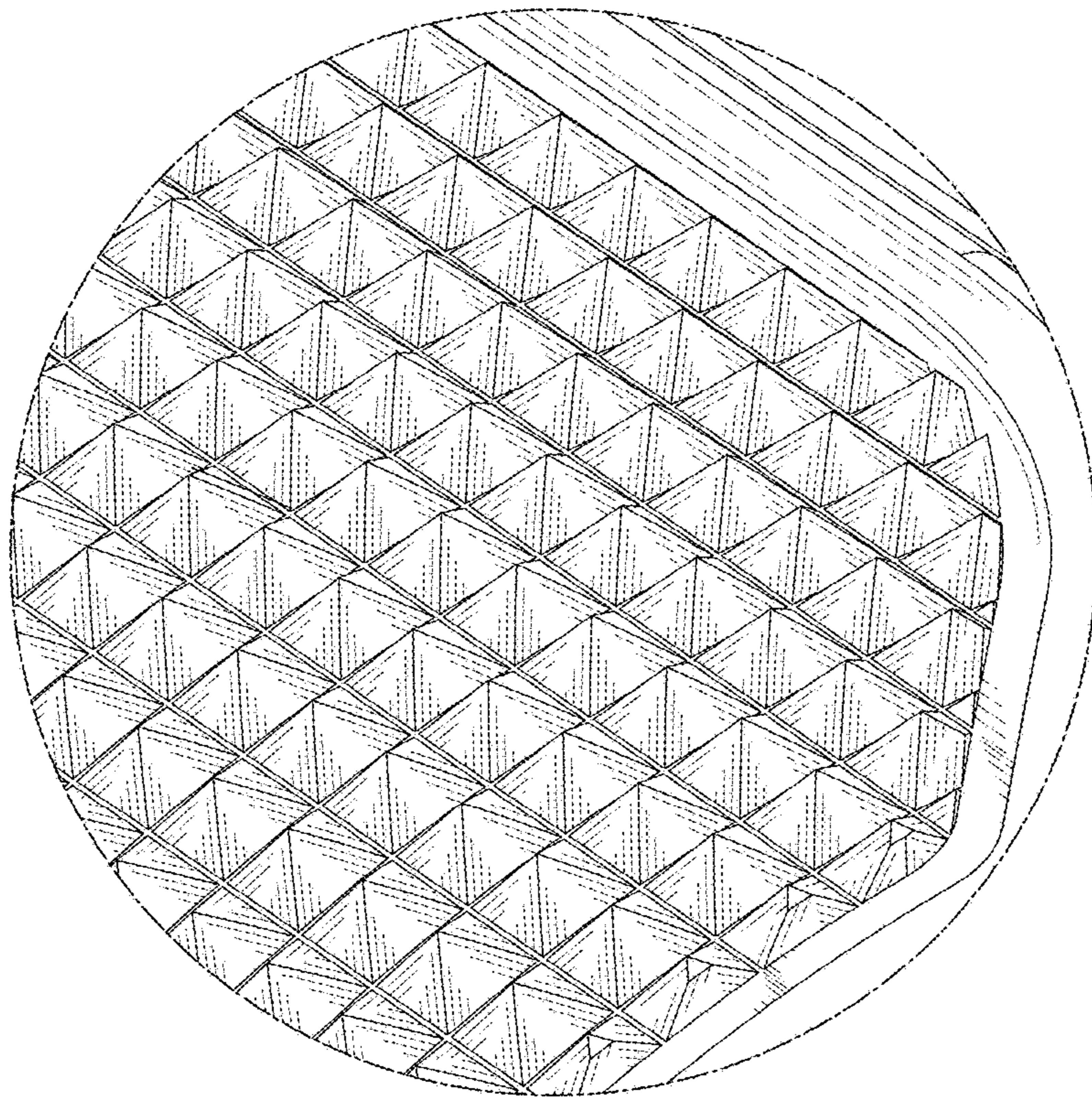


FIG. 9